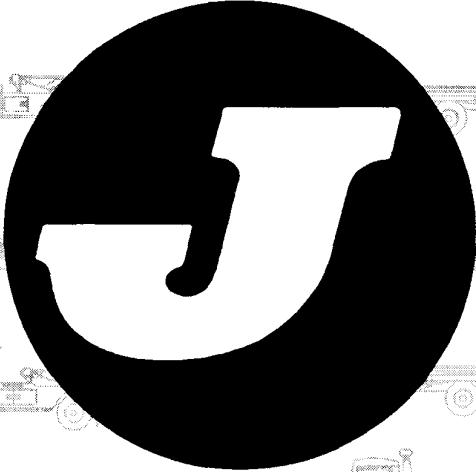


\$35.00



**MDL280/110**  
**MDL320/110**

**OPERATIONS, MAINTENANCE,  
AND PARTS MANUAL**



**JERR-DAN<sup>®</sup>**  
**CORP.**

1080 Hykes Road  
Greencastle, PA 17225

Phone (717) 597-7111

AE-AA

Part Number 5-376-000051  
Rev. 0

---

**WHEEL LIFT SYSTEM  
PARTS**

Subframe Installation ..... B-2

Under Lift Boom Installation ..... B-6

Under Lift Boom Assembly ..... B-10

Manual Spade Assembly ..... B-13

Hydraulic Spade Assembly ..... B-14

Wheel Lift Tilt Cylinder ..... B-17

Wheel Lift Lift Cylinder ..... B-18

Wheel Lift Extension Cylinder ..... B-21

Spade Cylinder ..... B-22

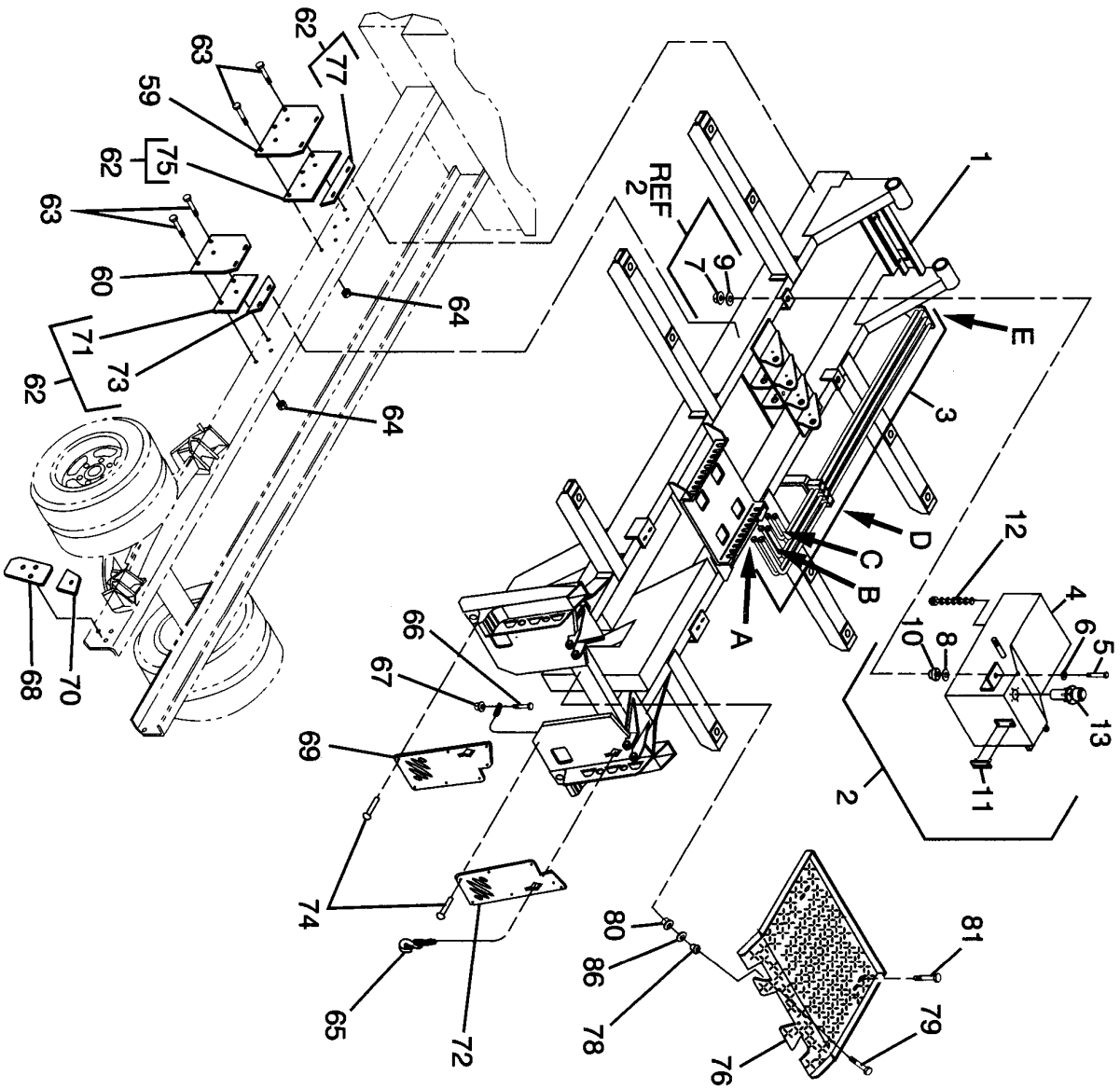
**PARTS LIST — SUBFRAME INSTALLATION**

Ref. No.	Part No.	Description	Qty.	Ref. No.	Part No.	Description	Qty.
1	3868000189	Subframe Weld	1	47	7274000008	Clamp	10
2	2504650005	Hydraulic Tank Assy	1	48	7274000007	Clamp	5
3	3912000013	Tube Assy Subframe	1	49	7115140850	Capscrew	10
4	3750000027	Weldment Hydraulic Tank	1	50	7950140152	Washer	10
5	7115181850	Capscrew	4	51	7660142601	Locknut	10
6	7950180141	Flatwasher	4	52	4062000207	Bar Hyd Line Supp	5
7	7660182601	Locknut	4	53	7115181050	Capscrew	4
8	7949000015	Washer	4	54	7950180000	Lockwasher	4
9	7949000016	Washer	4	55	7724000024	Pump	1
10	7636000006	Mount Center Bonded	4	56	7567162046	Hose Assy	1
11	7470000003	Gauge	1	57	7567162054	Hose Assy	1
12	7701000025	Plug	1	58	7444000860	Elbow	2
13	7183000002	Assy Weatherproof Breather Cap	1	59	4706002918	Plate	2
14	7912000113	Tube Assy	1	60	4706002919	Plate	2
15	7912000114	Tube Assy	1	62	3577000053	Kit Shim 14T Wrecker Install	1
16	7912000115	Tube Assy	1	63	7118201616	Capscrew	22
17	7912000116	Tube Assy	1	64	7660202308	Locknut	2
18	7912000117	Tube Assy	1	65	7262000033	Chain Assy	2
19	7912000118	Tube Assy	1	66	7115161050	Capscrew	2
20	7445081045	Elbow	2	67	7660162301	Locknut	2
21	7443000240	Fitting	2	68*	4706002921	Plate .125	2
22	7445061045	Elbow	1		4706002922	Plate .25	
23	7443000231	Fitting	1	69	4706003003	Plate	1
24	7445080825	Union Bulkhead	4	70*	4706002923	Plate .38	2
25	7445060625	Fitting Union Bulkhead	2	71*	4706002925	Plate .125	2
26	7274000061	Clamp Assy	1		4706002926	Plate .25	
27	7274000062	Clamp Assy	2	72	4706003007	Plate	1
28	7443000241	Fitting, Reducer	1	73*	4706002927	Plate .125	2
29	7650120140	Nipple	1		4706002928	Plate .25	
30	7935000116	Valve	1	74	7759000012	Rivet	14
31	7444121271	Elbow	1	75*	4706002929	Plate .125	2
32	7443000254	Fitting	2		4706002930	Plate .25	
33	7274000028	Clamp Suction Hose	2	76	4707000138	Plate	1
34	8565000026	Hose	1	77*	4706002931	Plate .125	2
35	7445242403	Adapter	1		4706002932	Plate .25	
36	7444161251	Adapter	1	78	7636000014	Rubber Mount	2
37	7445081645	Elbow	2	79	7114161618	Capscrew	2
38	7443000158	Elbow	2	80	7660162601	Locknut	2
39	4567132156	Hose Assy	2	81	7114161018	Capscrew	4
40	7445081243	Adapter	2	82	7431000003	Oil Filter	2
41	7445121243	Adapter	2	83	7650080245	Nipple	2
42	7470000002	Gauge	2				
43	7445121619	Adapter	2				
44	7430000004	Assy Oil Filter w/ Element	2				
45	7115181250	Capscrew	5				
46	7660000011	Hex Nut	5				

\* Available in Shim Kit #3577000053



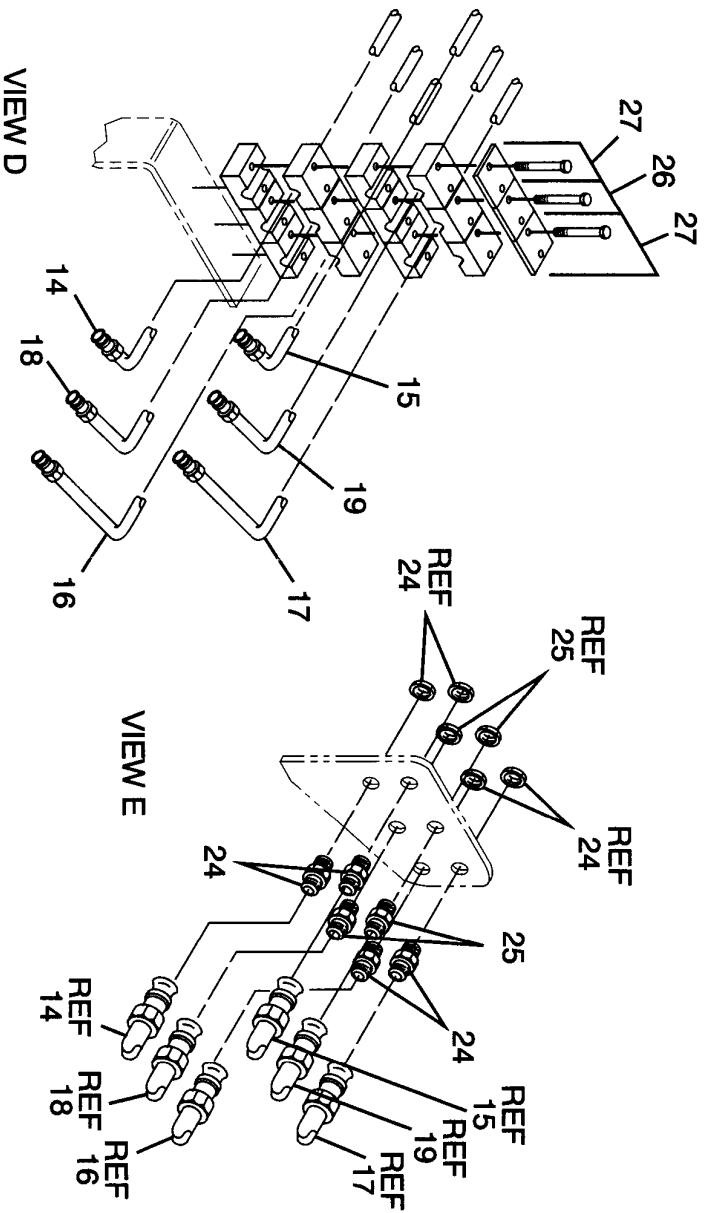
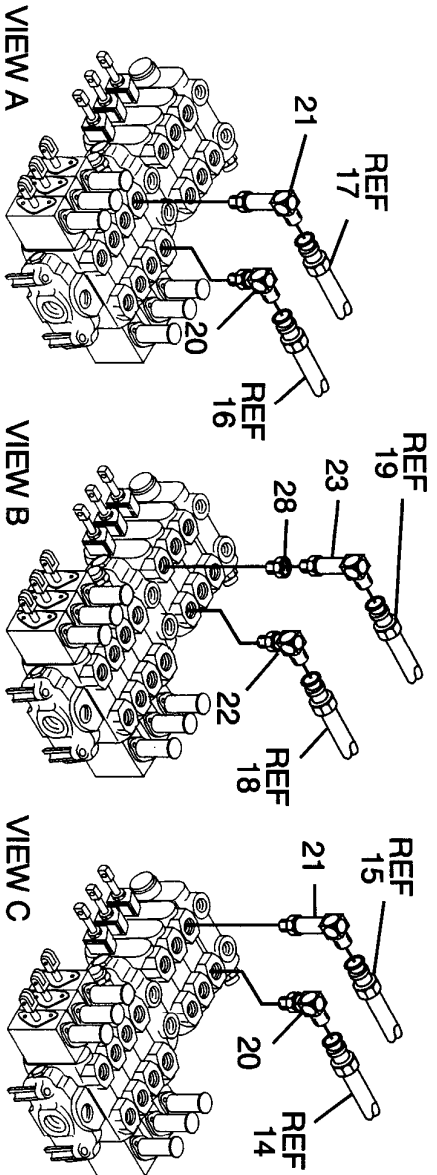
SUBFRAME INSTALLATION



B-3

Rev. \_\_\_\_\_  
Date \_\_\_\_\_

# SUBFRAME INSTALLATION





---

**PARTS LIST — UNDER LIFT BOOM INSTALLATION**

<b>Ref. No.</b>	<b>Part No.</b>	<b>Description</b>	<b>Qty.</b>
1	3170000188	Boom Assembly 14T Underlift	1
2	3990000003	Yoke and Cylinder Assembly	1
3	3691000177	Pin Weldment	2
4	3691000178	Pin Weldment	1
5	3691000179	Pin Weldment	2
6	3691000180	Pin Weldment	2
7	7754000048	Ring Retaining	5
8	7115163250	Capscrew	2
9	7660162601	Locknut	2
10	7440030000	Grease Fitting	7
11	3320000079	Cylinder Assembly "379"	1
12	3990000002	Yoke Weldment	1
13	7660342031	Nut	1

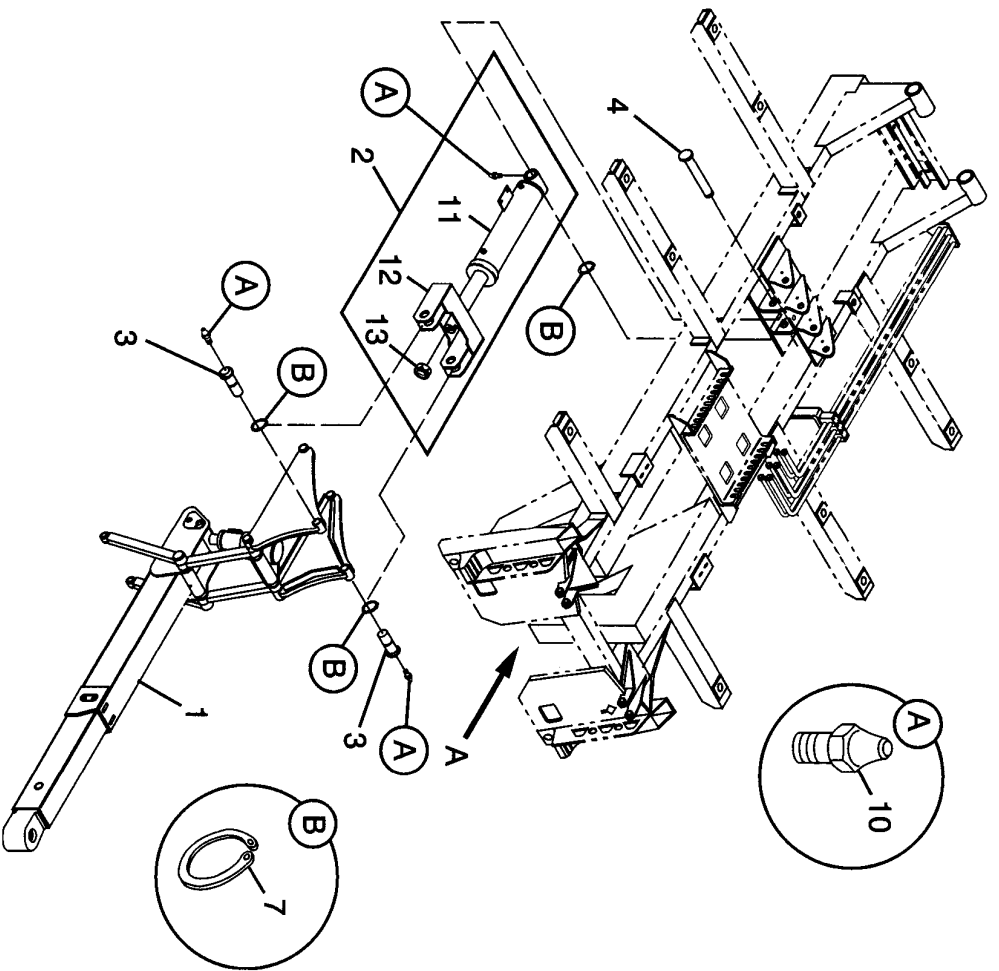


B-6

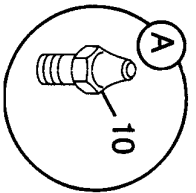
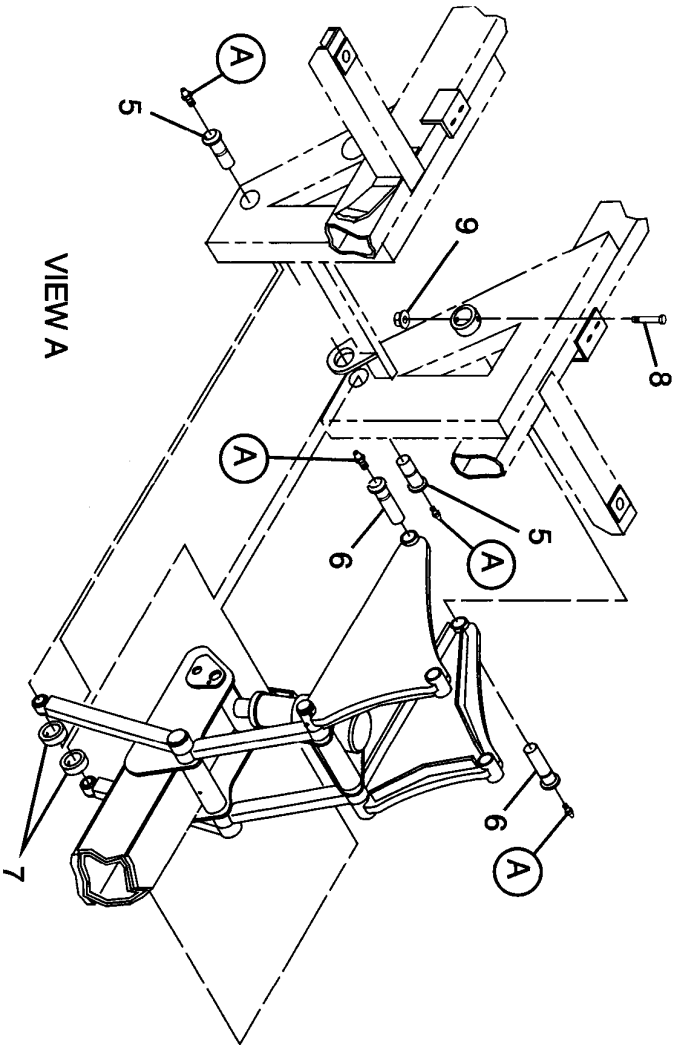
Rev. \_\_\_\_\_

Date \_\_\_\_\_

UNDER LIFT BOOM INSTALLATION



UNDER LIFT BOOM INSTALLATION



**PARTS LIST — UNDERLIFT BOOM ASSEMBLY**

Ref. No.	Part No.	Description	Qty.
1	3170000186	Boom Weld Outer Tube UL	1
2	3170000187	Boom Weld Inner Tube UL	1
3	3320000078	Cyl. Assembly "378"	1
4	3320000072	Cyl. Assembly "372"	1
5	3020000070	Arm Weld LH	1
6	3020000071	Arm Weld RH	1
7	3020000068	Arm Weld Link	2
8	3020000069	Arm Weld Link	2
9	4691000054	Pin	1
10	4949000019	Washer	2
11	4949000018	Washer	2
12	3691000172	Pin Weld	1
13	4691000329	Pin	1
14	4691000330	Pin	1
15	4679000175	Pad	2
16	7950140000	Lockwasher	4
17	4679000173	Pad	1
18	7754000062	Ring Retaining	2
19	7754000017	Ring Retaining	2
20	7754000018	Ring Retaining	2
21	7754000006	Ring Retaining	2
22	7115183250	Capscrew	1
23	7660182600	Locknut	1
24	4679000174	Pad	2
25	7950150000	Washer	4
26	7118140423	Capscrew	4
27	7440030000	Grease Fitting	19
28	7118140527	Capscrew	4
29	7118151424	Capscrew	1
30	7950140161	Flatwasher	4
31	7105150450	Capscrew	4
32	4691000197	Pin	1
33	7115183650	Capscrew	1
34	7660182601	Locknut	1
35	4831000071	Spacer	2
36	7209000037	Bushing	6
37	7209000028	Connex Bushing	1

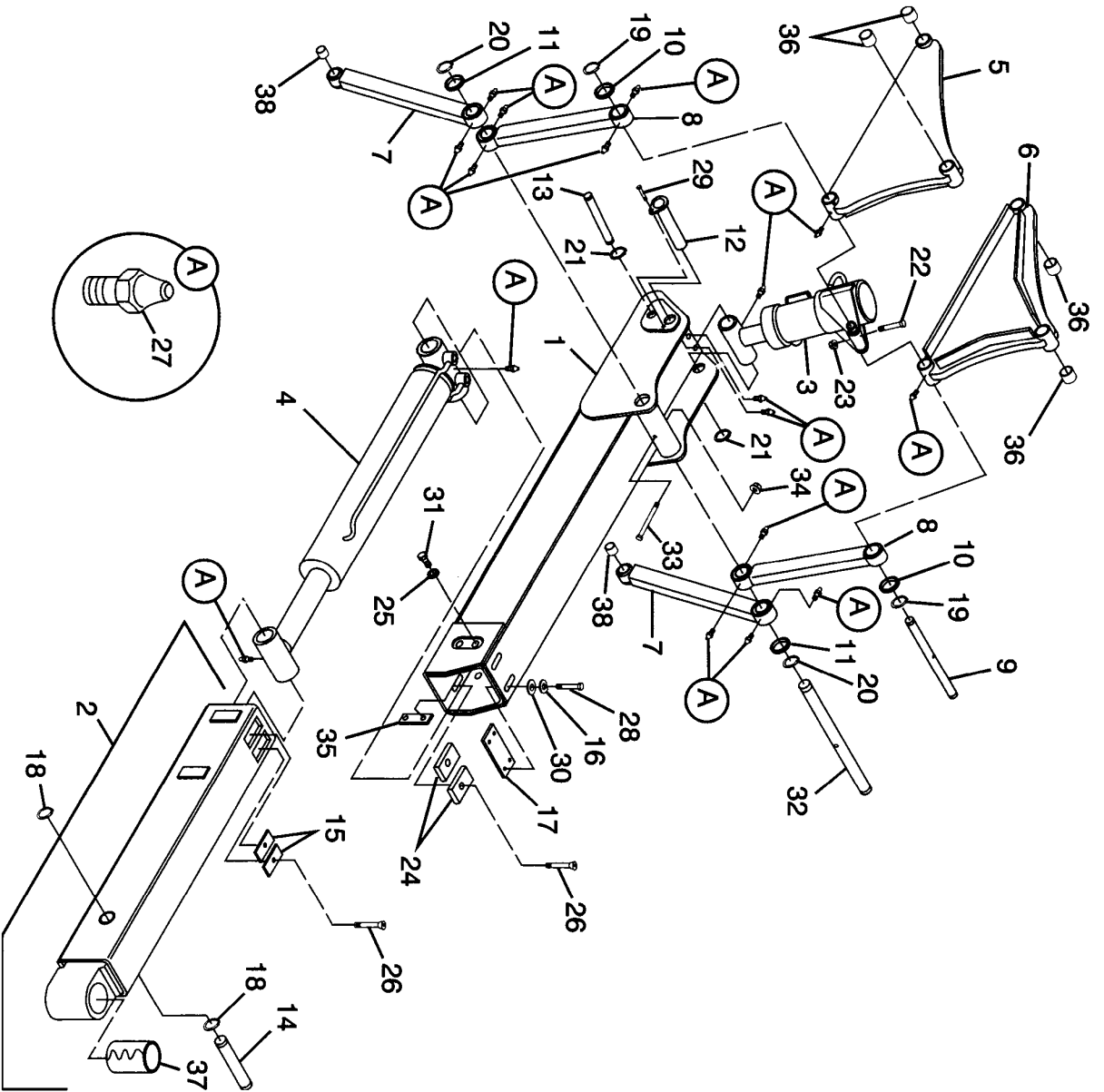


B-10

Rev. \_\_\_\_\_

Date \_\_\_\_\_

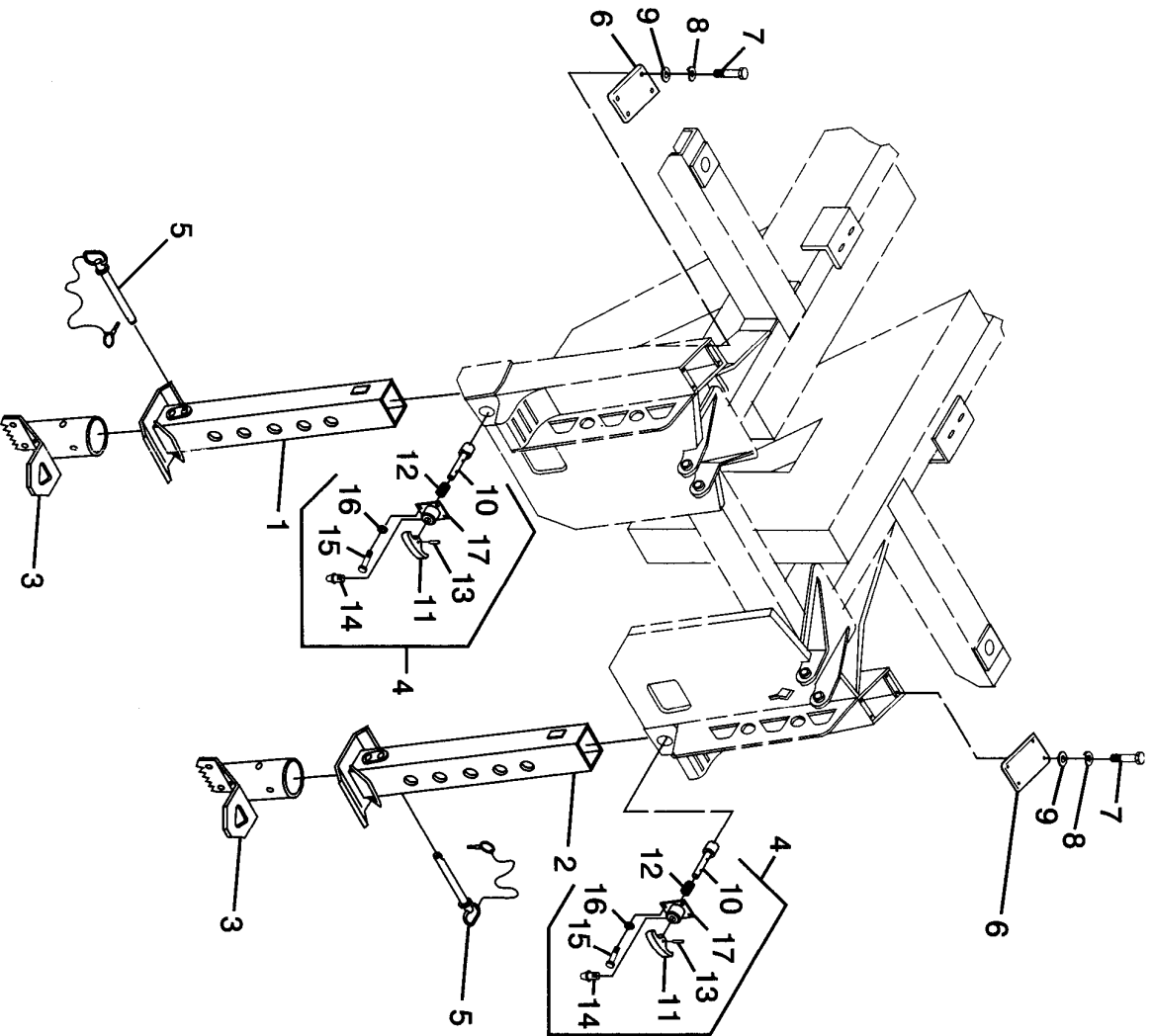
UNDER LIFT BOOM ASSEMBLY



B-11

Rev. \_\_\_\_\_  
Date \_\_\_\_\_

MANUAL SPADE ASSEMBLY



B-12



Rev. \_\_\_\_\_  
Date \_\_\_\_\_

---

**PARTS LIST — MANUAL SPADE ASSEMBLY**

<b>Ref. No.</b>	<b>Part No.</b>	<b>Description</b>	<b>Qty.</b>
1	3913000065	Tube Weld Spade LH	1
2	3913000066	Tube Weld Spade RH	1
3	3706000142	Plate Weldment Spade Claw	2
4	3551000050	Handle Assembly Plunger	2
5	7691000031	Pin, Hitch	2
6	4706002887	Plate	2
7	7114140518	Capscrew	8
8	7950140000	Lockwasher	8
9	7950140141	Flatwasher	8
10	4691000342	Pin	2
11	4551000012	Handle	2
12	7843000024	Spring	2
13	7690081645	Pin, Spring	4
14	7440030000	Grease Fitting	2
15	7114140518	Capscrew	8
16	7950140000	Lockwasher	8
17	3691000183	Weldment Pin	2



B-13

Rev. \_\_\_\_\_

Date \_\_\_\_\_

**PARTS LIST — HYDRAULIC SPADE ASSEMBLY**

<b>Ref. No.</b>	<b>Part No.</b>	<b>Description</b>	<b>Qty.</b>
1	3913000071	Tube, Weld Spade LH	1
2	3913000072	Tube, Weld Spade RH	1
3	3706000142	Plate Weldment Spade Claw	2
4	4706002992	Plate	2
5	7691000031	Pin, Hitch	2
6	4706002887	Plate	6
7	7114140518	Capscrew	16
8	7950140000	Lockwasher	16
9	7950140141	Flatwasher	8
10	3320000083	Cylinder Assembly "383"	2
11	4691000345	Pin 1.25	2
12	4691000346	Pin 1.25	2
13	7754000062	Ring Internal Retaining	8
14	7253000002	Fitting Cap	4
15	7440030000	Grease Fitting	4

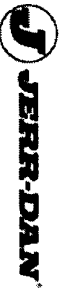
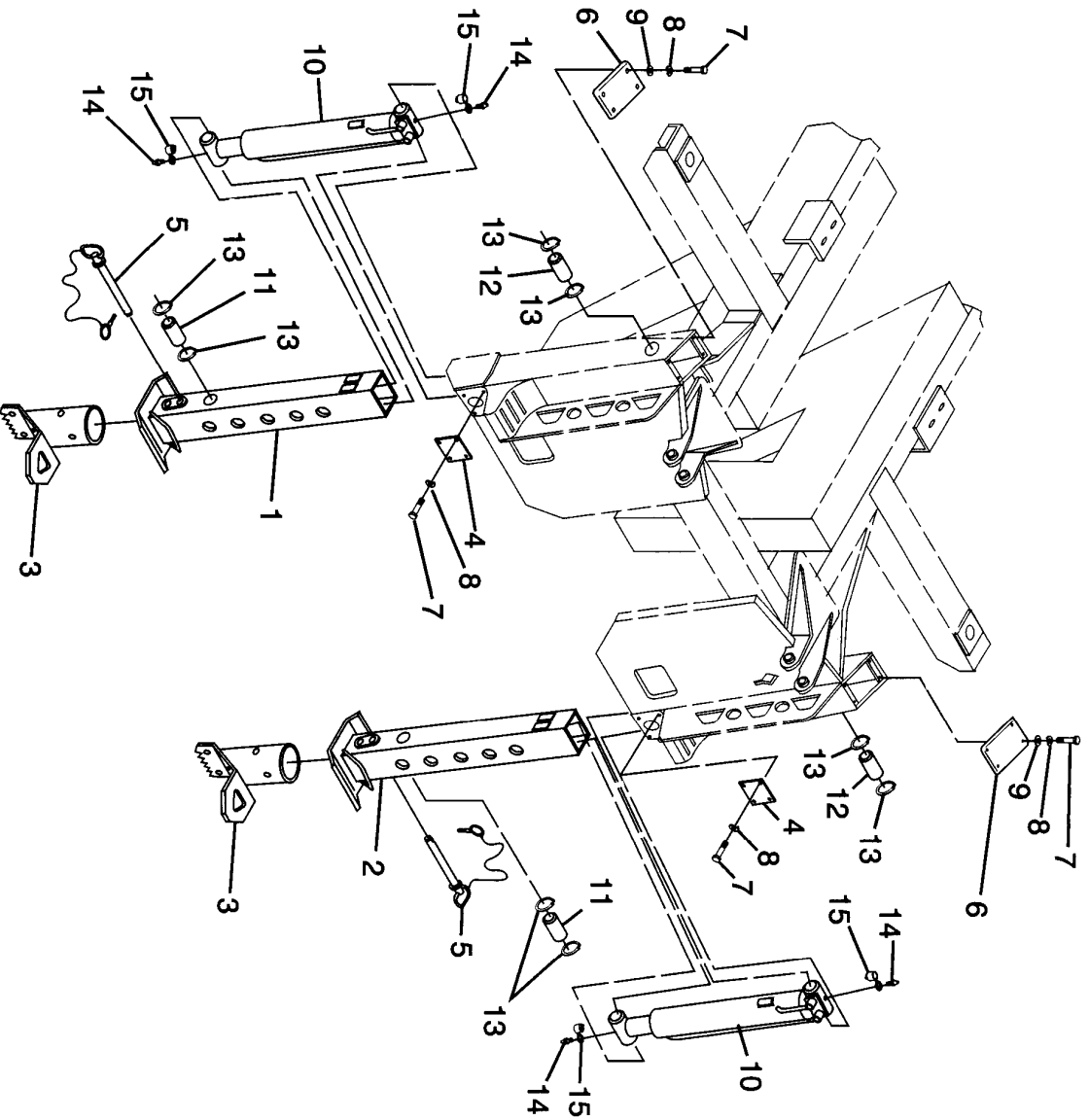


B-14

Rev. \_\_\_\_\_

Date \_\_\_\_\_

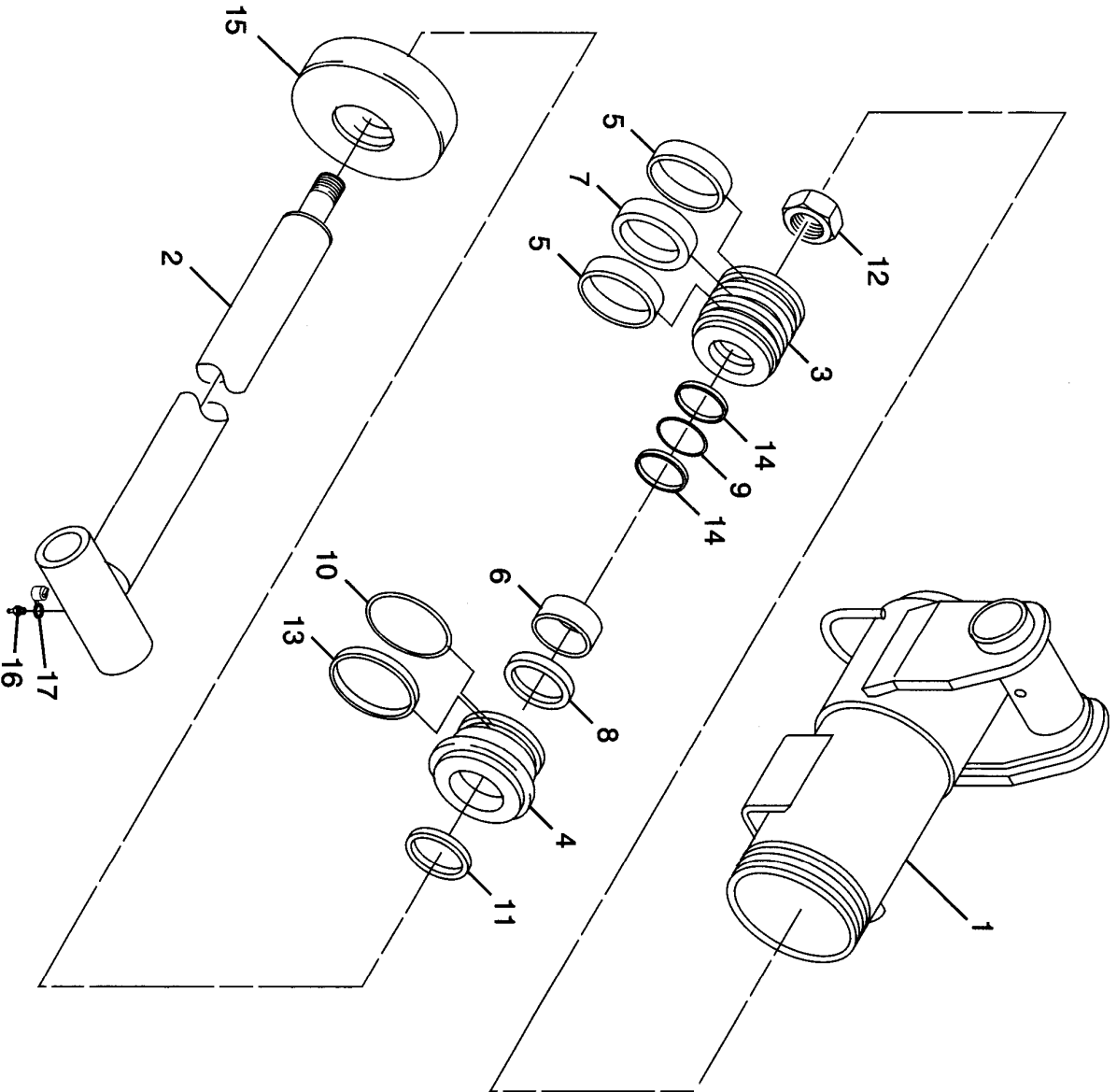
HYDRAULIC SPADE ASSEMBLY



B-15

Rev. \_\_\_\_\_  
Date \_\_\_\_\_

WHEEL LIFT TILT CYLINDER  
3320000078



B-16

Rev. \_\_\_\_\_  
Date \_\_\_\_\_

**PARTS LIST — WHEEL LIFT TILT CYLINDER  
332000078**

<b>Ref. No.</b>	<b>Part No.</b>	<b>Description</b>	<b>Qty.</b>
1	3071000072	Barrel Weldment	1
2	3763000093	Rod Weld	1
3	4698000016	Piston	1
4	4553000017	Head	1
5	7754000031*	Ring Wear	2
6	7754000063*	Ring Piston Wear	1
7	7796000066*	Piston Seal	1
8	7796000058*	Seal Rod	1
9	7755230000*	Ring "O"	1
10	7755354000*	Ring "O"	1
11	7796000059*	Seal Rod Wiper	1
12	7660340531	Nut	1
13	7755354609*	Ring Backup	1
14	7755230609*	Ring Backup	2
15	4254000001	Cap	1
16	7440030000	Grease Fitting	1
17	7253000002	Fitting Cap	1

\*Available only in Service Kit 7577000222.



B-17

Rev. \_\_\_\_\_

Date \_\_\_\_\_

**PARTS LIST — WHEEL LIFT LIFT CYLINDER  
3320000079**

<b>Ref. No.</b>	<b>Part No.</b>	<b>Description</b>	<b>Qty.</b>
1	3071000073	Barrel Weldment	1
2	4763000230	Rod	1
3	4698000014	Piston	1
4	4553000014	Head	1
5	7754000031*	Ring Wear	2
6	7754000012*	Ring Piston Wear	1
7	7796000066*	Piston Seal	1
8	7796000025*	Seal, Rod	1
9	7755226000*	Ring "O"	1
10	7755354000*	Ring "O"	1
11	7796000011*	Seal Rod Wiper	1
12	7660340531	Nut	1
13	7755354609*	Ring, Backup	1
14	7755226609*	Ring, Backup	2
15	4254000001	Cap	1
16	7440030000	Grease Fitting	1
17	7253000002	Fitting Cap	1

\* Available only in Service Kit 7577250091.

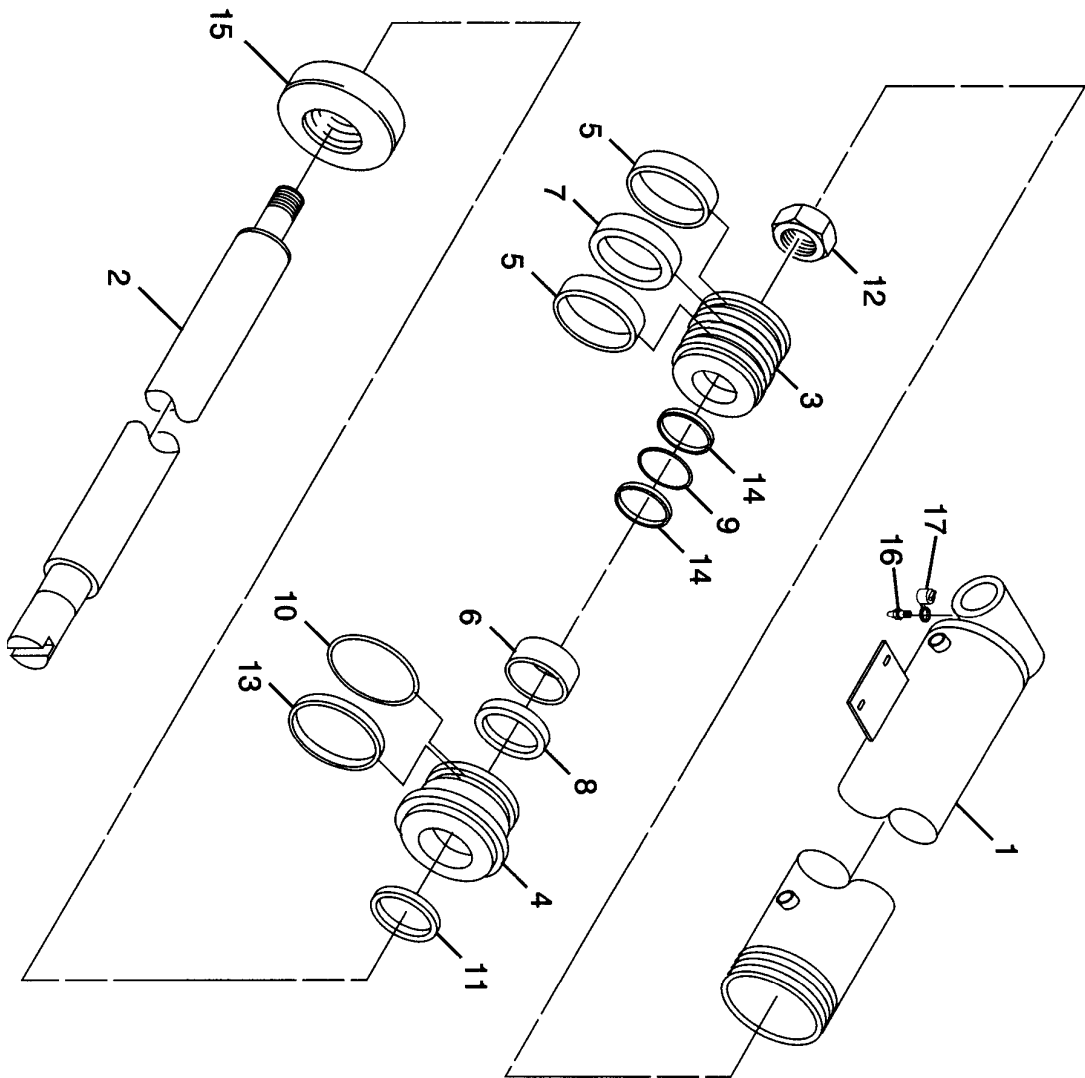


B-18

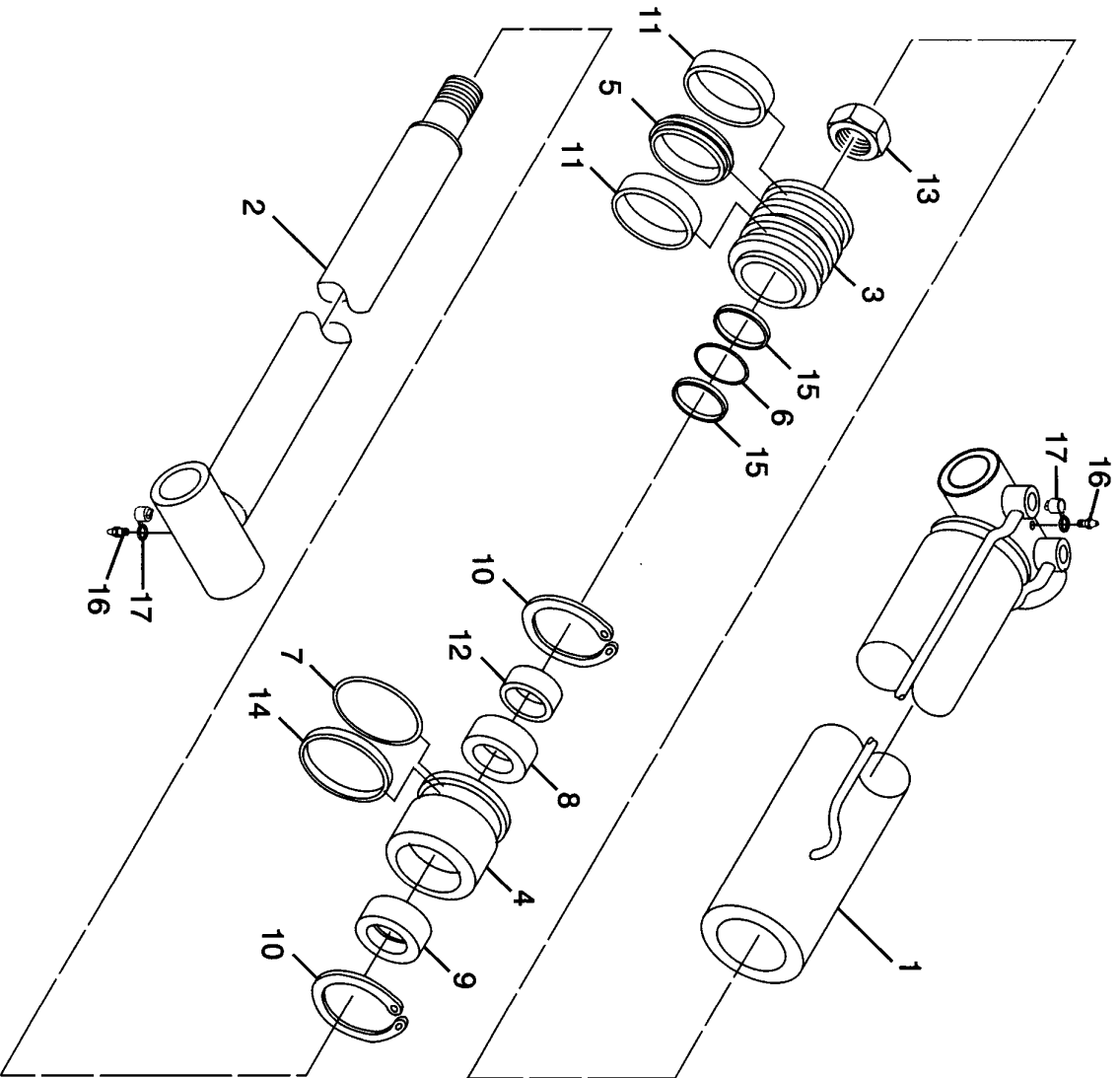
Rev. \_\_\_\_\_

Date \_\_\_\_\_

WHEEL LIFT LIFT CYLINDER  
3320000079



WHEEL LIFT EXTENSION CYLINDER  
3320000072



B-20

Rev. \_\_\_\_\_  
Date \_\_\_\_\_

**PARTS LIST — WHEEL LIFT EXTENSION CYLINDER  
332000072**

<b>Ref. No.</b>	<b>Part No.</b>	<b>Description</b>	<b>Qty.</b>
1	3071000071	Barrel Weld	1
2	3763000089	Rod Weld	1
3	4698000015	Piston	1
4	4553000016	Head	1
5	7796000067*	Seal T-Ring	1
6	7755222000*	O-Ring	1
7	7755330000*	O-Ring	1
8	7796000045*	Seal Rod	1
9	7796000046*	Seal Rod Wiper	1
10	7754000051	Ring Retaining	2
11	7754000053*	Ring Wear	2
12	7754000054*	Ring Wear	1
13	7660262031	Nut	1
14	7755330609*	Ring Backup	1
15	7755222609*	Ring Backup	2
16	7440030000	Grease Fitting	2
17	7253000002	Fitting Cap	2

\* Available only in Service Kit 7577250206.



B-21

Rev. \_\_\_\_\_

Date \_\_\_\_\_

**PARTS LIST — SPADE CYLINDER**  
**7330000083**

<b>Ref. No.</b>	<b>Part No.</b>	<b>Description</b>	<b>Qty.</b>
1	3071000077	Weld, Barrel	1
2	3763000096	Weld, Rod	1
3	4698000015	Piston, Cylinder	1
4	4553000016	Head Cylinder	1
5	7754000053*	Ring, Wear	2
6	7754000054*	Ring, Wear	1
7	7796000067*	Seal, T-Ring	1
8	7796000045*	Seal, Rod	1
9	7755222000*	Ring, "O"	1
10	7755330000*	Ring, "O"	1
11	7796000046*	Seal, Rod Wiper	1
12	7754000051	Ring, Retaining	2
13	7660262031	Nut, Hex	1
14	7253000002	Fitting	2
15	7440030000	Grease Fitting	2
16	7755330609*	Ring Backup	1
17	7755222609*	Ring Backup	2

\* Available only in Service Kit 7577250206.

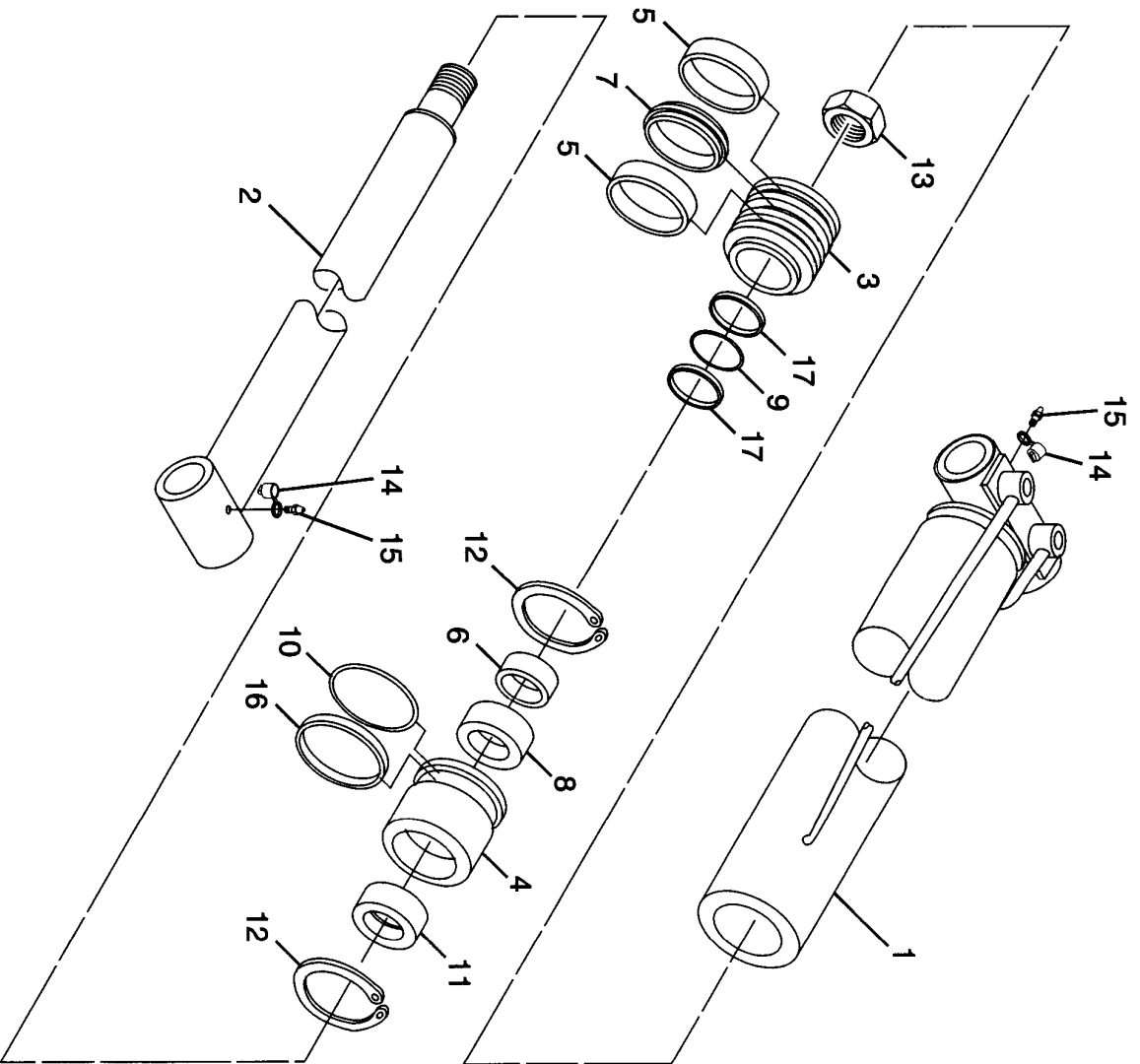


B-22

Rev. \_\_\_\_\_

Date \_\_\_\_\_

SPADE CYLINDER  
733000083



---

## BODY PARTS

Body Panel Assembly Low Profile .....	C-2
Body Assembly Low Profile 108" CA .....	C-5
Body Assembly Low Profile 120" CA .....	C-6
Body Assembly Low Profile 138" CA .....	C-9
Body Assembly Low Profile 150" CA .....	C-10
Tunnel Toolbox – 30" .....	C-13
Tunnel Toolbox – 49" .....	C-14
Tunnel Toolbox – 60" .....	C-18
Mud Flaps .....	C-22
Headboard/Light Pylon 30" Toolbox .....	C-25
Headboard/Light Pylon 49" & 60" .....	C-26
Headboard/Light Pylon & Wiring .....	C-29
Controls & Valves Installation with Manual Spades .....	C-30
Controls & Valves Installation with Hydraulic Spades .....	C-36
Electrical Assembly Single Control .....	C-42
Dolly Bracket Installation .....	C-45

---

**PARTS LIST — BODY PANEL ASSEMBLY LOW PROFILE**

<b>Ref. No.</b>	<b>Part No.</b>	<b>Description</b>	<b>Qty.</b>
1	3504080001	Body Bondment LH	1
2	7686000041	Panel Composite – Front Cap LH	1
3	7686000047	Panel Composite – Side LH	1
4	7686000045	Panel Composite – Taillight LH	1
5	7686000016	Panel Composite – LH Logo	1
6	7686000043	Panel Composite – Rear Cap LH	1
7	7189000015	Bumper	10
8	4679000120	Pad	30
9	7790141251	Screw	36
10	7949000022	Washer	54
11	4636000031	Rubber Mount	48
12	7790142051	Screw	60
12*	7790141651	Screw	
13	4679000122	Pad	8
13*	4679000121	Pad	
14	4636000033	Tapered Rubber Mnt	6
15	4691000245	Pin	6
16	7950160161	Flatwasher	6
17	7660160001	Nut	6
18	7950160000	Lockwasher	6
19	7632046022	Moulding	2
20	3504080002	Body Bondment RH	1
21	7686000042	Panel Composite – Front Cap RH	1
22	7686000048	Panel Composite – Side RH	1
23	7686000046	Panel Composite – Taillight RH	1
24	7686000015	Panel Composite – RH Logo	1
25	7686000044	Panel Composite – Rear Cap RH	1

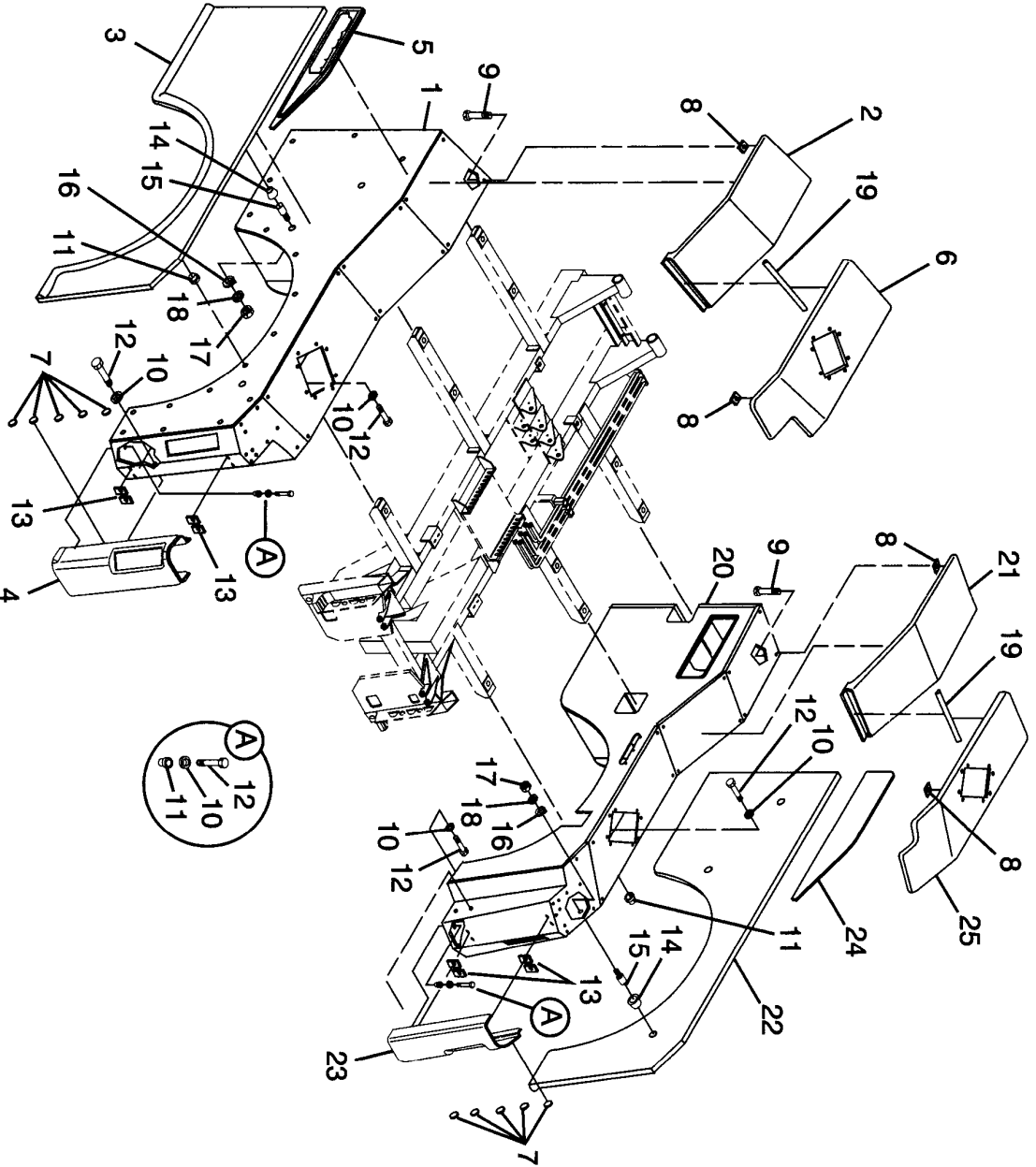


C-2

Rev. \_\_\_\_\_

Date \_\_\_\_\_

PARTS LIST — BODY PANEL ASSEMBLY LOW PROFILE



C-3

Rev. \_\_\_\_\_  
Date \_\_\_\_\_



---

**PARTS LIST — BODY ASSEMBLY LOW PROFILE 108" CA**

<b>Ref. No.</b>	<b>Part No.</b>	<b>Description</b>	<b>Qty.</b>
1	3097000245	R.H. Body Panel Assy	1
2	3097000244	L.H. Body Panel Assy	1
3	3504740020	49" Toolbox Assy	1
4	7115202850	Capscrew	14
5	7950200161	Flatwasher	10
6	7636000008	Mount	14
7	7949000020	Washer	10
8	7660200001	Nut	10
9	7949000019	Washer	10
10	3455000029	Mount	1
11	7115181650	Capscrew	4
12	7950180252	Flatwasher	4
13	7660182301	Locknut	4
14	3274000014	Clamp Weldment	4
15	7660220001	Nut	4
16	7950220161	Flatwasher	8



C-5

Rev. \_\_\_\_\_

Date \_\_\_\_\_

---

**PARTS LIST — BODY ASSEMBLY LOW PROFILE 120" CA**

<b>Ref. No.</b>	<b>Part No.</b>	<b>Description</b>	<b>Qty.</b>
1	3097000245	R.H. Body Panel Assy	1
2	3097000244	L.H. Body Panel Assy	1
3	3504740021	60" Toolbox Assy.	1
4	7115202850	Capscrew	14
5	7950200161	Flatwasher	10
6	7636000008	Mount	14
7	7949000020	Washer	10
8	7660200001	Nut	10
9	7949000019	Washer	10
10	3455000030	Mount	1
12	7115181650	Capscrew	4
13	7950180252	Flatwasher	4
14	7660182301	Locknut	4
15	3274000014	Clamp Weldment	4
16	7660220001	Nut	4
17	7950220161	Flatwasher	8

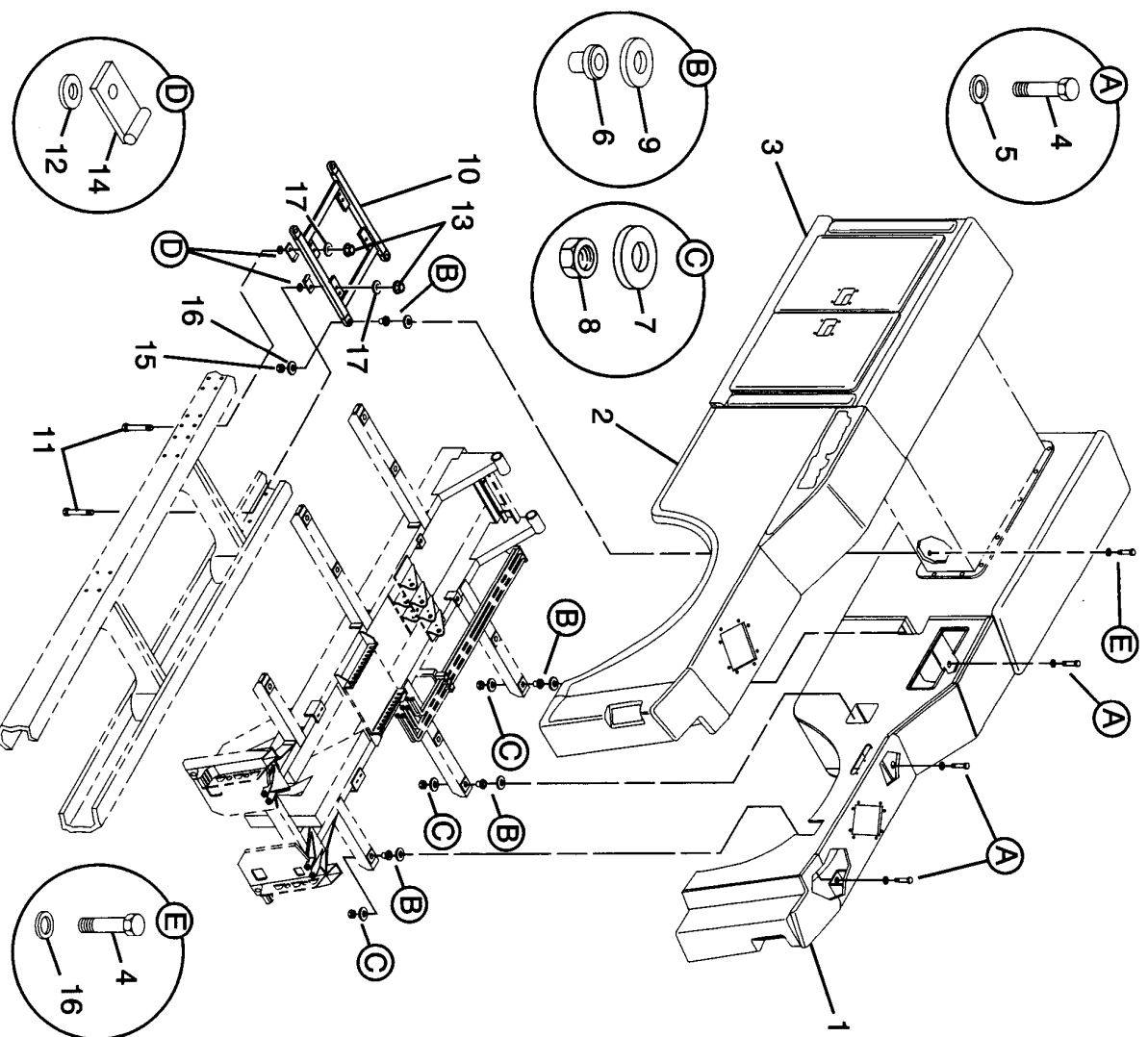


C-6

Rev. \_\_\_\_\_

Date \_\_\_\_\_

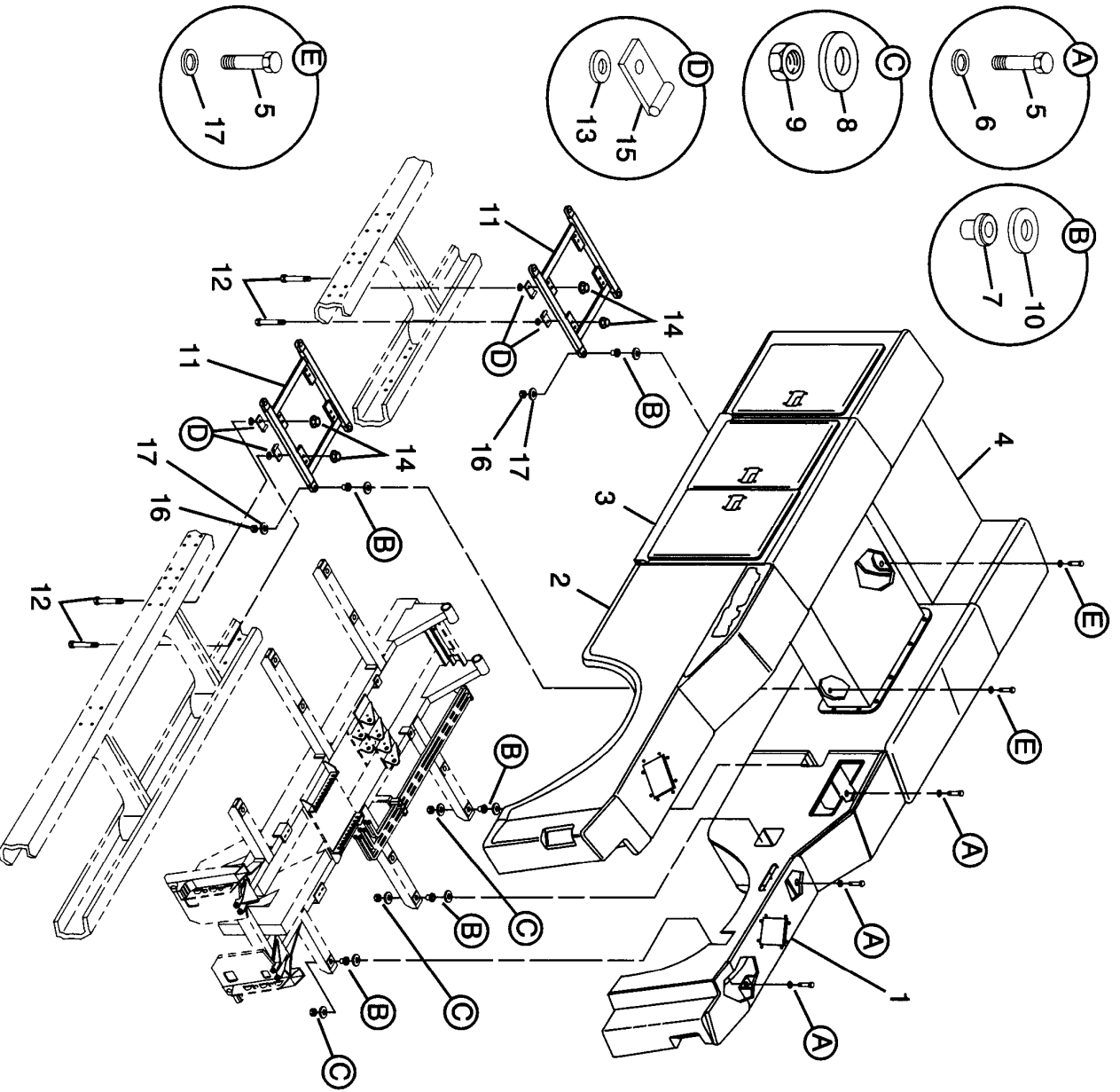
BODY ASSEMBLY LOW PROFILE 120" CA



C-7

Rev. \_\_\_\_\_  
Date \_\_\_\_\_

BODY ASSEMBLY LOW PROFILE 138" CA



C-8



Rev. \_\_\_\_\_  
Date \_\_\_\_\_

---

**PARTS LIST — BODY ASSEMBLY LOW PROFILE 138" CA**

<b>Ref. No.</b>	<b>Part No.</b>	<b>Description</b>	<b>Qty.</b>
1	3097000245	R.H. Body Panel Assy	1
2	3097000244	L.H. Body Panel Assy	1
3	3504740020	49" Toolbox Assy	1
4	3504740019	30" Toolbox Assy	1
5	7115202850	Capscrew	18
6	7950200161	Flatwasher	10
7	7636000008	Mount	18
8	7949000020	Washer	10
9	7660200001	Nut	10
10	7949000019	Washer	10
11	3455000029	Mount	2
12	7115181650	Capscrew	8
13	7950180252	Flatwasher	8
14	7660182301	Locknut	8
15	3274000014	Clamp Weldment	8
16	7660220001	Nut	8
17	7950220161	Flatwasher	16



C-9

Rev. \_\_\_\_\_

Date \_\_\_\_\_

**PARTS LIST — BODY ASSEMBLY LOW PROFILE 150" CA**

<b>Ref. No.</b>	<b>Part No.</b>	<b>Description</b>	<b>Qty.</b>
1	3097000245	R.H. Body Panel Assy	1
2	3097000244	L.H. Body Panel Assy	1
3	3504740021	60" Toolbox Assy	1
4	3504740019	30" Toolbox Assy	1
5	7115202850	Capscrew	18
6	7950200161	Flatwasher	10
7	7636000008	Mount	18
8	7949000020	Washer	10
9	7660200001	Nut	10
10	7949000019	Washer	10
11	3455000029	Mount	1
12	7115181650	Capscrew	8
13	7950180252	Flatwasher	8
14	7660182301	Locknut	8
15	3274000014	Clamp Weldment	8
16	7660220001	Nut	8
17	7950220161	Flatwasher	16
18	3455000030	Mount	1

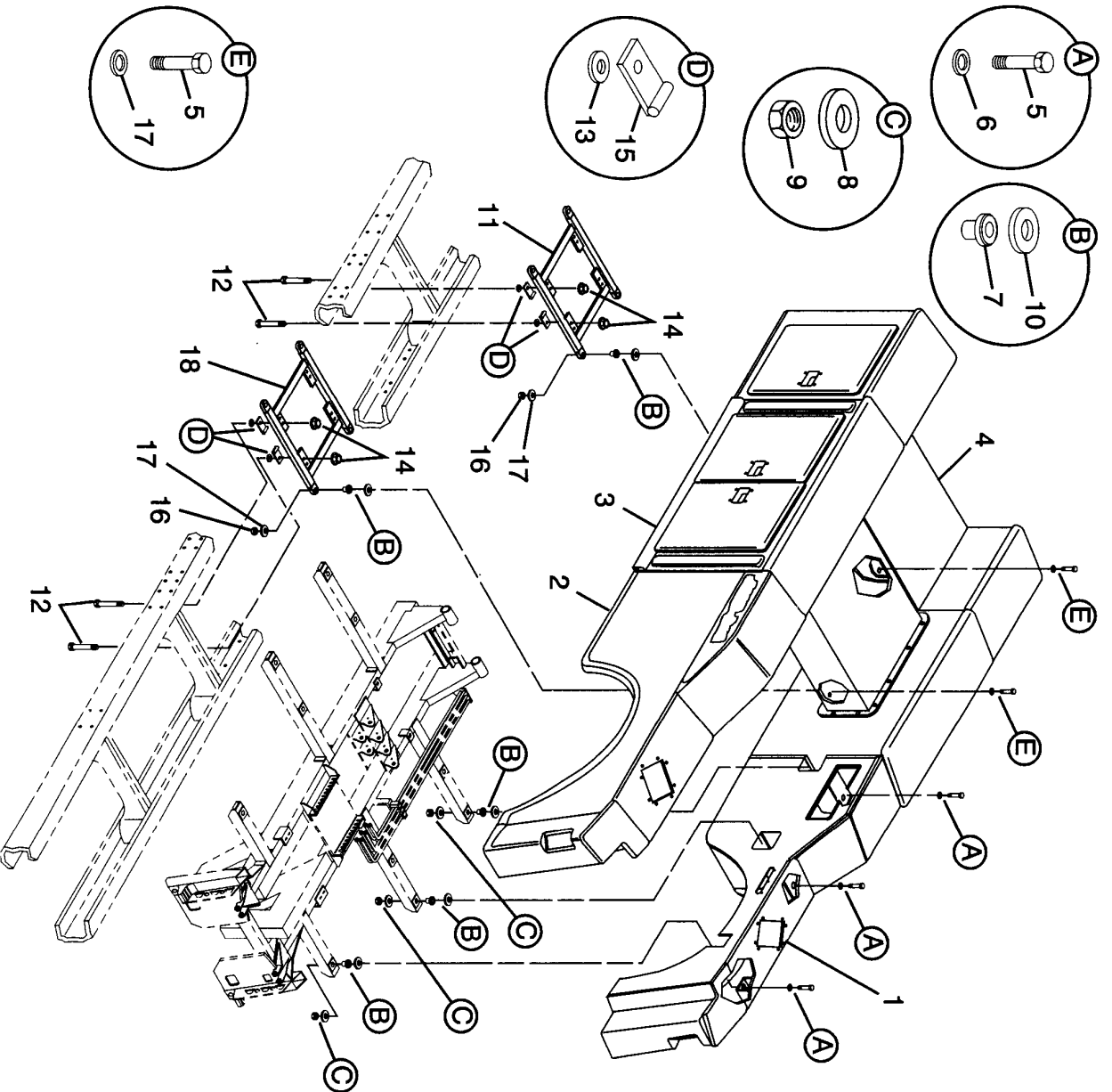


C-10

Rev. \_\_\_\_\_

Date \_\_\_\_\_

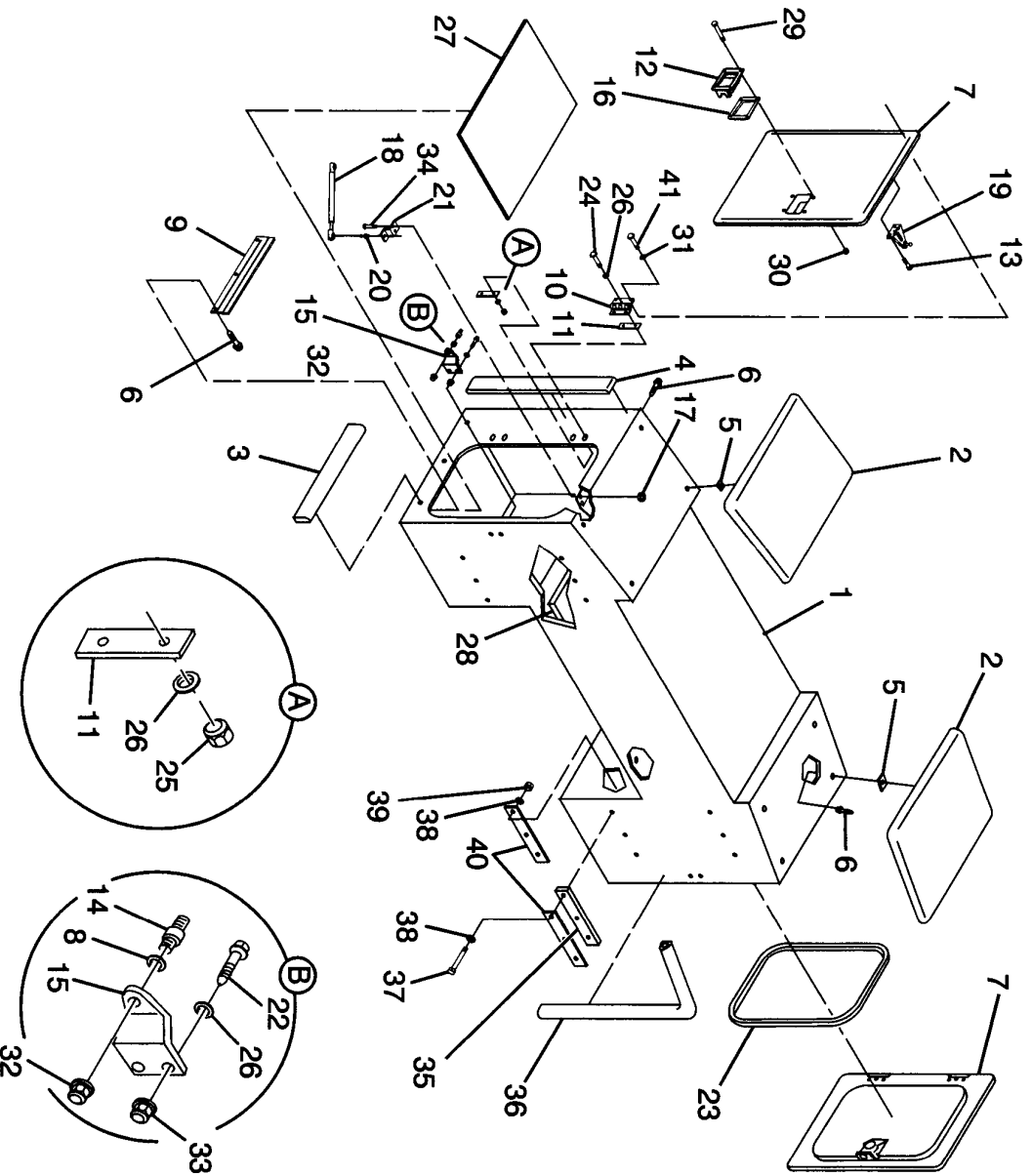
BODY ASSEMBLY LOW PROFILE 150" CA



C-11

Rev. \_\_\_\_\_  
Date \_\_\_\_\_

TUNNEL TOOLBOX - 30"



**PARTS LIST – TUNNEL TOOLBOX – 30"**

<b>Ref. No.</b>	<b>Part No.</b>	<b>Description</b>	<b>Qty.</b>
1	3504740003	Toolbox Tunnel Bondment	1
2	7686000049	Panel Composite – Toolbox Cap	2
3	7686000053	Panel Composite – Flare Strip	2
4	7686000052	Panel Composite – Filler Strip	2
5	4679000120	Pad .125 Thk.	8
5*	4679000121	Pad .25 Thk.	8
6	7790141651	Screw	26
6*	7790142051	Screw	8
7	7686000020	Panel Composite – Short Vertical Door	2
8	7950160162	Flatwasher	2
9	4811000135	Sheet	2
10	7555000002	Hinges Stainless Steel Leaf	4
11	4812000052	Shim	8
12	7595000005	Latch Paddle	2
13	7114100418	Capscrew	6
14	7585000009	Latch Striker	2
15	4178000347	Bracket	2
16	7796000038	Gasket	2
17	7660152601	Locknut	6
18	7843000020	Spring Gas	2
19	7178000023	Bracket Ball	2
20	7865000001	Ball Stud	2
21	4178000250	Bracket	2
22	7115140850	Capscrew	4
23	4632000012	Seal Door Vertical	2
24	7114141018	Capscrew	8
25	7660142601	Locknut	8
26	7950140161	Flatwasher	20
27	4679000179	Pad	2
28	4679000180	Pad	1
29	7114100818	Capscrew	8
30	7660102601	Nut	8
31	7950140500	Lockwasher	12
32	7661000021	Locknut	2
33	7413000002	Nutsert	4
34	7115150650	Capscrew	4
35	4679000136	Pad	4
36	8632000011	Rubber	9
37	7115162250	Capscrew	12
38	7950160161	Flatwasher	24
39	7660160001	Nut	12
40	4062000243	Backing Bar	8
41	7114100618	Capscrew	12

\* Alternate Configuration



C-13

Rev. \_\_\_\_\_

Date \_\_\_\_\_

**PARTS LIST – TUNNEL TOOLBOX – 49"**

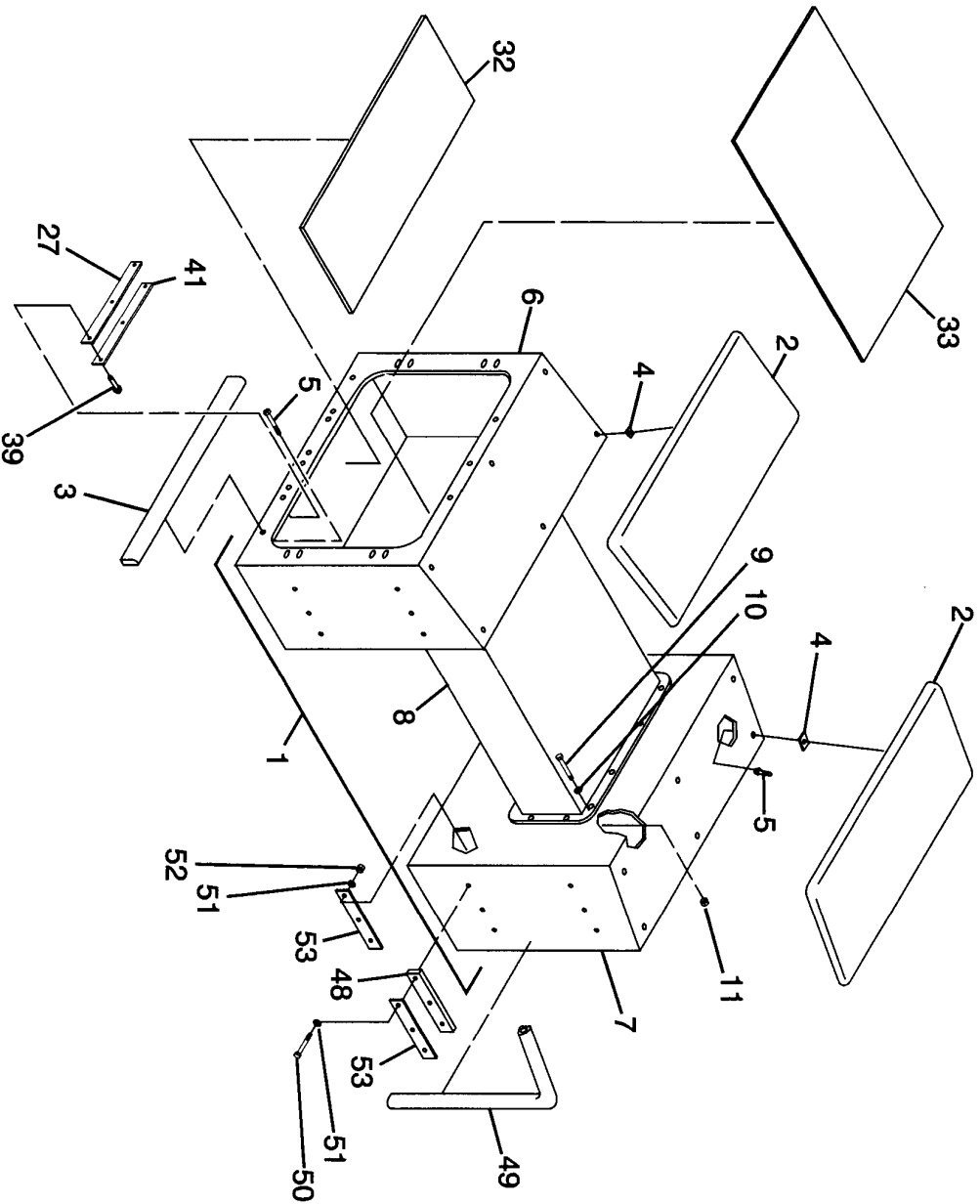
Ref. No.	Part No.	Description	Qty.	Ref. No.	Part No.	Description	Qty.
1	3504740011	49" Tunnel Toolbox Bondment Assembly	1	40	7115150650	Capscrew	8
2	7686000050	Panel Composite – Toolbox Cap	2	41	4062000368	Bar	4
3	7686000054	Panel Composite – Flare Strip	2	42	4811000336	Sheet .06 Thk.	8
4	4679000120	Pad .125 Thk.	12	43	4811000337	Sheet .125 Thk.	8
4*	4679000121	Pad .25 Thk.	12	44	4178000270	Bracket	3
5	7790141651	Screw	20	45	7115181050	Capscrew	12
5*	7790142051	Screw	12	46	7950180153	Flatwasher	12
6	3504740009	Toolbox Bondment LH	1	47	7660182301	Locknut	12
7	3504740010	Toolbox Bondment RH	1	48	4679000136	Pad	4
8	3504740008	Toolbox Bondment Tunnel	1	49	8632000011	Rubber	9 ft
9	7115140850	Capscrew	24	50	7115162250	Capscrew	12
10	7950140161	Flatwasher	48	51	7950160161	Flatwasher	24
11	7660142601	Locknut	24	52	7660160001	Nut	12
12	7686000056	Panel Composite – Door	4	53	4062000248	Backing Bar	8
13	4632000019	Seal	2	54	3178000287	Bracket Weld Base Tool Holder	1
14	4811000332	Sheet	2	55	3178000221	Bracket Weld Intermediate TL Hldr	2
15	7555000002	Hinges Stainless Steel Leaf	8	56	7115161050	Capscrew	12
16	4812000052	Shim	16	57	7660162601	Locknut	12
17	7585000011	Latch	4				
18	7114100418	Capscrew	28				
19	7585000010	Latch, Roller Eberhard	8				
20	4178000334	Bracket	8				
21	7796000031	Gasket	4				
22	7660152601	Locknut	12				
23	7843000020	Spring Gas	4				
24	7178000023	Bracket Ball Stud	4				
25	7865000001	Stud Ball	4				
26	4178000240	Bracket	4				
27	4811000335	Sheet	4				
28	4632000020	Seal	2				
29	7114140818	Capscrew	16				
30	7660142601	Locknut	16				
31	7950140161	Flatwasher	32				
32	4679000181	Pad	2				
33	4679000182	Pad	1				
34	7114100818	Capscrew	16				
35	7660102601	Nut	16				
36	7114140418	Capscrew	24				
37	7950140500	Lockwasher	24				
38	3577000054	Kit Door Latch Washer with Cotter Pin	4				
39	7759000009	Rivet	12				

\* Alternate Configuration

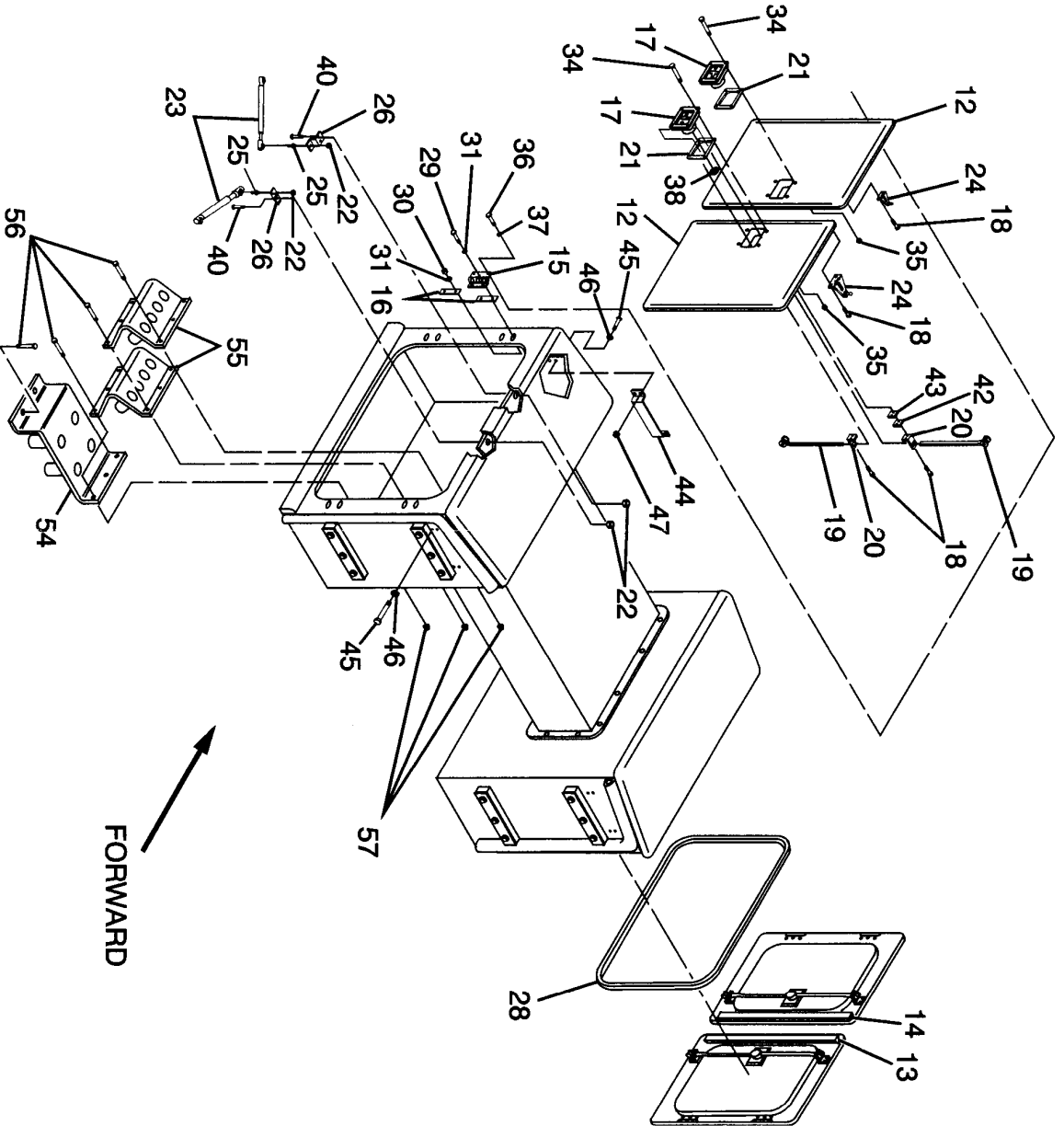


Rev. \_\_\_\_\_  
Date \_\_\_\_\_

TUNNEL TOOLBOX - 49"



TUNNEL TOOLBOX - 49"



C-16

Rev. \_\_\_\_\_  
Date \_\_\_\_\_

**PARTS LIST — TUNNEL TOOLBOX — 60"**

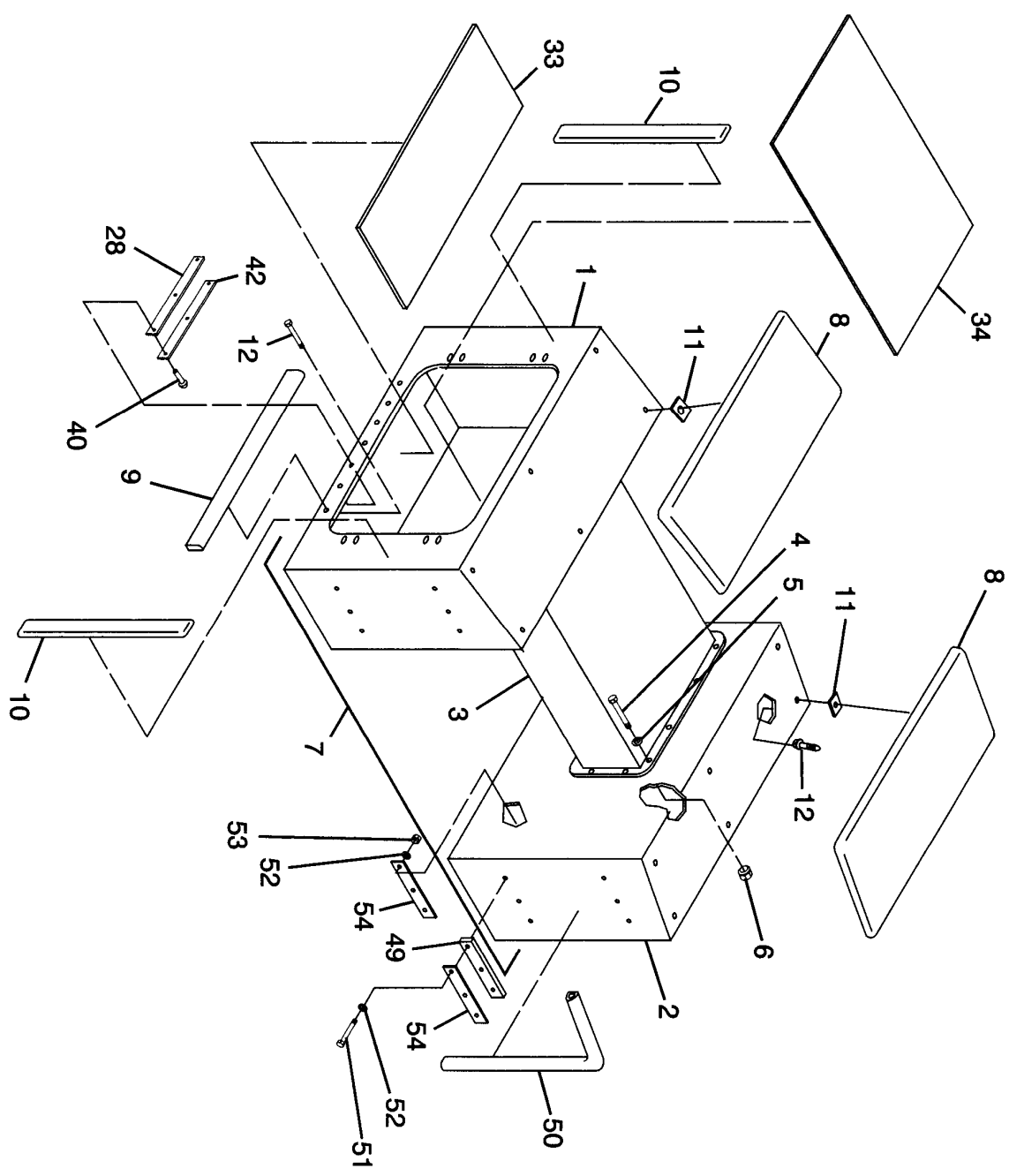
Ref. No.	Part No.	Description	Qty.	Ref. No.	Part No.	Description	Qty.
1	3504740005	Toolbox Bondment LH	1	39	3577000054	Kit Door Latch Washer with Cotter Pin	4
2	3504740006	Toolbox Bondment RH	1	40	7759000009	Rivet	12
3	3504740007	Toolbox Bondment Tunnel	1	41	7115150650	Capscrew	8
4	7115140850	Capscrew	24	42	4062000368	Bar	4
5	7950140161	Flatwasher	48	43	4811000336	Sheet .06 Thk.	8
6	7660142601	Locknut	24	44	4811000337	Sheet .125 Thk.	8
7	3504740004	Toolbox Bondment Assembly	1	45	4178000270	Bracket	3
8	7686000051	Panel Composite — Toolbox Cap	2	46	7115181050	Capscrew	12
9	7686000055	Panel Composite — Flare Strip	2	47	7950180153	Flatwasher	12
10	7686000052	Panel Composite — Filler Strip	4	48	7660182301	Locknut	12
11	4679000120	Pad .125 Thk.	16	49	4679000136	Pad	4
11*	4679000121	Pad .25 Thk.	16	50	8632000011	Rubber	9 ft
12	7790141651	Screw	38	51	7115162250	Capscrew	12
12*	7790142051	Screw	16	52	7950160161	Flatwasher	24
13	7686000056	Panel Composite — Door	4	53	7660160001	Nut	12
14	4632000019	Seal	2	54	4062000243	Backing Bar	8
15	4811000332	Sheet	2				
16	7555000002	Hinges Stainless Steel Leaf	8				
17	4812000052	Shim	16				
18	7585000011	Latch	4				
19	7114100418	Capscrew	28				
20	7585000010	Latch, Roller Eberhard	8				
21	4178000334	Bracket	8				
22	7796000031	Gasket	4				
23	7660152601	Locknut	12				
24	7843000020	Spring Gas	4				
25	7178000023	Bracket Ball Stud	4				
26	7865000001	Stud Ball	4				
27	4178000240	Bracket	4				
28	4811000335	Sheet	4				
29	4632000020	Seal	2				
30	7114141018	Capscrew	16				
31	7660142601	Locknut	16				
32	7950140161	Flatwasher	32				
33	4679000183	Pad	2				
34	4679000184	Pad	1				
35	7114100818	Capscrew	16				
36	7660102601	Nut	16				
37	7114140418	Capscrew	24				
38	7950140500	Lockwasher	24				

\* Alternate Configuration



Rev. \_\_\_\_\_  
Date \_\_\_\_\_

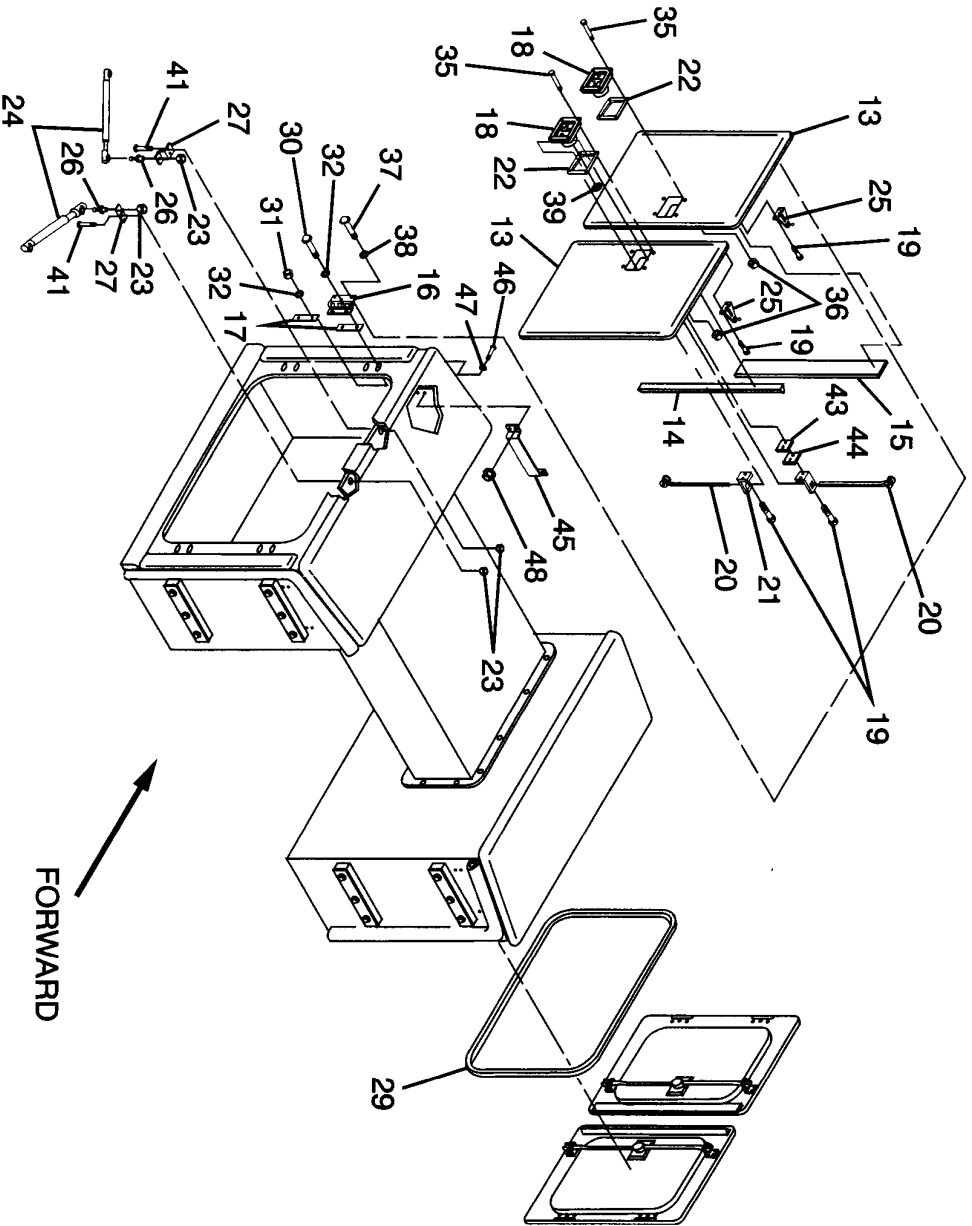
TUNNEL TOOLBOX - 60"



C-19

Rev. \_\_\_\_\_  
Date \_\_\_\_\_

TUNNEL TOOLBOX - 60"



C-20

Rev. \_\_\_\_\_  
Date \_\_\_\_\_

---

**PARTS LIST — MUD FLAPS**

<b>Ref. No.</b>	<b>Part No.</b>	<b>Description</b>	<b>Qty.</b>
1	4178000242	Bracket	2
2	4017000719	Angle	2
3	4706001815	Plate	2
4	7638000007	Flap Mud w/Jerr-Dan Logo	2
5	7118151250	Capscrew	12
6	7950150151	Flatwasher	40
7	7660152601	Locknut	20
8	7115150850	Capscrew	8

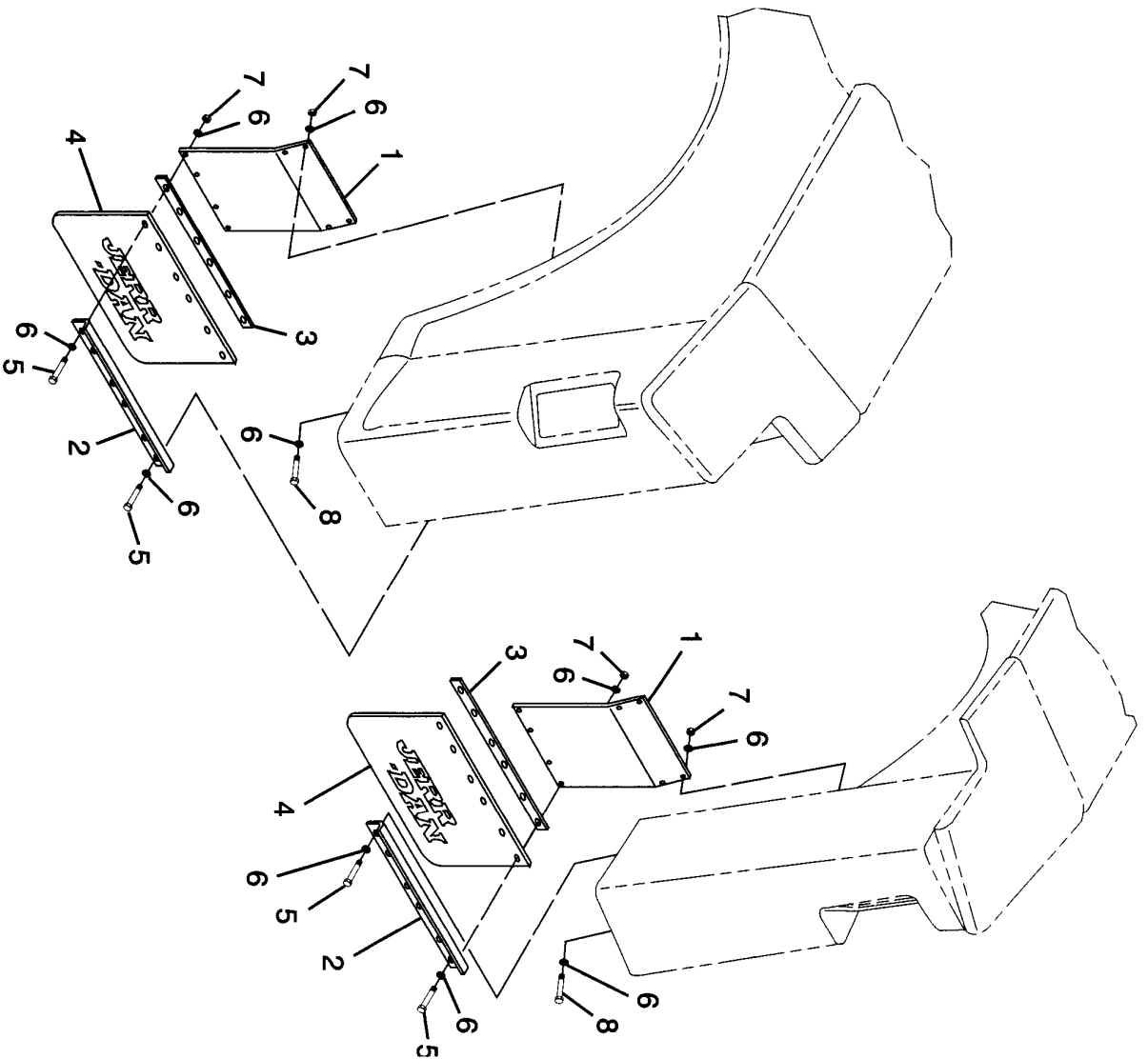


C-22

Rev. \_\_\_\_\_

Date \_\_\_\_\_

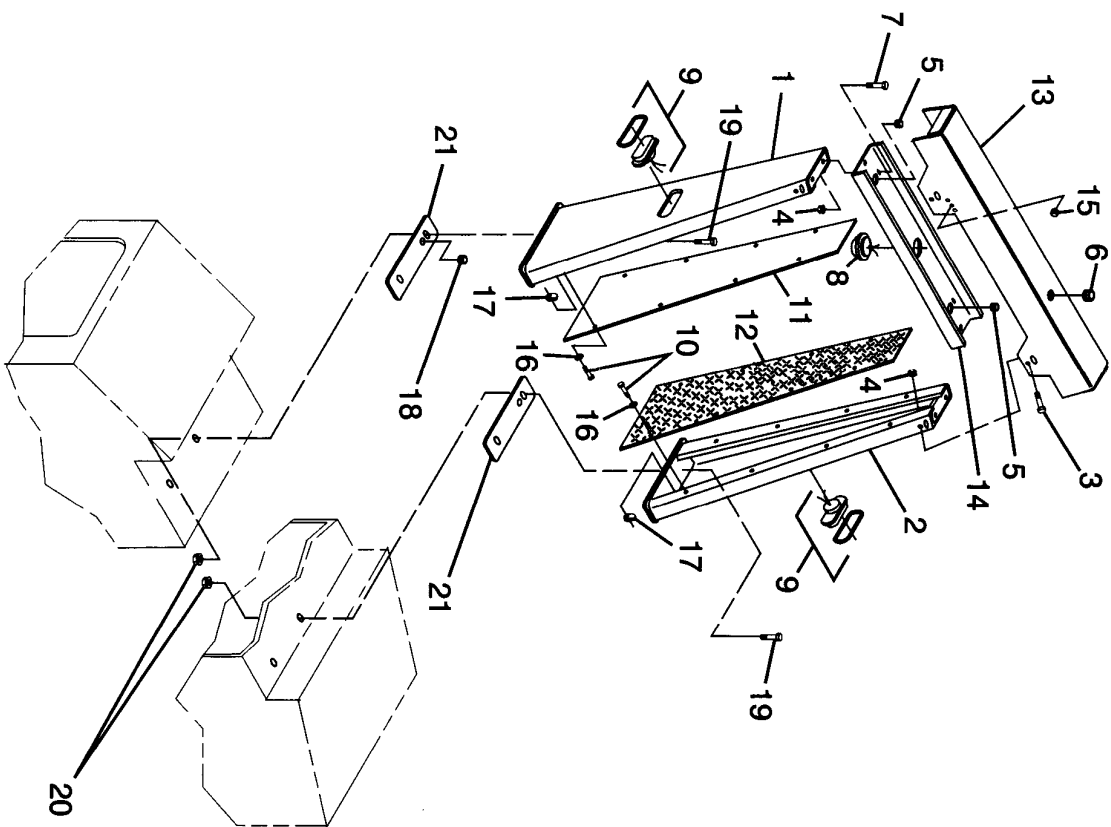
MUD FLAPS



C-23

Rev. \_\_\_\_\_  
Date \_\_\_\_\_

# HEADBOARD/LIGHT PYLON 30" TOOLBOX



C-24

Rev. \_\_\_\_\_  
Date \_\_\_\_\_

**PARTS LIST — HEADBOARD/LIGHT PYLON  
30" TOOLBOX**

<b>Ref. No.</b>	<b>Part No.</b>	<b>Description</b>	<b>Qty.</b>
1	3263000089	Channel Weld Headboard LH Side	1
2	3263000090	Channel Weld Headboard RH Side	1
3	7114160818	Capscrew	8
4	7660162601	Locknut	12
5	7493000007	Grommet	2
6	7493000011	Grommet	1
7	7114160618	Capscrew	4
8	7590000127	Dome Light	1
9	7590000095	Assy Marker Light	2
10	7114140818	Capscrew	16
11	4706002942	Plate	1
12	4706002941	Plate	1
13	3263000088	Channel Weld Headboard	1
14	4263000452	Channel	1
15	7493000017	Grommet	1
16	7950140500	Lockwasher	16
17	7661000019	U-Nut	16
18	7493000008	Grommet	1
19	7114181250	Capscrew	4
20	7660182601	Locknut	4
21	7796000060	Gasket	2



**JERR-DAN**

C-25

Rev. \_\_\_\_\_

Date \_\_\_\_\_

**PARTS LIST — HEADBOARD/LIGHT PYLON  
49" & 60" TOOLBOX**

<b>Ref. No.</b>	<b>Part No.</b>	<b>Description</b>	<b>Qty.</b>
1	3263000089	Channel Weld Headboard LH Side	1
2	3263000090	Channel Weld Headboard RH Side	1
3	7114160818	Capscrew	8
4	7660162601	Locknut	12
5	7493000007	Grommet	2
6	7493000011	Grommet	1
7	7114160618	Capscrew	4
8	7590000127	Dome Light	1
9	7590000095	Assy Marker Light	2
10	7114140818	Capscrew	16
11	4706002942	Plate	1
12	4706002941	Plate	1
13	3263000088	Channel Weld Headboard	1
14	4263000452	Channel	1
15	7493000017	Grommet	1
16	7950140500	Lockwasher	16
17	7661000019	U-Nut	16
18	3177000047	Support Weldment Light Pylon	2
19	7115181250	Capscrew	8
20	7660182601	Locknut	8
21	4706002947	Plate	2
22	7796000060	Gasket	2

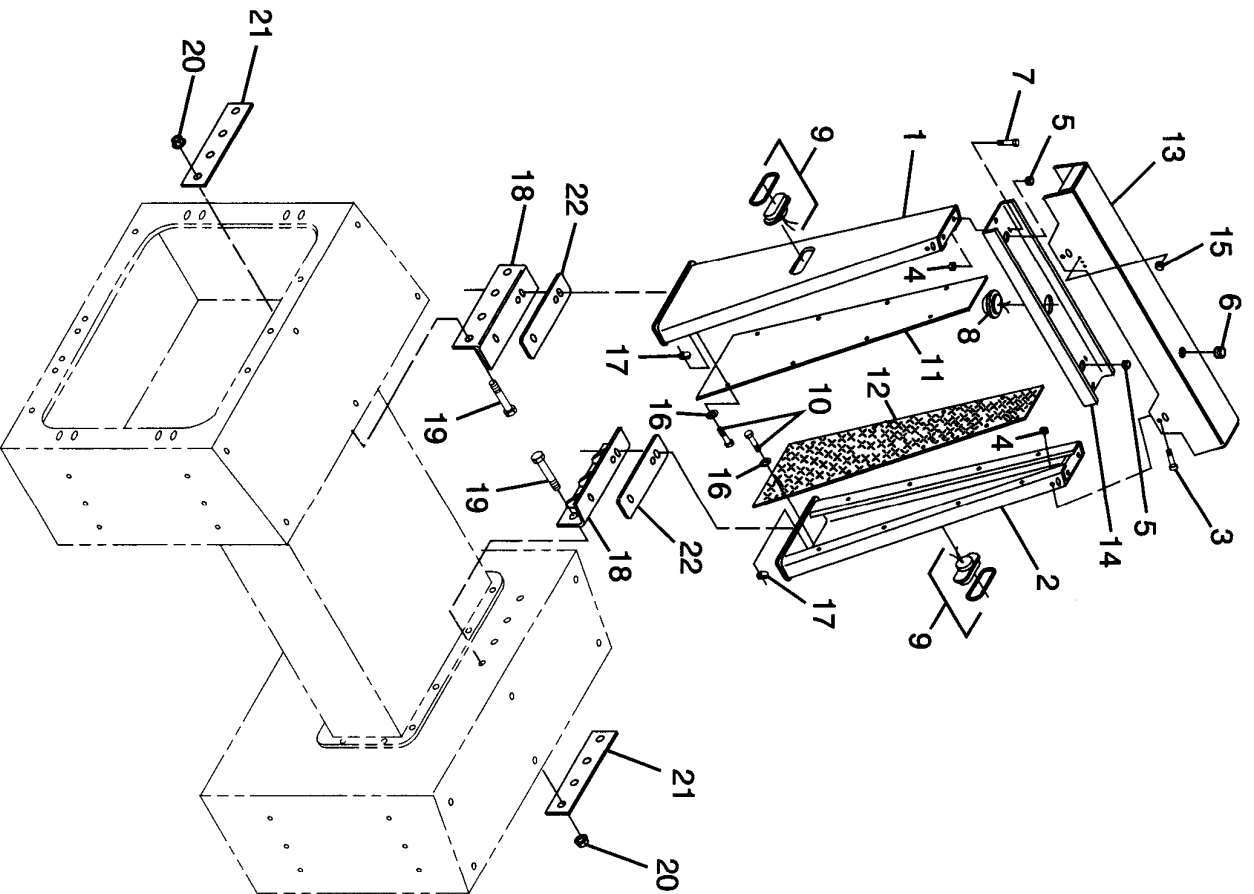


C-26

Rev. \_\_\_\_\_

Date \_\_\_\_\_

**HEADBOARD/LIGHT PYLON  
49" & 60" TOOLBOX**

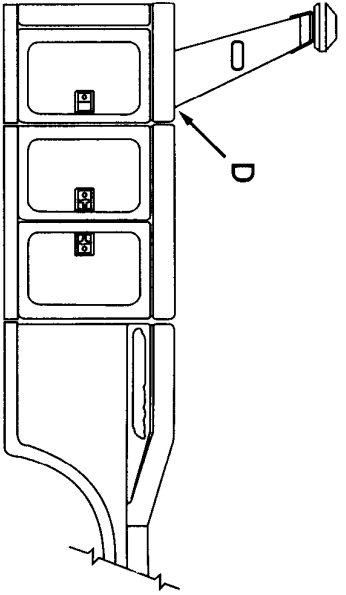


C-27

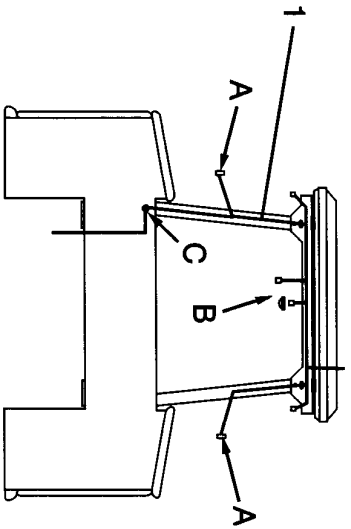


Rev. \_\_\_\_\_  
Date \_\_\_\_\_

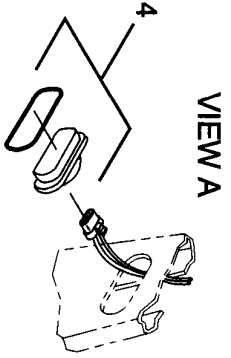
**HEADBOARD/LIGHT & WIRING**



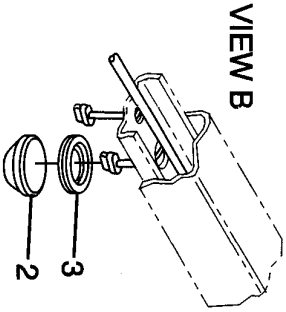
**DRIVER'S SIDE VIEW**



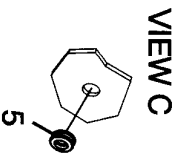
**REAR VIEW**



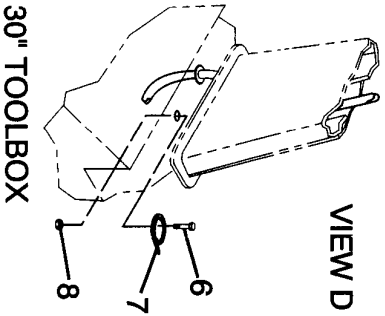
**VIEW A**



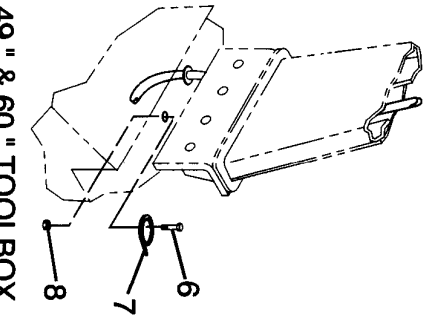
**VIEW B**



**VIEW C**



**VIEW D**



**49 " & 60 " TOOLBOX**

---

**PARTS LIST — HEADBOARD/LIGHT & WIRING**

<b>Ref. No.</b>	<b>Part No.</b>	<b>Description</b>	<b>Qty.</b>
1	7552000170	Harness, 14T Headboard	1
2	7590000127	Dome	1
3	7493000002	Grommet	1
4	7590000095	Assy Marker Light	2
5	7493000014	Grommet	1
6	7115141450	Capscrew	1
7	7894000031	Cable Tie	1
8	7660150230	Nut	1



C-29

Rev. \_\_\_\_\_

Date \_\_\_\_\_

**PARTS LIST – CONTROLS AND VALVE INSTALLATION  
WITH MANUAL SPADES**

Ref. No.	Part No.	Description	Qty.
1	3178000284	Bracket Weldment LH Cable Support	1
2	3178000285	Bracket Weldment RH Cable Support	1
3	7115140650	Capscrew	8
4	7660142601	Locknut	8
5	7115161850	Capscrew	3
6	7660162601	Locknut	3
7	4935000105	Valve Assy	1
8	7248000061	Cable Assy	8
9	7660140230	Nut	28
10	4309000002	Cable Coupling	4
11	4309000001	Coupling	6
12	7690141200	Pin	28
13	7690000810	Pin	28
14	3551000051	Handle Weld Long Control	8
15	3551000052	Handle Weld Short Control	6
16	3831000025	Spacer Assy	4
17	4209000192	Bushing	4
18	7551000015	Handle, Knob	14
19*	7082000005	Bearing	44
20	4691000343	Pin	4
21	7754000022	Retaining Ring	8
22	7990000003	End Yoke	14
23	7950220161	Flatwasher	4
24	4811000338	Sheet	1
25	4811000339	Sheet	1
26	7115140650	Capscrew	18
27	7950140141	Flatwasher	30
28	7660142601	Locknut	6
29	4706002917	Plate	1
30	7114100827	Capscrew	8
31	7950100143	Flatwasher	8
32	7330000334	Decal Controls	1
33	4811000348	Sheet	2
34	7115140450	Capscrew	6
35	4493000003	Grommet	14
36	7950140000	Lockwasher	6
37	7413000002	Nutsert	12
38	4706002971	Plate	1
39	7330000339	Decal Controls 14 Ton RH	1
40	4309000003	Cable Coupling	4
41	7636000011	Plug	8
42	7248000062	Cable Assy	6
47	4209000191	Bushing	1

\* Part of items #14, #15, #16

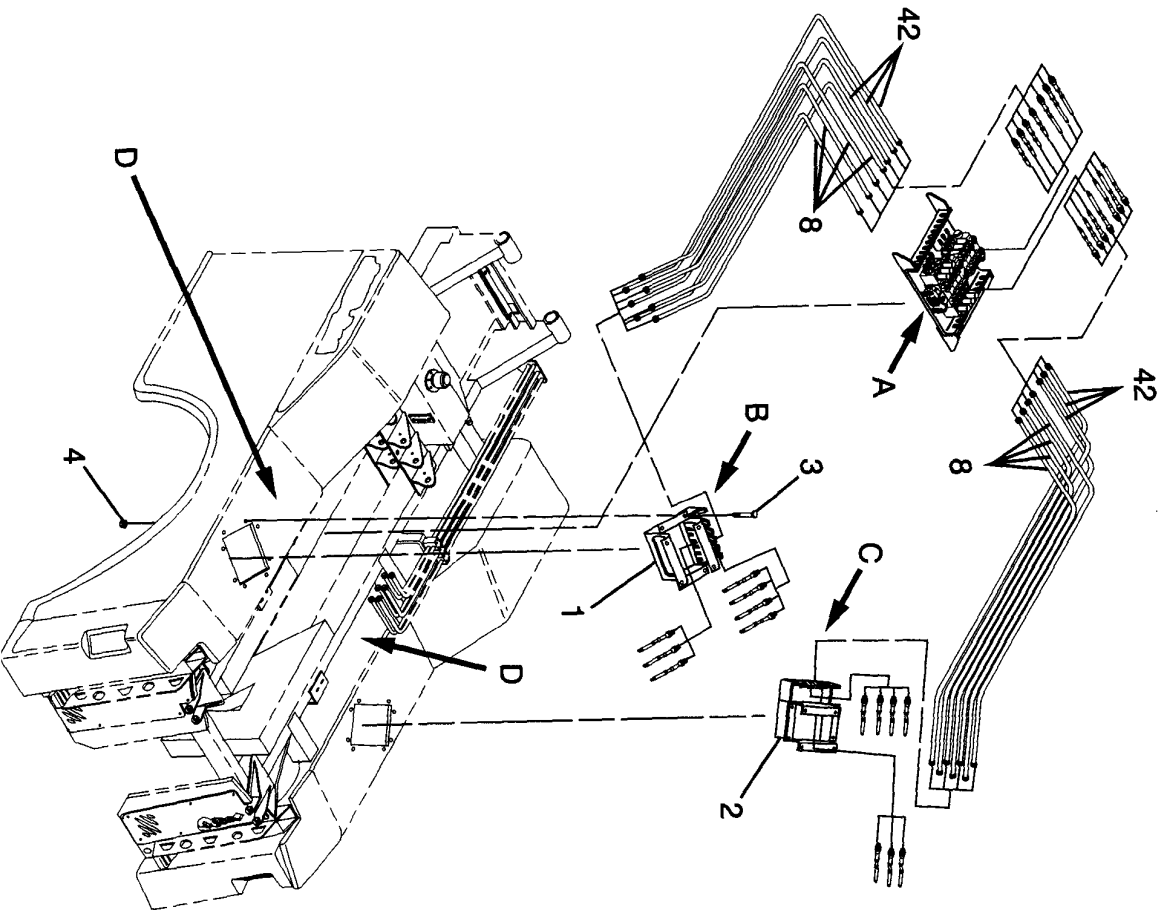


C-30

Rev. \_\_\_\_\_

Date \_\_\_\_\_

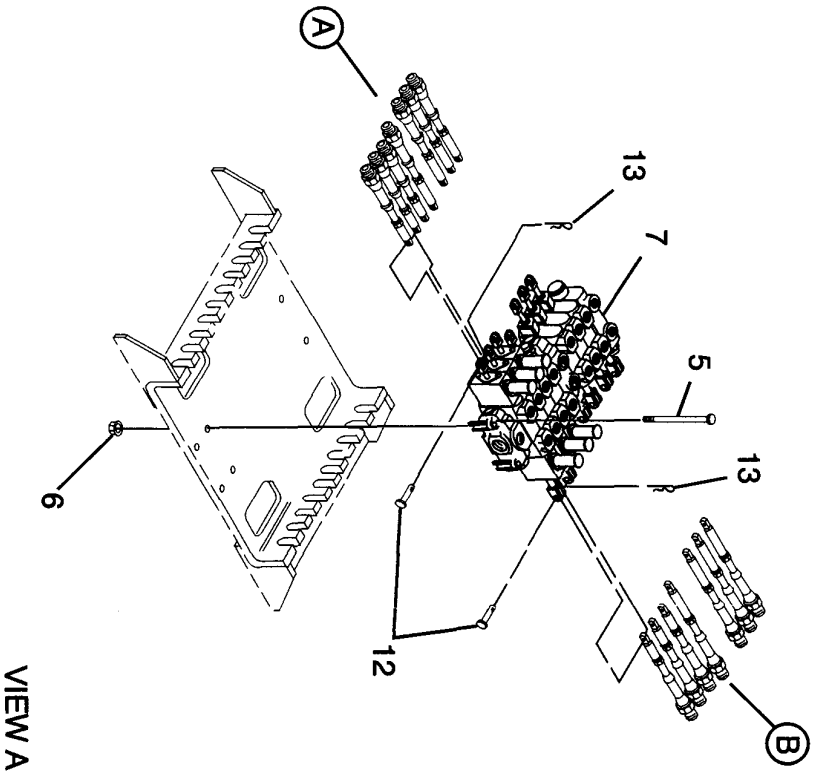
CONTROLS AND VALVE INSTALLATION WITH MANUAL SPADES



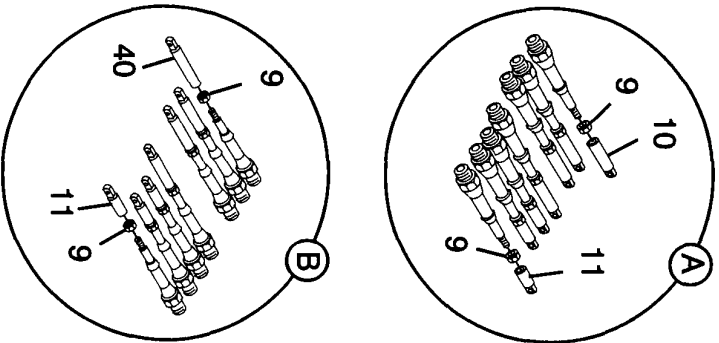
C-31

Rev. \_\_\_\_\_  
Date \_\_\_\_\_

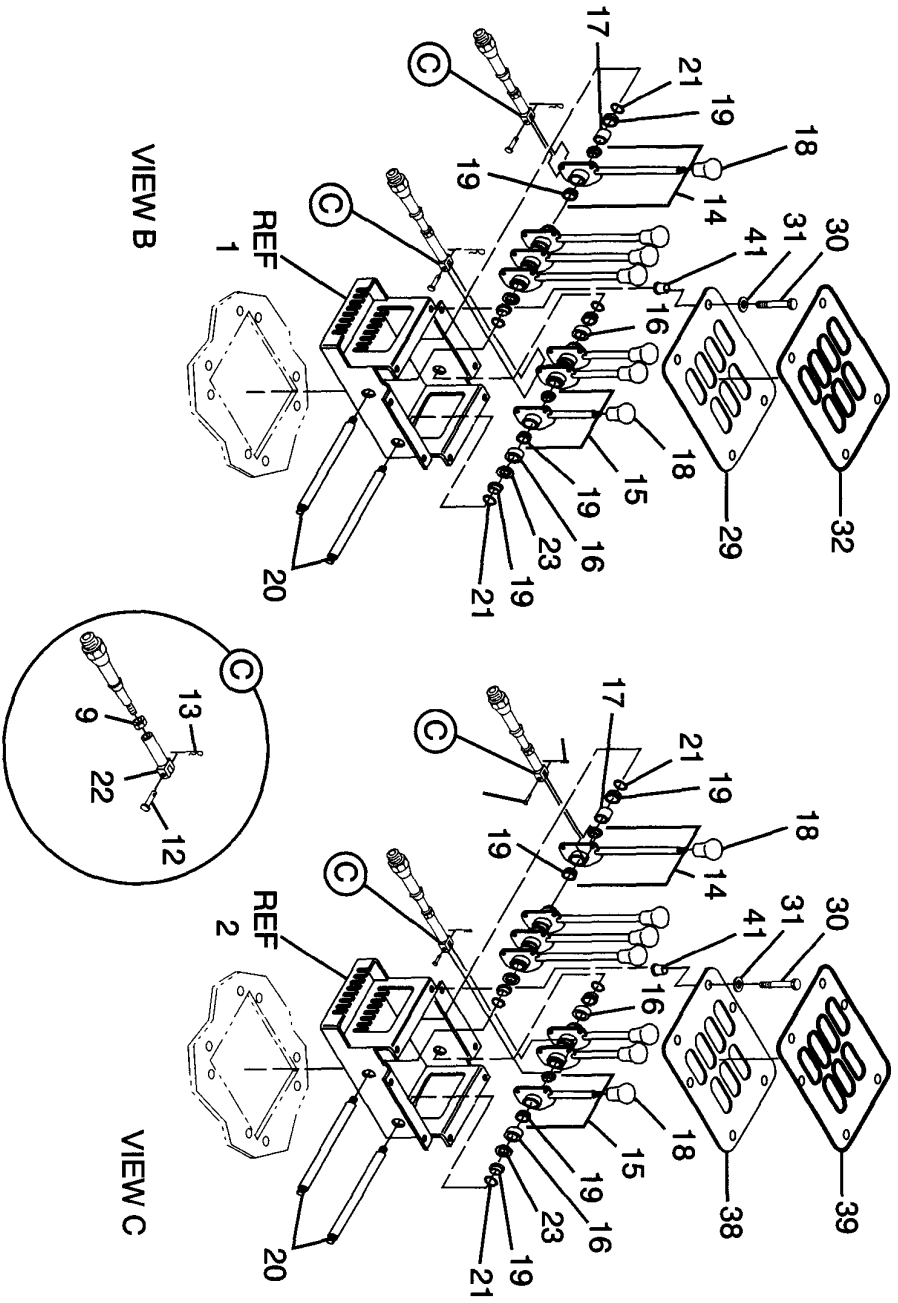
# CONTROLS AND VALVE INSTALLATION WITH MANUAL SPADES



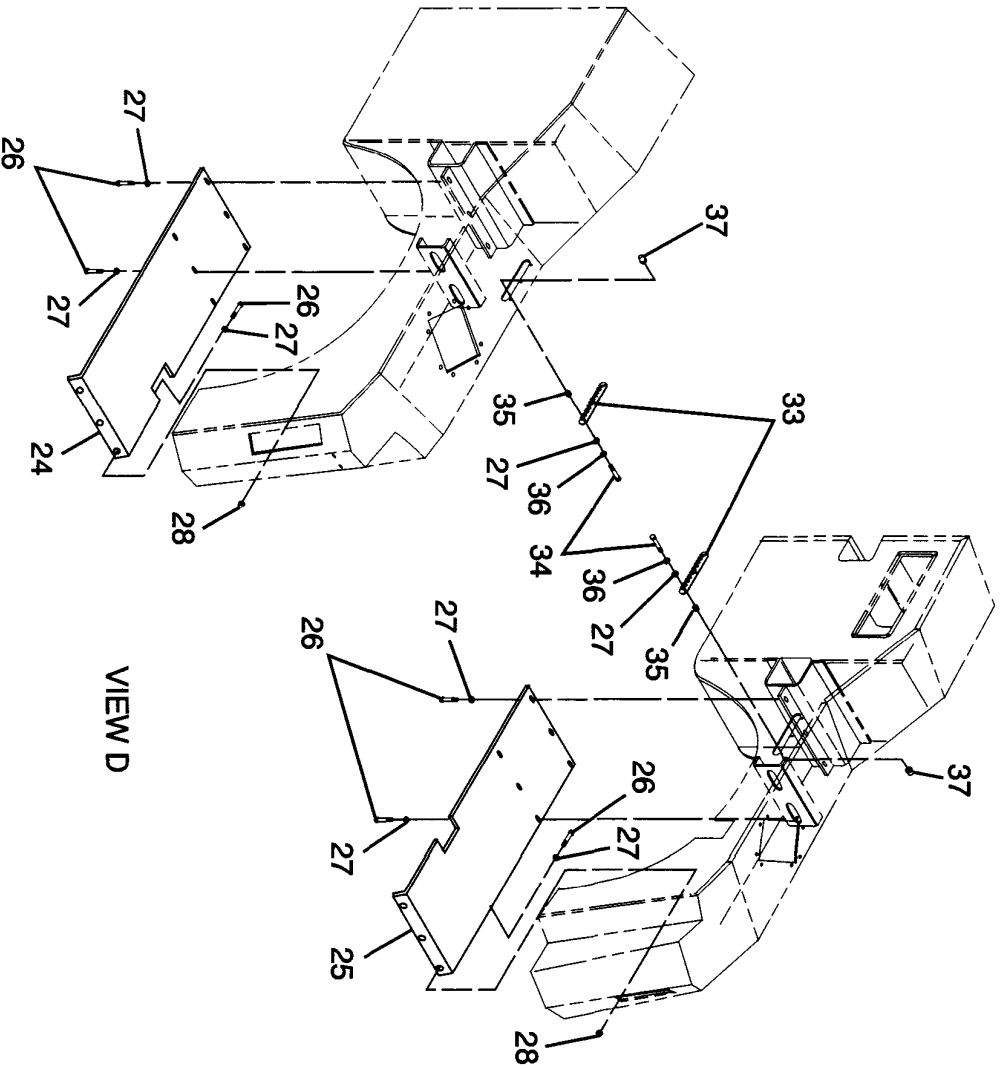
VIEW A



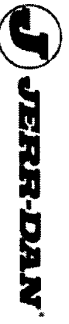
CONTROLS AND VALVE INSTALLATION WITH MANUAL SPADES



CONTROLS AND VALVE INSTALLATION WITH MANUAL SPADES



VIEW D



C-34

Rev. \_\_\_\_\_  
Date \_\_\_\_\_

**PARTS LIST – CONTROLS AND VALVE INSTALLATION  
WITH HYDRAULIC SPADES**

Ref. No.	Part No.	Description	Qty.
1	3178000284	Bracket Weldment LH Cable Support	1
2	3178000285	Bracket Weldment RH Cable Support	1
3	7115140650	Capscrew	26
4	7660142601	Locknut	14
5	7115161850	Capscrew	3
6	7660162601	Locknut	3
7	4935000101	Valve Assembly	1
8	7248000061	Cable Assy	12
9	7660140230	Nut	36
10	4309000002	Cable Coupling	6
11	4309000001	Coupling	6
12	7690141200	Pin	36
13	7690000810	Pin	36
14	3551000051	Handle Weld Long Control	8
15	3551000052	Handle Weld Short Control	10
16	7248000062	Cable Assy	6
17	4209000192	Bushing	4
18	7551000015	Handle, Knob	18
19	7082000005	Bearing	52
20	4691000343	Pin	4
21	7754000022	Retaining Ring	8
22	7990000003	End Yoke	18
23	7950220161	Flatwasher	4
24	4811000338	Sheet	1
25	4811000339	Sheet	1
26	7636000011	Plug	8
27	7950140141	Flatwasher	30
28	4309000003	Cable Coupling	6
29	4706003005	Plate	1
30	7114100827	Capscrew	8
31	7950100143	Flatwasher	8
32	7330000364	Decal	1
33	4811000348	Sheet	2
34	7115140450	Capscrew	6
35	4493000003	Grommet	14
36	7950140000	Lockwasher	6
37	7413000002	Nutsert	12
38	4706003006	Plate	1
39	7330000365	Decal	1

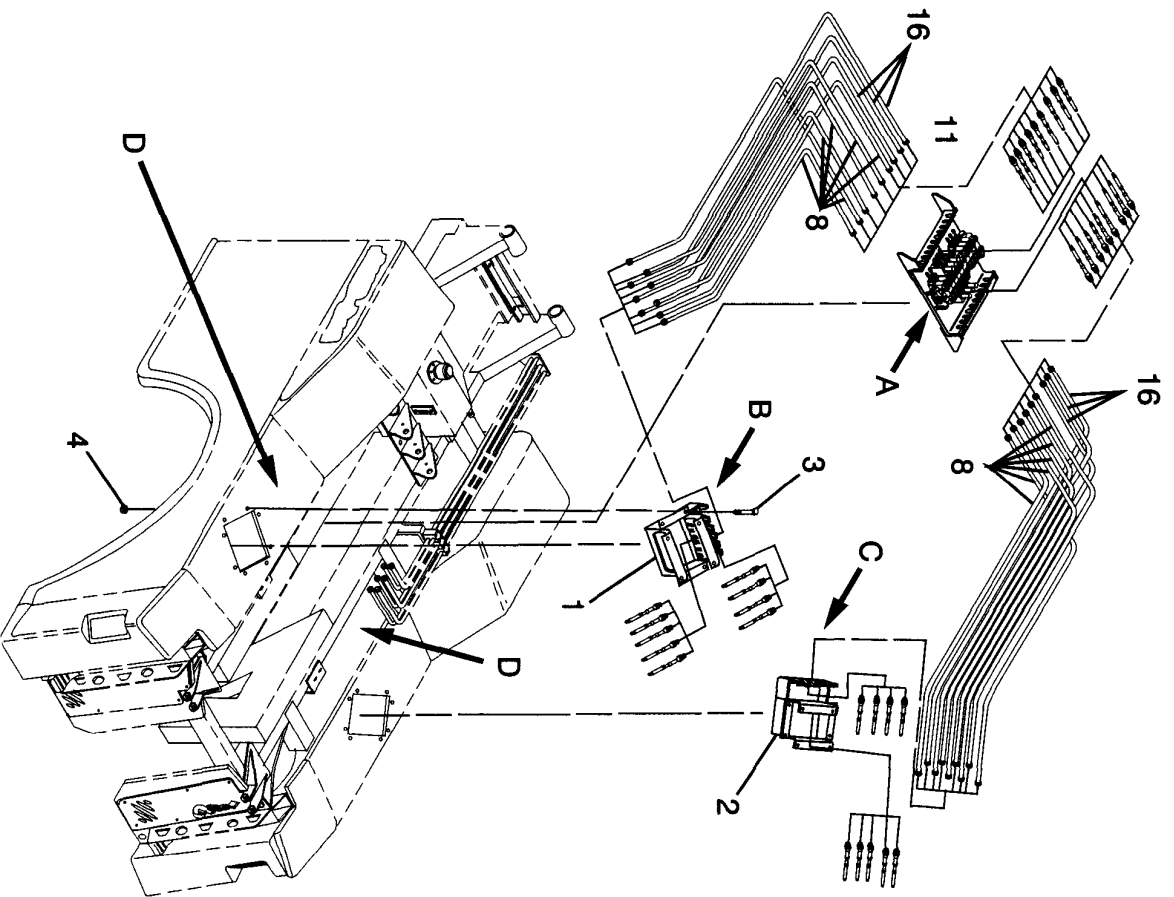


C-36

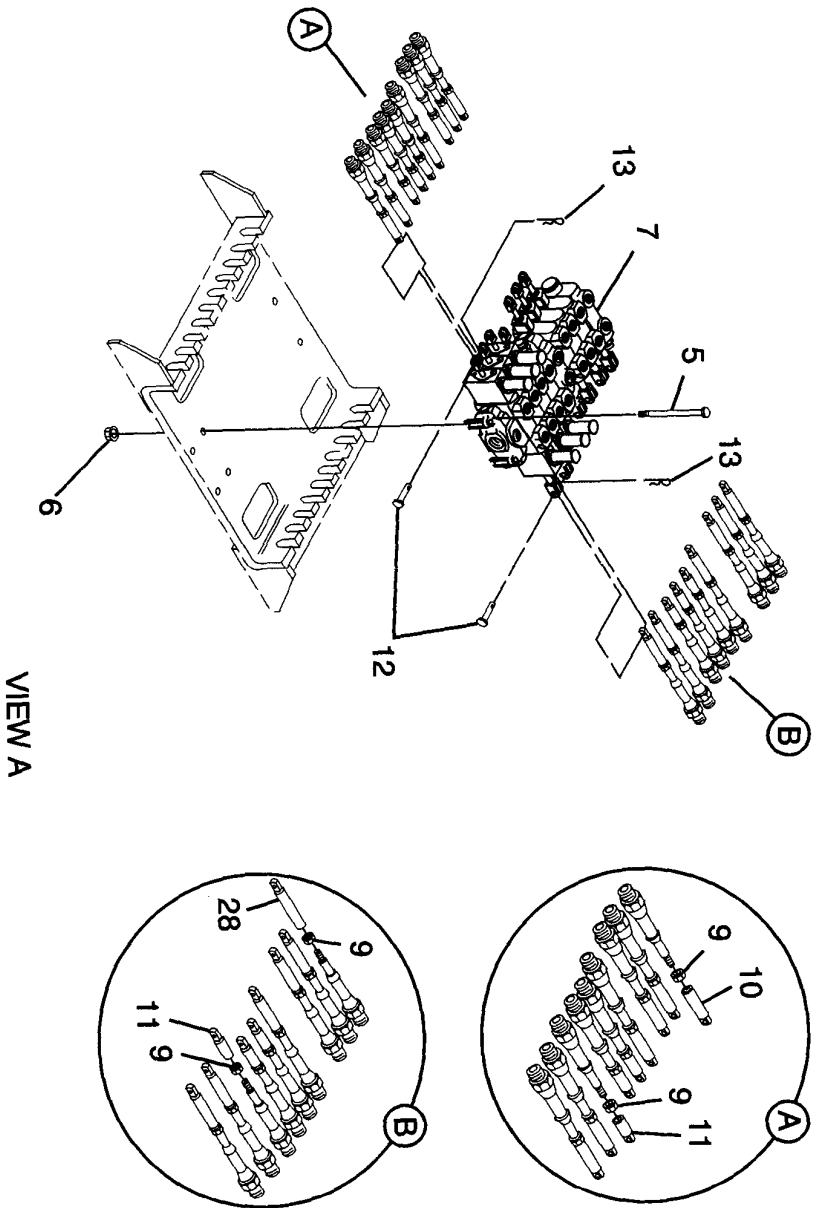
Rev. \_\_\_\_\_

Date \_\_\_\_\_

**CONTROLS AND VALVE INSTALLATION WITH HYDRAULIC SPADES**



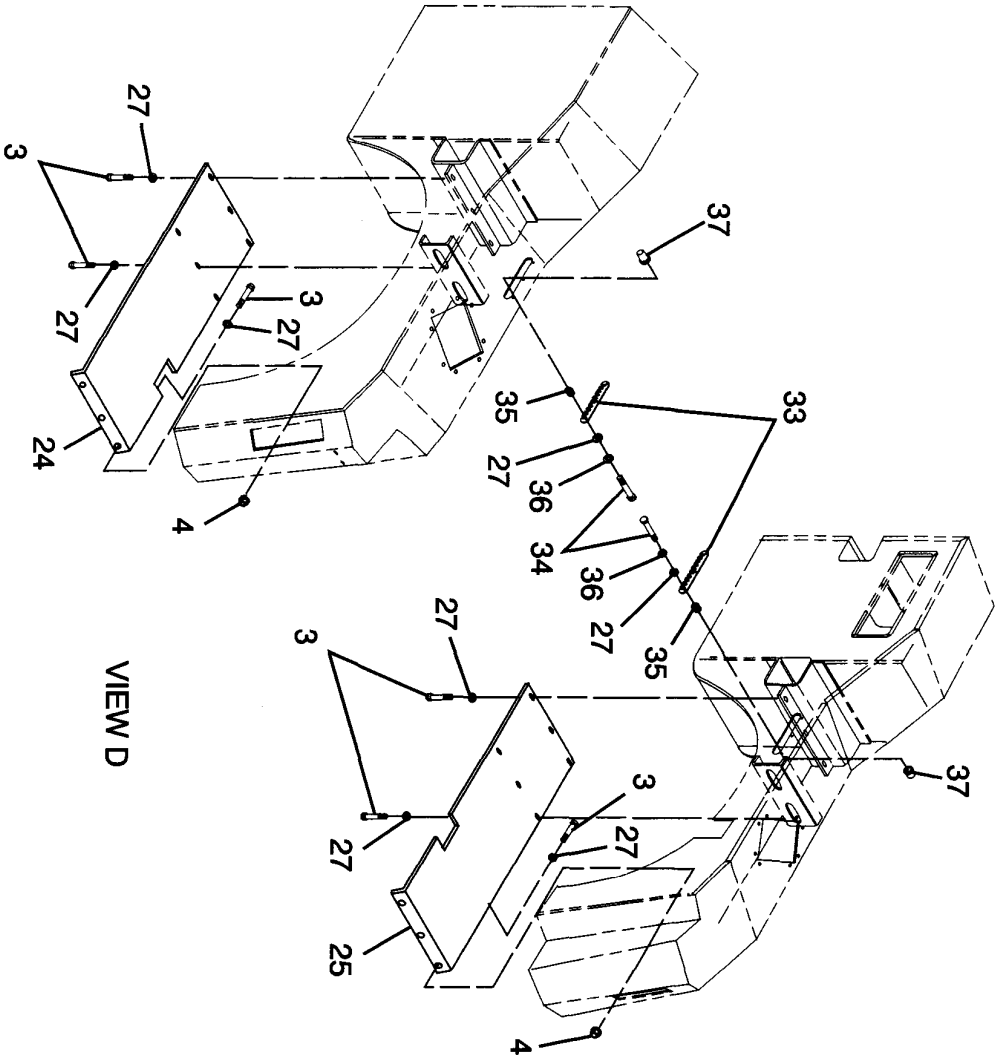
# CONTROLS AND VALVE INSTALLATION WITH HYDRAULIC SPADES



VIEW A



CONTROLS AND VALVE INSTALLATION WITH HYDRAULIC SPADES



C-40

Rev. \_\_\_\_\_  
Date \_\_\_\_\_

**PARTS LIST — ELECTRICAL ASSEMBLY SINGLE CONTROL**

<b>Ref. No.</b>	<b>Part No.</b>	<b>Description</b>	<b>Qty.</b>
1	7552000174	Harness	1
2	7552000151	Harness, Wireless Remote Power	1
3	7295000034	Controller Hand – Back-Lite Display	1
4	7346000068	Cap	1
5	7759000004	Pop Rivet	1
6	7330000247	Decal Remote Control Vinyl	1
7	4706002982	RH Plate with Remote	1
	4706002980	RH Plate with Remote and 7-way	
8	4706002981	LH Plate	1
9	7114140618	Capscrew	10
10	7950140000	Lockwasher	10
11	7660140001	Nut	10
12	7115140864	Bolt	2
13	7950140161	Flatwasher	2
14	7660142601	Locknut	2
15	7291000003	Receptacle	1



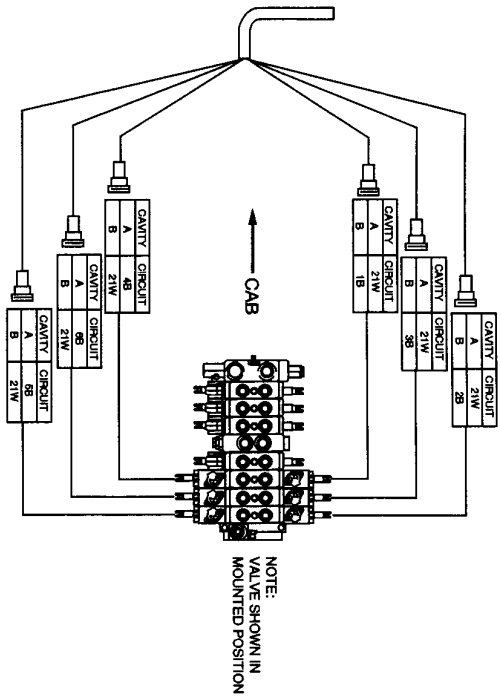
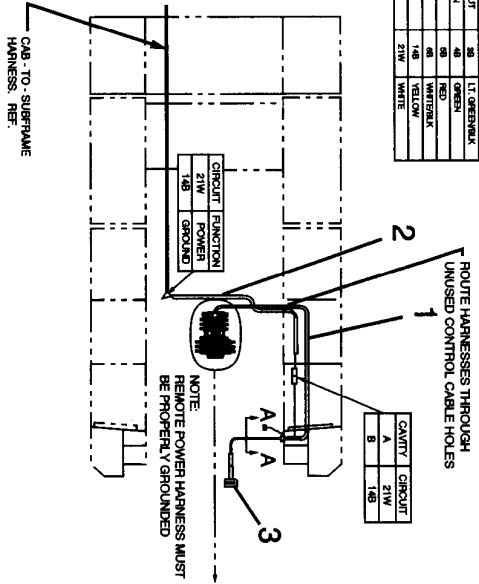
C-42

Rev. \_\_\_\_\_

Date \_\_\_\_\_

# ELECTRICAL ASSEMBLY SINGLE CONTROL

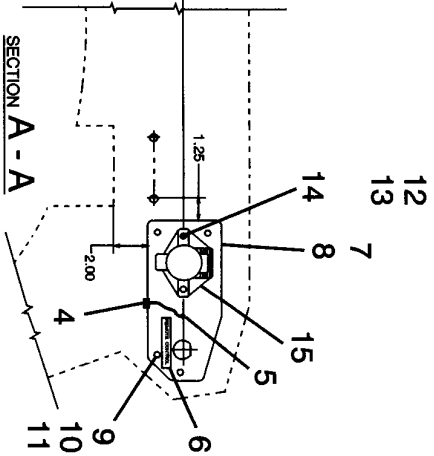
FUNCTION	CIRCUIT	HARNES
BOOMUP	28	BLACK
TILT UP	38	LT GREEN/BLK
M. BOOM OUT	48	GREEN
BOOM DOWN	49	RED
TILT DOWN	49	RED
M. BOOM IN	49	WHITE/BLK
POWER	14B	YELLOW
GROUND	21W	WHITE



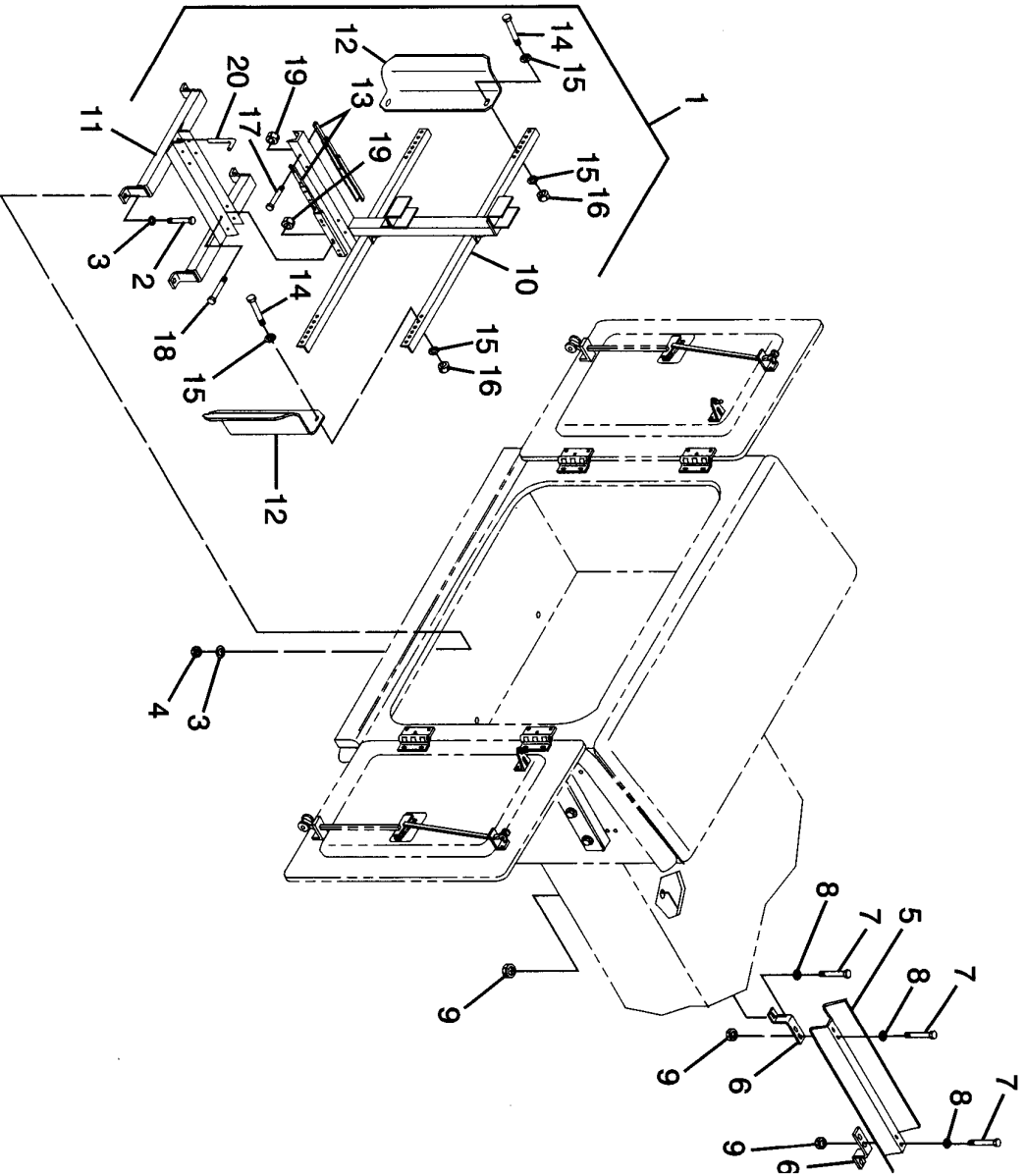
RH BODY HARNESS

FUNCTION	CIRCUIT	HARNES
LIT STOP/TURN	2	YELLOW
RHT STOP/TURN	3	GREEN
LAMP/STAY/VAL	5	BROWN
GROUND	8	WHITE

4MMV TRAILER PLUG



# DOLLY BRACKET INSTALLATION



C-44

Rev. \_\_\_\_\_  
Date \_\_\_\_\_

---

**PARTS LIST – DOLLY BRACKET INSTALLATION**

<b>Ref. No.</b>	<b>Part No.</b>	<b>Description</b>	<b>Qty.</b>
1	3178000286	Bracket Assembly Dolly	1
2	7115160650	Capscrew	4
3	7950160151	Flatwasher	8
4	7660162601	Locknut	4
5	4706002972	Plate	1
6	4178000340	Bracket	2
7	7115150864	Bolt	6
8	7660152601	Locknut	6
9	7950150161	Flatwasher	6
10*	3178000282	Bracket Weldment Top Slide	1
11*	3073000009	Base Weldment 14T Dolly	1
12*	4178000333	Bracket	2
13*	7821000001	Slide	2
14*	7115140650	Capscrew	4
15*	7950140141	Flatwasher	8
16*	7660140001	Nut	4
17*	7115100607	Capscrew	8
18*	7115100411	Capscrew	8
19*	7660100001	Nut	16
20*	4551000011	Handle	1

\* Part of item #1



C-45

Rev. \_\_\_\_\_

Date \_\_\_\_\_

---

**UNDERLIFT  
GRID PARTS**

Cross Tube Installation ..... D-2  
L-Arm Assembly ..... D-5  
Frame Fork Assembly ..... D-6  
Medium Duty Tire Lift Assembly ..... D-9  
Pintle Hook Assembly ..... D-10  
Ball Hitch Assembly ..... D-13

---

**PARTS LIST — CROSS TUBE INSTALLATION**

<b>Ref. No.</b>	<b>Part No.</b>	<b>Description</b>	<b>Qty.</b>
1	3913000064	Tube Weld Pivot	1
2	4691000103	Pin	1
3	4949000047	Washer	2
4	7754000024	Ring Retaining	1
5	7209000028	Connex Bushing	1

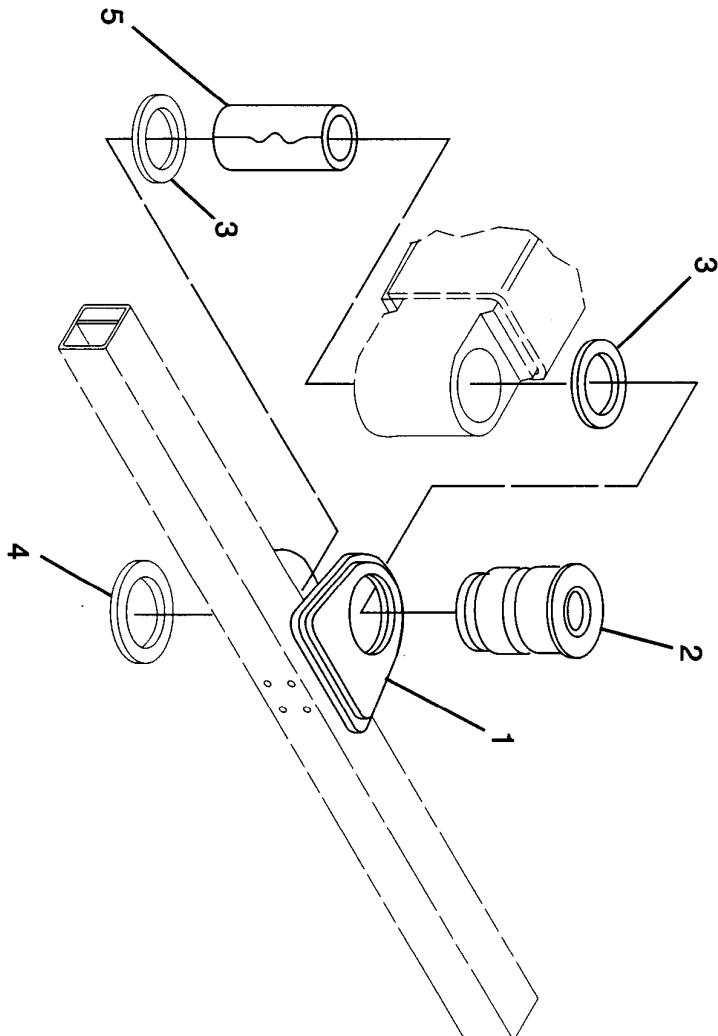


D-2

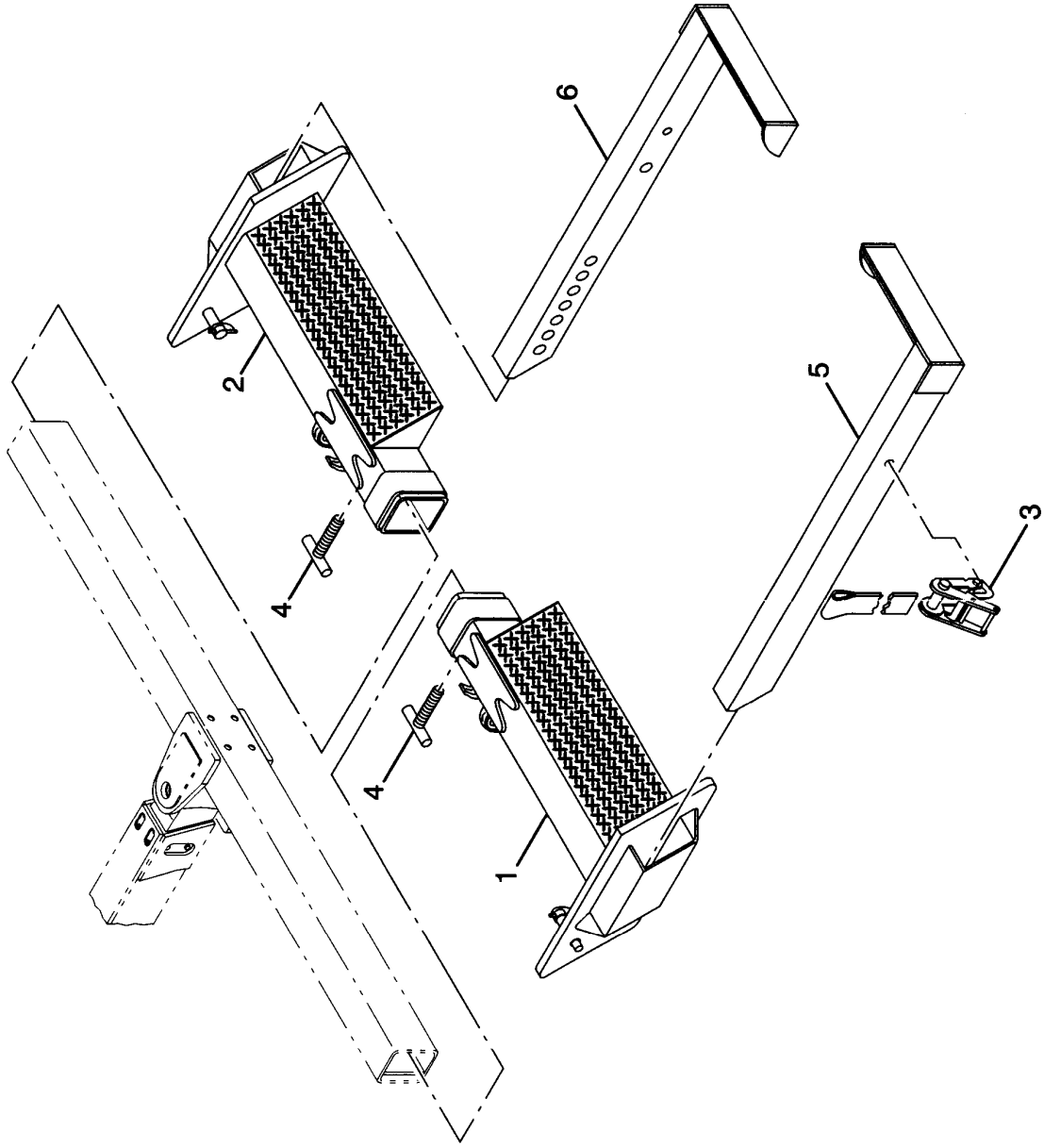
Rev. \_\_\_\_\_

Date \_\_\_\_\_

CROSS TUBE INSTALLATION



L-ARM ASSEMBLY



---

**PARTS LIST — L-ARM ASSEMBLY**

<b>Ref. No.</b>	<b>Part No.</b>	<b>Description</b>	<b>Qty.</b>
1	3484000041	Grid Weldment LH	1
2	3484000040	Grid Weldment RH	1
3	7894000034	Tie Strap	2
4	3551000036	T-Handle Weldment	2
5	3020000037	Arm Weld "L" LH	1
6	3020000038	Arm Weld "L" RH	1



D-5

Rev. \_\_\_\_\_

Date \_\_\_\_\_

**PARTS LIST — FRAME FORK ASSEMBLY**

<b>Ref. No.</b>	<b>Part No.</b>	<b>Description</b>	<b>Qty.</b>
1	3007000010	Adapter Weldment Frame Fork LH	1
2	3007000011	Adapter Weldment Frame Fork RH	1
3	3178000226	Spring Lift Bracket Weldment	2
4	3454000003	Med Fork Weldment	2
5	3454000004	Long Fork Weldment	2
6	3454000005	Med Fork Weldment	2
7	3454000006	Short Fork Weldment	2
8	7691000021	Pin Hitch	2
9	7691000031	Pin, Hitch	2
10	3007000008	Adapter Weldment Chain Hook RH	1
11	3007000009	Adapter Weldment Chain Hook LH	1
12	7691000032	Pin, Clevis	2
13	7691000020	Hairpin	2
14	3551000036	T-Handle Weldment	2

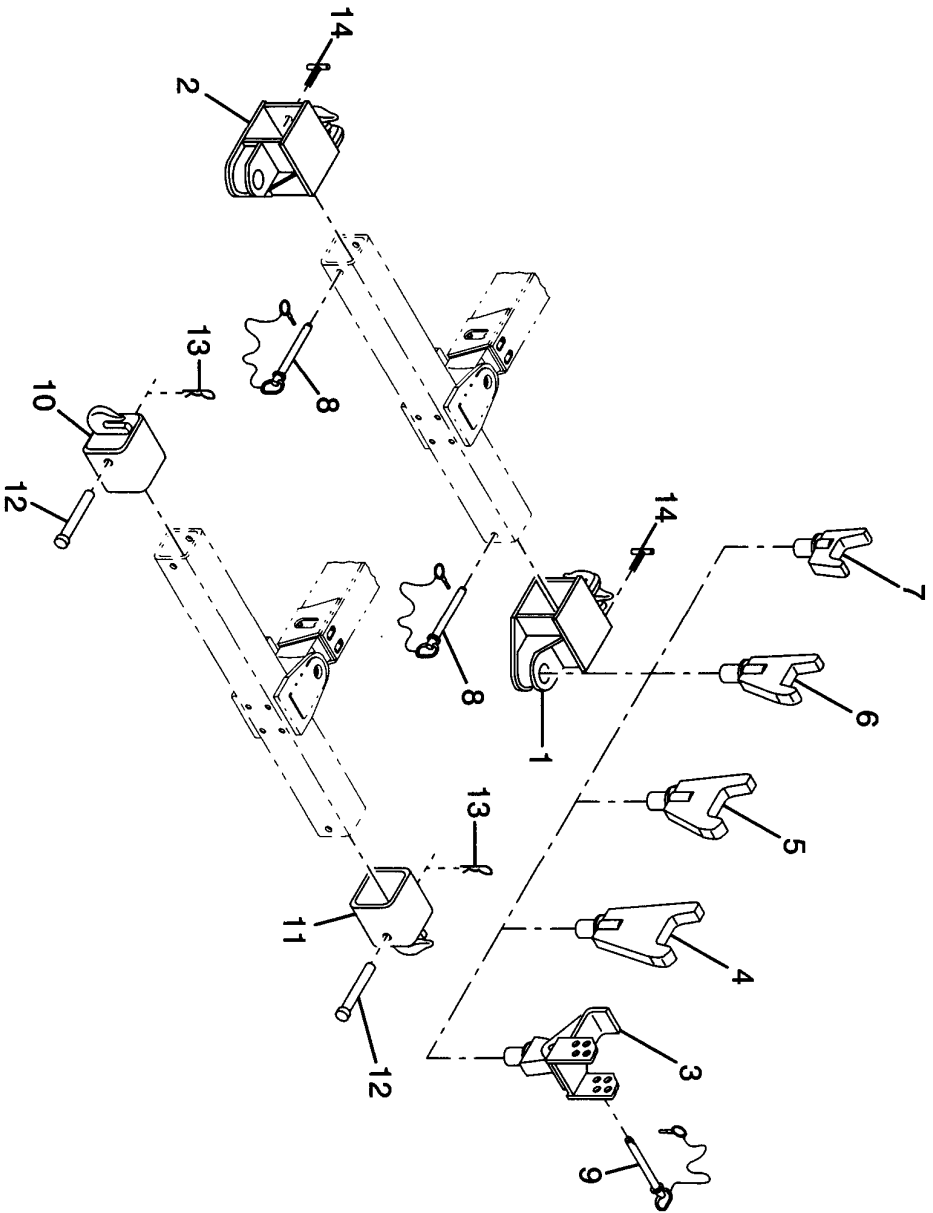


D-6

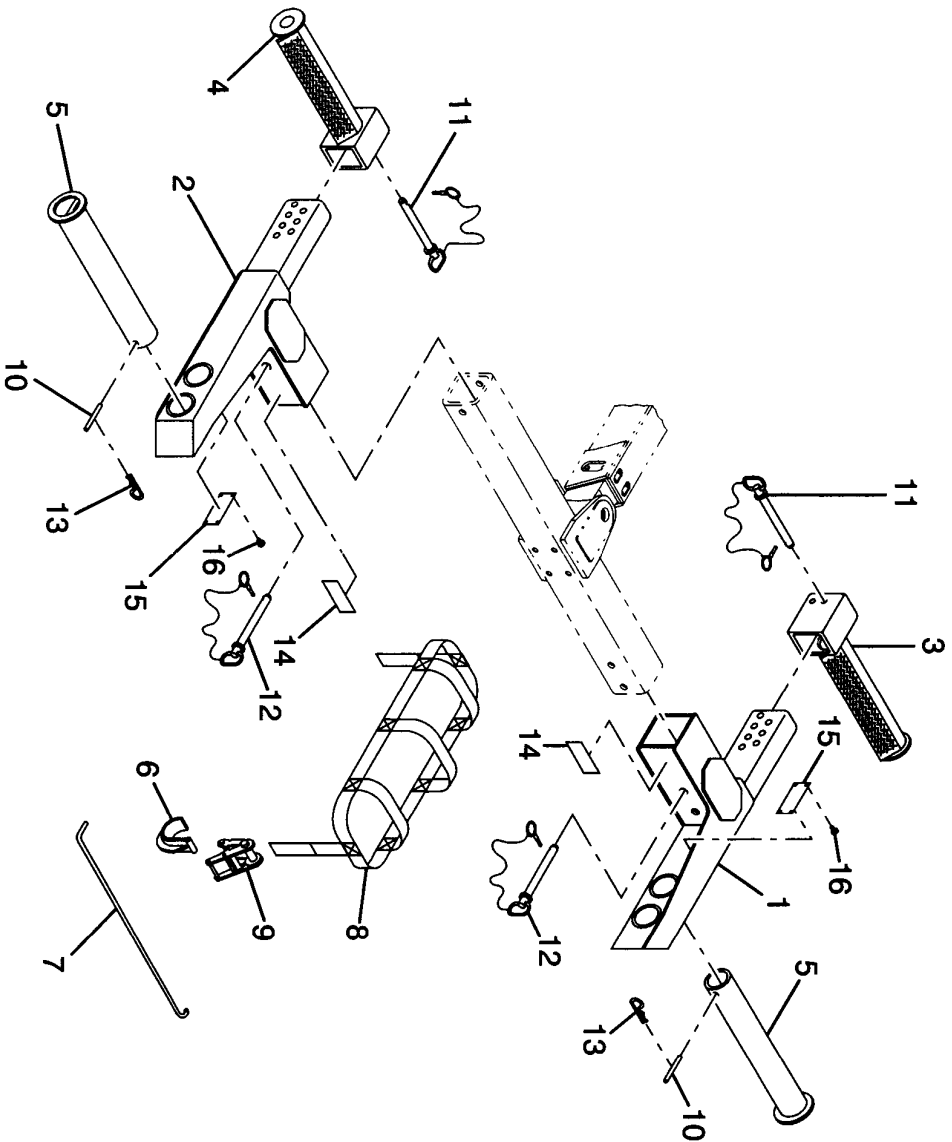
Rev. \_\_\_\_\_

Date \_\_\_\_\_

FRAME FORK ASSEMBLY



MEDIUM DUTY TIRE LIFT ASSEMBLY



---

**PARTS LIST — MEDIUM DUTY TIRE LIFT ASSEMBLY**

<b>Ref. No.</b>	<b>Part No.</b>	<b>Description</b>	<b>Qty.</b>
1	3484000036	Grid Weldment RH	1
2	3484000037	Grid Weldment LH	1
3	3020000060	Arm Weldment RH	1
4	3020000059	Arm Weldment LH	1
5	3912000011	Tube Weldment	2
6	3561000011	Hook Weldment	4
7	4561000012	Pull Hook	1
8	7894000041	Tie Strap Assy - Orange	2
	7894000037	Tie Strap Assy - Yellow	
9	7894000028	Ratchet Tie Strap	4
10	4691000356	Pin	2
11	7691000030	Pin, Hitch	2
12	7691000031	Pin, Hitch	2
13	7691000020	Hairpin	2
14	7330000325	Decal, Caution	4
15	7330000324	Decal, Medium Duty Tire Lift Rating	2
16	7759000004	Pop Rivet	8



D-9

Rev. \_\_\_\_\_

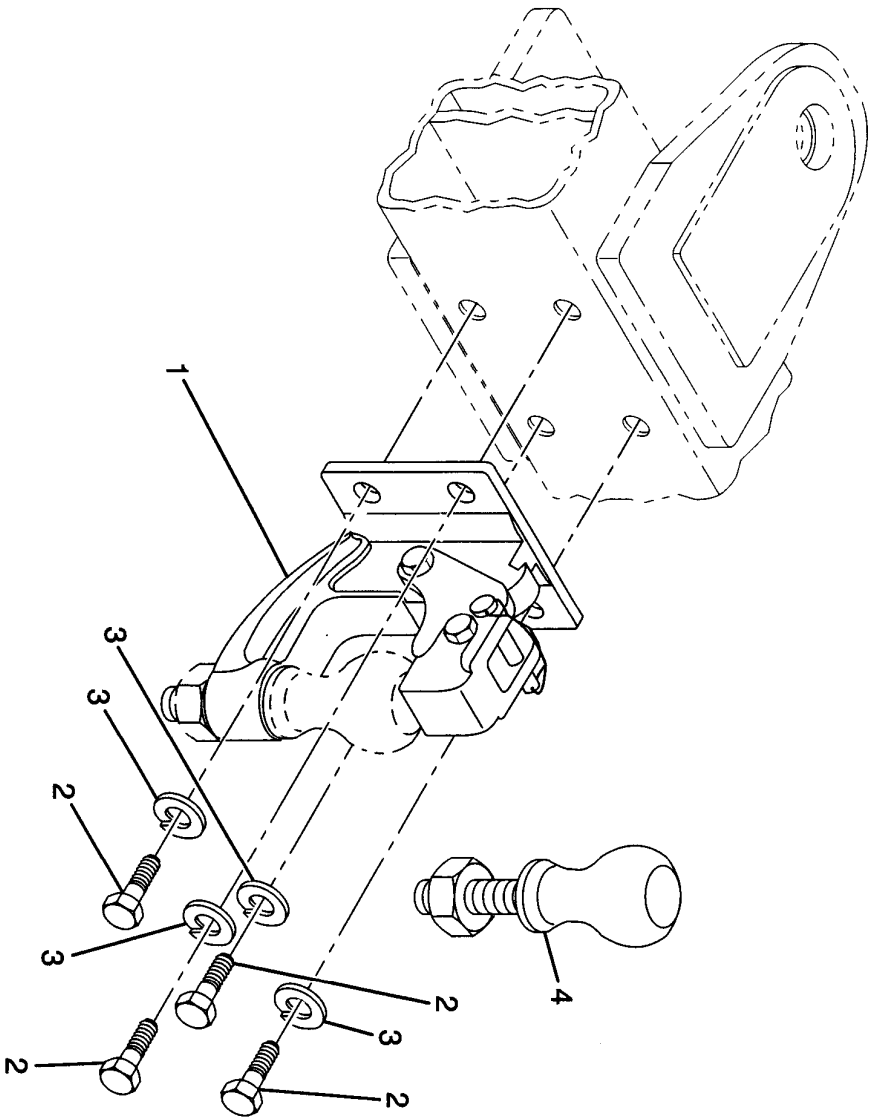
Date \_\_\_\_\_

---

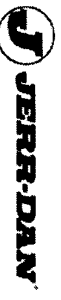
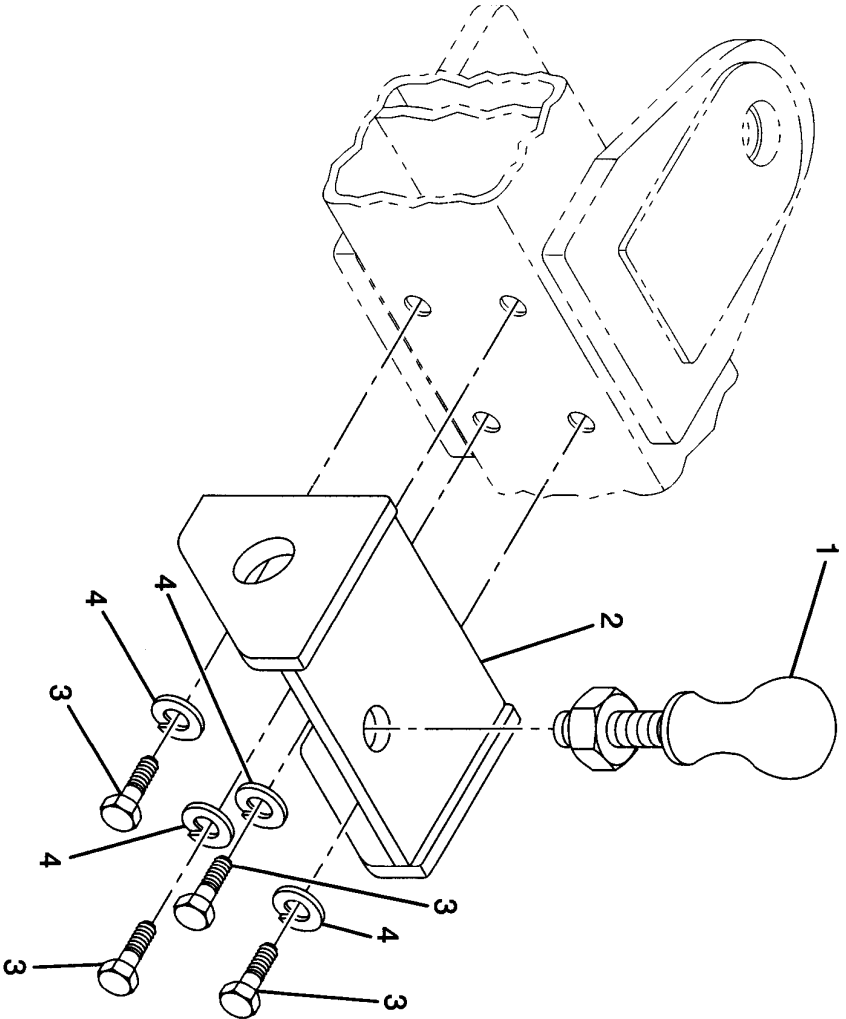
**PARTS LIST — PINTLE HOOK ASSEMBLY**

<b>Ref. No.</b>	<b>Part No.</b>	<b>Description</b>	<b>Qty.</b>
1	7561000020	Hitch Pintle Hook	1
2	7118181250	Capscrew	4
3	7950180000	Lockwasher	4
4	7056000003	1 7/8" Ball Replacement	1
	7056000004	2" Ball Replacement	
	7056000005	2 5/16" Ball Replacement	
	7056000006	50mm Ball Replacement	

PINTLE HOOK ASSEMBLY



**BALL HITCH ASSEMBLY**



D-12

Rev. \_\_\_\_\_  
Date \_\_\_\_\_

**PART LIST — BALL HITCH ASSEMBLY**

<b>Ref. No.</b>	<b>Part No.</b>	<b>Description</b>	<b>Qty.</b>
1	705600009	Ball 2 5/16"	1
	705600008	Ball 2"	
	705600007	Ball 1 7/8"	
2	3706000150	Plate Weld Ball Hitch	1
3	7115181050	Capscrew	4
4	7950180000	Lockwasher	4



D-13

Rev. \_\_\_\_\_

Date \_\_\_\_\_

---

**WRECKER BOOM  
PARTS**

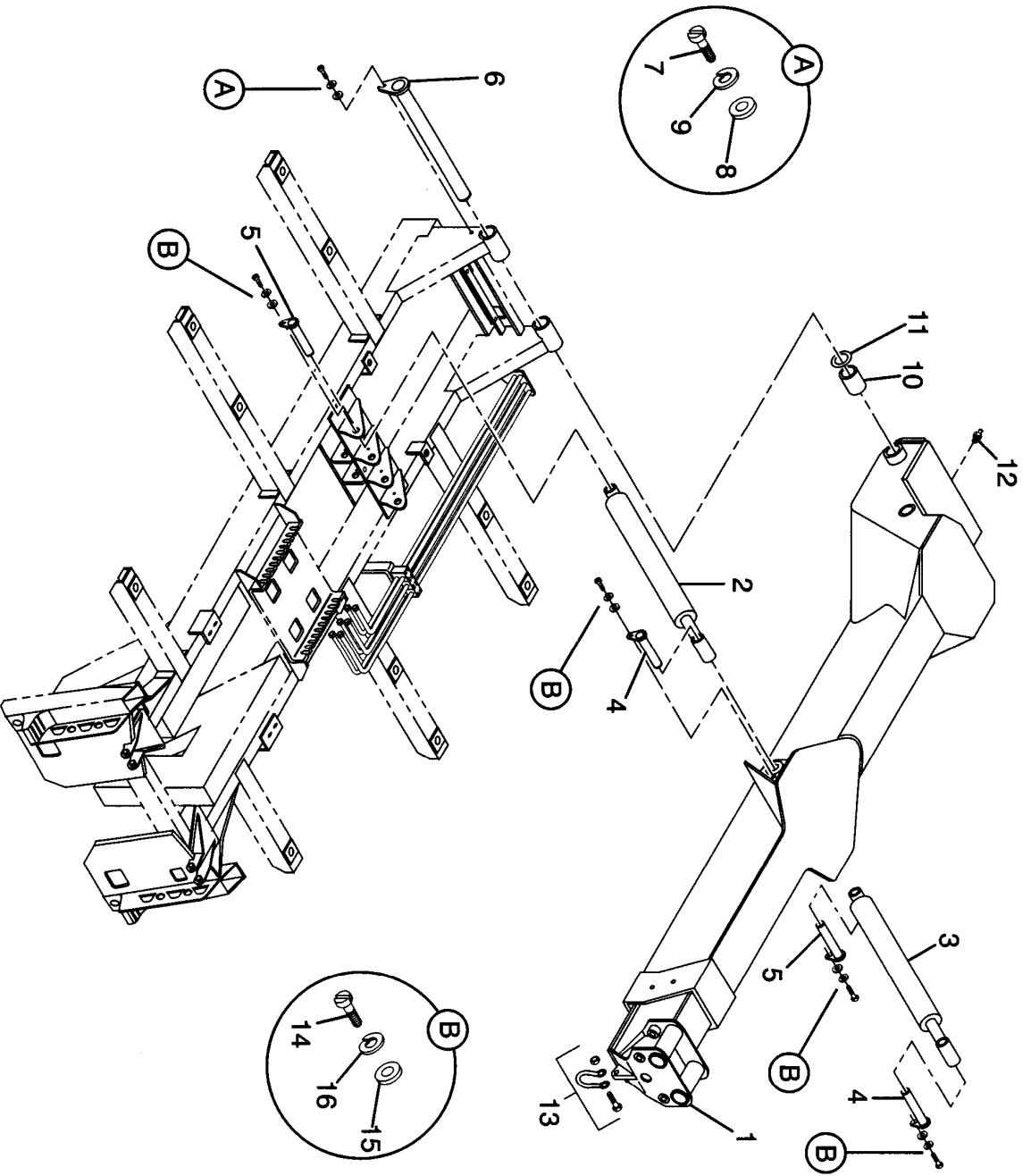
Boom Installation – 14 Ton ..... E-2  
Boom Installation – 16 Ton ..... E-5  
Boom Assembly (14 Ton) ..... E-6  
Boom Assembly (16 Ton) ..... E-9  
Boom Lift Cylinder – 16 Ton (3320000085) ..... E-10  
Boom Lift Cylinder – 14 Ton (3320000081) ..... E-13  
Boom Lift Cylinder – 14 Ton (3320000082) ..... E-14  
Boom Extension Cylinder (3320000080) ..... E-17  
Truck Bar Assembly ..... E-18  
Winch Installation ..... E-21  
Winch Parts ..... E-22

**PARTS LIST — BOOM INSTALLATION — 14 TON**

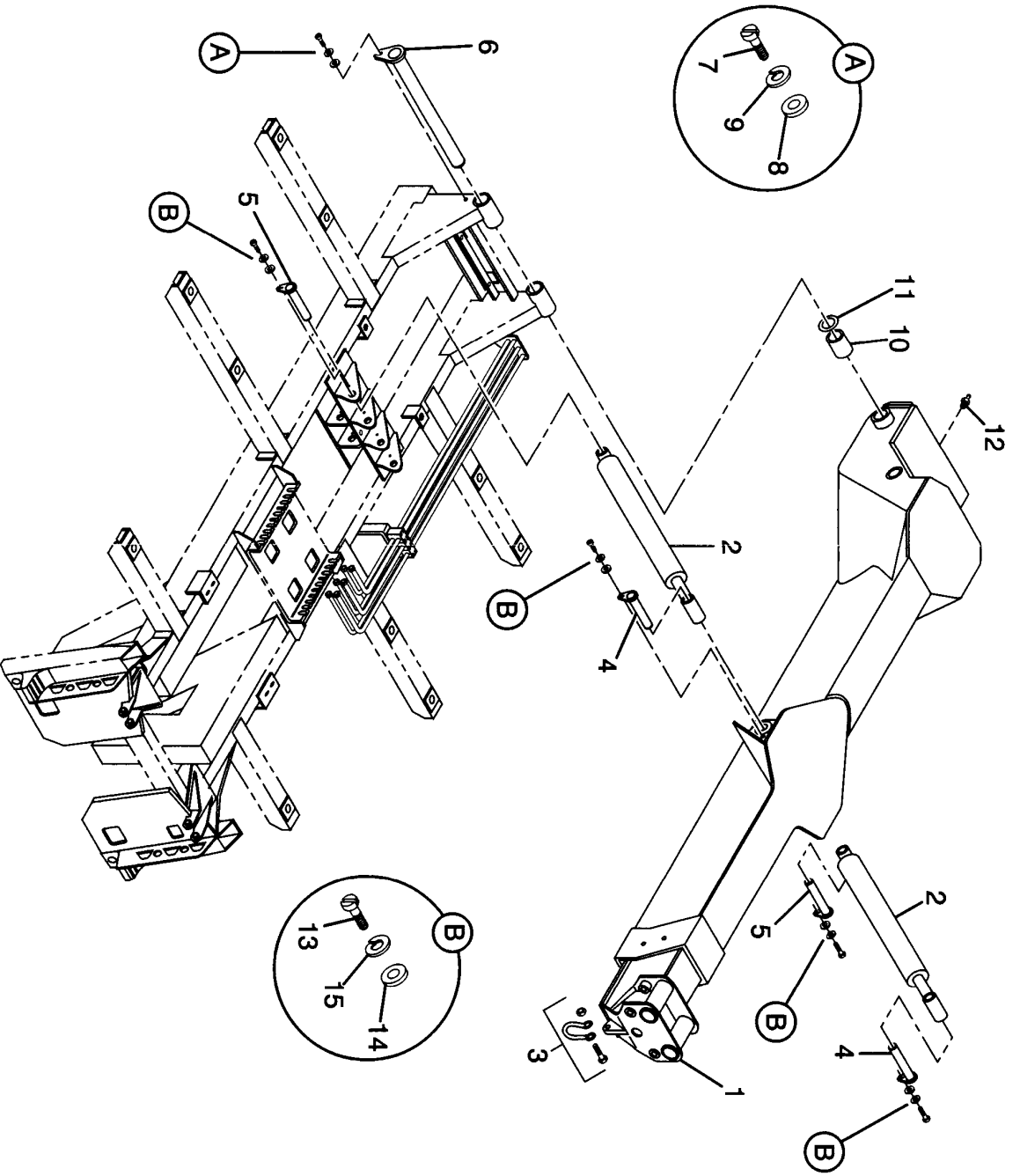
<b>Ref. No.</b>	<b>Part No.</b>	<b>Description</b>	<b>Qty.</b>
1	3170000193	Boom Assembly 14T	1
2	3320000081	Cylinder Assembly "381" LH	1
3	3320000082	Cylinder Assembly "382" RH	1
4	3691000174	Pin Weldment	2
5	3691000176	Pin Weldment	2
6	3691000175	Pin Weldment Boom Pivot	1
7	7115160850	Capscrew	1
8	7950160161	Flatwasher	1
9	7950160000	Lockwasher	1
10	7209000039	Bushing	2
11	4949000053	Shim .06	2
	4949000054	Shim .09	
12	7440030000	Grease Fitting	1
13	7804000003	Shackle, Anchor	1
14	7115150850	Capscrew	4
15	7950150161	Flatwasher	4
16	7950150000	Lockwasher	4



BOOM INSTALLATION - 14 TON



BOOM INSTALLATION - 16 TON



**PARTS LIST — BOOM INSTALLATION — 16 TON**

<b>Ref. No.</b>	<b>Part No.</b>	<b>Description</b>	<b>Qty.</b>
1	3170000200	Boom Assembly 16 Ton	1
2	3320000085	Cylinder Assembly Boom Lift 16T	2
3	7804000003	Shackle, Anchor	1
4	3691000174	Pin Weldment	2
5	3691000176	Pin Weldment	2
6	3691000175	Pin Weldment	1
7	7115160850	Capscrew	1
8	7950160161	Flatwasher	1
9	7950160000	Lockwasher	1
10	7209000039	Bushing	2
11	4949000053	Shim .06	2
	4949000054	Shim .09	
12	7440030000	Grease Fitting	1
13	7115150850	Capscrew	4
14	7950150161	Flatwasher	4
15	7950150000	Washer	4



E-5

Rev. \_\_\_\_\_

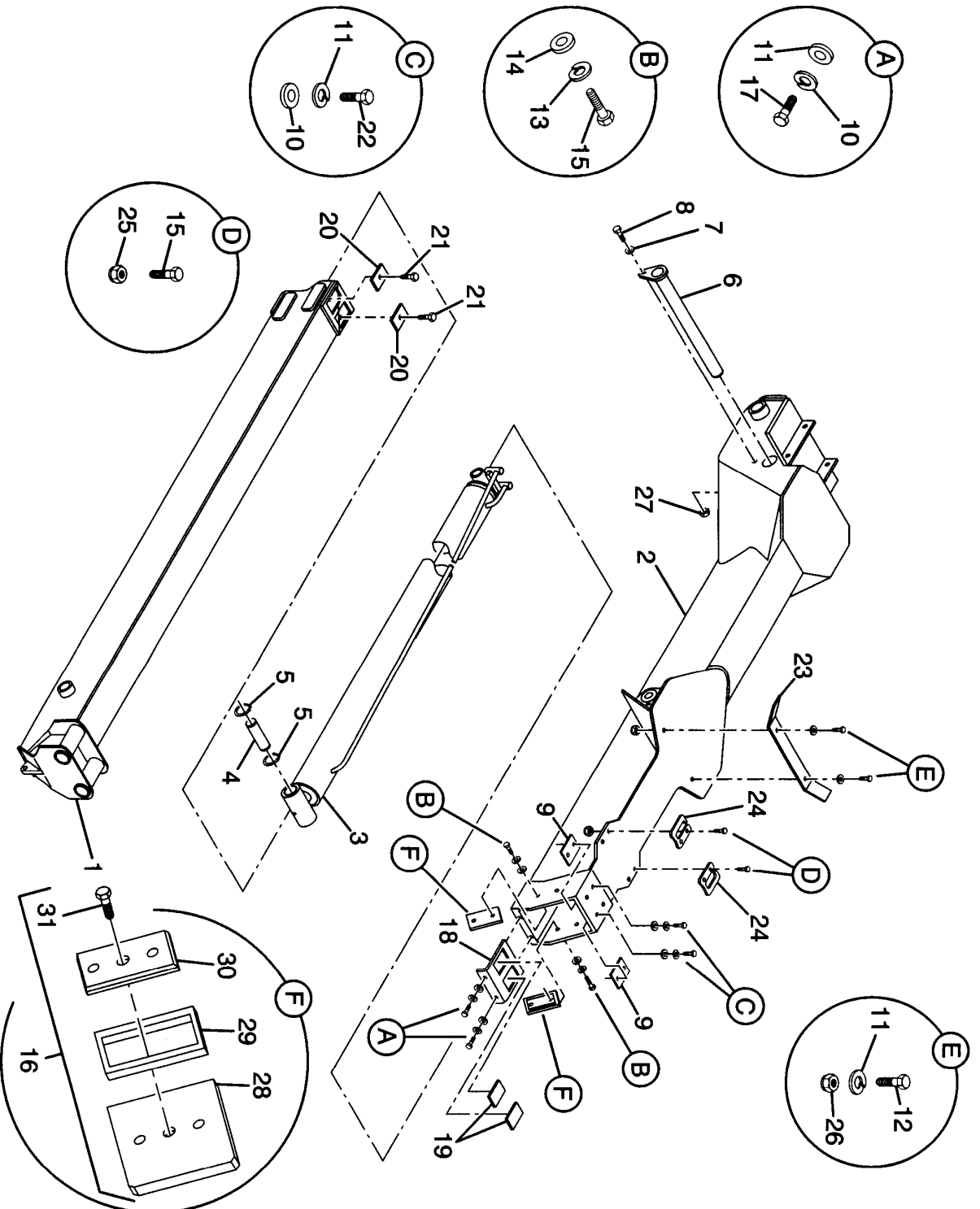
Date \_\_\_\_\_

**PARTS LIST — BOOM ASSEMBLY (14 TON)**

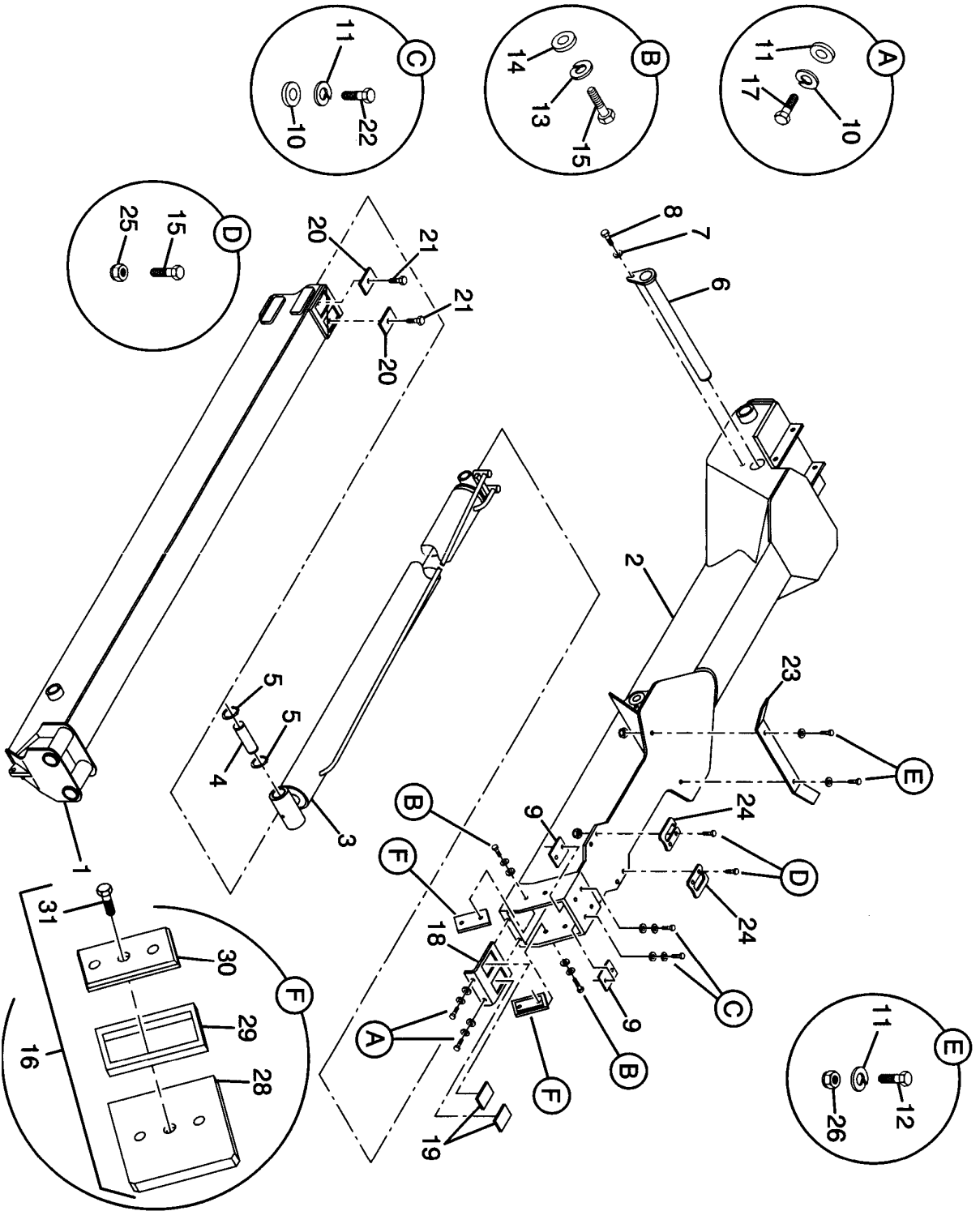
<b>Ref. No.</b>	<b>Part No.</b>	<b>Description</b>	<b>Qty.</b>
1	3170000192	Boom Weld Inner	1
2	3170000191	Boom Outer Weld	1
3	3320000080	Boom Extend Cylinder Assembly "380"	1
4	4691000333	Pin	1
5	7754000043	Retaining Ring	2
6	3691000173	Pin Weldment	1
7	7950160251	Washer	1
8	7115161250	Capscrew	1
9	4831000061	Spacer	2
10	7950180000	Lockwasher	6
11	7950180153	Flatwasher	8
12	7115181250	Capscrew	2
13	7950160000	Lockwasher	4
14	7950160153	Flatwasher	4
15	7115161050	Capscrew	8
16	3679000012	Pad Assembly	2
17	7115180850	Capscrew	2
18	4706002828	Plate	1
19	4679000177	Pad	2
20	4679000176	Pad	2
21	7118140423	Capscrew	2
22	7115180750	Capscrew	4
23	4062000376	Bar	1
24	4706002899	Plate	2
25	7660162601	Locknut	4
26	7660182601	Locknut	2
27	7660160000	Nut	1
28	4706002830	Plate	2
29	4706002829	Plate	2
30	4679000178	Pad	2
31	7118140423	Capscrew	2



BOOM ASSEMBLY (14 TON)



**BOOM ASSEMBLY (16 TON)**



---

**PARTS LIST — BOOM ASSEMBLY (16 TON)**

<b>Ref. No.</b>	<b>Part No.</b>	<b>Description</b>	<b>Qty.</b>
1	3170000192	Boom Weld Inner	1
2	3170000199	Boom Weld Outer	1
3	3320000080	Boom Extend Cylinder Assembly "380"	1
4	4691000333	Pin	1
5	7754000043	Retaining Ring	2
6	3691000173	Pin Weldment	1
7	7950160251	Washer	1
8	7115161250	Capscrew	1
9	4831000061	Spacer	2
10	7950180000	Lockwasher	6
11	7950180153	Flatwasher	8
12	7115181250	Capscrew	2
13	7950160000	Lockwasher	4
14	7950160153	Flatwasher	4
15	7115161050	Capscrew	8
16	3679000012	Pad Assembly	2
17	7115180850	Capscrew	2
18	4706002828	Plate	1
19	4679000177	Pad	2
20	4679000176	Pad	2
21	7118140423	Capscrew	2
22	7115180750	Capscrew	4
23	4062000376	Bar	1
24	4706002899	Plate	2
25	7660162601	Locknut	4
26	7660182601	Locknut	2
27	7660160000	Nut	1
28	4706002830	Plate	2
29	4706002829	Plate	2
30	4679000178	Pad	2
31	7118140423	Capscrew	2



E-9

Rev. \_\_\_\_\_

Date \_\_\_\_\_

**PARTS LIST — BOOM LIFT CYLINDER — 16 TON  
332000085**

<b>Ref. No.</b>	<b>Part No.</b>	<b>Description</b>	<b>Qty.</b>
1	3071000079	Barrel Weldment	1
2	3763000095	Rod Weldment	1
3	4698000017	Piston	1
4	4553000018	Head	1
5	7754000065*	Ring, Piston Wear	2
6	7754000066*	Ring, Rod Wear	1
7	7796000061*	Seal, Piston	1
8	7796000025*	Seal Rod	1
9	7755226000*	Ring "O"	1
10	7755346000*	Ring "O"	1
11	7796000011*	Seal Rod Wiper	1
12	7755226609*	Ring Backup	2
13	7660342031	Nut	1
14	7755346609*	Ring Backup	1
15	4254000014	Cap	1
16	7440030000	Grease Fitting	2
17	7253000002	Fitting Cap	2

\* Available only in Service Kit 7577250236.

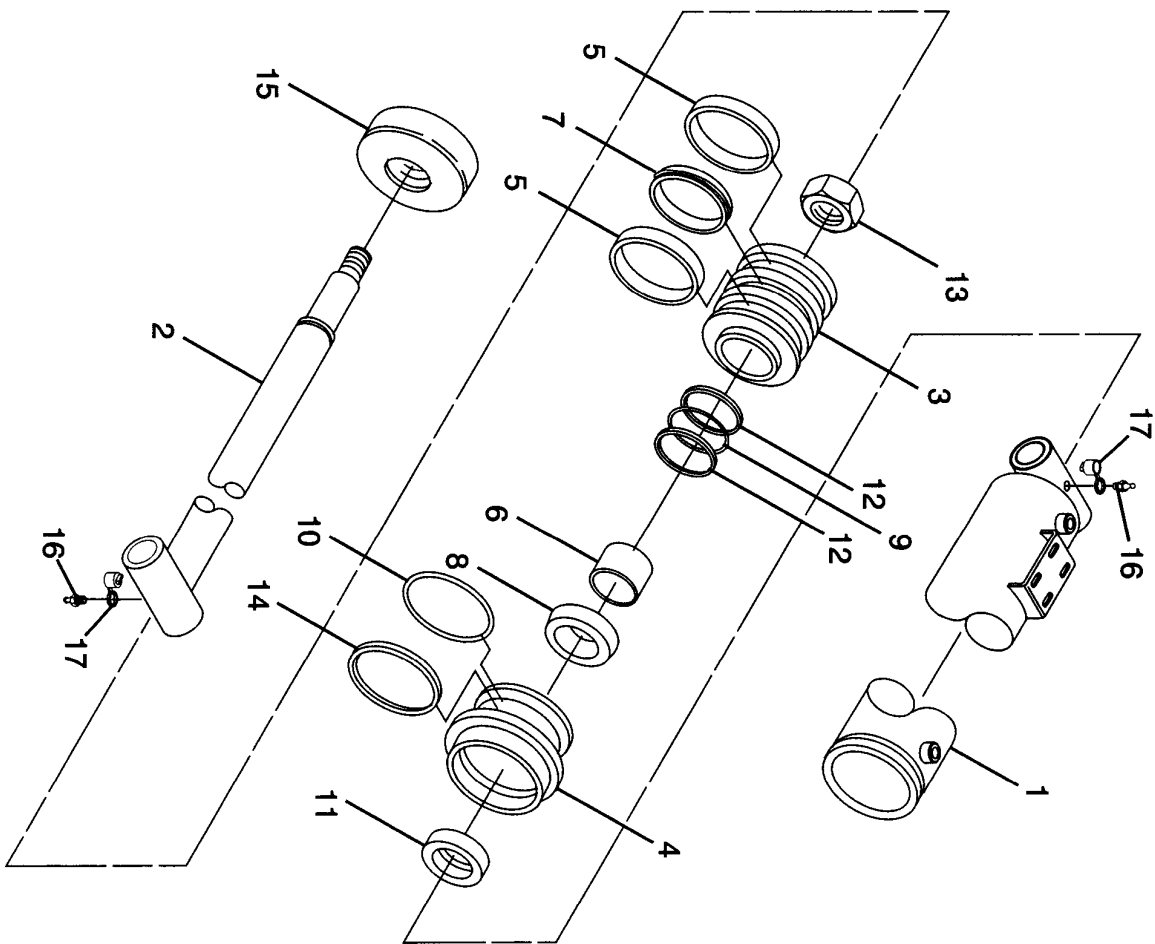


E-10

Rev. \_\_\_\_\_

Date \_\_\_\_\_

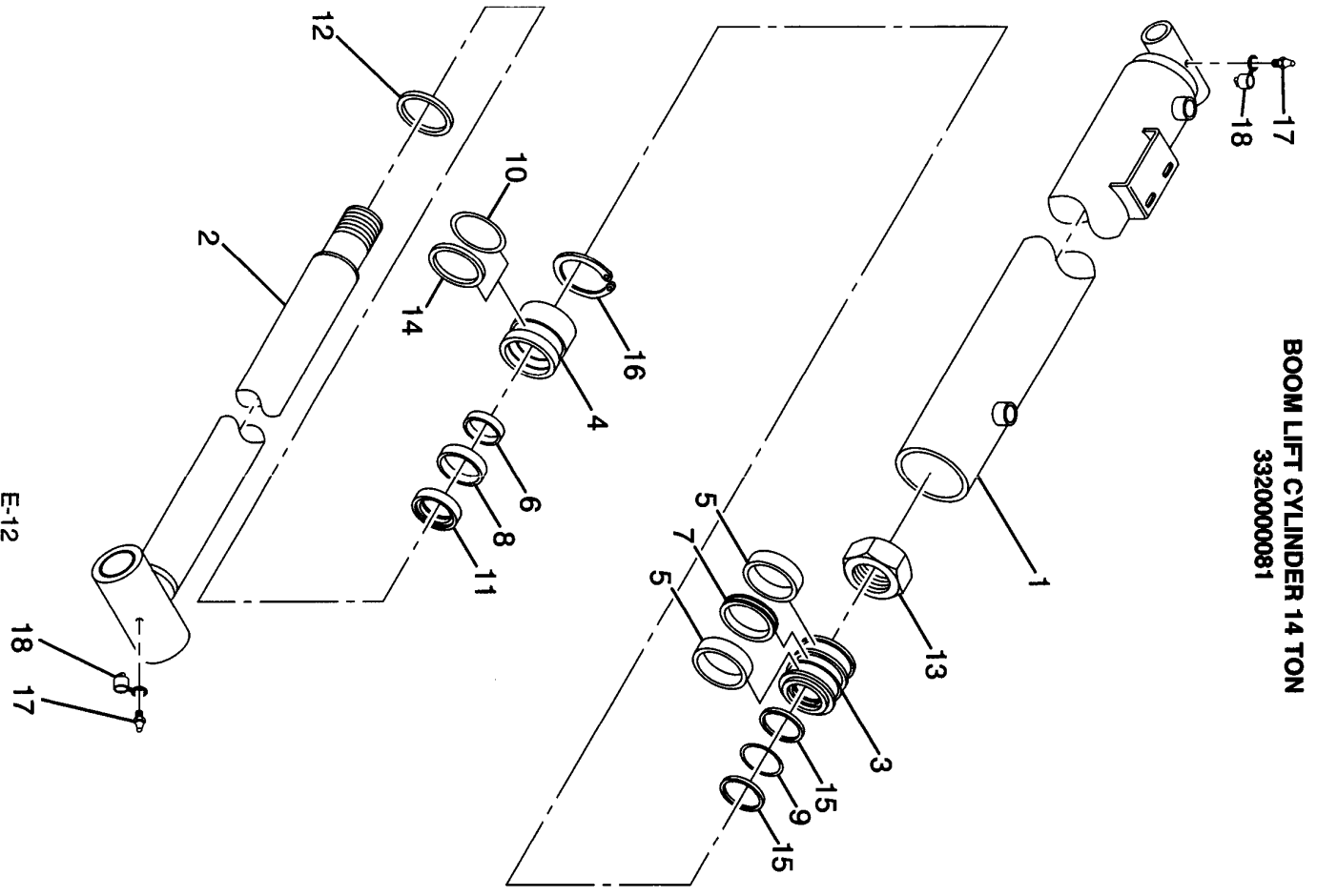
**BOOM LIFT CYLINDER - 16 TON**  
3320000085



E-11

Rev. \_\_\_\_\_  
Date \_\_\_\_\_

**BOOM LIFT CYLINDER 14 TON**  
3320000081



E-12



Rev. \_\_\_\_\_  
Date \_\_\_\_\_

**PARTS LIST — BOOM LIFT CYLINDER — 14 TON  
332000081**

<b>Ref. No.</b>	<b>Part No.</b>	<b>Description</b>	<b>Qty.</b>
1	3071000075	Barrel Weldment	1
2	3763000095	Rod Weldment	1
3	4698000008	Piston	1
4	4553000009	Head	1
5	7754000011*	Ring Piston Wear	2
6	7754000012*	Ring Piston Wear	1
7	7796000065*	Seal Piston Parker	1
8	7796000025*	Seal Rod	1
9	7755226000*	Ring "O"	1
10	7755342000*	O-Ring	1
11	7796000011*	Seal Rod Wiper	1
12	7754000013	Ring Retaining	1
13	7660342031	Nut	1
14	7755342609*	Ring	1
15	7755226609*	Ring Backup	2
16	7754000028	Ring Retaining	1
17	7440030000	Grease Fitting	2
18	7253000002	Fitting Cap	2

\* Available only in Service Kit 7577250044.



E-13

Rev. \_\_\_\_\_

Date \_\_\_\_\_

**PARTS LIST — BOOM LIFT CYLINDER — 14 TON  
332000082**

<b>Ref. No.</b>	<b>Part No.</b>	<b>Description</b>	<b>Qty.</b>
1	3071000076	Barrel Weldment	1
2	3763000095	Rod Weldment	1
3	4698000008	Piston	1
4	4553000009	Head	1
5	7754000011*	Ring Piston Wear	2
6	7754000012*	Ring Piston Wear	1
7	7796000065*	Seal Piston	1
8	7796000025*	Seal Rod	1
9	7755226000*	Ring "O"	1
10	7755342000*	O-Ring	1
11	7796000011*	Seal Rod Wiper	1
12	7754000013	Ring Retaining	1
13	7660341631	Nut	1
14	7755342609*	Ring Backup	1
15	7755226609*	Ring Backup	2
16	7754000028	Ring Retaining	1
17	7440030000	Grease Fitting	1
18	7253000002	Fitting Cap	1

\* Available only in Service Kit 7577250044.

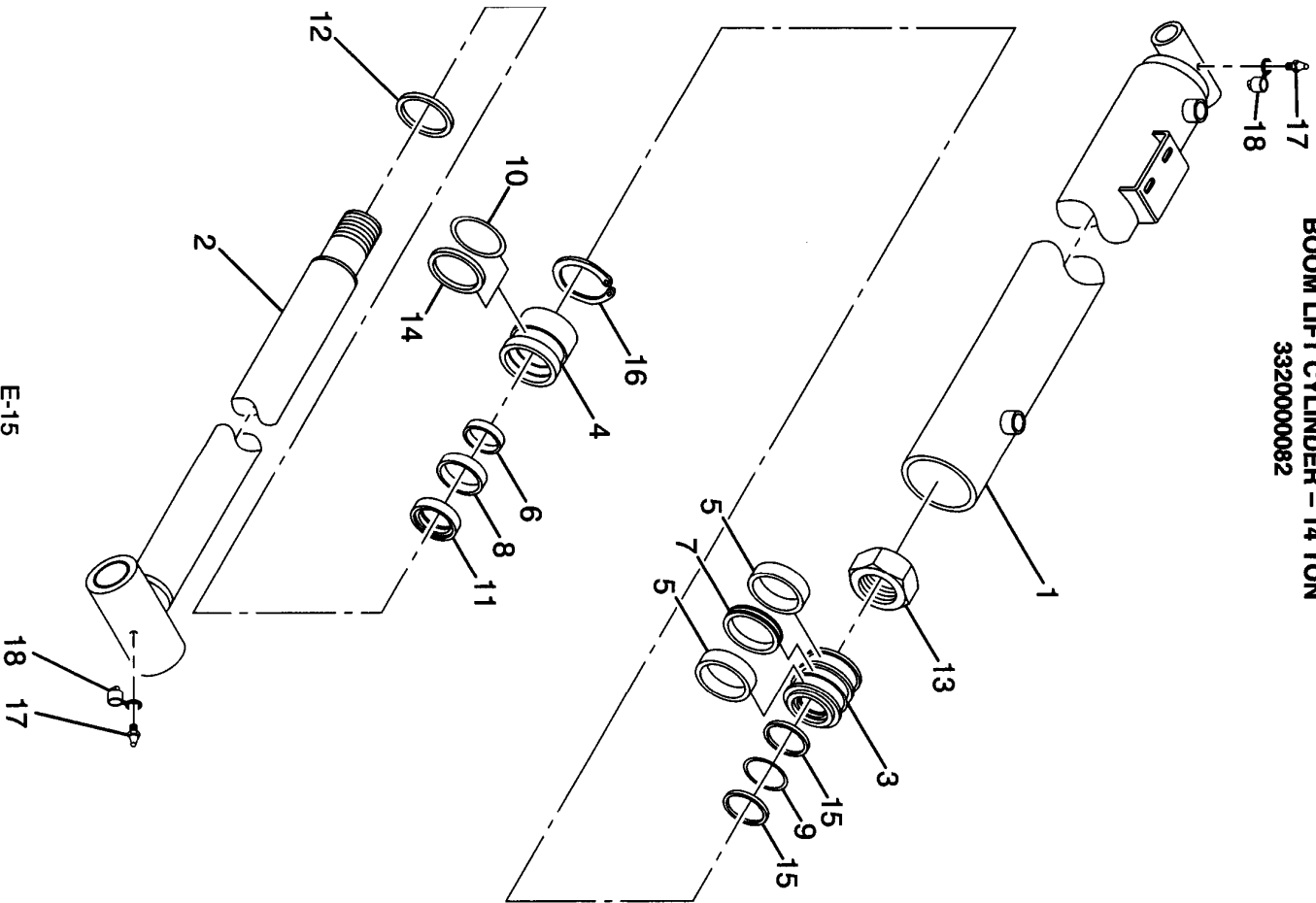


E-14

Rev. \_\_\_\_\_

Date \_\_\_\_\_

**BOOM LIFT CYLINDER - 14 TON**  
3320000082

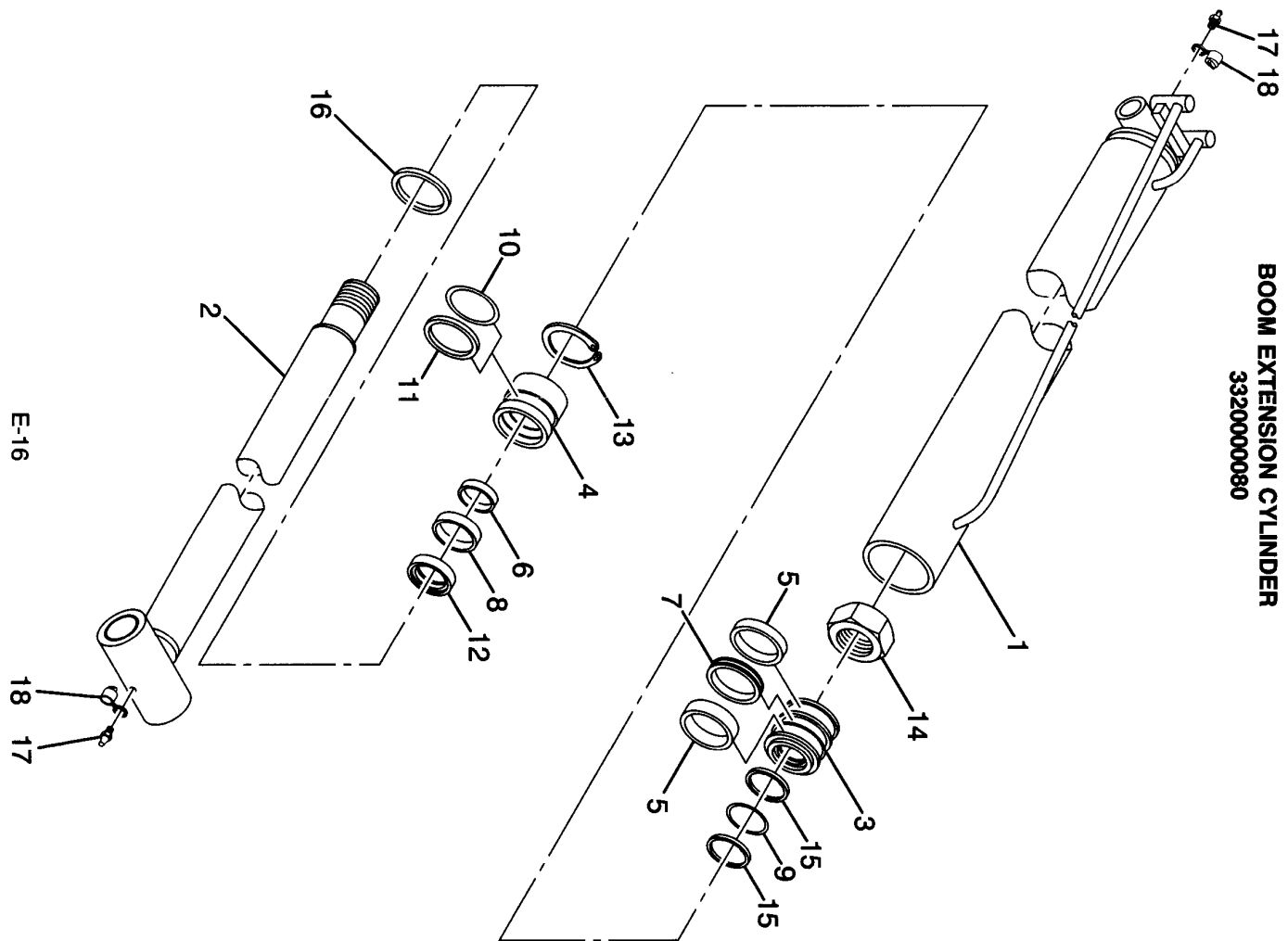


E-15



Rev. \_\_\_\_\_  
Date \_\_\_\_\_

**BOOM EXTENSION CYLINDER**  
3320000080



E-16



Rev. \_\_\_\_\_  
Date \_\_\_\_\_

**PARTS LIST — BOOM EXTENSION CYLINDER  
332000080**

<b>Ref. No.</b>	<b>Part No.</b>	<b>Description</b>	<b>Qty.</b>
1	3071000074	Barrel Weldment	1
2	3763000094	Rod Weldment	1
3	4698000009	Piston	1
4	4553000010	Head	1
5	7796000013*	Ring Wear	2
6	7754000012*	Ring Piston Wear	1
7	7796000064*	Seal Piston	1
8	7796000025*	Seal Rod	1
9	7755226000*	Ring "O"	1
10	7755338000*	Ring "O"	1
11	7755338609*	Ring Backup	1
12	7796000011*	Seal Rod Wiper	1
13	7754000016	Ring Retaining	1
14	7660342031	Nut	1
15	7755226609*	Ring Backup	2
16	7754000027	Ring Retaining	1
17	7440030000	Grease Fitting	2
18	7253000002	Fitting Cap	2

\* Available only in Service Kit 7577250025.



E-17

Rev. \_\_\_\_\_

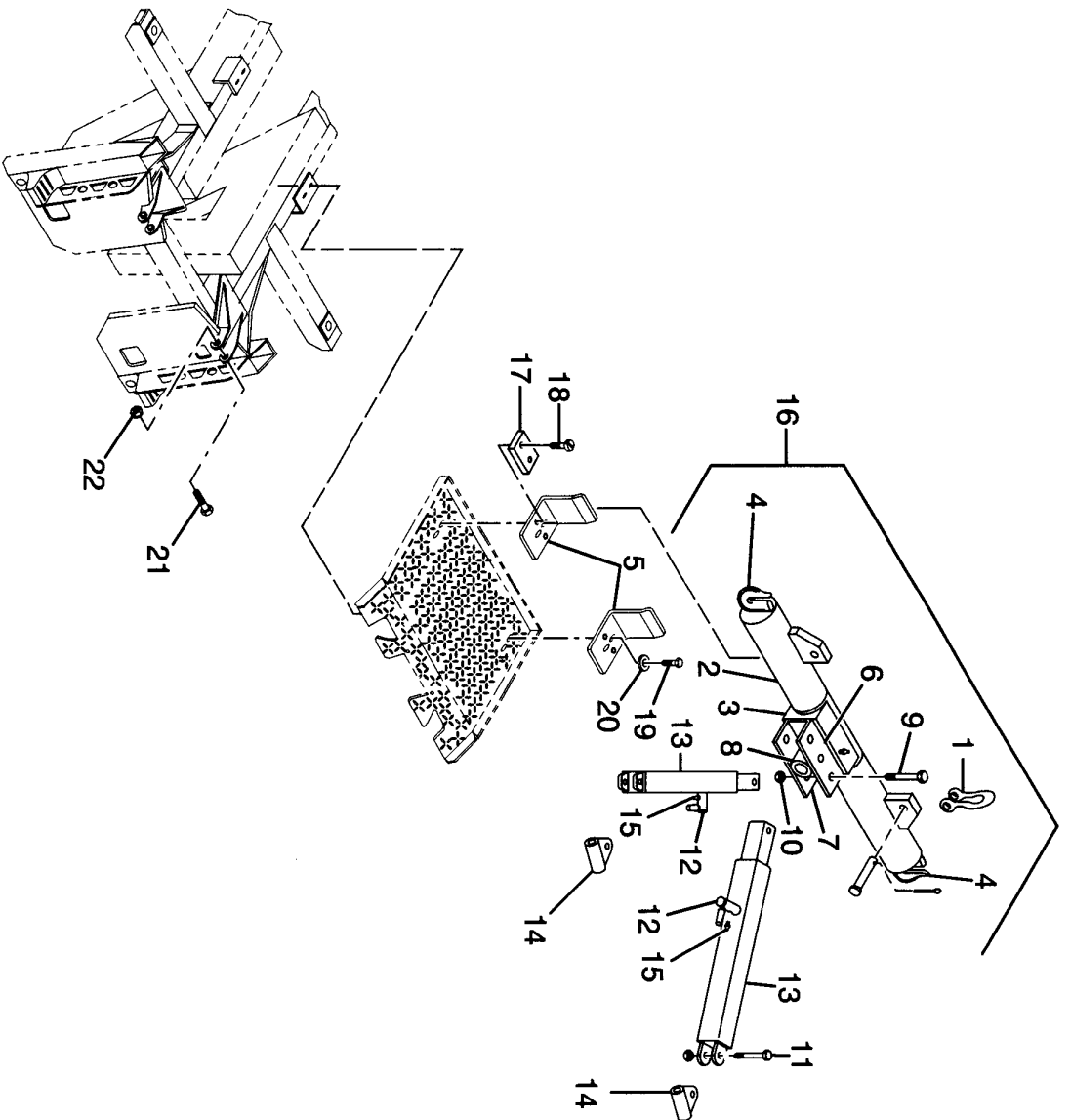
Date \_\_\_\_\_

**PARTS LIST — TRUCK BAR ASSEMBLY**

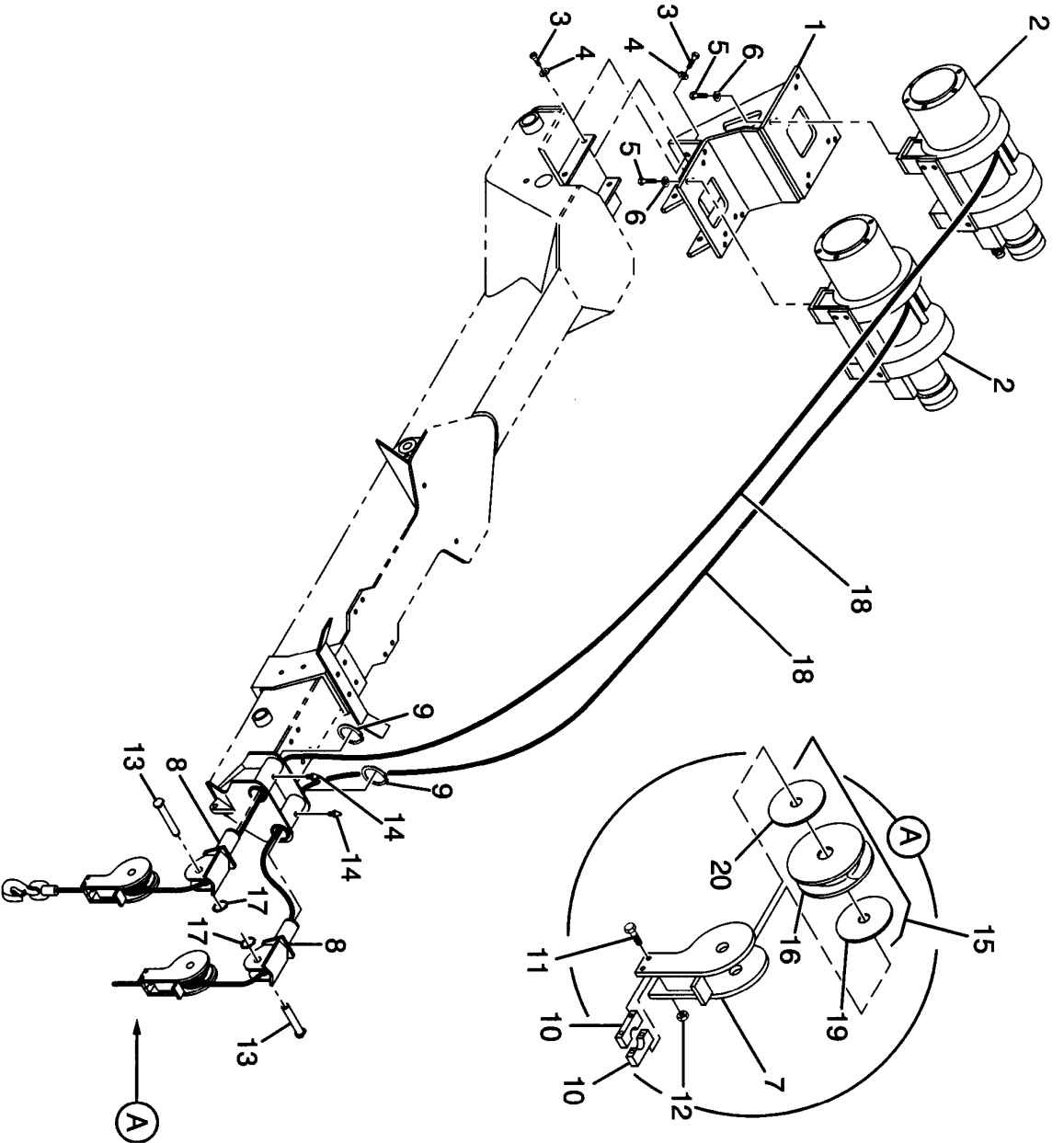
<b>Ref. No.</b>	<b>Part No.</b>	<b>Description</b>	<b>Qty.</b>
1	3912000016	Lift Bar Complete	1
2	3912000015	Outer Lifting Sleeve Complete	2
3	3263000091	Center Saddle	1
4	7561000023	Grab Hook	2
5	7804000002	Shackle w/ Pin & Clip	2
6	4209000196	Spacer Bushing	1
7	3263000092	Swivel Block Channel	1
8	4209000195	End Cap Bushing	1
9	7115223250	Bolt	2
10	7660222501	Locknut	2
11	7115222850	Bolt	2
12	3551000011	Cam Lock	2
13	3913000073	Spacer Bar	2
14	3309000008	Knuckle	2
15	7440030000	Grease Fitting	3
16	7002000355	Truck Bar Assembly	1
17	7679000010	Pad	2
18	7114100610	Screw	4
19	7115141250	Capscrew	4
20	7950140141	Flatwasher	4
21	7120000031	Bolt	2
22	7660222601	Locknut	2



TRUCK BAR ASSEMBLY



WINCH INSTALLATION



---

**PARTS LIST — WINCH INSTALLATION**

<b>Ref. No.</b>	<b>Part No.</b>	<b>Description</b>	<b>Qty.</b>
1	3073000008	Base Weldment Winch	1
2	7970000080	Winch	2
3	7118221616	Capscrew	6
4	7660222308	Locknut	6
5	7118181216	Capscrew	16
6	7950180000	Lockwasher	16
7	3249000014	Weldment Cable Guide	2
8	3249000013	Weldment Sheave Support	2
9	7754000049	Ring, Retaining	2
10	4249000003	Cable Guide	4
11	7115142050	Capscrew	2
12	7660141600	Locknut	2
13	3691000181	Pin Weldment Sheave	2
14	7440003000	Grease Fitting	2
15	3577000052	Kit Shim Sheave Pin	1
16	7809000007	Sheave	2
17	7754000058	Ring, Retaining	2
18	7248000059	Cable Assy	2
19	4949000055	Washer	4
20	4949000056	Washer	4



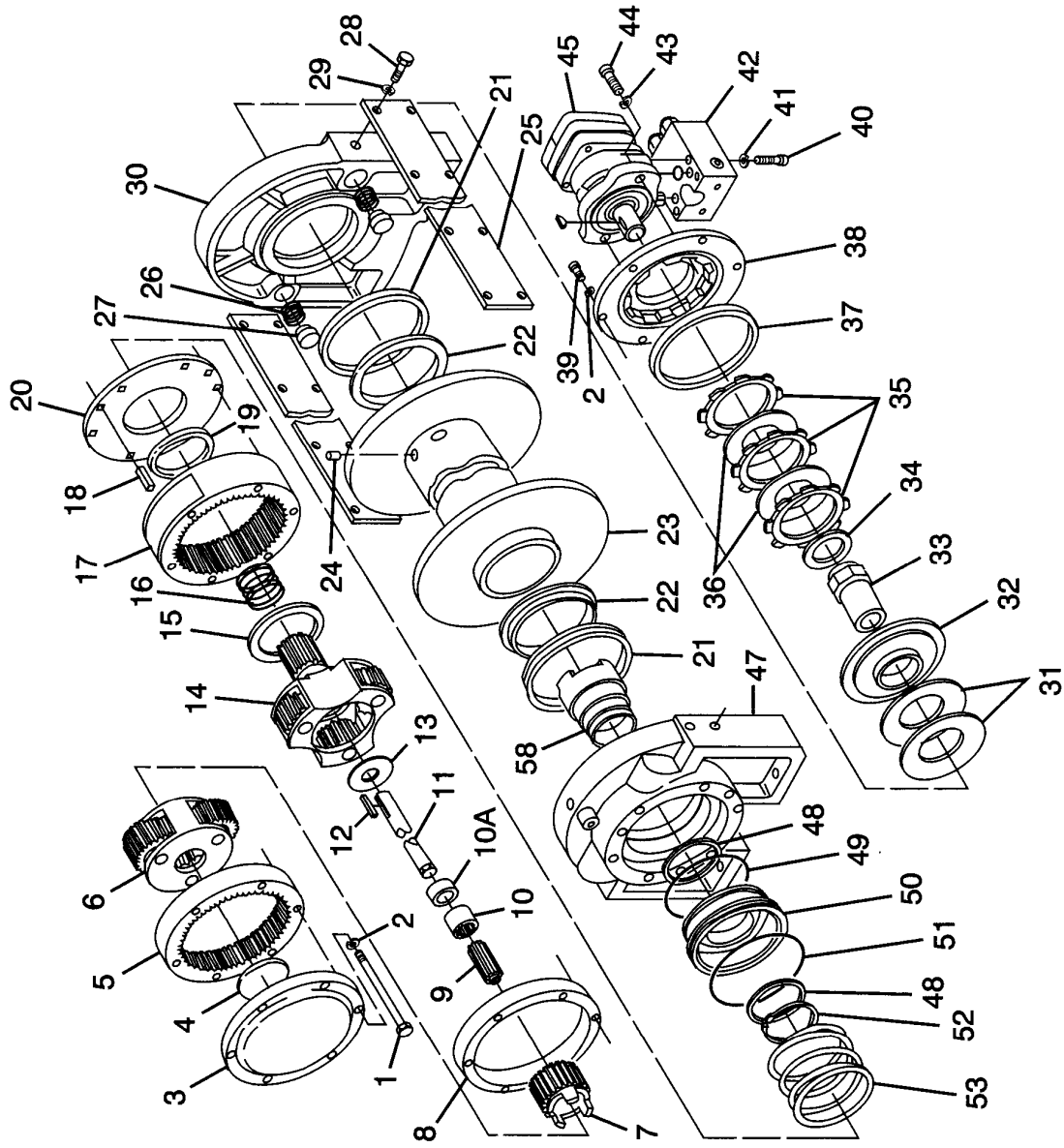
**PARTS LIST — WINCH PARTS**

Ref. No.	Part No.	Description	Qty.	Ref. No.	Part No.	Description	Qty.
1	9120960032	Bolt, Hex Head	6	30	9571960007	Housing, Brake	1
2	9949960022	Lockwasher	16	31	9843960029	Spring, Disc	2
3	9314960019	Cover, Gearbox	1	32	9706960042	Plate, Pressure	1
4	9679960003	Pad, Thrust 1st Stage	1	33	9180960012	Brake, Rotor	1
5	9472960047	Gear, Ring 1st Stage	1	34	9949960023	Washer, Rotor Thrust	1
6	9472960045	Carrier, Assembly 1st Stage	1	35	9706960044	Plate, Stationary Disc	3
7	9472960051	Gear, Sun 2nd Stage	1	36	9706960043	Plate, Rotating Disc	2
8	9754960040	Ring, Gear Spacer	1	37	**	Seal, Brake Release "J"	1
9	9472960050	Gear, Sun 1st Stage	1	38	9577960129	Kit, Motor Mounting Plate	1
10	9309960010	Coupling, Drive Shaft	1	39	9120960031	Bolt, Hex Head	8
10a	9831960012	Spacer, Coupling	1	40	9120960029	Bolt, Hex Head	4
11	9806960018	Shaft, Drive	1	41	9949960019	Lockwasher	4
12	9575960011	Key	1	42	9619960001	Manifold	1
13	9949960026	Washer, Thrust 2nd Stage	1	43	9949960020	Lockwasher	2
14	9472960046	Carrier, Assembly 2nd Stage	1	44	9120960030	Bolt, Hex Head	2
15	9949960025	Washer, Thrust 2nd Carrier	1	45	9626960016	Motor, Hydraulic	1
16	9843960031	Spring, Wave	1	46	9472960049	Gear, Sliding Dog	1
17	9472960048	Gear, Ring 2nd Stage	1	47	9571960008	Housing, Gear Box Assembly	1
18	9691960023	Pin, Spring	3	48	9949960024	Washer, Thrust	2
19	9796960102	Seal, Carrier Body Oil	1	49	9796960103	Seal, "O" Ring	1
20	9831960013	Spacer, Ring Gear	1	50	9696960011	Piston, Freespool	1
21	9796960105	Seal, "V" Face	2	51	9796960104	Seal, "O" Ring	1
22	9082960017	Bearing, Drum	2	52	9754960041	Ring, Retaining	1
23	9970960021	Drum, Assembly	1	53	9843960028	Spring	1
24	9786960007	Screw, Socket Head Set	1	NS	9443960004	Fitting, Bleed Nipple	3
25	9062960003	Bar, Tie	2	NS	9443960022	Fitting, Hydraulic	1
26	9843960030	Spring, Drag Button Tensioner	2	NS	9570960002	Hose Assembly	1
27	9180960013	Tensioner, Drag Button	2				
28	9120960028	Bolt	8				
29	9949960021	Lockwasher	8				

\*\* Sold only with Item #38 9577960129.



WINCH PARTS



Rev. \_\_\_\_\_  
Date \_\_\_\_\_

---

## **SCHEMATICS**

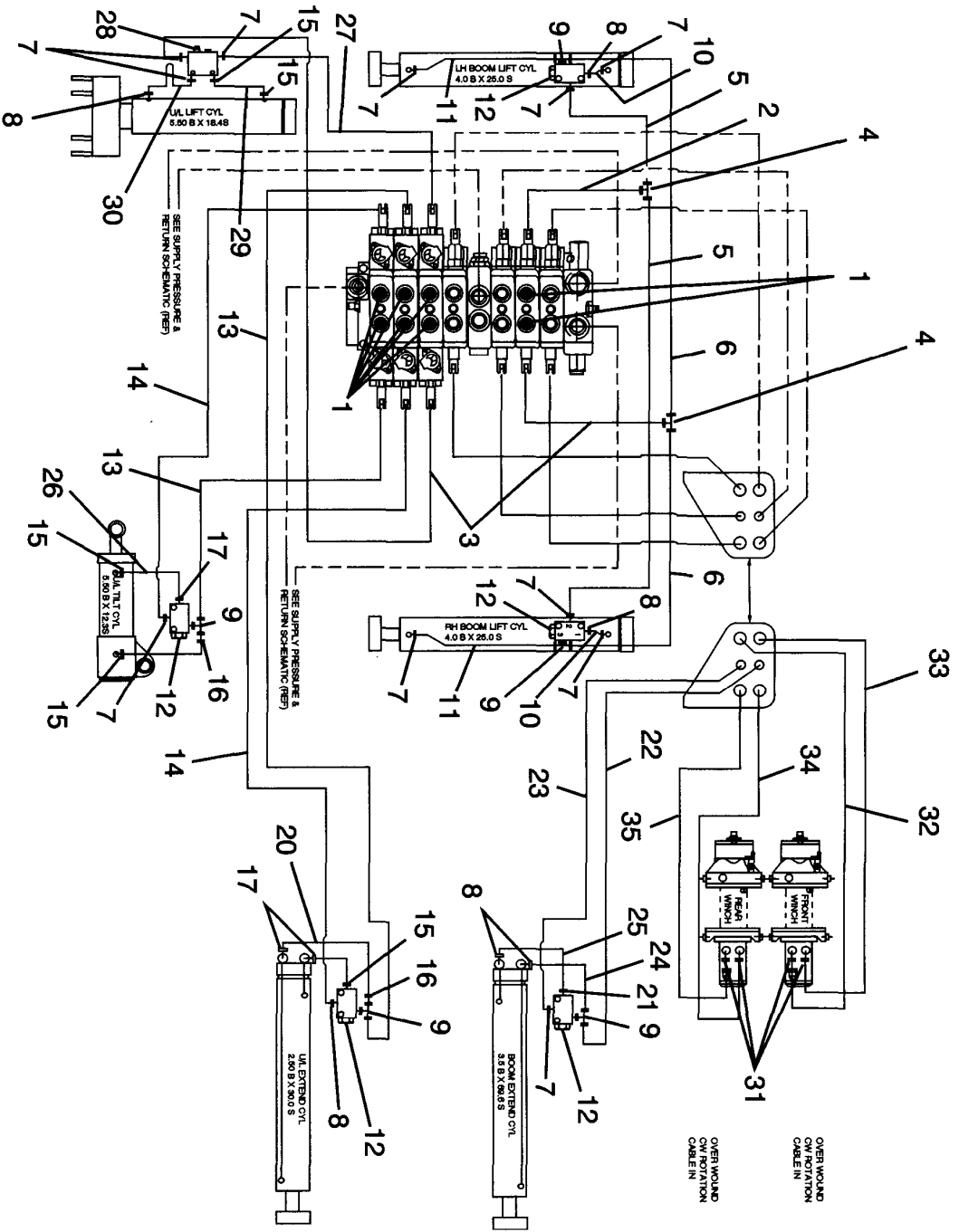
Hydraulic Lines and Fittings for Manual Spade .....	F2
Hydraulic Lines and Fittings for Hydraulic Spade .....	F5
Body Lights and Wiring .....	F6
Emergency Lights .....	F10
Trailer Towing .....	F13
Decal Installation .....	F14
Winch Air Schematic .....	F18

**PARTS LIST — HYDRAULIC LINES AND FITTINGS FOR  
MANUAL SPADE**

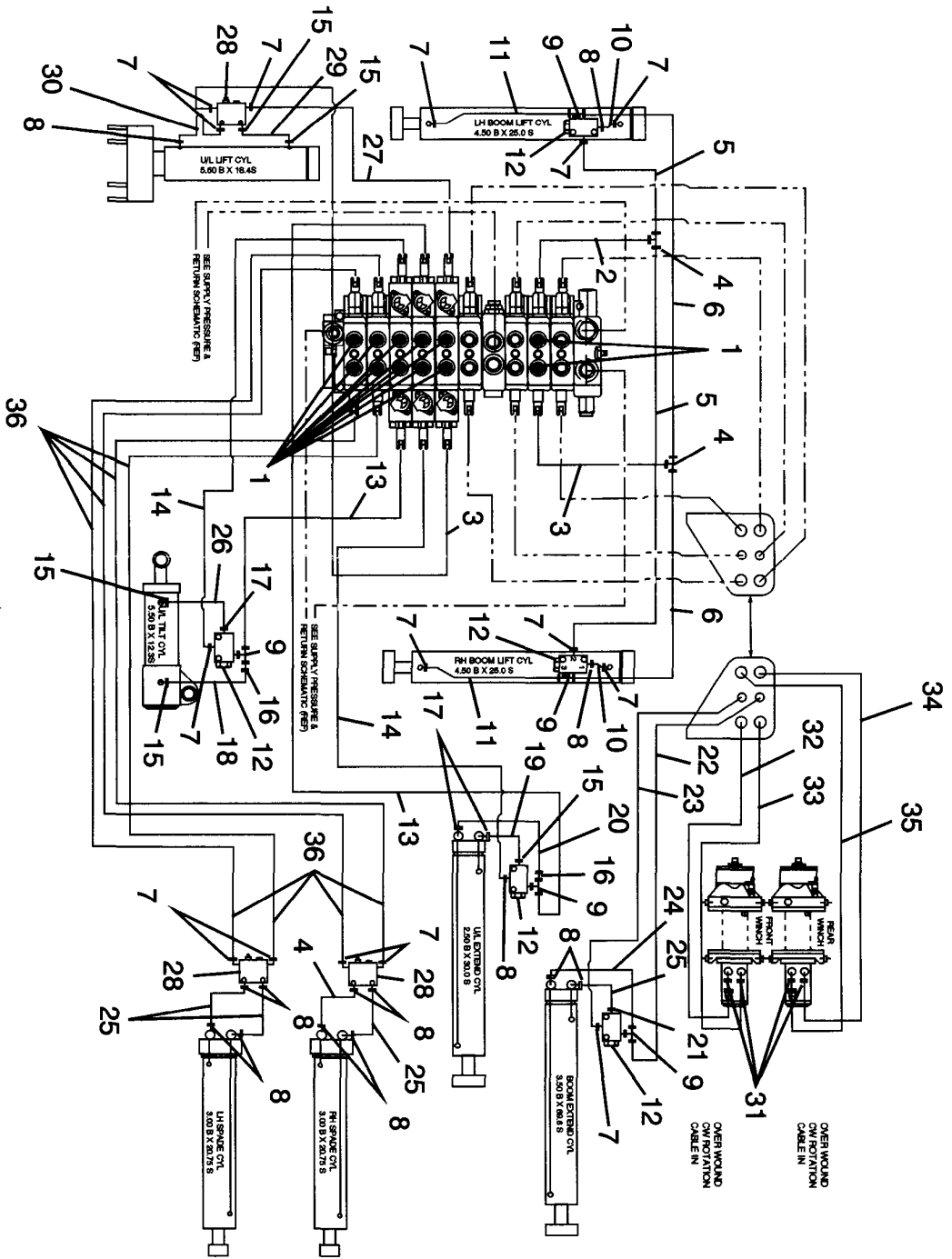
Ref. No.	Part No.	Description	Qty.
1	7445061043	Adapter	8
2	4567122026	Hose Assy	1
3	4567123030	Hose Assy	2
4	7445060637	Union Tee	2
5	4567120012	Hose Assy	2
6	4567120016	Hose Assy	2
7	7445060645	Elbow	10
8	7445060643	Adapter	6
9	7445060647	Branch Tee	5
10	7912000078	Tube Assy	2
11	7912000125	Tube Assy	2
12	7935000148	Counter Balance Valve	5
13	4567122066	Hose Assy	2
14	4567122067	Hose Assy	2
15	7445040645	Elbow	5
16	7443000105	Reducer	2
17	7445040643	Adapter	3
18	4567110013	Hose Assy	1
19	4567110031	Hose Assy	1
20	4567110032	Hose Assy	1
21	7445060646	Elbow	1
22	4567120032	Hose Assy	1
23	4567120035	Hose Assy	1
24	4567122038	Hose Assy	1
25	4567122033	Hose Assy	1
26	7912000127	Tube Assy	1
27	4567122032	Hose Assy	1
28	7935000011	Valve	1
29	7912000129	Tube Assy	1
30	7912000126	Tube Assy	1
31	7445100843	Adapter	4
32	4567133029	Hose Assy	1
33	4567132029	Hose Assy	1
34	4567132025	Hose Assy	1
35	4567133026	Hose Assy	1



# HYDRAULIC LINES AND FITTINGS FOR MANUAL SPADE



# HYDRAULIC LINES AND FITTINGS FOR HYDRAULIC SPADE



**PARTS LIST — HYDRAULIC LINES AND FITTINGS FOR  
HYDRAULIC SPADE**

<b>Ref. No.</b>	<b>Part No.</b>	<b>Description</b>	<b>Qty.</b>
1	7445061043	Adapter	12
2	4567122026	Hose Assy	1
3	4567123030	Hose Assy	2
4	7445060637	Union Tee	2
5	4567120012	Hose Assy	2
6	4567120016	Hose Assy	2
7	7445060645	Elbow	14
8	7445060643	Adapter	14
9	7445060647	Branch Tee	5
10	7912000078	Tube Assy	2
11	7912000125	Tube Assy	2
12	7935000148	Counter Balance Valve	5
13	4567122066	Hose Assy	2
14	4567122067	Hose Assy	2
15	7445040645	Elbow	5
16	7443000105	Reducer	2
17	7445040643	Adapter	3
18	4567110013	Hose Assy	1
19	4567110031	Hose Assy	1
20	4567110032	Hose Assy	1
21	7445060646	Elbow	1
22	4567120032	Hose Assy	1
23	4567120035	Hose Assy	1
24	4567122038	Hose Assy	1
25	4567122033	Hose Assy	5
26	7912000127	Tube Assy	1
27	4567122032	Hose Assy	1
28	7935000011	Valve	3
29	7912000129	Tube Assy	1
30	7912000126	Tube Assy	1
31	7445080843	Adapter	4
32	4567133029	Hose Assy	1
33	4567132029	Hose Assy	1
34	4567132025	Hose Assy	1
35	4567133026	Hose Assy	1
36	4567122096	Hose Assy	4

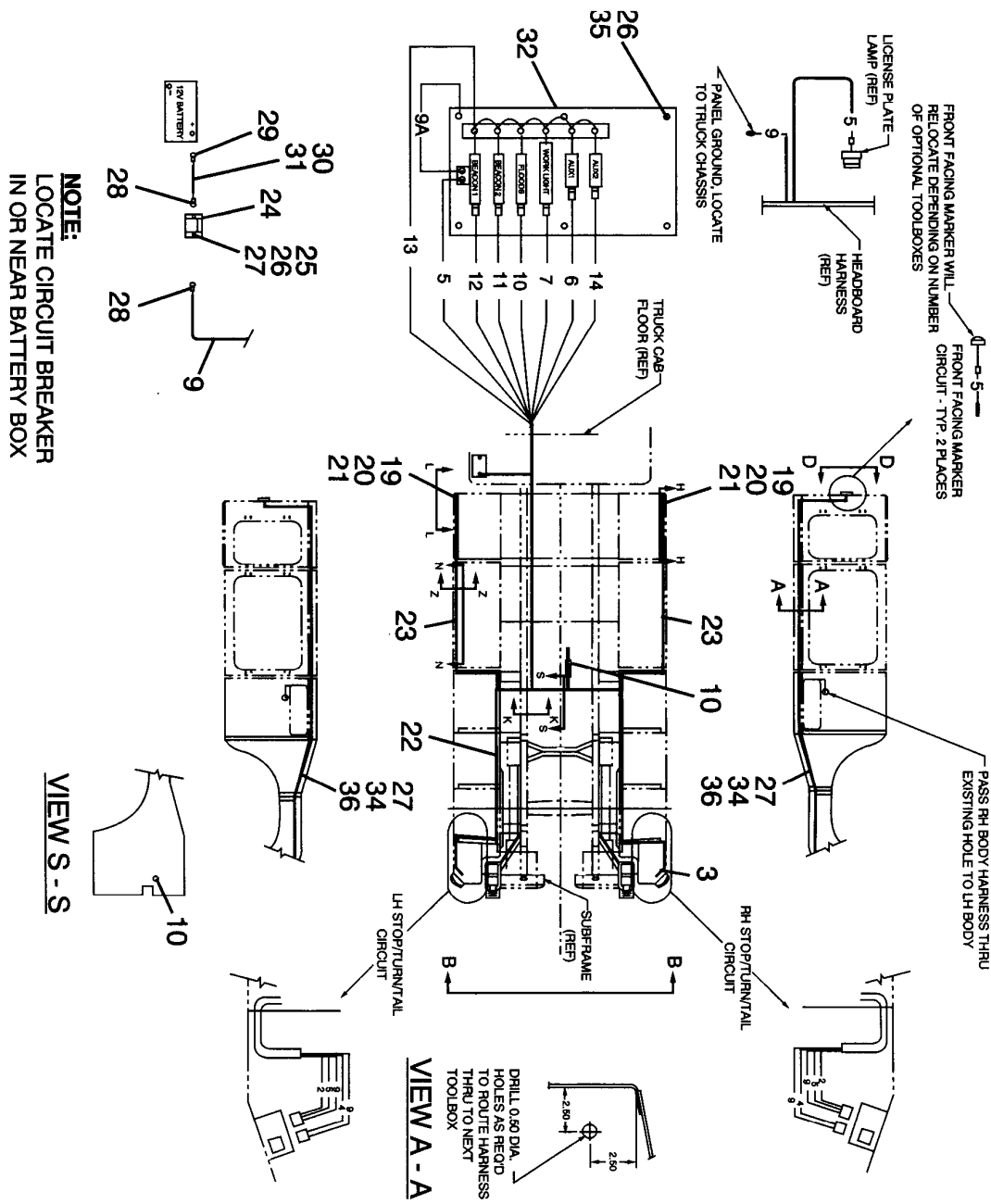


**PART LIST — BODY LIGHTS AND WIRING**

Ref. No.	Part No.	Description	Qty.
1	7590000092	Right Hand Tail Light	1
2	7590000093	Left Hand Tail Light	1
3	7552000167	Harness	1
4	7188000001	Stop, Tail, Turn Light Bulb	2
5	7188000002	Back-up Light Bulb	2
6	7661000024	Nut	8
7	7114101210	Screw	8
8	7493000003	Grommet	1
9	7552000171	Harness	1
10	7493000014	Grommet	2
11	7493000017	Grommet	2
12	7346000076	Gasket	2
13	7590000104	Light	2
14	7346000077	Guard	2
15	7114100610	Screw	8
16	7661000002	Hex Nut	8
17	7590000105	Light	1
18	7178000025	Bracket	1
19	7274000036	Clamp	2
20	7114100618	Capscrew	2
21	7660102601	Nut	2
22	7552000168	Harness	1
23	7552000169	Harness	2
24	7346000019	Breaker	1
25	7115140650	Capscrew	2
26	7950140151	Flatwasher	8
27	7660142601	Locknut	22
28	7345222202	Terminal	2
29	7345242202	Terminal	1
30	8977540200	Wire	3 ft
31	8594100003	Wire Loom	3 ft
32	7870000064	6 Function Switch Panel	1
33	7790141656	Screw	10
34	7894000031	Cable Tie	30
35	7790141651	Screw	6
36	7115141050	Capscrew	20
37	7590000094	Light	4
38	7790100856	Screw	16

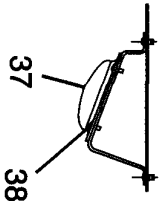


# BODY LIGHTS AND WIRING



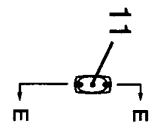
**NOTE:**  
LOCATE CIRCUIT BREAKER  
IN OR NEAR BATTERY BOX

**BODY LIGHTS AND WIRING**



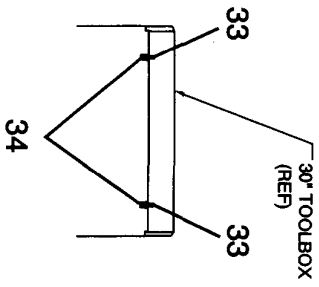
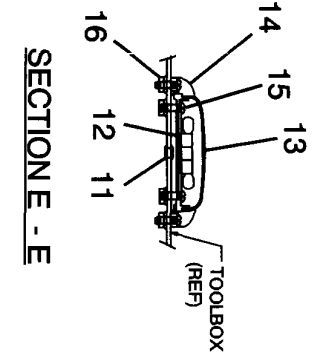
**NOTE:**  
ONLY (1) REARMOST LIGHT  
TO BE SUPPLIED PER BOX  
PER SIDE

**SECTION Z - Z**

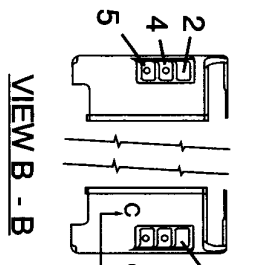


**VIEW D - D**

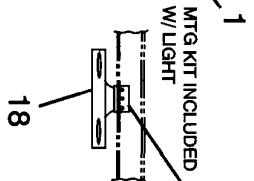
**SECTION E - E**



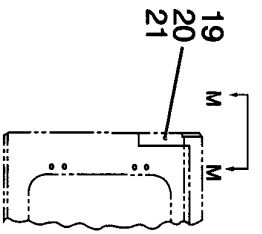
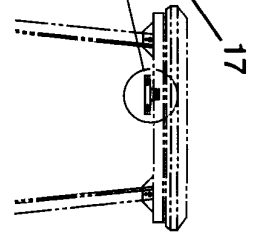
**VIEW H - H**  
30\"/>



**VIEW B - B**

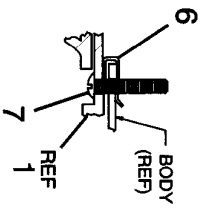


**VIEW K - K**

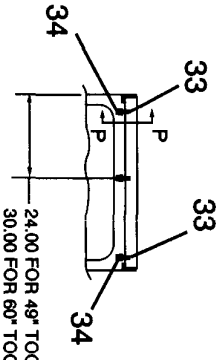


**SECTION M - M**

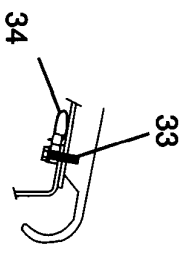
**VIEW L - L**



**SECTION C - C**



**SECTION N - N**  
49\"/>



**SECTION P - P**



---

**PARTS LIST — EMERGENCY LIGHTS**

<b>Ref. No.</b>	<b>Part No.</b>	<b>Description</b>	<b>Qty.</b>
1	7590000156	Light	1
2	4178000207	Mtg. Bracket	2
3	4706001478	Plate	2
4	7660182601	Locknut	2
5	7115181450	Capscrew	2
6	7950150000	Washer	4
7	7660152200	Nut	4

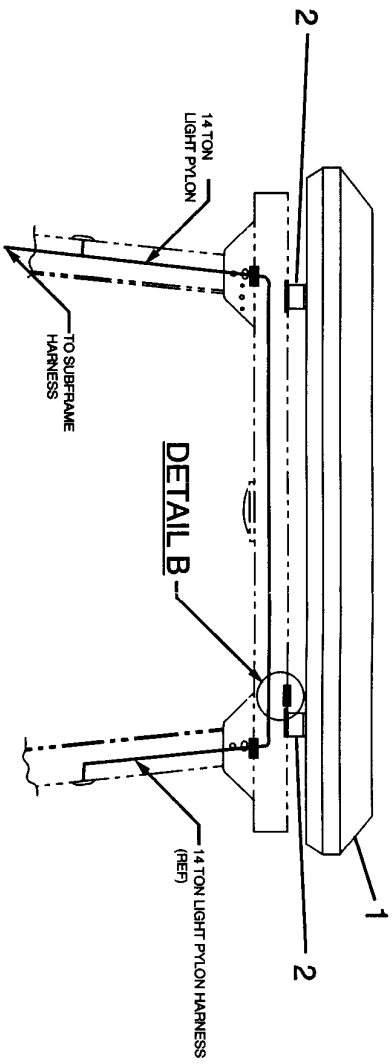


F-10

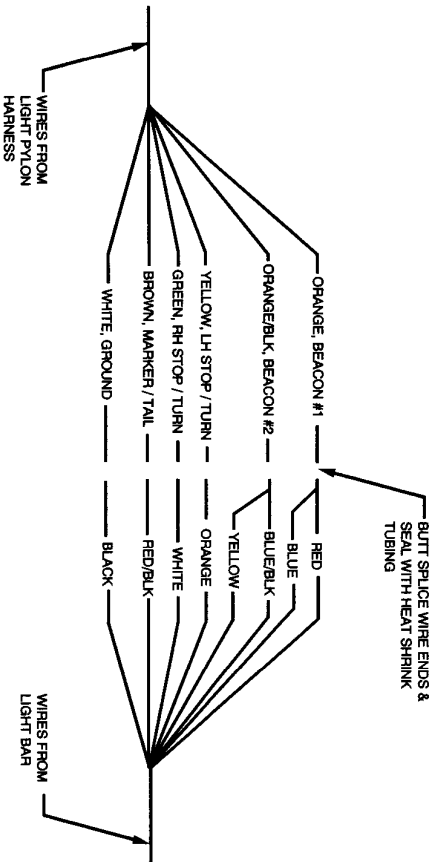
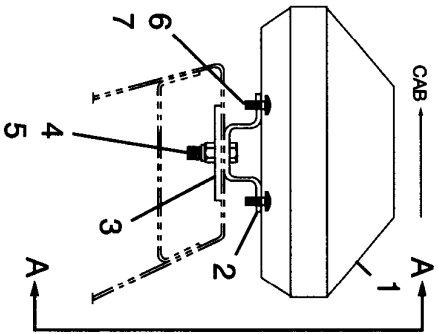
Rev. \_\_\_\_\_

Date \_\_\_\_\_

# EMERGENCY LIGHTS



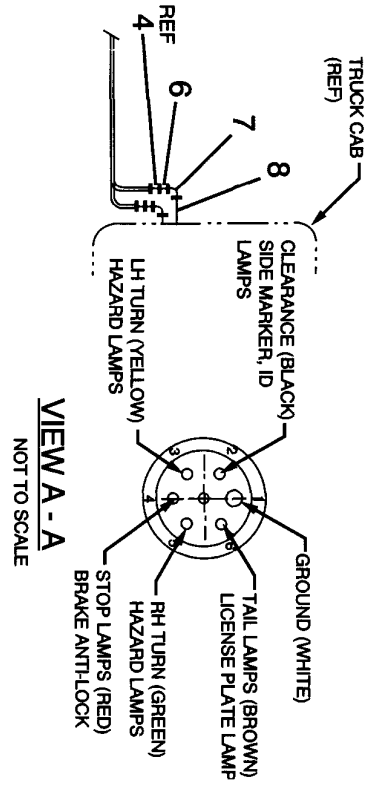
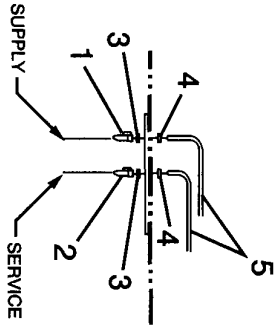
VEIW A - A



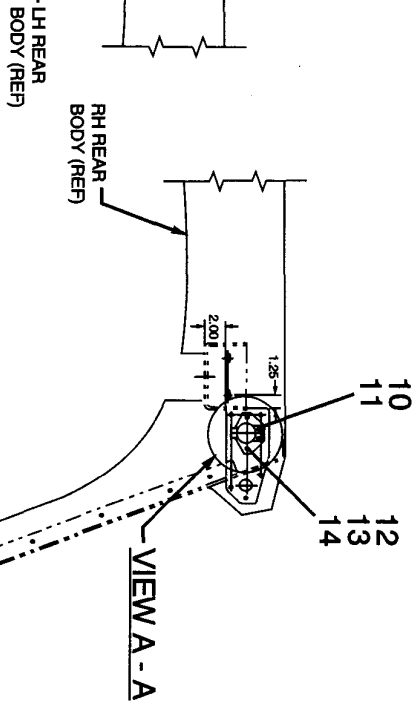
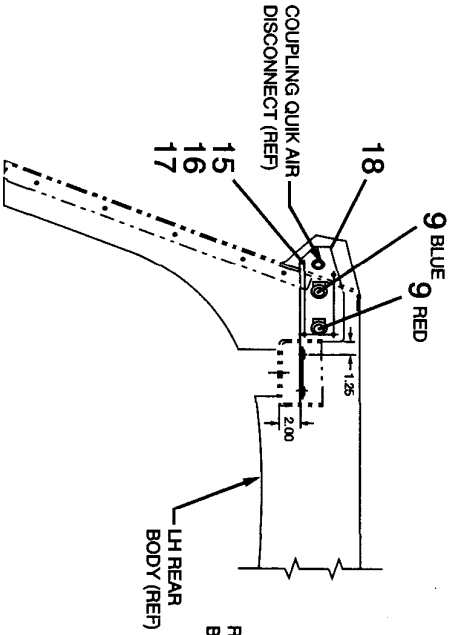
DETAIL B



# TRAILER TOWING



**VIEW A - A**  
NOT TO SCALE



**VIEW A - A**

**PARTS LIST — TRAILER TOWING**

<b>Ref. No.</b>	<b>Part No.</b>	<b>Description</b>	<b>Qty.</b>
1	7312000015	Gladhand Service	1
2	7312000016	Gladhand Emergency	1
3	7446502518	Clamping Stud	2
4	7446382506	Connector	4
5	7565000014	Line	50 ft
6	7443000148	Bushing	2
7	7443000146	Elbow	2
8	7443000145	Bushing	2
9	7577000145	Seal Kit	1
10	7346000055	Socket	1
11	7346000078	Boot	1
12	7115150864	Bolt	2
13	7950150161	Flatwasher	2
14	7660152601	Locknut	2
15	7114140618	Capscrew	10
16	7950140000	Lockwasher	10
17	7660140001	Nut	10
18	4706002983	Plate	1



F-13

Rev. \_\_\_\_\_

Date \_\_\_\_\_

**PARTS LIST — DECAL INSTALLATION**

<b>Ref. No.</b>	<b>Part No.</b>	<b>Description</b>	<b>Qty.</b>
1	7330000335	Decal, Mdl Lubrication	1
2	7330000189	Placecard Serial Number/Rating	1
3	7330000203	"Warning-Power Lines"	2
4	7330000199	Decal Authorized Personnel Warning	1
5	7330000200	Decal Oper. Pre-Transport Checklist	1
6	7330000253	Decal Wire Rope Caution – Medium Duty	1
7	7330000037	Nameplate Aluminum – Moving Parts	2
8	7330000108	Nameplate Jerr-Dan	2
9	7330000034	Nameplate – w/L Caution	1
10	7330000143	"Proudly Made in the USA"	1
11	7330000211	Decal – Safety Chains Warning	1
12	7330000122	Nameplate – w/L Warning	2
13	7330000284	Patent Placard	1
14	7759000004	Pop Rivet	10
15	7330000036	Nameplate – Secure Vehicle	2
16	7330000336	Circle "J" Decal	2
17	7330000337	Jerr-Dan Decal	2

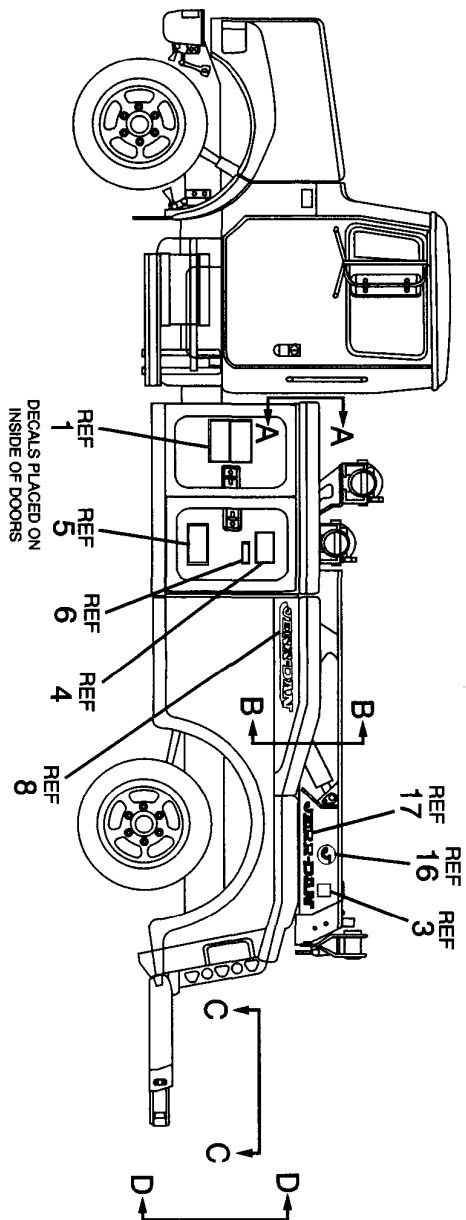
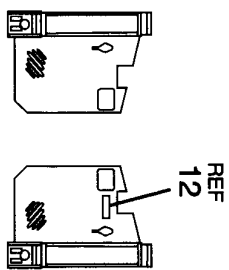
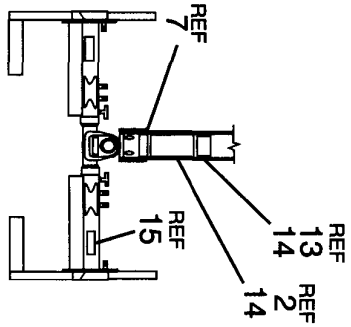
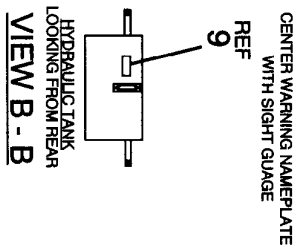
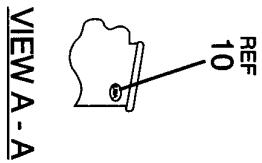


F-14

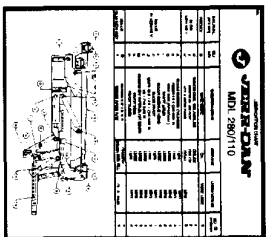
Rev. \_\_\_\_\_

Date \_\_\_\_\_

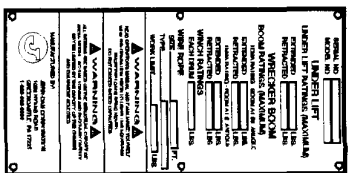
# DECAL INSTALLATION



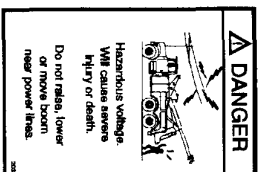
**DECAL INSTALLATION**



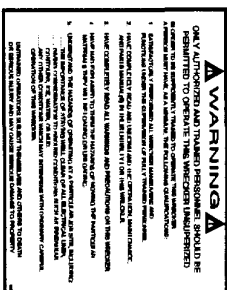
1



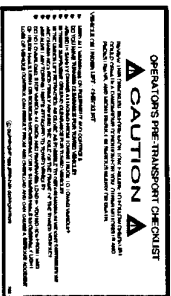
2



3



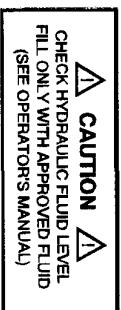
4



5



6



9



7



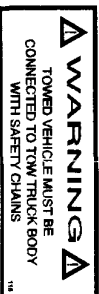
8



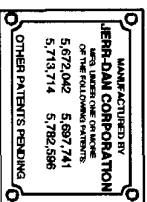
10



11



12



13



15



16



17

DECALS NOT TO SCALE

---

**PARTS LIST — WINCH AIR SCHEMATIC**

<b>Ref. No.</b>	<b>Part No.</b>	<b>Description</b>	<b>Qty.</b>
1	7443000154	Bushing	1
2	7443000155	Brass Fitting	1
3	7443000156	Nipple	2
4	7443000152	Plug	1
5	7443000139	Fitting	2
6	7443000138	Fitting	2
7	7935000120	Valve Pressure Protection Air	1
8	7443000175	Tube	2
9	7443000149	Bushing	1
10	7443000173	Tube	4
11	7950140161	Flatwasher	2
12	7446502518	Sud	1
13	7312000017	Coupling	1
14	7565000016	Tubing	75 ft.
15	7565000014	Line	25 ft.
16	7443000246	Fitting "O" Ring	2
17	7470000006	Gauge Air Pressure	1
18	7295000029	Regulator Air	1
19	7443000177	Tube	2
20	7935000136	Valve 2 Position Air	2
21	7443000243	Fitting	1

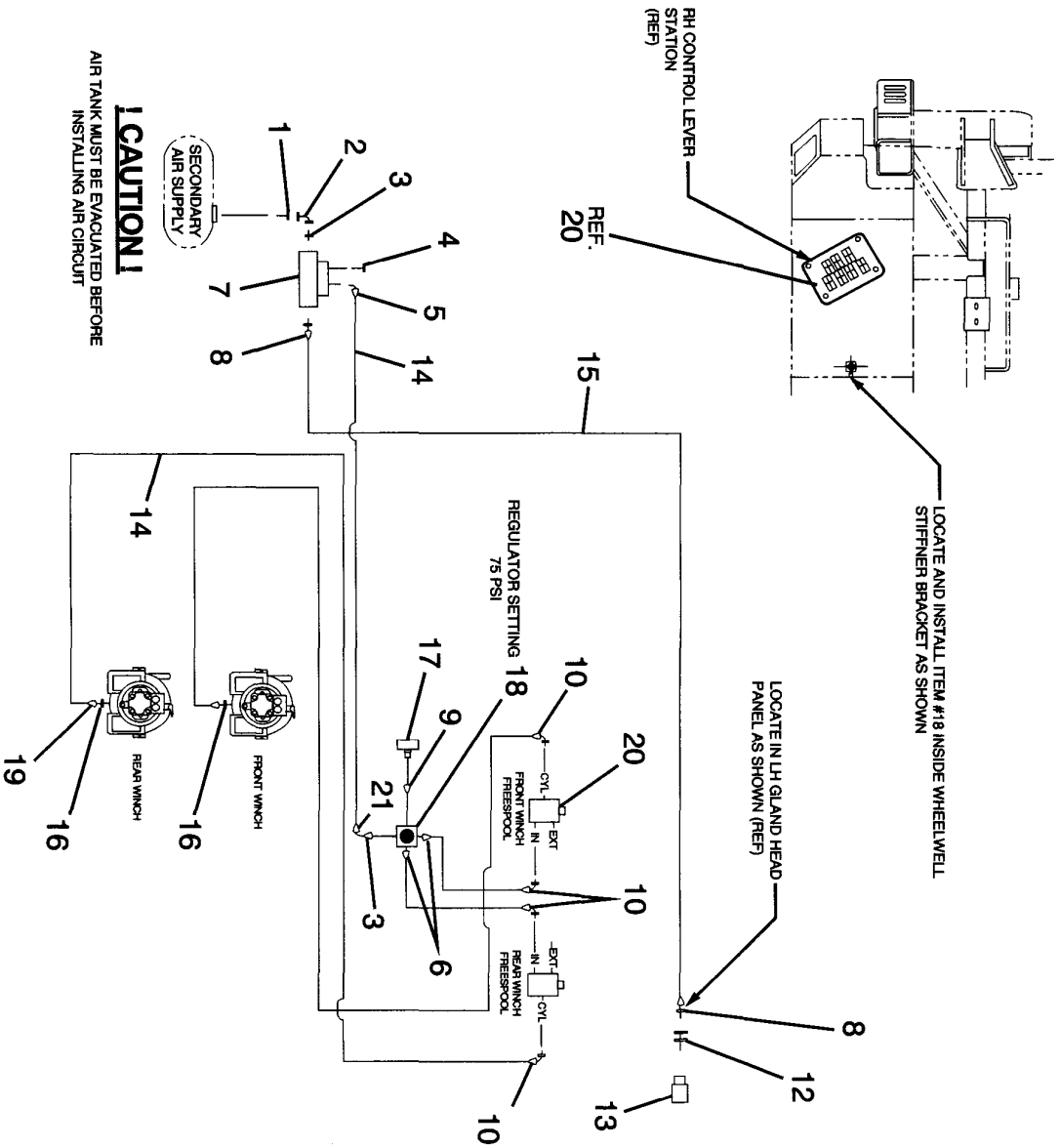


F-18

Rev. \_\_\_\_\_

Date \_\_\_\_\_

# WINCH AIR SCHEMATIC



**CAUTION!**  
AIR TANK MUST BE EVACUATED BEFORE  
INSTALLING AIR CIRCUIT

