

JERR-DAN CORPORATION

JD-35 TON INDEPENDENT WRECKER BOOM

HDL 700/350

PARTS MANUAL

JERR-DAN

An Oshkosh Truck Corporation Company

1080 Hykes Road Greencastle, PA 17225
(717) 597-7111

LIMITED WARRANTY Coverage and Procedures

Like our wheel lift and car carrier products, Jerr-Dan warranty programs are designed for the long haul.

Whether you own a wheel lift or car carrier, you are assured that your equipment is of the highest quality, and is covered under this limited warranty.*

Our one-year unlimited mileage plan is offered for wheel lifts and car carriers. This warranty is designed for the most comprehensive protection of your specific equipment.

WHEEL LIFT:

The Jerr-Dan one-year warranty covers material and workmanship including the following:

- I. Body
- II. Substructure
- III. Wheel lift assembly
- IV. Wrecker boom assembly
- V. Winch and winch components (excluding cable)
- VI. Hydraulics
- VII. Electrical wiring assembly

CAR CARRIERS:

The Jerr-Dan one-year warranty covers material and workmanship including the following:

- I. Deck
- II. Winch and winch components (excluding cable)
- III. Substructure
- IV. Hydraulics
- V. Electrical wiring assembly

Rev. _____

Date _____

Procedures for warranty coverage:

1. Contact your selling distributor.
2. If necessary, contact Jerr-Dan for the distributor nearest you - Call 1-800-926-9666.
3. If necessary, Jerr-Dan may authorize repair by a qualified equipment service center. Under these arrangements, it will be necessary to obtain an estimate of repairs before any work is performed. Send estimate of repair cost to:

Jerr-Dan Corporation
Warranty Department
1080 Hykes Road
Greencastle, PA 17225

Be sure to include your daytime phone number.

4. Authorization for repairs under this limited warranty will be provided by telephone within 24 hours of receipt of valid warranty claims and confirmed by letter or fax.
- *5. This outlines the Jerr-Dan One-Year Warranty Plan. Coverage does not include damages caused by excessive abuse or consequential damages resulting from the lack of proper service, maintenance or need for repairs. All plans begin at original retail purchase date.

Rev. _____

Date _____

JERR-DAN

An Oshkosh Truck Corporation Company

1080 Hykes Road Greencastle, PA 17225
(717) 597-7111

LIMITED WARRANTY

Manufacturer's Warranty. Manufacturer's sole warranty shall be the following, which Distributor shall make on behalf of Manufacturer by conspicuous notice in writing accompanying each contract or memorandum of sale:

1. Warranty. Jerr-Dan Corporation, ("Manufacturer") warrants each new product made by it to be free from defects in material or workmanship for one year from the date of initial sale, lease, rental, or other disposition of such product, and agrees only to repair or replace at its own expense, f.o.b. the place or places of manufacture, at manufacturer's option, any part or parts of the product found to be defective in material or workmanship, provided Manufacturer is notified of such defect or defects within the one year warranty period and given a reasonable time to correct the defect. In no case, shall the warranty extend to defects in materials, components, or services furnished by third parties. Defects caused by chemical action, or the presence of abrasive materials and defects arising following the operation beyond rated capacity or the improper use or application of any Products shall not be considered defects within the scope of the foregoing warranty. If any repairs or alterations are made or any parts are replaced during the period covered by any warranty above mentioned by other than an authorized Manufacturer's Distributor in accordance with authorized Manufacturer's service manuals or with other than parts, accessories, or attachments authorized by Manufacturer for use in its products, customer shall pay for all such repairs or parts without recourse against Manufacturer, and Manufacturer shall be relieved of responsibility for fulfillment of this warranty with respect to parts or components of all repairs, alterations or replacements so made. No claims for labor shall be considered unless authorized by Manufacturer.

2. Disclaimer as to Consequential or Special Damages. Under no circumstances shall Manufacturer be liable for any consequential or special damage which any person, firm, corporation, or other entity may suffer or claim to suffer or incur or claim to incur as a result of any defect in the product or in any correction or alteration thereof made or furnished by Manufacturer or others. "Consequential" or "special damages" as used herein includes but is not limited to costs of transportation, lost sales, lost orders, lost profits, lost income, increased overhead, labor and material costs and cost of manufacturing variances and operational inefficiencies.

3. Maximum Liability. The maximum liability of Manufacturer under the exclusive warranty set forth herein shall be the amount paid to Manufacturer by the vendor of the component with respect to the product to which such vendor warranty applies.

4. Limitation of Liability. The limitation of liability provisions herein shall apply to any and all claims or suits brought against Manufacturer, including any claim based upon negligence, breach of contract, breach of warranty, strict liability or any other theories upon which liability may be asserted against Manufacturer.

Rev. _____

Date _____

5. Exclusive and Entire Warranty. The warranty constitutes Manufacturer's entire warranty as to the product and it is expressly agreed that the remedies of dealer and those claiming under dealer as stated in this warranty are exclusive. Manufacturer does not assume (and has not authorized any other person to assume on its behalf) any other warranty or liability in connection with any product covered by this warranty.

MANUFACTURER EXPRESSLY DISCLAIMS ANY AND ALL OTHER WARRANTIES OF ANY KIND WHATSOEVER AS TO THE PRODUCT FURNISHED HEREUNDER, INCLUDING BUT NOT LIMITED TO EXPRESS OR IMPLIED WARRANTIES AS TO MERCHANTABILITY, FITNESS FOR PARTICULAR PURPOSES SOLD, DESCRIPTION OR QUALITY OF THE PRODUCT FURNISHED HEREUNDER.

6. Notice of Occurrence. This warranty shall be void if, upon the occurrence of any incident involving any product made by Manufacturer, and resulting in any personal injury or property damage, customer shall fail to notify Manufacturer within 24 hours of such occurrence or permit Manufacturer audit representatives to have immediate access to such product and to all records of and within the control of the customer and/or distributor relating to the product and the occurrence.

7. Filing of Warranty Claim. Upon notifying the Manufacturer of a failure, the Manufacturer or its representative will verbally authorize and confirm by letter the repairs to be made. Verbal authorization will require the following information:

- A) Owner's name and telephone number.
- B) The dealer's name from whom it was purchased.
- C) The Manufacturer's unit serial number.
- D) Telephone number of the party making the repairs.
- E) The part numbers needed to make repairs.
- F) Owner to be informed of C.O.D. on parts, 50% to assure return of defective parts.

At this time, the Manufacturer will ship as soon as practical the parts needed to make the repair. Included with the parts will be the invoice for the parts and a Request for Warranty form, with the Warranty Return Tags.

The vehicle owner/dealer will complete the Request for Warranty form and the Warranty Return Tag marked "Return with Shipping Notice". Both documents should be attached to the shipping notice and returned to the Manufacturer by mail. The parts to be returned shall be tagged with the Warranty Return Tag (more than one part pertaining to the same warranty claim shall be identified with the same warranty claim number - see number on Warranty Return Tag). All parts under this claim shall be returned to the Manufacturer pre-paid for warranty evaluation.

Upon receiving the part or parts for warranty evaluation, the part will be inspected and tested. After being inspected and tested, the decision to honor or deny warranty claim shall be based on analysis of all available information.

When warranty is honored, the Manufacturer will reimburse the owner/dealer in the amount agreed to by both parties.

If warranty is denied, the owner and distributor will be notified in writing of the decision and a full explanation for the decision will be given.

8. Manufacturer may at any time amend the foregoing form of warranty without prior notice.

Rev. _____

Date _____

DO NOT EXCEED THE FOLLOWING RATINGS:

HDL700/350 IND

BOOM RATING:

SAE Rating - Boom elevated at 30° Angle¹

Retracted 70,000 lbs.
Extended 22,000 lbs.

WINCH RATING: (Standard Ramsey Worm Gear)²

Each Drum (Single Speed, Variable Control) 25,000 lbs.

WINCH RATING: (Optional dp Planetary Gear)²

Each Drum (Single Speed, Variable Control) 35,000 lbs.

WIRE ROPE: (Standard Winch)

Working Limit Each Line 11,770 lbs.
Construction 6 x 37 EIP IWRC
Diameter 5/8 inch
Standard Length 200 Feet

WIRE ROPE: (Optional Winch)

Working Limit Each Line 11,770 lbs.
Construction 6 x 37 EIP IWRC
Diameter 5/8 inch
Standard Length 250 Feet

WIRE ROPE: (Optional Winch)

Working Limit Each Line 16,800 lbs.
Construction 6 x 37 EIP IWRC
Diameter 3/4 inch
Standard Length 200 Feet

UNDER LIFT RATING:

Full Retracted 35,000 lbs.³
Full Extended 16,000 lbs.³
Tow Rating 80,000 lbs.



HEAVY DUTY TIRE LIFT RATING (OPTION):

Lifting Capacity (Each Arm) 7,000 lbs.
Lifting Capacity (Total) 14,000 lbs.
Towing Capacity (Maximum)⁴ 42,000 lbs.

5th WHEEL PLATE (OPTION):

Lifting Capacity 15,000 lbs.
Towing Capacity 25,000 lbs.

PINTLE HOOK BALL HITCH (OPTION):

2 in. Ball Hitch 10,000 lbs. (GTW)
Pintle Hook 16,000 lbs. (GTW)

GROSS TRAILER WEIGHT 3,000 Maximum Vertical Load

- ¹ SAE J2512: Surface Vehicle Recommended Practices - Towing Equipment Ratings and Practices
- ² SAE J706: Surface Vehicle Recommended Practices - Rating of Winches
- ³ Rating Using Axle And Spring Lift Tools
- ⁴ THE TOWING CAPACITY SHOULD NOT EXCEED THE GROSS COMBINED WEIGHT RATING (GCWR) OF THE TOWING VEHICLE OR 42,000 LBS. (GCW) GROSS COMBINED WEIGHT OF THE TOWED VEHICLE, WHICHEVER IS LOWER.

MAXIMUM LIFTING CAPACITY - THE MAXIMUM LOAD THAT CAN BE LIFTED.

GROSS COMBINED WEIGHT RATING (GCWR) - THE VALUE SPECIFIED BY THE VEHICLE MANUFACTURER AS GCW.

GROSS TRAILER WEIGHT (GTW) - THE MAXIMUM TRAILER WEIGHT WITH LOAD.

GROSS COMBINED WEIGHT (GCW) - ACTUAL WEIGHT OF THE ENTIRE VEHICLE AT THE GROUND WITH TRAILER OR TRAILERS, INCLUDING VEHICLE EQUIPMENT, DRIVER, PASSENGER, FUEL AND PAYLOAD (EVERYTHING THAT MOVES WITH THE VEHICLE).

NOTE

These ratings apply to the structural design of the HDL700/350IND only and may be limited by the axle rating and gross vehicle weight rating of the truck chassis. CHECK TRUCK MANUAL FOR SPECIFIC GVW & AXLE RATINGS. ALSO REFERENCE THE CERTIFICATION DECAL AFFIXED TO DRIVER'S SIDE DOOR JAMB.

HDL700/350 IND LUBRICATION POINTS

The following lubrication charts are located inside the tool box door on the driver's side of the HDL body.

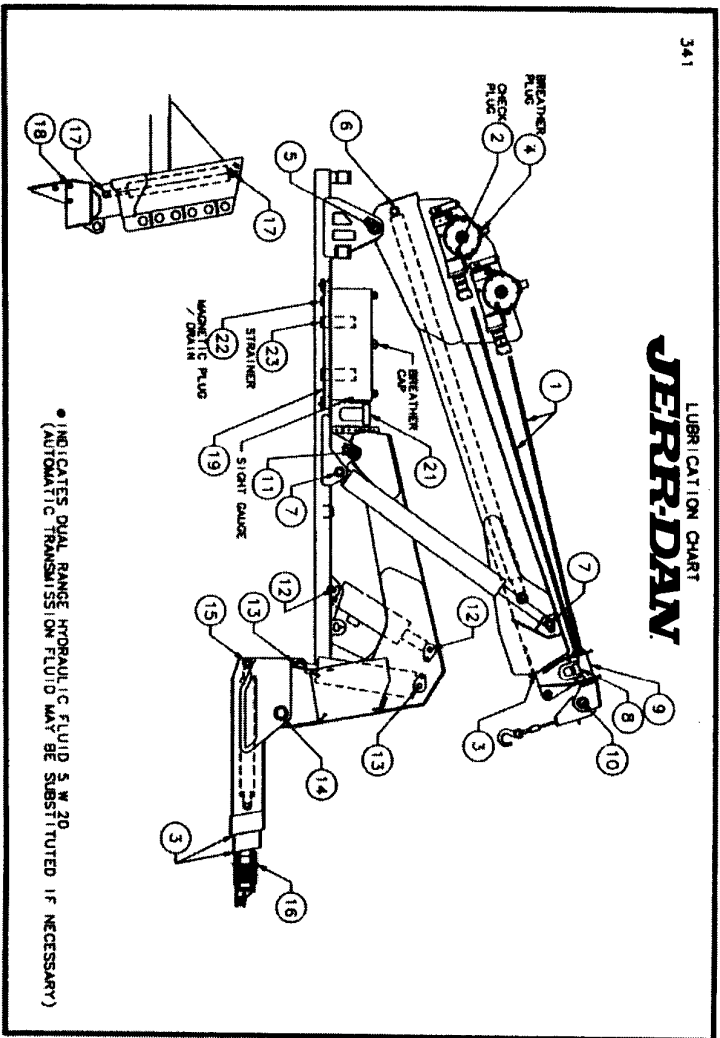
270 LUBRICATION CHART JERR-DAN WRECKER					
INTERVAL (HOURS)	REF. NO.	IDENTIFICATION	SERVICE	LUBRICANT	NO. OF POINTS
WEEKLY	1	CABLE	OIL	ENGINE OIL	2
50 OR 80-MONTHLY	2	WINCH GEAR BOX	CHECK		2
	3	NYLATRON PADS	COAT	MPG	3
	4	WINCH CASE BREATHERS	CHECK		4
100 OR MONTHLY	5	BOOM PIVOT	LUBE	MPG	1
	6	WRECKER BOOM EXT. CYLINDER	LUBE	MPG	1
	7	WRECKER BOOM LIFT CYLINDER	LUBE	MPG	4
	8	"D" RING	LUBE	MPG	2
	9	WRECKER BOOM SHEAVE HEAD	LUBE	MPG	2
	10	SHEAVE PIN	LUBE	MPG	2
	11	UNDERLIFT LIFT BOOM	LUBE	MPG	1
	12	UNDERLIFT LIFT CYLINDER	LUBE	MPG	2
	13	UNDERLIFT TILT CYLINDER	LUBE	MPG	2
	14	UNDERLIFT PIVOT	LUBE	MPG	3
	15	UNDERLIFT EXTEND CYLINDER	LUBE	MPG	1
	16	CROSS TUBE PIVOT	LUBE	MPG	1
	17	SPADE EXTEND CYLINDER	LUBE	MPG	4
	18	SPADE CLAW PIVOT	LUBE	MPG	2
	19	HYDRAULIC RESERVOIR	CHECK		
	20	CONTROL VALVE HANDLES	CLEAN & OIL	ENGINE OIL	9
	250 OR SEM-ANNUALLY	2	WINCH GEAR BOX	DRAIN & FILL	GL S #140
21		HYDRAULIC FILTER	CHANGE		2
1000 OR YEARLY	19	HYDRAULIC RESERVOIR	DRAIN & FILL	*	1
	22	MAGNETIC PLUG RESERVOIR	CLEAN		1
	23	RESERVOIR STRAINER	CLEAN		2

JERR-DAN
An Oshkosh Truck Corporation Company

A-84

Rev. 1
Date 5/03

**HDL700/350 IND
LUBRICATION POINTS**



JERR-DAN
An Oliver Truck Corporation Company

A-85

Rev. 1
Date 5/03

MAINTENANCE AND LUBRICATION

Your HDL has been designed to give you excellent service and long life but like all equipment, it requires proper and periodic maintenance. The truck chassis itself is on a maintenance schedule recommended by the manufacturer. Follow these guidelines and protect your vehicle warranty. There are a number of different lubricants used on your HDL and the following chart details the proper lubricant and the most common brands and specification which meet the requirements.

Use only safe practices when maintaining this equipment. Always shut off the engine before reaching into pinch areas.

Inspect the vehicle and under lift system periodically for damage or evidence of pending failure. Damaged or broken parts should be replaced immediately. Never operate a machine which is known to be defective or operating improperly. The cause of any binding or leakage should be determined immediately and the problem promptly fixed.

Critical wear points on your HDL must be lubricated at regular intervals. Sliding surfaces are to be cleaned and coated with a heavy grease periodically. Cleaning every month is recommended for normal highway operations, but this frequency will vary appreciably with the type of service. Sliding on dirty wear surfaces will cause rapid wear. Fittings on linkage pivots should be greased every two (2) months, again depending upon usage. The following chart and diagram shows the location of these points, and when and what type of lubricant to use.

Check the hydraulic oil level bi-monthly or after any leakage. A sight glass has been provided on the hydraulic tank. The proper oil level is best checked with all cylinders fully retracted. Use 5W20 Dual Range hydraulic oil. (Automatic transmission fluid may be used in the hydraulic system if necessary.)

The hydraulic filters located on the return side of the hydraulic tank come equipped with restriction indicator gauges. The gauges show the operator the condition of the filter elements. When the needle reaches the red band (25 psi), the filter is starting to bypass and the element needs to be changed. Failure to change the element will result in premature wear and/or failure of any or all of the hydraulic components. **Only check gauges with hydraulic fluid at operating temperatures. Cold oil is more dense and will give a false indicator gauge reading.**

Cold temperatures can cause hydraulic oils to thicken and adversely affect the hydraulic functions of your wrecker. If this is the case, it will be necessary to change the hydraulic oil to maintain maximum system efficiency. A hydraulic oil such as Mobil DTE 11M can be used to replace the factory installed oil or it can be added to and mixed with the hydraulic oil in your factory system.




If a cylinder seal leaks, disassemble the cylinder and ascertain the cause of the leak. Small scores caused by chips or contaminated fluid can usually be worked out with fine emery cloth to avoid repetition of the trouble. Whenever any seal replacement is necessary, it is always advisable to replace all seals in that component. These seals are available in kits. Also, thoroughly clean all components before reassembly.

The body of your Jerr-Dan has been built from high strength aluminum and composite material which has been carefully assembled in our factory. To keep it clean and free of dirt use any non-abrasive soap or detergent recommended for automotive finishes. Use a soft cloth or sponge and finish with a thorough rinsing. Drying with a soft cloth or chamois will prevent spotting or streaking. A coat of automotive wax is recommended.

The HDL is mounted to the truck chassis by bolts. These bolts are torqued at the factory to 300 ft. lbs. We recommend that these bolts be re-torqued within the first 30 days and periodic inspection and retorquing of these bolts as required thereafter. Replace any broken or damaged bolts immediately.

The HDL1000/350, HDL1000/550, HDL1000/565, HDL1200/530 and HDL1200/565 wrecker boom has adjustable shim plugs in it that keep the fly boom travel straight and parallel with in the outer boom. Periodically adjust and tighten the shims as they wear. These are located at the sheave end of the wrecker boom, and inside the wrecker boom in the internal end of the fly boom.

**TIGHTENING TORQUES (FOOT-POUNDS)
FOR SCREWS AND NUTS**

SIZE INCHES (MM)	 GRADE 2	 GRADE 5	 GRADE 8
1/4 (6.350)	6	8	10
5/16 (7.938)	10	14	19
3/8 (9.525)	17	27	33
7/16 (11.112)	28	45	60
1/2 (12.700)	45	68	90
9/16 (14.288)	63	100	120
5/8 (15.875)	90	135	180
3/4 (19.050)	145	230	310
7/8 (22.225)	145	380	500
1 (25.400)	220	570	760

- All torque values shown are for bolts (cap screws) and nuts that are either zinc-plated or lubricated.
- Torques shown above apply to screws and nuts used for assembly and installation of all wrecker components.
- Different torque values may be given in instructions for certain components due to short thread engagement or low-strength internal threads.
- When nuts are used, tighten nuts to torques shown (screws or bolts should be held but not turned).
- Retighten nuts of all mounting screws that secure the wrecker and wrecker-body within two weeks after they are first installed on the vehicle. Thereafter, inspect such screws and nuts visually once every month and after each job imposing extremely heavy loads on the equipment. Periodically recheck all accessible screws and nuts for proper tightness.
- Converting ft/lbs to Nm (Newton metres) can be accomplished by using the following:

Multiply: by: to get:
 ft/lbs x 1.3558 = Nm (Newton metres)

OILS AND GREASES

The following oils and greases are suitable for use with your Jerr-Dan.

Company	Product
HYDRAULIC OILS	
1. Drydene Dual Range	Hydraulic Fluid 5w20
2. Sun Refining & Marketing	2105 Hydraulic
3. D.A. Lubricants	5w20 HiVi
4. Texaco	Rando HDAZ
5. Mobil Oil Corp.	DTE 15
6. Mobil Oil Corp.	DTE 11M
7. Amoco Oil Co.	Rykon MV
8. Citgo	A/W All Temp
GREASES	
1. Drydene	HD Lithium EP2
2. Gulf	Crown EP2
3. Amoco	Amolith EP2
4. Shell	Alvania EP2
5. Texaco	Marfax EP2
6. Mobil	Mobilux EP2
7. Sunoco	Prestige EP2
WINCH AND GEAR LUBE	
1. Phillips	140 wt. EP Gear Lube 93301 (or approved equivalent)

**WHEEL LIFT SYSTEM
PARTS**

Subframe Installation B-2

Under Lift Boom Installation B-6

Under Lift Boom Assembly

 (Units Built Starting with Serial Number 20010111035 B-9

Under Lift Boom Assembly B-10

Hydraulic Spade Assembly B-13

Under Lift Tilt Cylinders (7320000039) B-14

Under Lift Extension Cylinder (7320000034) B-17

Spade Cylinder (7320000006) B-18

Under Lift Lift Cylinder (7320000040) B-21

Under Lift Extension Cylinder (7320000041) B-22

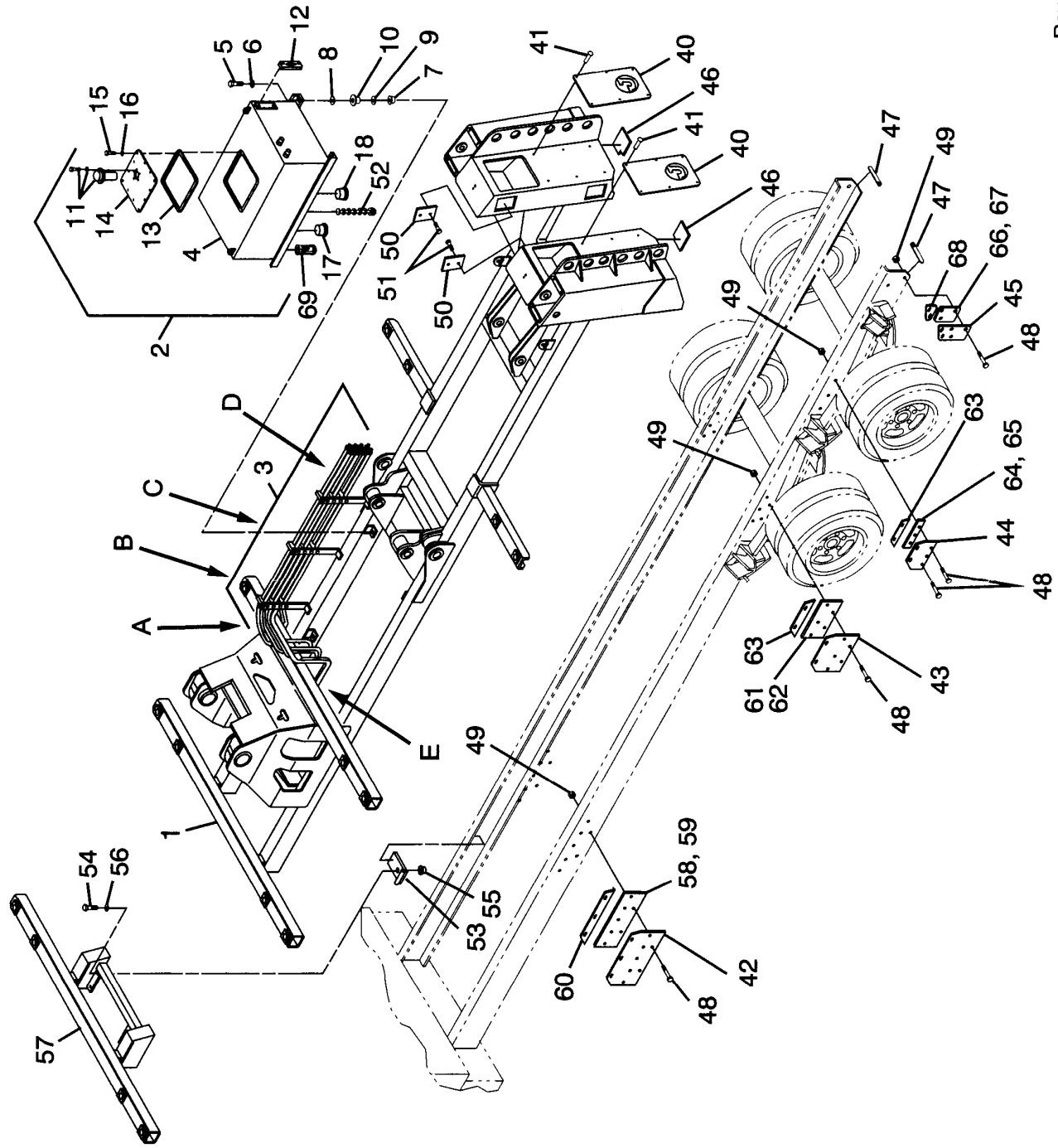
PARTS LIST — SUBFRAME INSTALLATION

Ref. No.	Part No.	Description	Qty.	Ref. No.	Part No.	Description	Qty.
1	3868000185	Subframe Weld 110" Body	1	37	7209000032	Bushing	6
2	3868000207	Subframe Weld 146" Body	1	38	7443000210	Fitting	2
3	2507650009	Hydraulic Tank Install	1	39	7443000209	Fitting	6
4	3912000009	Tube Assy Subframe	1	40	4706002491	Plate	2
5	3750000021	Hydraulic Tank	1	41	7759000012	Rivet	12
6	7115181850	Capcrew	4	42	4706002489	Mounting Plate	2
7	7950180141	Flatwasher	4	43	4706002725	Mounting Plate	2
8	7660182601	Locknut	4	44	4706002490	Mounting Plate	2
9	7949000015	Washer	4	45	4706002554	Mounting Plate	2
10	7949000016	Washer	4	46	4706002557	Plate	2
11	7636000006	Mount Center Bonded	4	47	4062000324	Bar	2
12	7183000002	Assy Weatherproof Breather Cap	1	48	7118221816	Capcrew	36
13	7470000003	Gauge	1	49	7660222308	Locknut	36
14	7796000051	Gasket Oil Tank Cover	1	50	4679000127	Pad	4
15	4706002235	Hydraulic Cover	1	51	7115160423	Capcrew	8
16	7115140650	Capcrew	12	52 ¹	7701000025	Magnetic Plug	1
17	7950140000	Lockwasher	12	53	3274000011	Toolbox Clamp	4
18	7444120014	Plug	1	54	7115182050	Capcrew	4
19	7444160011	Plug	1	55	7660182301	Locknut	4
20	7912000101	Tube Assy	1	56	7950180252	Flatwasher	4
21	7912000100	Tube Assy	1	57	3868000157	Subframe Weld Stand Alone	1
22	7912000095	Tube Assy	1	58 ²	4706002493	Plate .25 Thk	2
23	7912000094	Tube Assy	1	59 ²	4706002492	Plate .13 Thk	2
24	7912000103	Tube Assy	1	60 ²	4706002163	Plate	2
25	7912000102	Tube Assy	1	61 ²	4706002495	Plate .25 Thk	2
26	7912000104	Tube Assy	2	62 ²	4706002494	Plate .13 Thk	2
27	7274000030	Clamp	16	63 ²	4706002555	Plate	4
28	7274000049	Clamp	6	64 ²	4706001776	Plate .25 Thk	2
29	7445121225	Union Bulkhead	2	65 ²	4706001773	Plate .13 Thk	2
30	7661000022	Nut	36	66 ²	4706002142	Plate .25 Thk	2
31	7661000027	Nut	18	67 ²	4706002141	Plate .13 Thk	2
32	7007000036	Adapter	19	68 ²	4706002556	Plate	2
33	7115150650	Capcrew	36	69 ¹	7430000007	Filter	1
34	7115150850	Capcrew	18				
35	7950150000	Washer	54				
36	7209000023	Bushing	8				
	7209000024	Bushing	16				

¹ Available in Assembly 3750000022
² Available in Kit 3577000046

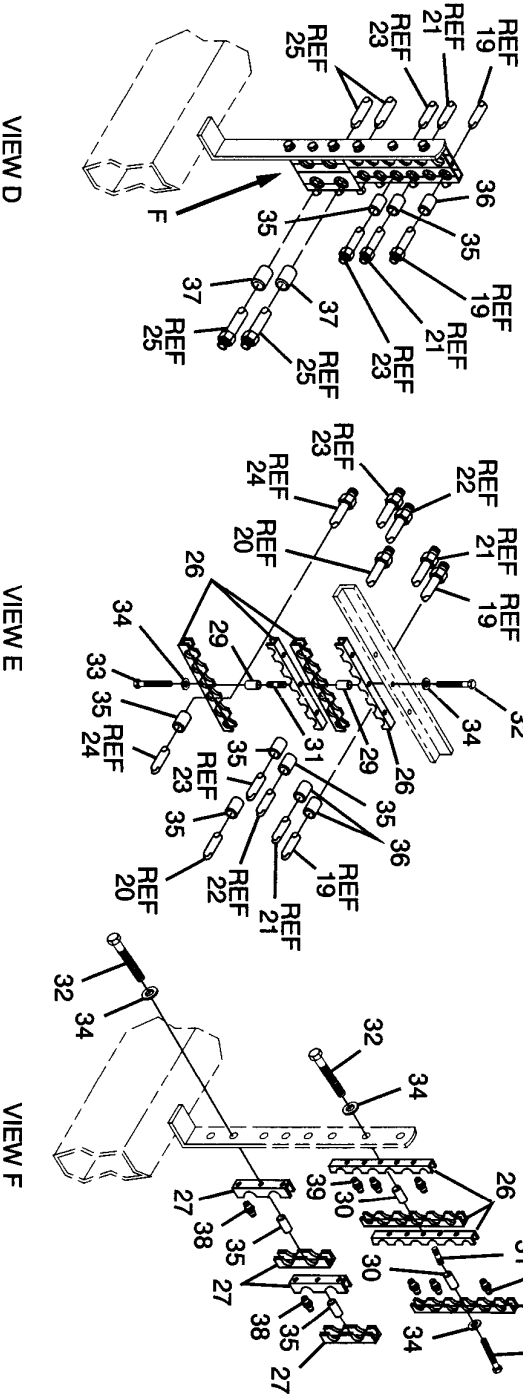
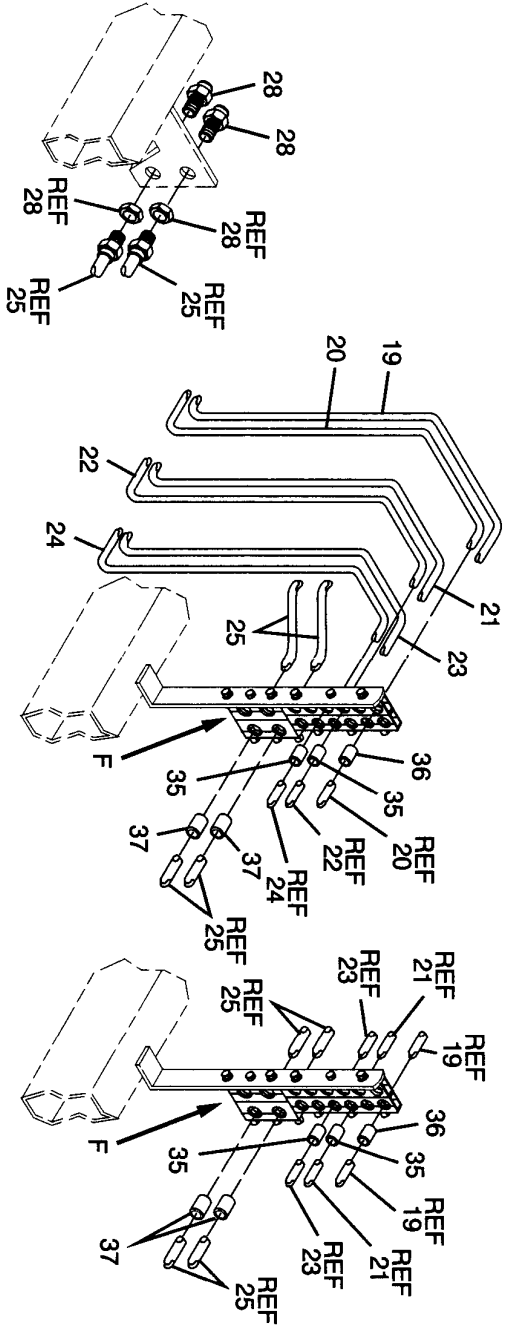


SUBFRAME INSTALLATION



Rev. _____
Date _____

SUBFRAME INSTALLATION

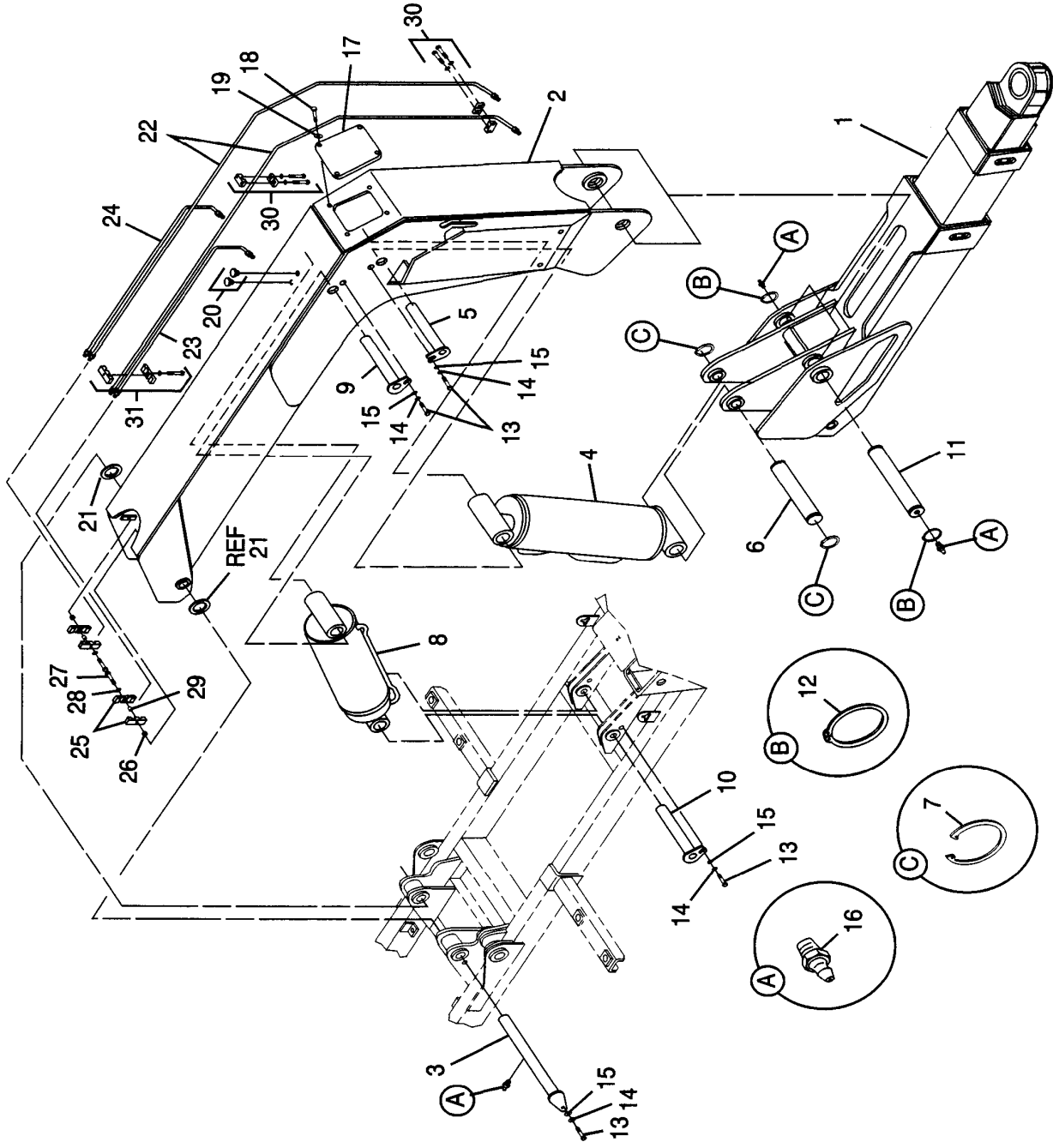


PARTS LIST — UNDER LIFT BOOM INSTALLATION

Ref. No.	Part No.	Description	Qty.
1	3170000160	Assembly 30T Underlift	1
2	3170000181	Lift Boom Weld	1
3	3691000170	Pin Weldment	1
4	7320000039	Underlift Cylinder Tilt	1
5	3691000160	Pin Weldment	1
6	4691000317	Pin Weldment	1
7	7754000051	Ring Retaining	2
8	7320000040	Lift Cylinder	1
9	3691000171	Pin Weldment	1
10	3691000152	Pin Weldment	1
11	4691000311	Pin	1
12	7754000018	Ring Retaining	2
13	7115180850	Capscrew	4
14	7950180000	Lockwasher	4
15	7950180161	Flatwasher	4
16	7440030000	Grease Fitting	4
17	4706002206	Cover	1
18	7115161250	Capscrew	4
19	7950160000	Lockwasher	4
20	7189000017	Bumper	2
21	4949000031	Washer .063 Thk	2
	4949000032	Washer .093 Thk	
22	7912000110	Tube Assembly	2
23	7912000111	Tube Assembly	1
24	7912000112	Tube Assembly	1
25	7274000048	Clamp	2
26	7661000022	Nut	6
27	7115150650	Hex Head Capscrew	8
28	7950150000	Washer	8
29	7209000025	Bushing	4
30	7274000051	Clamp	4
31	7274000052	Clamp	4

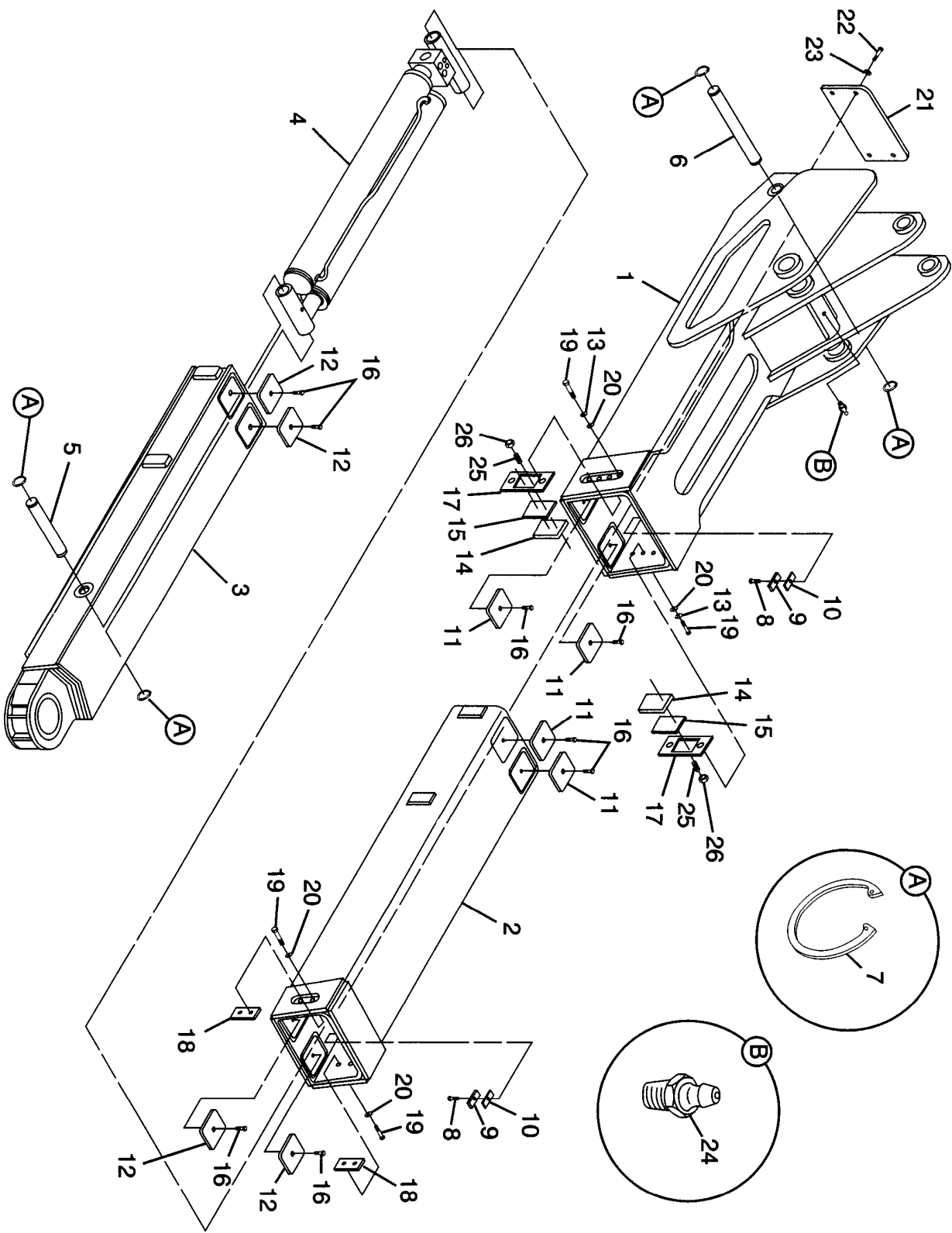


UNDER LIFT BOOM INSTALLATION



Rev. _____
Date _____

UNDER LIFT BOOM ASSEMBLY



B-8

Rev. _____
Date _____

PARTS LIST — UNDER LIFT BOOM ASSEMBLY

Ref. No.	Part No.	Description	Qty.
1	3170000153	Boom Weld Base	1
2	3170000152	Boom Weld Mid	1
3	3170000151	Boom Weld Fly	1
4	7320000034	Extension Cylinder	1
5	4691000318	Pin	1
6	4691000316	Pin	1
7	7754000043	Ring Internal Snap	4
8	7114140518	Capscrew	2
9	4679000159	Pad	2
10	4706002461	Plate	2
11	4679000161	Pad	4
12	4679000158	Pad	4
13	7950180000	Lockwasher	4
14	4679000164	Pad	2
15	4706002460	Plate	2
16	7114140418	Capscrew	8
17	4706002463	Plate	2
18	4706002462	Plate	2
19	7105180850	Capscrew	8
20	7950180153	Flatwasher	8
21	4706002467	Plate	1
22	7115140650	Capscrew	4
23	7950140000	Lockwasher	4
24	7440030000	Grease Fitting	1
25	7785181640	Set Screw	4
26	7660180230	Nut Jam	4



B-9

Rev. _____

Date _____

**PARTS LIST — UNDER LIFT BOOM ASSEMBLY
(UNITS BUILT STARTING WITH S/N 2001011035)**

Ref. No.	Part No.	Description	Qty.
1	3170000224	Boom Weld Base	1
2	3170000223	Boom Weld Mid	1
3	3170000221	Boom Weld Fly	1
4	7320000041	Cylinder U/L Extend	1
5	4691000318	Pin	1
6	4691000316	Pin	1
7	7754000043	Ring Internal Snap	4
8	7114140518	Capscrew	2
9	4679000159	Pad	2
10	4706002461	Plate	2
11	4679000161	Pad	4
12	4679000158	Pad	4
13	3706000177	Pad Keeper, LH	1
14	3706000178	Pad Keeper, RH	1
15	4679000206	Pad	2
16	4706003144	Plate	2
17	7114140418	Capscrew	8
18	3706000179	Pad Keeper, LH	1
19	3706000180	Pad Keeper, RH	1
20	4679000205	Pad	2
21	4706003143	Plate	2
22	7105180850	Capscrew	8
23	7950180153	Flatwasher	8
24	4706002467	Plate	1
25	7115140650	Capscrew	4
26	7950140000	Lockwasher	4
27	7440030000	Grease Fitting	1
28	7786000008	Set Screw	6
29	7660180230	Jam Nut	6

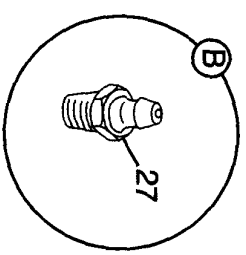
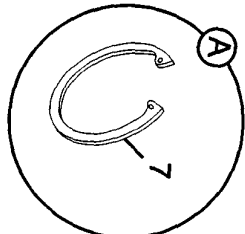
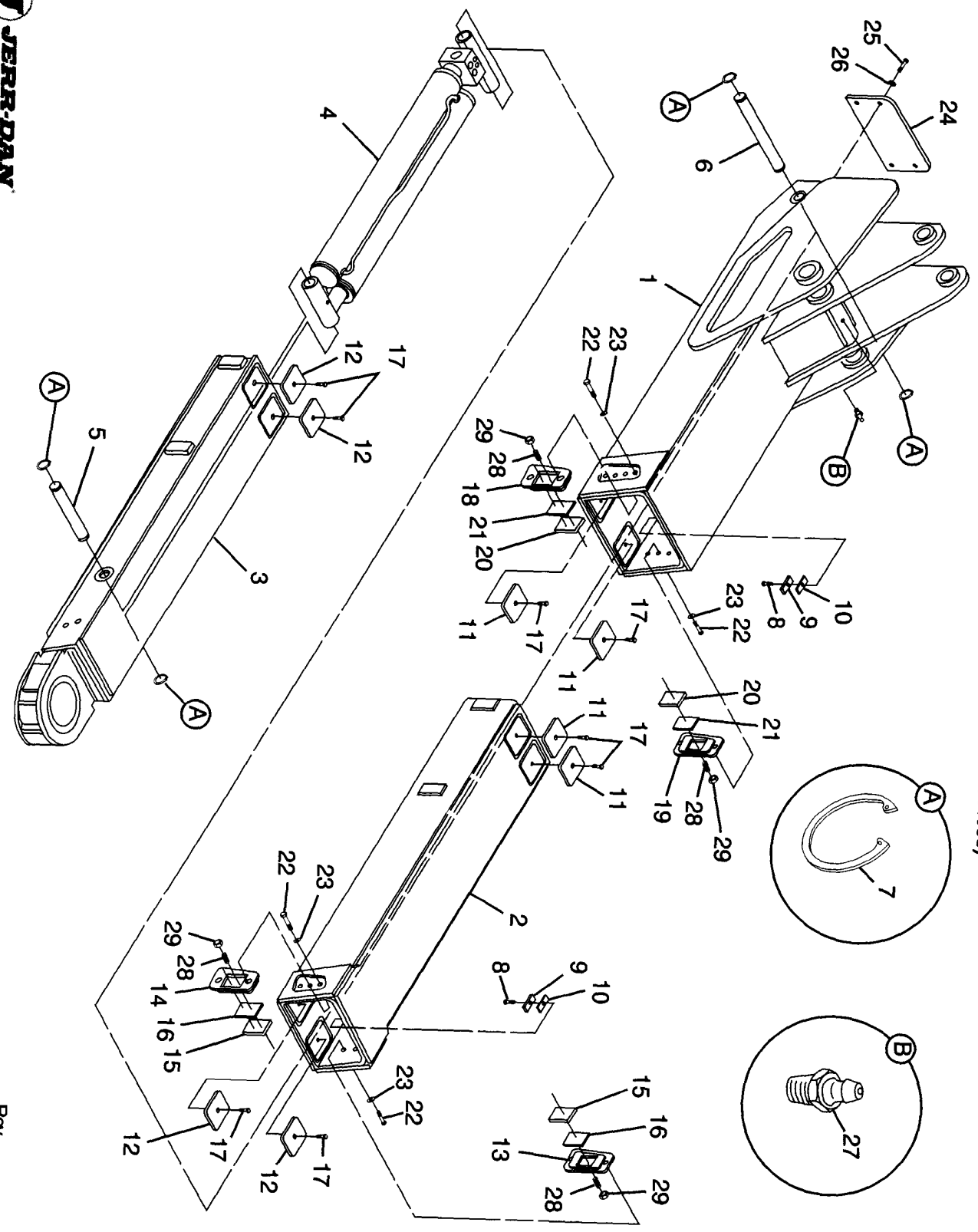


B-10

Rev. _____

Date _____

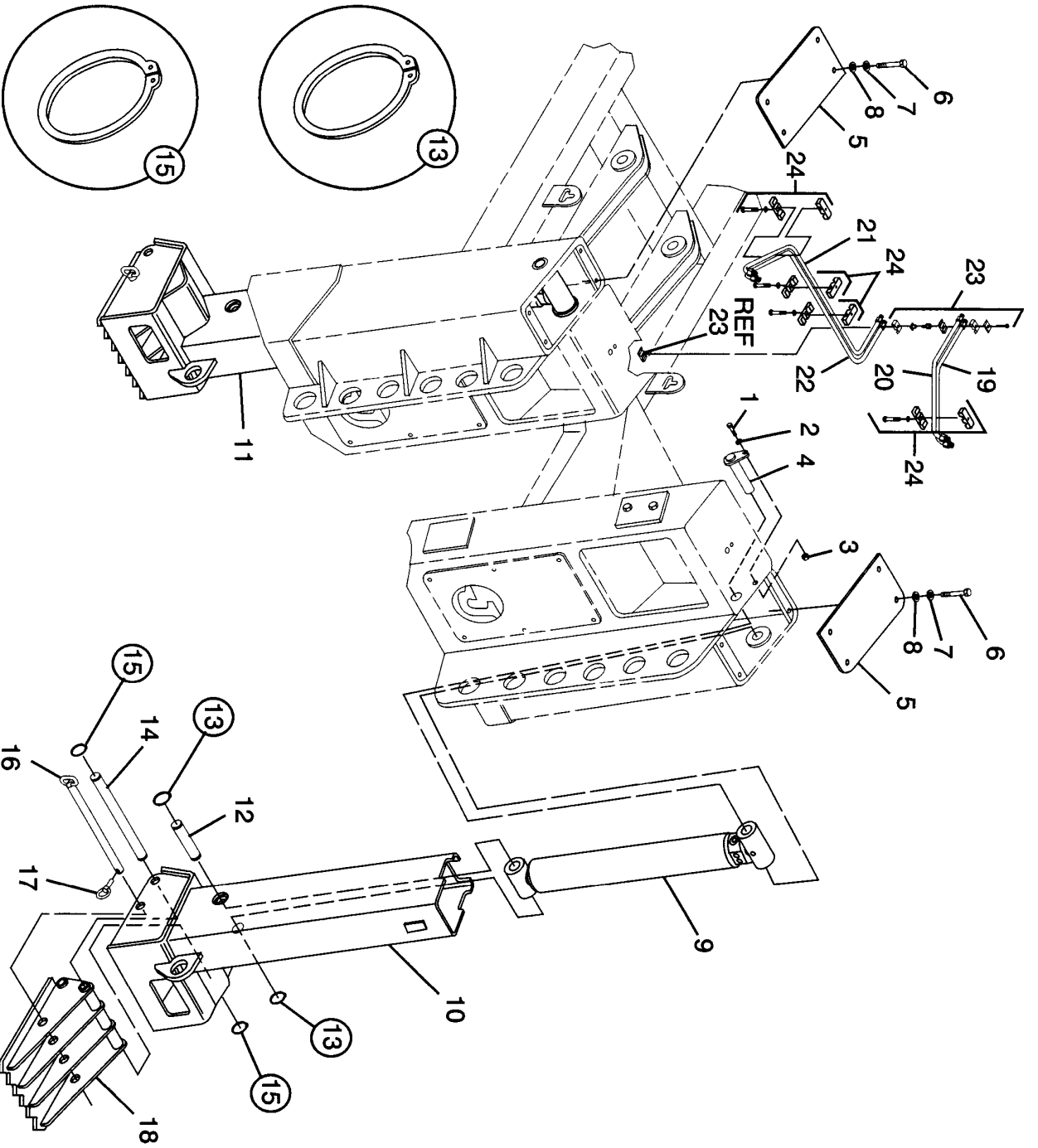
UNDER LIFT BOOM ASSEMBLY
 (UNITS BUILT STARTING WITH S/N 2001011035)



B-11

Rev. _____
 Date _____

HYDRAULIC SPADE ASSEMBLY



B-12

Rev. _____
Date _____

PARTS LIST —HYDRAULIC SPADE ASSEMBLY

Ref. No.	Part No.	Description	Qty.
1	7115161250	Capscrew	2
2	7950160151	Flatwasher	2
3	7660162601	Locknut	2
4	3691000139	Pin	2
5	4706002468	Plate	2
6	7114140518	Capscrew	8
7	7950140000	Lockwasher	8
8	7950140141	Flatwasher	8
9	7320000006	Cylinder Spade	2
10	3263000068	Channel Weld RH	1
11	3263000067	Channel Weld LH	1
12	4691000207	Pin	2
13	7754000033	Ring Retaining	4
14	4691000200	Pin	2
15	7754000008	Retaining Ring	4
16	3691000126	Pin	2
17	7691000019	Pin Lynch	2
18	3706000113	Spade Foot Weld	2
19	7912000119	Tube Assy	1
20	7912000120	Tube Assy	1
21	7912000121	Tube Assy	1
22	7912000122	Tube Assy	1
23	7274000064	Clamp	1
24	7274000050	Clamp	5



B-13

Rev. _____

Date _____

PARTS LIST — UNDER LIFT TILT CYLINDERS
732000039

Ref. No.	Part No.	Description	Qty.
1	9796250071*	Seal	1
2	9754250043*	Back-Up	1
3	9796250062*	O-Ring	1
4	9796250113*	Seal	1
5	9796250114*	Wiper	1
6	9796250117*	O-Ring	1
7	9754250018*	Wear Ring	3
8	9754250045*	Wear Ring	2
9	9796250079	Washer	1
10	9661250017	Locknut	1
11	9786250008	Setscrew	2
12	7440030000	Lube Fitting	2
13	9701250007	Port Plug	2
14	9701250017	Port Plug	2
15	9701250005	Bleeder Plug	1
16	9935250032	Counterbalance Valve	1
17	9912250017	Tube Assy	1
18	9763250021	Rod Assy	1
19	9553250013	Head	1
20	9698250014	Piston	1

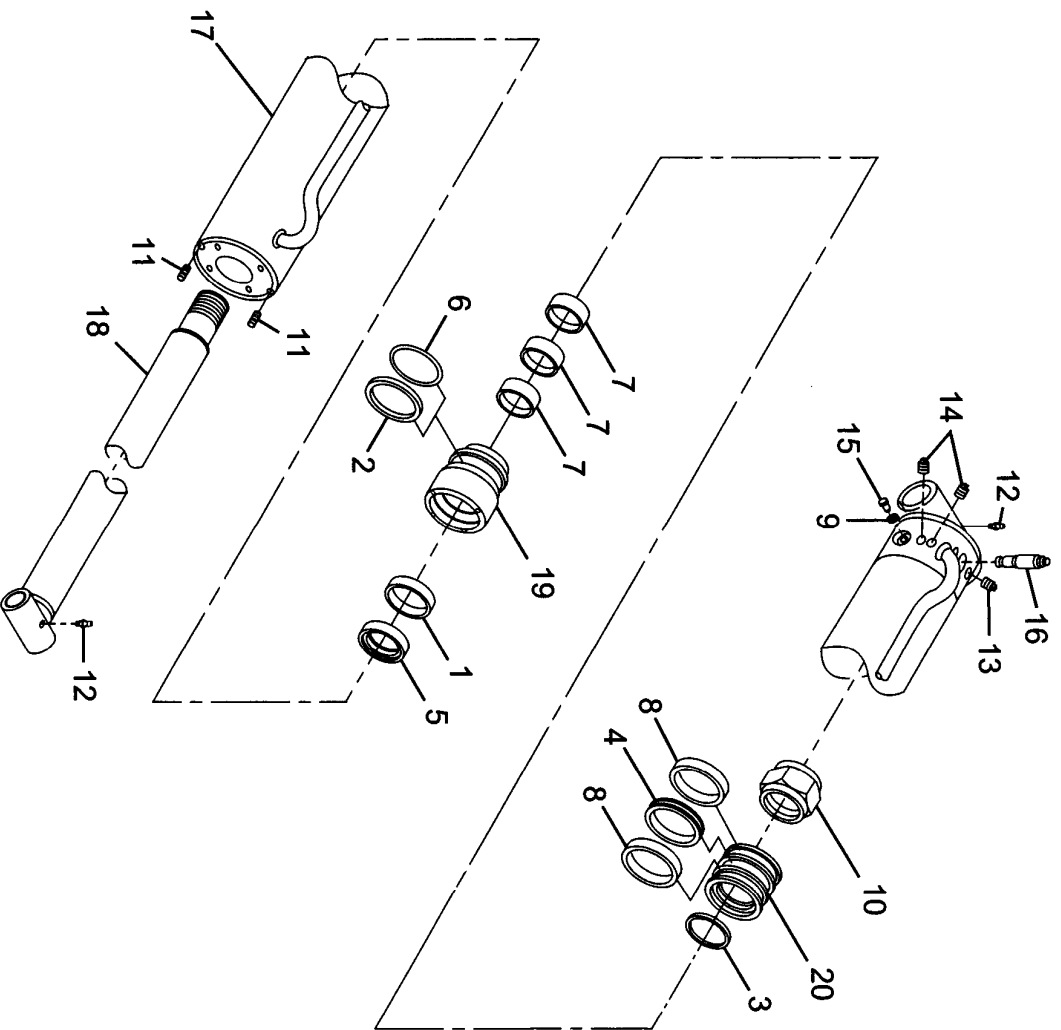
*Available only in Service Kit #7577250204



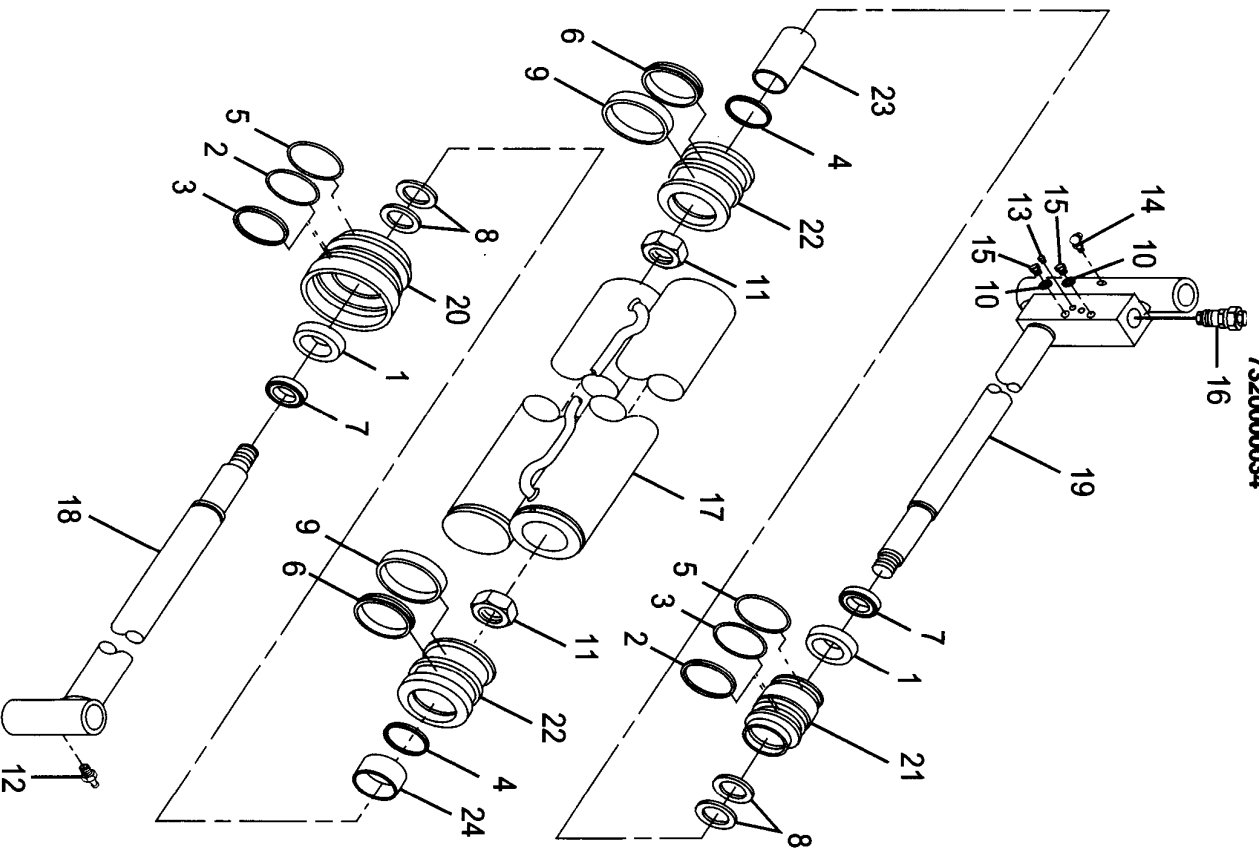
B-14

Rev. _____
Date _____

UNDER LIFT TILT CYLINDERS
7320000039



UNDER LIFT EXTENSION CYLINDER
732000034



B-16

Rev. _____
Date _____

**PARTS LIST — UNDER LIFT EXTENSION CYLINDER
732000034**

Ref. No.	Part No.	Description	Qty.
1	9796250069*	Seal	2
2	9796250109*	O-Ring	2
3	9754250042*	Back-Up	2
4	9796250110*	O-Ring	2
5	9796250111*	O-Ring	2
6	9796250112*	Seal	2
7	9796250116*	Wiper	2
8	9754250015*	Wear Ring	4
9	9754250044*	Wear Ring	2
10	9796250079	Washer Seal	2
11	9661250020	Locknut	2
12	7440030000	Lube Fitting	1
13	9701250007	Port Plug	2
14	7440030400	Lube Fitting	1
15	9701250005	Bleeder Plug	2
16	9935250025	Cartridge Check Kit	1
17	9912250015	Tube Assy	1
18	9763250016	Rod Assy	1
19	9763250017	Rod - Tube Assy	1
20	9553250011	Head	1
21	9553250012	Head	1
22	9698250013	Piston	2
23	9831250015	Spacer	1
24	9831250016	Spacer	1

*Available only in Service Kit #7577250203



B-17

Rev. _____

Date _____

**PARTS LIST — SPADE CYLINDER
732000006**

Ref. No.	Part No.	Description	Qty.
1	9701250007	Port Plug	2
2	7440030400	Lube Fitting	2
3	9754250014*	Wear Ring	1
4	9796250073*	Seal	1
5	9698250007	Piston	1
6	9912250004	Tube Assy	1
7	9763250009	Rod Assy	1
8	9796250057*	O-Ring	1
9	9754250009*	Back-up	1
10	9796250066*	O-Ring	1
11	9553250009	Head	1
12	9796250080*	Wiper	1
13	9796250069*	Seal	1
14	9754250015*	Wear Ring	2
15	9796250061*	O-Ring	1
16	9661250016	Locknut	1
17	7935000139	Counterbalance Valve	2
18	9796250079*	Washer Seal	2
19	9701250005	Bleeder Plug	2

* Available only in Service Kit #7577000167

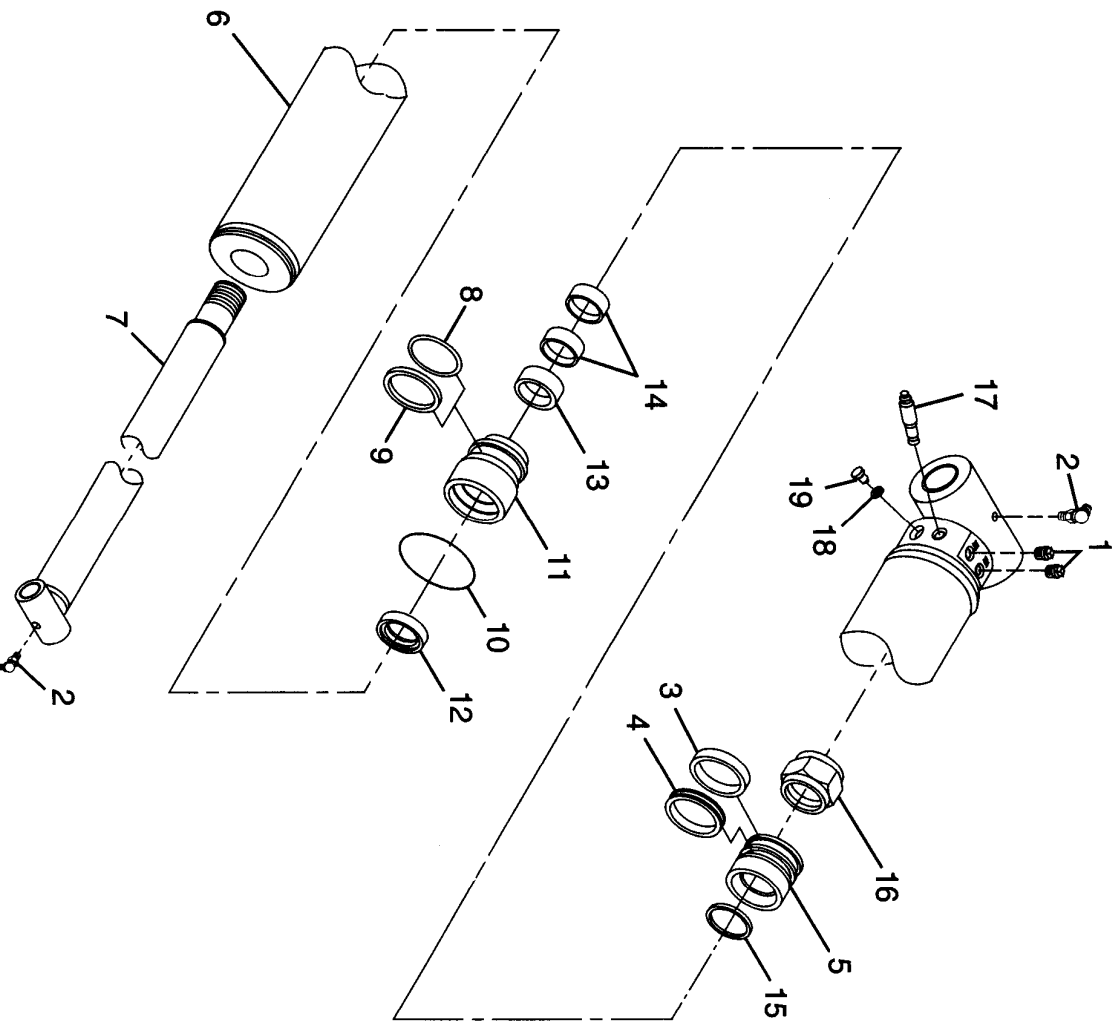


B-18

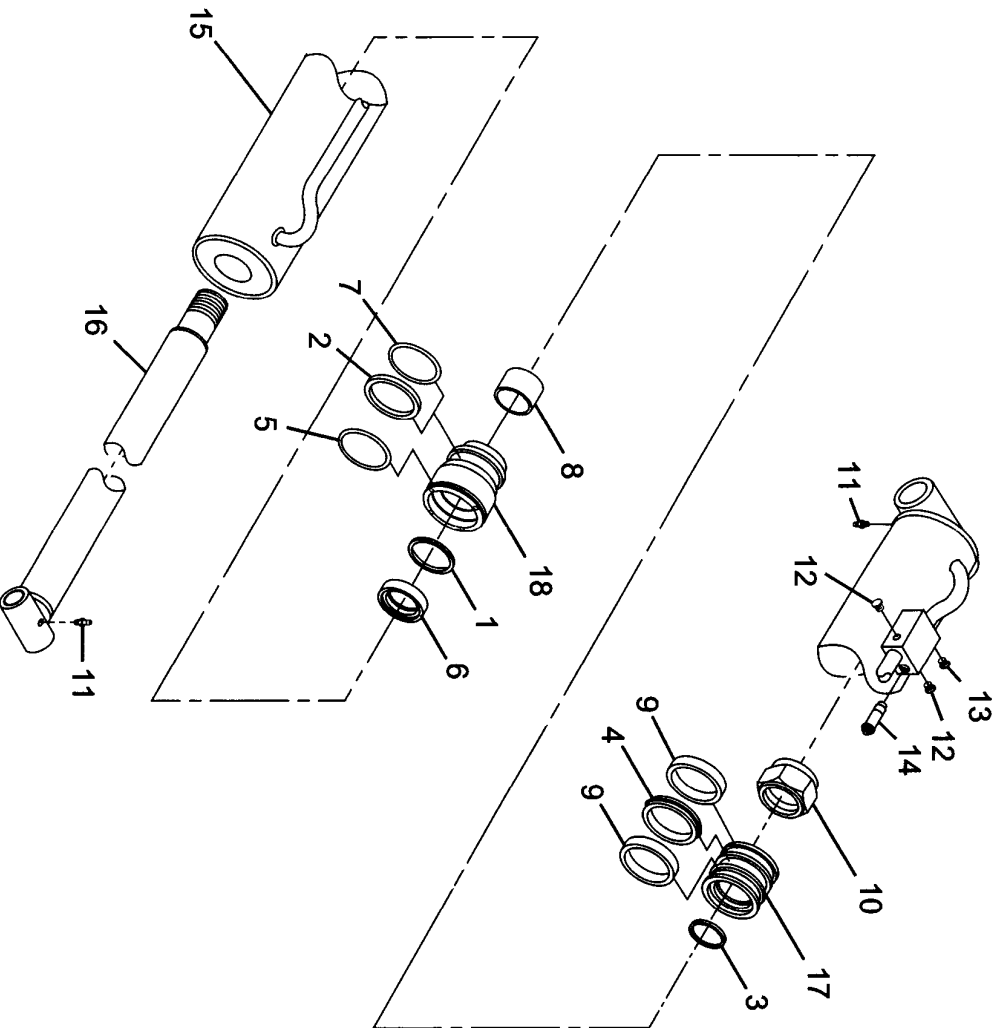
Rev. _____

Date _____

SPADE CYLINDER
732000006



UNDERLIFT LIFT CYLINDER
732000040



B-20

Rev. _____
Date _____

**PARTS LIST — UNDERLIFT LIFT CYLINDER
732000040**

Ref. No.	Part No.	Description	Qty.
1	9796250071*	Seal	1
2	9754250043*	Back-Up	1
3	9796250062*	O-Ring	1
4	9796250113*	Seal	1
5	9796250124*	O-Ring	1
6	9796250114*	Wiper	1
7	9796250117*	O-Ring	1
8	9754250018*	Wear Ring	3
9	9754250045*	Wear Ring	4
10	9661250017	Locknut	1
11	7440030000	Lube Fitting	2
12	9701250007	Port Plug	2
13	9701250017	Port Plug	1
14	9935250032	Counterbalance Valve	1
15	9912250018	Tube Assy	1
16	9763250022	Rod Assy	1
17	9698250017	Piston	1
18	9553250014	Head	1

*Available only in Service Kit #7577250255



B-21

Rev. _____

Date _____

PARTS LIST — UNDER LIFT EXTENSION CYLINDERS
7320000041

Ref. No.	Part No.	Description	Qty.
1	9796250069*	Seal	2
2	9796250109*	O-Ring	2
3	9754250042*	Back-Up	2
4	9796250110*	O-Ring	2
5	9796250111*	O-Ring	2
6	9796250112*	Seal	2
7	9796250116*	Wiper	2
8	9754250015*	Wear Ring	4
9	9754250044*	Wear Ring	2
10	9796250079	Washer Seal	2
11	9661250020	Locknut	2
12	7440030000	Lube Fitting	1
13	9701250007	Port Plug	2
14	7440030400	Lube Fitting	1
15	9701250005	Bleeder Plug	2
16	9935250025	Cartridge Check Kit	1
17	9912250019	Tube Assy	1
18	9763250024	Rod Assy	1
19	9763250023	Rod - Tube Assy	1
20	9553250011	Head	1
21	9553250012	Head	1
22	9698250013	Piston	2
23	9831250015	Spacer	1
24	9831250016	Spacer	1

*Available only in Service Kit #7577250203

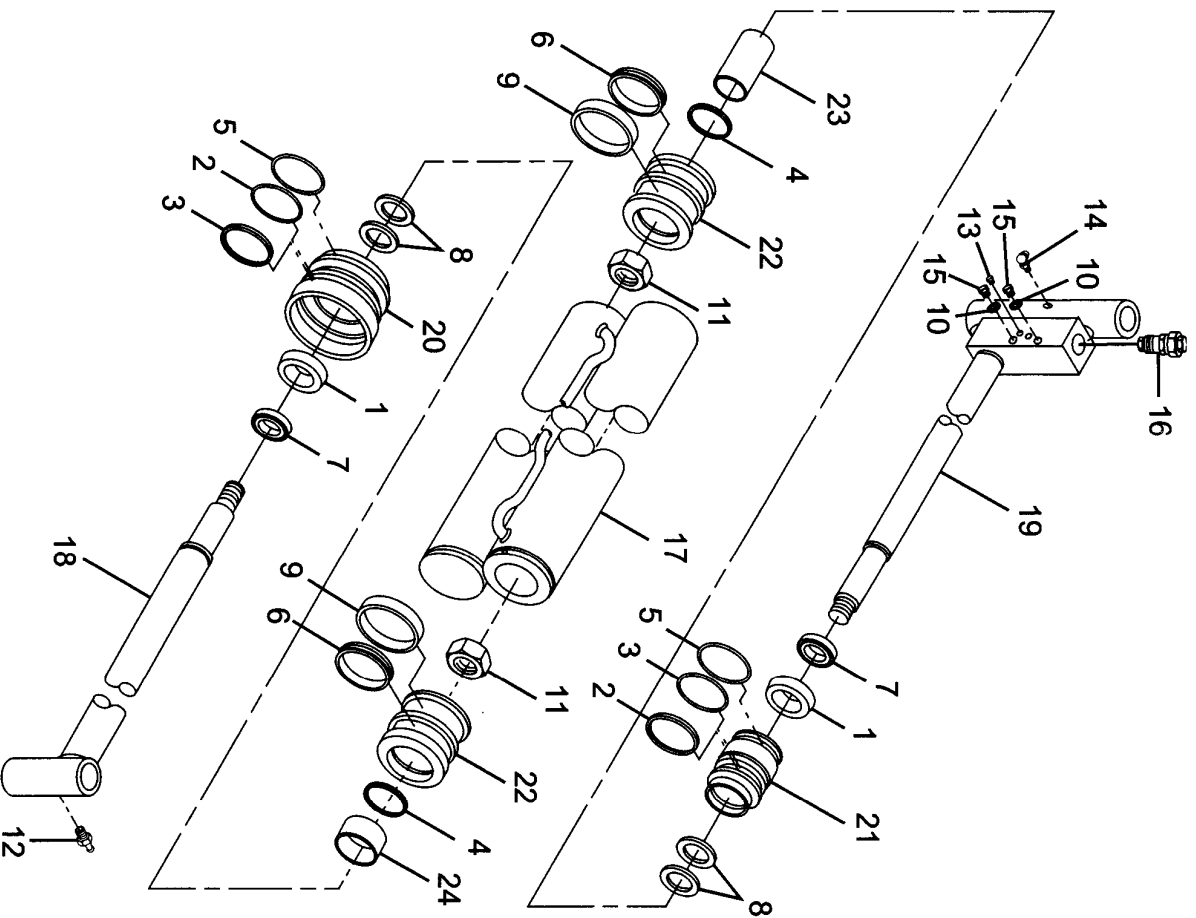


B-22

Rev. _____

Date _____

PARTS LIST — UNDER LIFT EXTENSION CYLINDER
732000041



BODY PARTS

86" Body	C-2
146" Body	C-18
Tunnel Toolbox – 24.....	C-34
Tunnel Toolbox – 49"	C-36
Stand-Alone Toolbox – 24"	C-40
Stand-Alone Toolbox – 49"	C-44
3/4 Height Tunnel Toolbox – 24	C-48
3/4 Height Stand-Alone Toolbox – 24	C-50
Headboard/Light Pylon	C-52
Controls Assembly	C-54
Body Lights	C-60

PARTS LIST — 86" BODY - DOOR AND HARDWARE ASSEMBLY

Ref. No.	Part No.	Description	Qty.
1	4679000117	Rubber Pad	2
2	4679000119	Rubber Pad	2
3	4679000131	Rubber Pad	2
4	7660102601	Locknut	40
5	7178000023	Bracket	8
6	7114100618	Capscrew	16
7	4062000174	Bar	4
8	7843000022	Spring	8
9	7660152601	Locknut	8
10	7865000001	Ball Stud	8
11	7115140650	Capscrew	16
12	7950140161	Flatwasher	16
13	7114140518	Capscrew	24
14	7949000025	Lockwasher	24
15	3555000007	Hinge Weldment	4
16	7660142601	Locknut	16
17	4632000013	Door Seal	4
18	4686000074	Horizontal Door	4
19	3555000008	Hinge Weldment	4
20	7585000004	Latch Striker	4
21	7115161050	Capscrew	8
22	7950160161	Flatwasher	16
23	7660162601	Locknut	8
24	7661000021	Locknut	4
25	4178000225	Bracket	4
26	7950100151	Flatwasher	24
27	7796000038	Gasket	4
28	7595000005	Rotary Latch	4
29	7790101276	Pan Head Screw	16

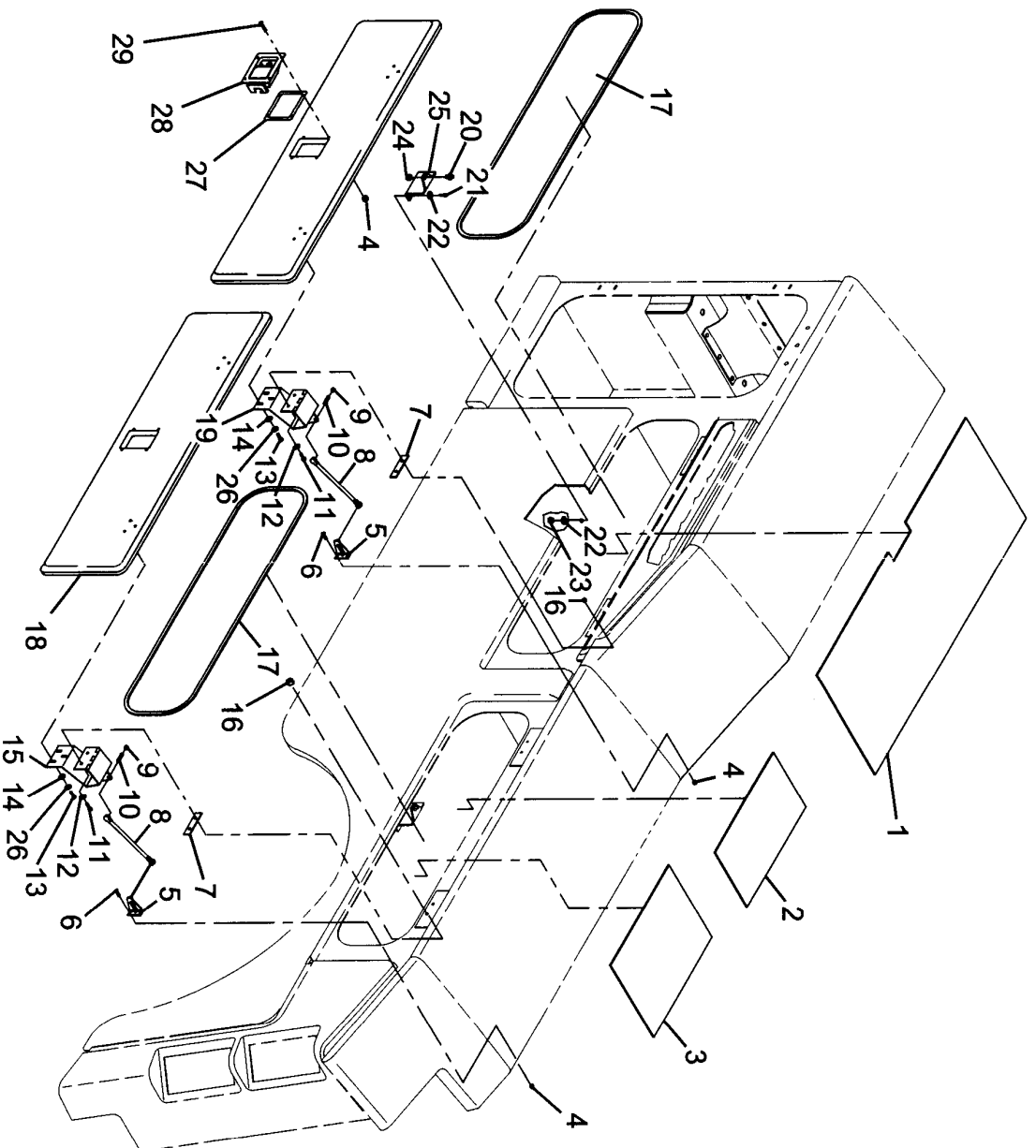


C-2

Rev. _____

Date _____

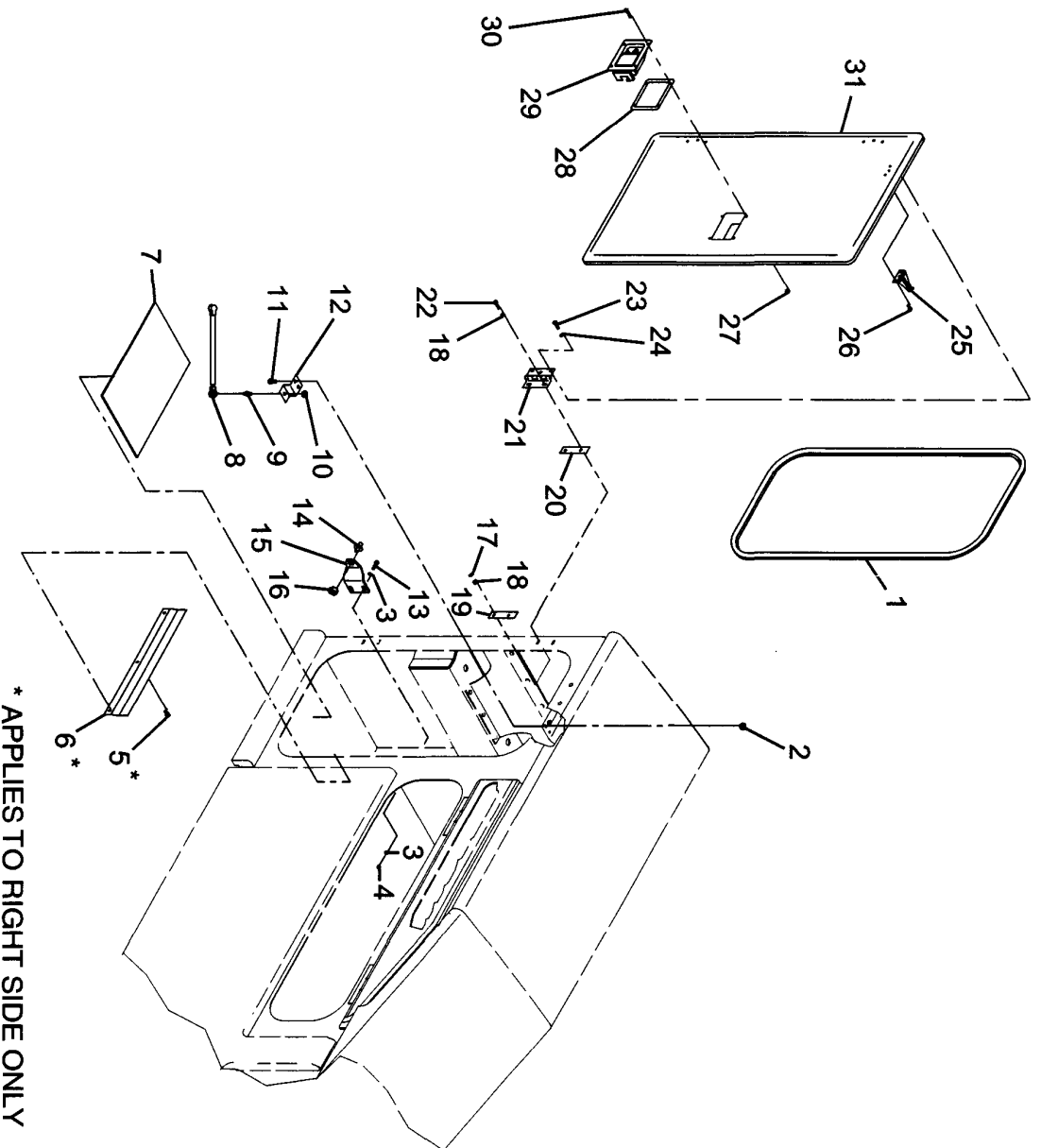
BODY - DOOR AND HARDWARE ASSEMBLY



C-3

Rev. _____
Date _____

86" BODY - DOOR AND HARDWARE ASSEMBLY



* APPLIES TO RIGHT SIDE ONLY



C4

Rev. _____
Date _____

PARTS LIST — 86" BODY - DOOR AND HARDWARE ASSEMBLY

Ref. No.	Part No.	Description	Qty.
1	4632000012	Door Seal	2
2	7660152601	Locknut	4
3	7650160141	Flatwasher	6
4	7660162601	Locknut	4
5	7790141251(B)	Hex Head Screw	3
6	4811000135(B)	Sheet	1
7	4679000118(A)	Rubber Pad	1
	4679000114(B)	Rubber Pad	1
8	7843000020	Spring	2
9	7865000001	Ball Stud	2
10	7660152601	Locknut	2
11	7115150650	Capscrew	4
12	4178000240	Bracket	2
13	7115161050	Capscrew	4
14	7585000004	Latch Striker	2
15	4178000225	Bracket	2
16	7661000021	Locknut	2
17	7660142601	Locknut	8
18	7950140161	Flatwasher	16
19	4062000173	Bar	4
20	4812000052	Shim	4
21	7555000002	Hinge	4
22	7114140818	Capscrew	8
23	7114140418	Capscrew	12
24	7949000025	Washer	12
25	7178000023	Ball Stud Bracket	2
26	7114100418	Capscrew	6
27	7660102601	Nut	8
28	7796000038	Gasket	2
29	7595000005	Rotary Latch	2
30	7790101276	Capscrew	8
31	4686000072(A)	Panel Door - LH	1
	4686000073(B)	Panel Door - RH	1

A - Applies to Left Side Only.
 B - applies to Right Side Only.



C-5

Rev. _____

Date _____

PARTS LIST — 86" BODY FLARE INSTALLATION TANDEM AXLE

Ref. No.	Part No.	Description	Qty.
1	7002000187	Rubber Fender Flare	2 Pair
2	4415000019	Wheelwell Flare - LH 52" Axle Spread	1
	4415000030	Wheelwell Flare - LH 58.5" Axle Spread	
	4415000017	Wheelwell Flare - RH 52" Axle Spread	
	4415000028	Wheelwell Flare - RH 58.5" Axle Spread	
3	7660142601	Locknut	*
4	7950140151	Flatwasher	*
5	7111141050	Capscrew	10
6	7415000010	Flare Junction Panel - 52" Axle Spread	2
	7415000011	Flare Junction Panel - 58.5 Axle Spread	
7	4636000032	Rubber Mount	2
8	7949000022	Fender Washer	2
9	7790142051	Capscrew	2
10	4415000018	Wheelwell Flare - LH 52" Axle Spread	1
	4415000029	Wheelwell Flare - LH 58.5" Axle Spread	
	4415000016	Wheelwell Flare - RH 52" Axle Spread	1
	4415000027	Wheelwell Flare - RH 58.5" Axle Spread	
11	4415000020	22.50" Body Flare	2
	4415000024	44.50" Body Flare	
	4415000025	68.75" Body Flare	
	4415000026	93.00" Body Flare	
12	7415000013	Cap - RH	4
	7415000014	Cap - LH	
13	7115141850	Capscrew	

*Quantity varies according to Body Length

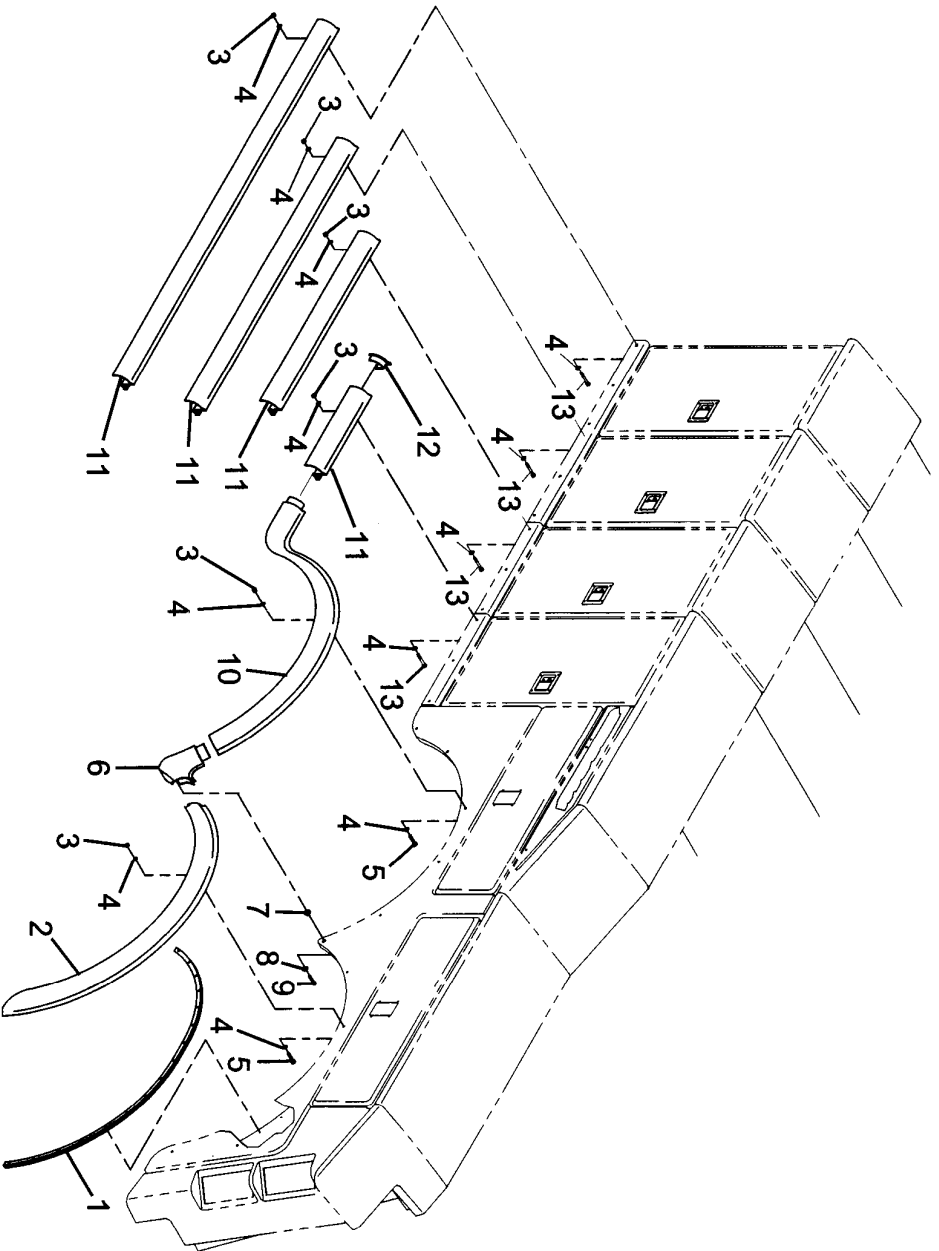


C-6

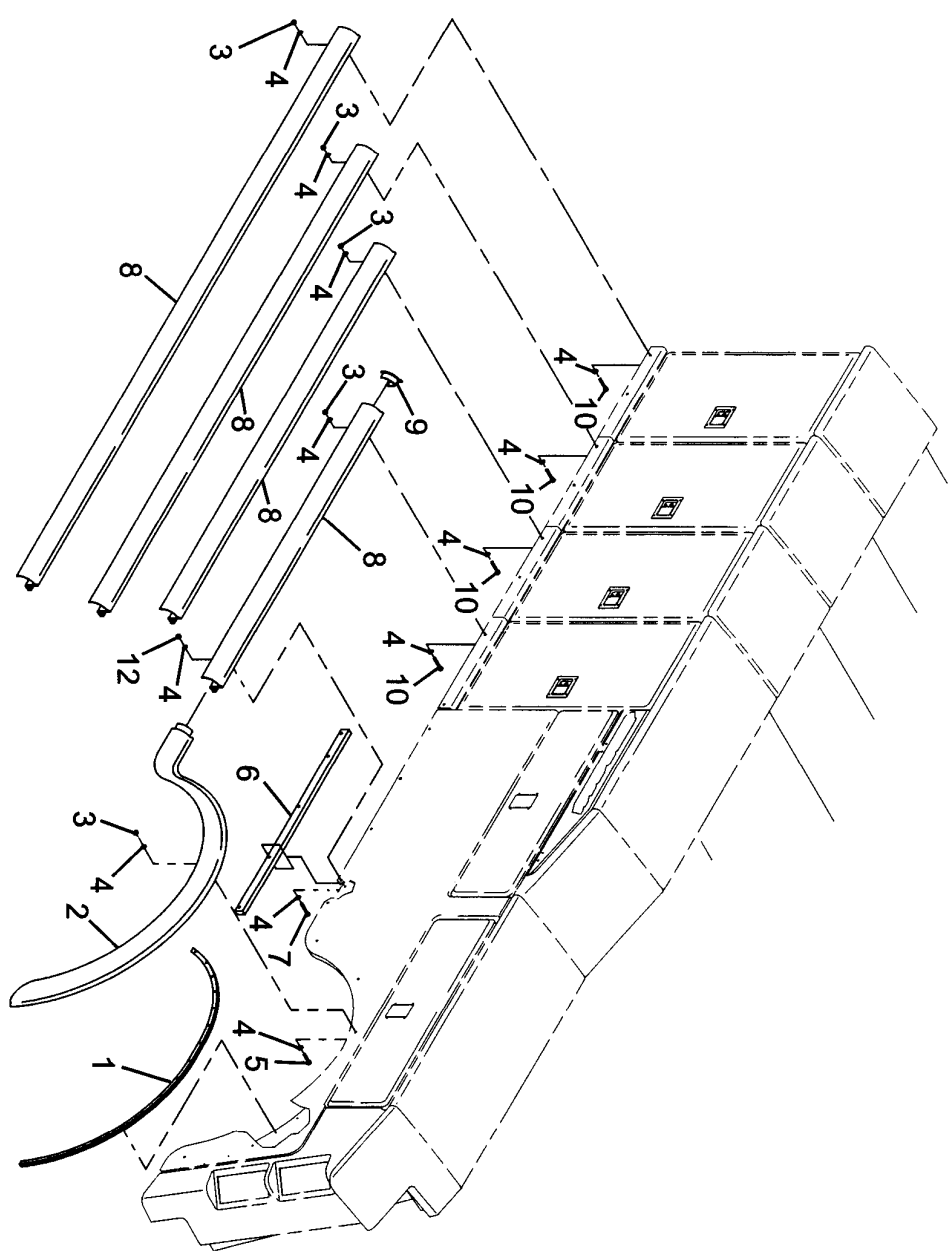
Rev. _____

Date _____

86" BODY FLARE INSTALLATION TANDEM AXLE



86" BODY FLARE INSTALLATION SINGLE AXLE



C8

Rev. _____
Date _____

PARTS LIST — 86" BODY FLARE INSTALLATION SINGLE AXLE

Ref. No.	Part No.	Description	Qty.
1	7002000187	Rubber Fender Flare	1 Pair
2	7415000008	Wheelwell Flare - LH	1
	7415000007	Wheelwell Flare - RH	1
3	7660142601	Locknut	*
4	7950140151	Flatwasher	*
5	7111141050	Capscrew	10
6	4831000068	Spacer	2
7	7115142050	Capscrew	10
8	4415000015	72.25" Body Flare	2
	4415000021	96.50" Body Flare	
	4415000022	120.75" Body Flare	
	4415000023	145.00" Body Flare	
9	7415000013	Cap - RH	1
	7415000014	Cap - LH	1
10	7115141850	Capscrew	*

*Quantity varies according to body length



C-9

Rev. _____

Date _____

**PARTS LIST — 86" BODY, MUDFLAP AND
TOOLHOLDERS INSTALLATION**

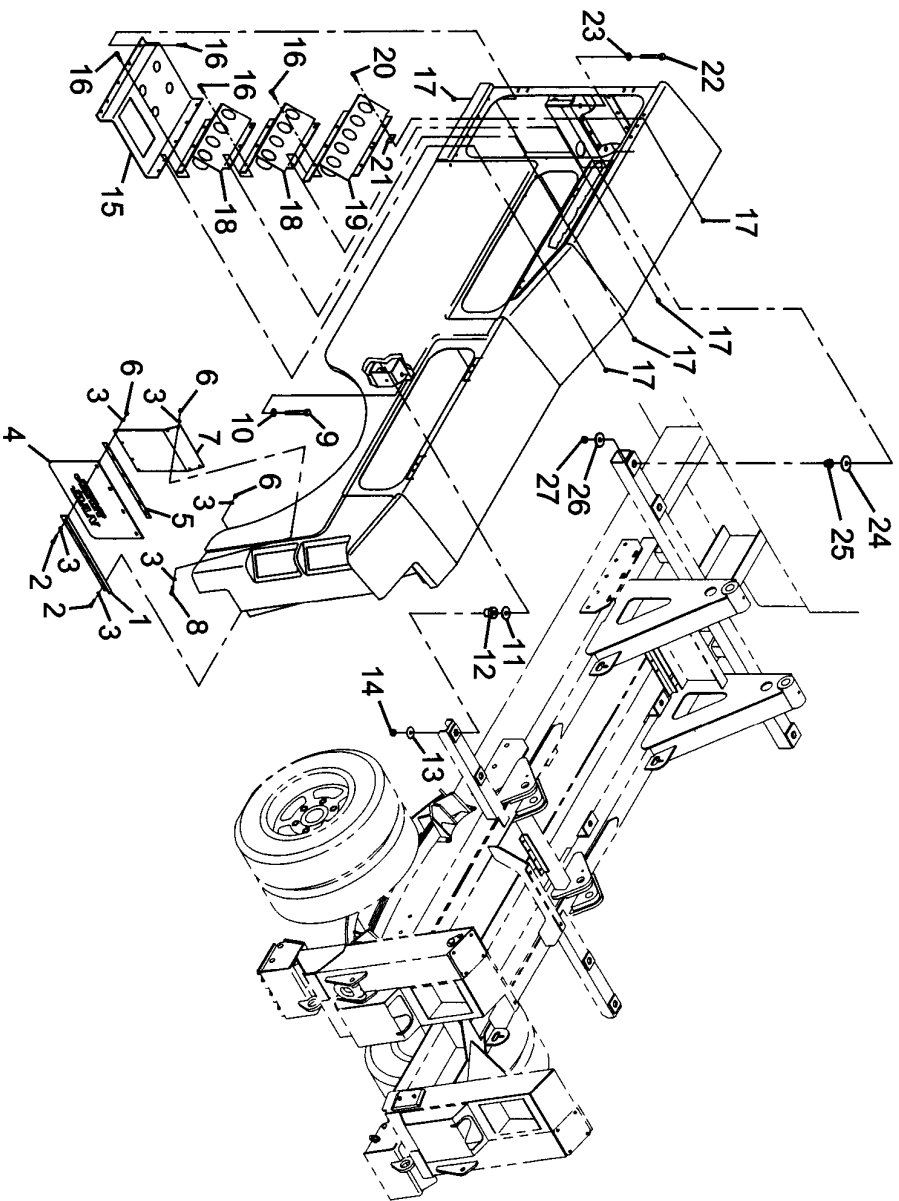
Ref. No.	Part No.	Description	Qty.
1	4017000719	Angle	2
2	7118151250	Capscrew	12
3	7950150151	Flatwasher	40
4	7638000007	Mud Flap	2
5	4706001815	Plate	2
6	7660152601	Locknut	20
7	4178000242	Bracket	2
8	7115150850	Capscrew	8
9	7115202850	Capscrew	4
10	7950200161	Flatwasher	4
11	7949000019	Snub Head Washer	4
12	7636000008	Mount	4
13	7949000020	Snub Tail Washer	4
14	7660200001	Nut	4
15	3178000222	Basetool Holder	1
16	7115160850	Capscrew	16
17	7660160001	Nut	19
18	3178000221	Intermediate Tool Holder	2
19	3178000220	Top Tool Holder	1
20	7115161050	Capscrew	3
21	4812000047	Shim	1
22	7115223250	Capscrew	4
23	7950220161	Flatwasher	4
24	7949000017	Washer	4
25	7636000007	Mount	4
26	7949000018	Washer	4
27	7660220001	Nut	4



C-10

Rev. _____
Date _____

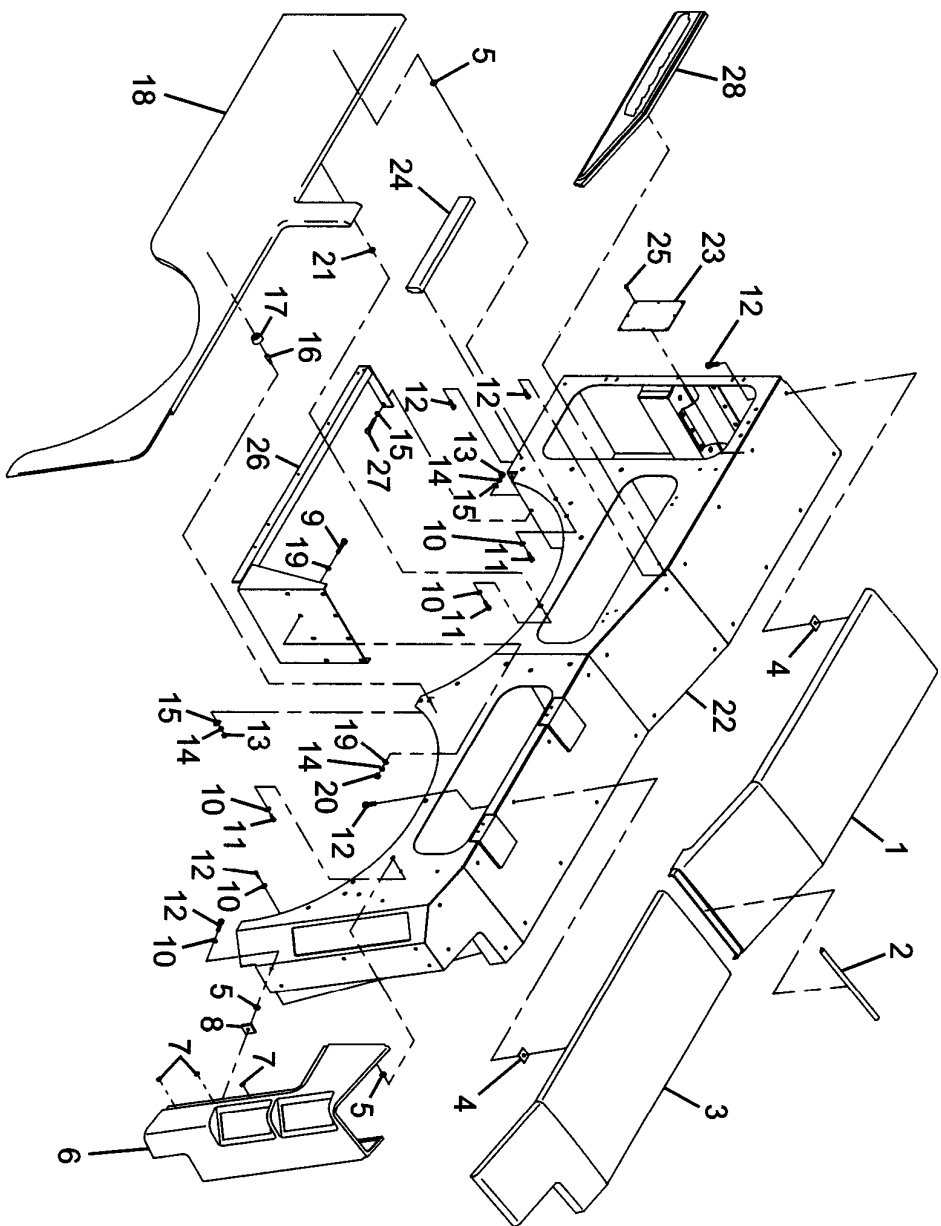
86" BODY, MUDFLAP AND TOOLHOLDERS INSTALLATION



C-11

Rev. _____
Date _____

86" BODY PANEL - 1 AXLE



PARTS LIST – 86" BODY PANEL - 1 AXLE

Ref. No.	Part No.	Description	Qty.
1	7686000009	Front Cap Panel - RH	1
	7686000010	Front Cap Panel - LH	1
2	7632046022	Moulding	2
3	7686000017	Rear Cap Panel - RH	1
	7686000018	Rear Cap Panel - LH	1
4	4679000120	Rubber Pad	46
5	4636000031	Rubber Mount	40
6	7686000013	Tail Light Panel - RH	1
	7686000014	Tail Light Panel - LH	1
7	7189000015	Bumper	6
8	4679000121	.25 Rubber Pad	10
	4679000122	.38 Rubber Pad	10
9	7115161250	Capscrew	16
10	7949000022	Fender Washer	58
11	7790142051	Hex Hd Screw	54
12	7790141251	Hex Hd Screw	56
13	7660160001	Nut	10
14	7950160000	Lockwasher	26
15	7950160161	Flatwasher	14
16	4691000245	Pin	6
17	4636000033	Rubber Mount	6
18	4686000076	Wheel Well Panel - RH	1
	4686000075	Wheel Well Panel - LH	1
19	7950160151	Flatwasher	32
20	7660160000	Nut	16
21	4636000032	Rubber Mount	14
22	3503080003	Body Assy - RH	1
	3503080002	Body Assy - LH	1
23	4811000091	Sheet	2
24	7686000019	Filler Strip Panel	2
25	7790100856	Screw	16
26	3017000027	Bracket Weldment - RH	1
	3017000026	Bracket Weldment - LH	1
27	7115161050	Capscrew	4
28	7686000015	Logo Panel - RH	1
	7686000016	Logo Panel - LH	1



C-13

Rev. _____

Date _____

PARTS LIST – 86" BODY PANEL - 2 AXLES

Ref. No.	Part No.	Description	Qty.
1	7686000009	Front Cap Panel - RH	1
	7686000010	Front Cap Panel - LH	1
2	7632046022	Moulding	2
3	7686000017	Rear Cap Panel - RH	
	7686000018	Rear Cap Panel - LH	
4	4679000120	Rubber Pad	46
5	4636000031	Rubber Mount	40
6	7686000013	Tail Light Panel - RH	1
	7686000014	Tail Light Panel - LH	1
7	7189000015	Bumper	6
8	4679000121	.25 Rubber Pad	10
	4679000122	.38 Rubber Pad	10
9	4636000032	Rubber Mount	14
10	7949000022	Fender Washer	58
11	7790142051	Hex Hd Screw	54
12	7790141251	Hex Hd Screw	54
13	7660160001	Nut	6
14	7950160000	Lockwasher	6
15	7950160161	Flatwasher	6
16	4691000245	Pin	6
17	4636000033	Rubber Mount	6
18	4686000078	Wheel Well Panel - RH 52" Axle Spread	
	4686000079	Wheel Well Panel - RH 58.5" Axle Spreac	
	4686000077	Wheel Well Panel - LH 52" Axle Spread	1
	7686000080	Wheel Well Panel - LH 58.5" Axle Spread	
22	7686000019	Filler Strip Panel	2
23	7686000015	Logo Panel - RH	1
	7686000016	Logo panel - LH	1
24	4811000091	Sheet	2
25	7790100856	Screw	16
26	3503080003	Body Assy - RH	1
	3503080002	Body Assy - LH	1

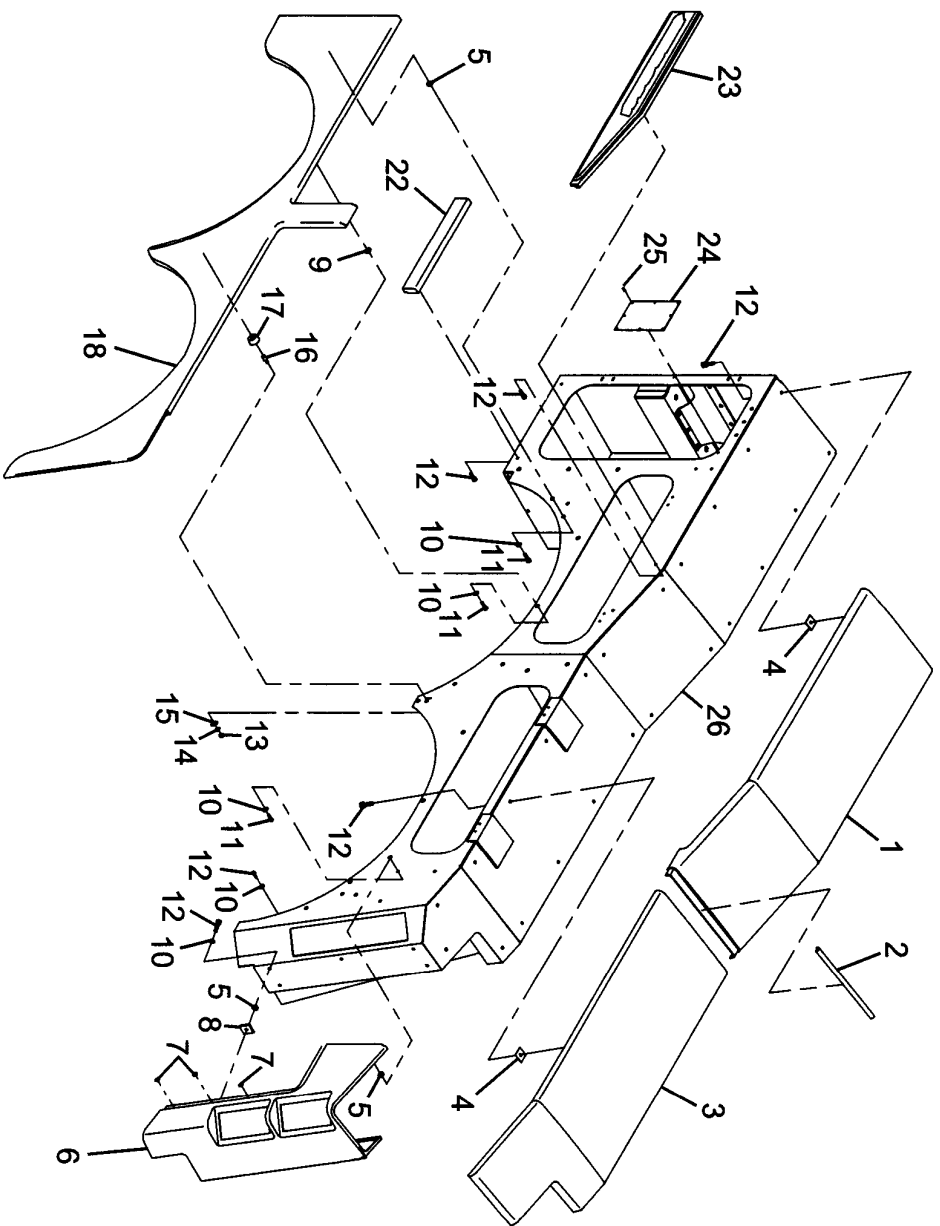


C-14

Rev. _____

Date _____

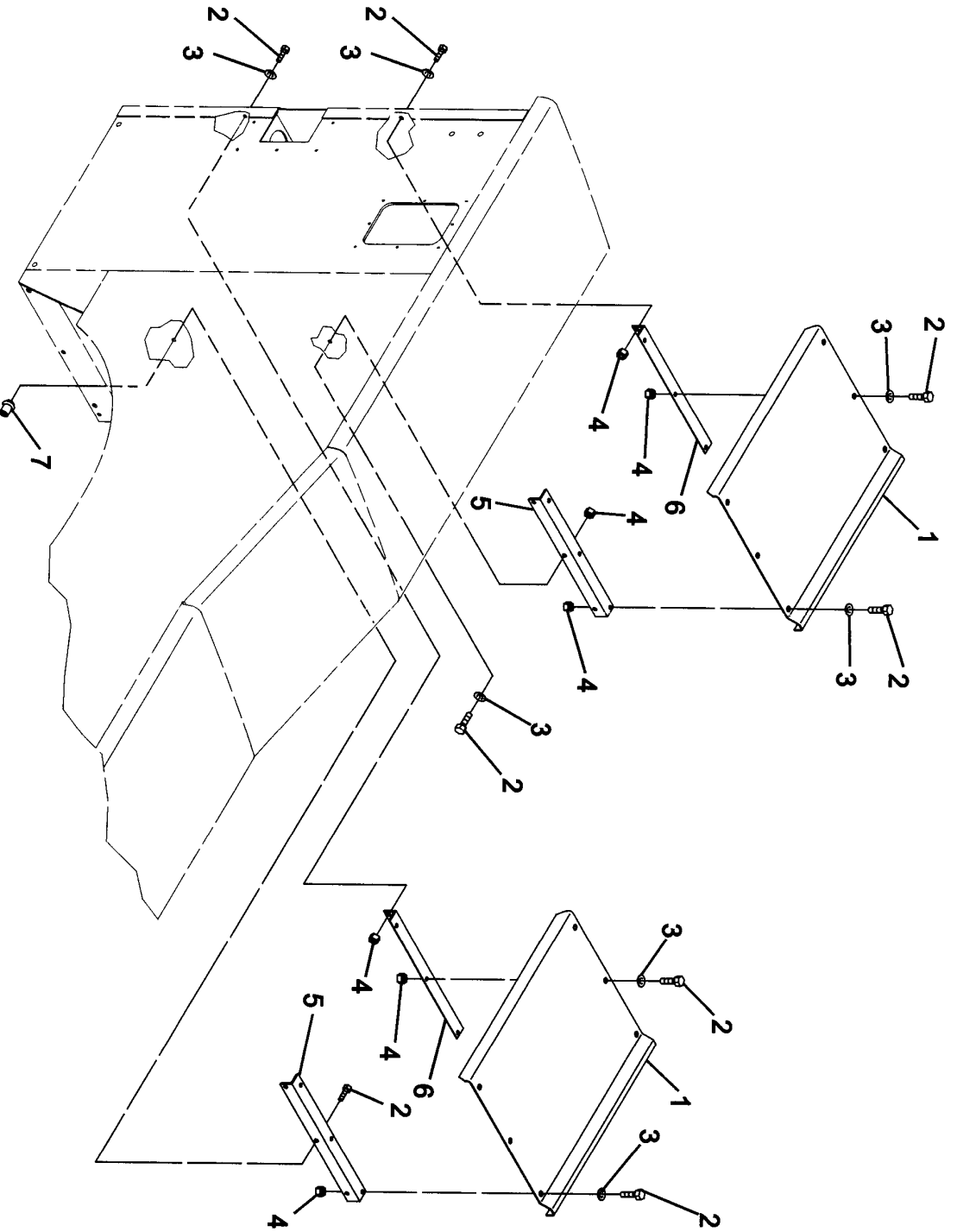
86" BODY PANEL - 2 AXLES



C-15

Rev. _____
Date _____

BRACKET ASSEMBLY



PARTS – BRACKET ASSEMBLY

Ref. No.	Part No.	Description	Qty.
1	4811000142	Sheet	2
2	7115160850	Capscrew	24
3	7950160161	Flatwasher	21
4	7660160001	Nut	21
5	4017000727	Angle, LH	2
6	4017000714	Angle, RH	2
7	7661000003	Rivnut	3



C-17

Rev. _____

Date _____

**PARTS LIST — 146" BODY, MUDFLAP AND TOOLHOLDERS
INSTALLATION**

Ref. No.	Part No.	Description	Qty.
1	4017000719	Angle	2
2	7118151250	Capscrew	12
3	7950150151	Flatwasher	40
4	7638000007	Mudflap	2
5	4706001815	Plate	2
6	7660152601	Locknut	20
7	4178000242	Bracket	2
8	7115150850	Capscrew	8
9	3178000222	Basetool Holder	1
10	3178000221	Intermediate Tool Holder	2
11	3178000220	Top Tool Holder	1
12	7115160850	Capscrew	16
13	7660160001	Nut	19
14	7115161050	Capscrew	3
15	4812000047	Shim	1
16	3502080063	St. Alone Body Assy, 52" Tandem, LH	1
	3502080064	St. Alone Body Assy, 52" Tandem, RH	1
	3502080065	St. Alone Body Assy, 58.5" Tandem, LH	1
	3502080066	St. Alone Body Assy, 58.5" Tandem, RH	1
	3502080067	St. Alone Body Assy, 52" Tri Axle, LH	1
	3502080068	St. Alone Body Assy, 52" Tri Axle, RH	1
	3502080069	St. Alone Body Assy, 58.5" Tri Axle, LH	1
	3502080070	St. Alone Body Assy, 58.5" Tri Axle, RH	1
17	7115202850	Capscrew	8
18	7950200161	Flatwasher	8
19	7949000019	Washer	8
20	7636000008	Mount	8
21	7949000020	Washer	8
22	7660200001	Nut	8
23	7115223250	Capscrew	8
24	7950220161	Flatwasher	8
25	7949000017	Washer	8
26	7636000007	Mount	8
27	7949000018	Washer	8
28	7660220001	Nut	8

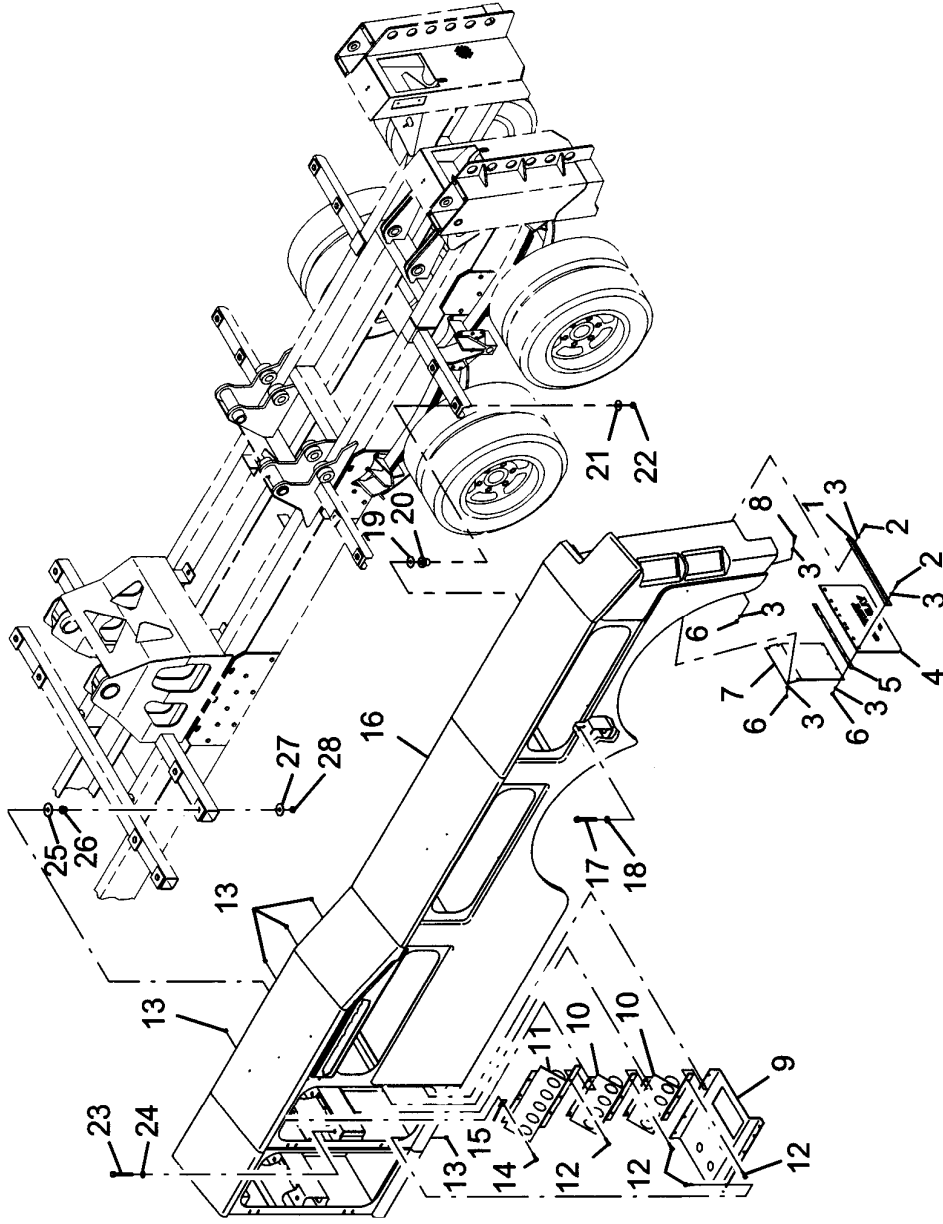


C-18

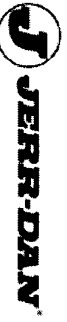
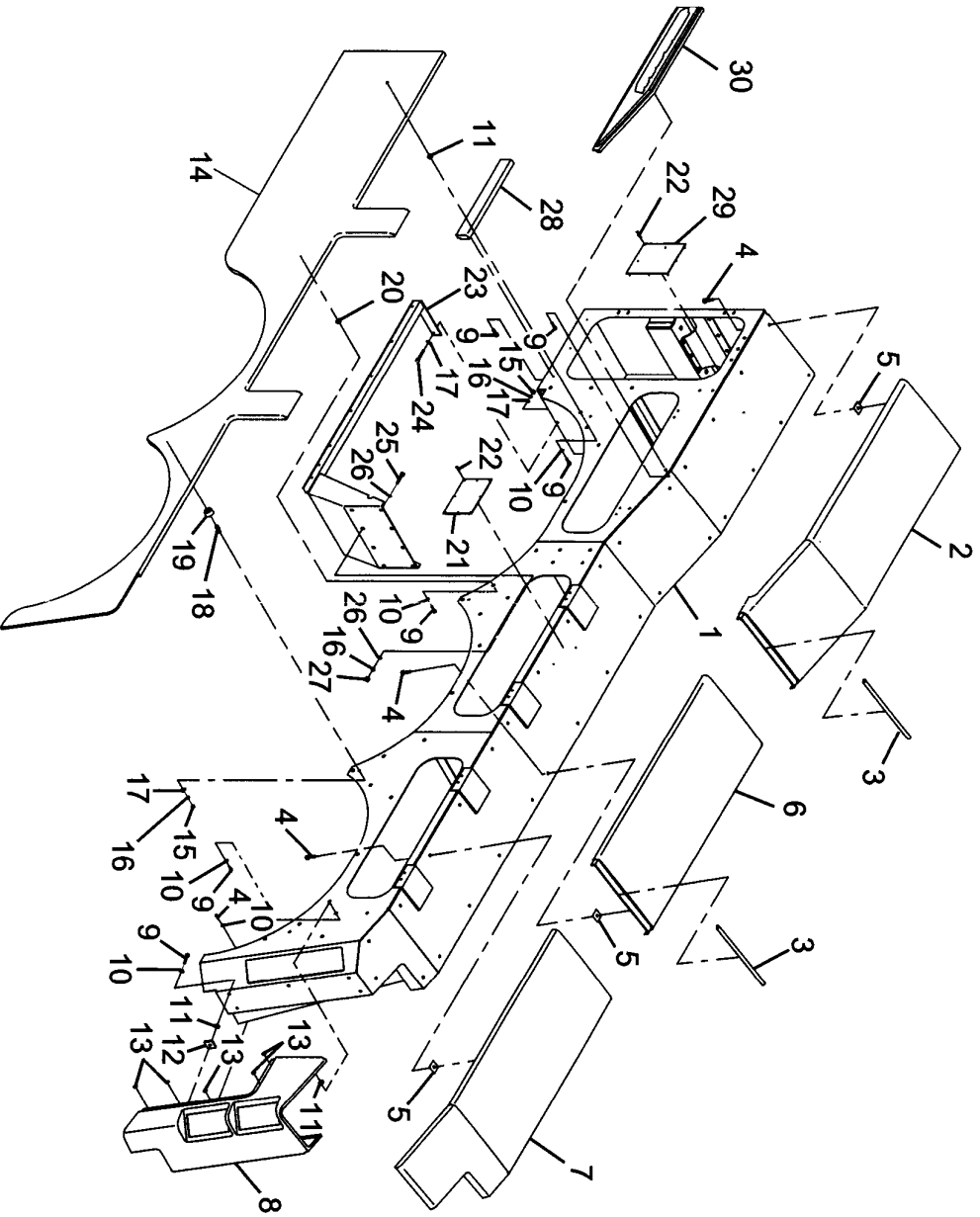
Rev. _____

Date _____

146" BODY, MUDDFLAP AND TOOLHOLDERS INSTALLATION



146" BODY PANEL - TANDEM AXLE



C-20

Rev. _____
Date _____

PARTS LIST — 146" BODY PANEL - TANDEM AXLE

Ref. No.	Part No.	Description	Qty.
1	3502080047	Body Assy, LH	1
	3502080048	Body Assy, RH	1
2	7686000010	Front Cap Panel, LH	1
	7686000009	Front Cap Panel, RH	1
3	7632046022	Moulding	4
4	7790141251	Hex Hd Screw	68
5	4679000120	Pad	62
6	7686000025	Top Cap Panel, LH	1
	7686000024	Top Cap Panel, RH	1
7	7686000018	Rear Cap Panel, LH	1
	7686000017	Rear Cap Panel, RH	1
8	7686000014	Tail Light Panel, LH	1
	7686000013	Tail Light Panel, RH	1
9	7790142051	Hex Hd Screw	94
	7790141651	Hex Hd Screw (Alternate Part)	94
10	7949000022	Fender Washer	82
11	4636000031	Rubber Mount	44
12	4679000122	.38 Rubber Pad	10
	4679000121	.25 Rubber Pad (Alternate Part)	10
13	7189000015	Bumper	10
14	4686000089	52" Wheelwell Panel, LH	1
	4686000090	52" Wheelwell Panel, RH	1
	4686000093	58.5" Wheelwell Panel, LH	1
	4686000094	58.5" Wheelwell Panel, RH	1
15	7660160001	Nut	12
16	7950160000	Lockwasher	12
17	7950160161	Flatwasher	16
18	4691000245	Pin	8
19	4636000033	Rubber Mount	8
20	4636000032	Rubber Mount	34
21	4811000091	Sheet	2
22	7790100856	Screw	32
23	3017000028	Bracket Weldment, LH	1
	3017000029	Bracket Weldment, RH	1
24	7115161050	Capscrew	4
25	7115161250	Capscrew	16
26	7950160151	Flatwasher	32
27	7660160000	Nut	16
28	7686000019	Filler Strip Panel	2
29	4811000221	Sheet	2
30	7686000016	Logo Panel, LH	1
	7686000015	Logo Panel, RH	1



C-21

Rev. _____

Date _____

PARTS LIST — 146" BODY PANEL - TRIPLE AXLE

Ref. No.	Part No.	Description	Qty.
1	3502080047	Body Assy, LH	1
	3502080048	Body Assy, RH	1
2	7686000010	Front Cap Panel, LH	1
	7686000009	Front Cap Panel, RH	1
3	7632046022	Moulding	4
4	7790141251	Hex Hd Screw	68
5	4679000120	Pad	62
6	7686000025	Top Cap Panel, LH	1
	7686000024	Top Cap Panel, RH	1
7	7686000018	Rear Cap Panel, LH	1
	7686000017	Rear Cap Panel, RH	1
8	7686000014	Tail Light Panel, LH	1
	7686000013	Tail Light Panel, RH	1
9	7790142051	Hex Hd Screw	94
	7790141651	Hex Hd Screw (Alternate Part)	94
10	7949000022	Fender Washer	82
11	4636000031	Rubber Mount	44
12	4679000122	.38 Rubber Pad	10
	4679000121	.25 Rubber Pad (Alternate Part)	10
13	7189000015	Bumper	10
14	4686000091	52" Wheelwell Panel, LH	1
	4686000092	52" Wheelwell Panel, RH	1
	4686000095	58.5" Wheelwell Panel, LH	1
	4686000096	58.5" Wheelwell Panel, RH	1
15	7660160001	Nut	8
16	7950160000	Lockwasher	8
17	7950160161	Flatwasher	8
18	4691000245	Pin	8
19	4636000033	Rubber Mount	8
20	4636000032	Rubber Mount	34
21	7686000019	Filler Strip Panel	2
22	4811000091	Sheet	2
23	7790100856	Screw	32
24	4811000221	Sheet	2
25	7686000016	Logo Panel, LH	1
	7686000015	Logo Panel, RH	1

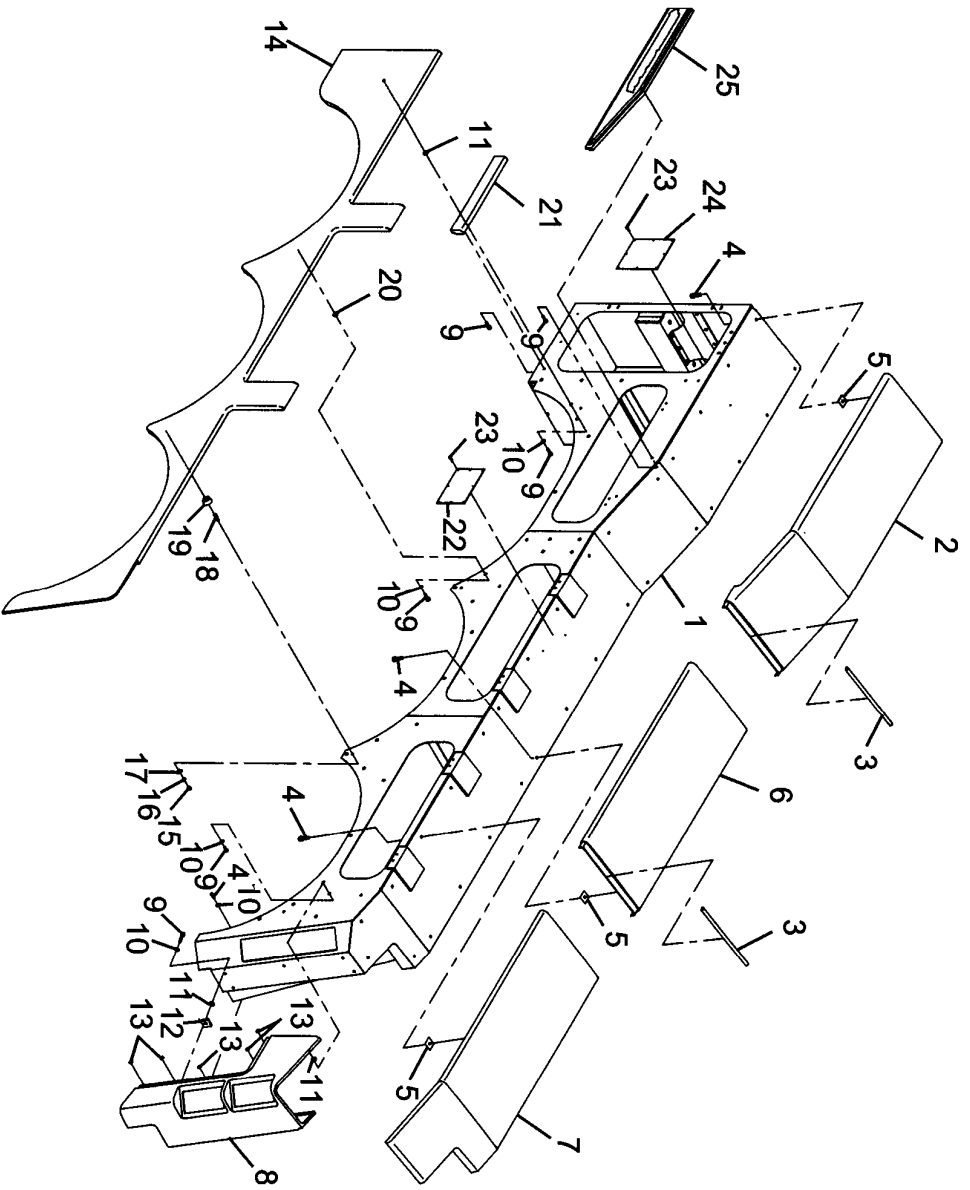


C-22

Rev. _____

Date _____

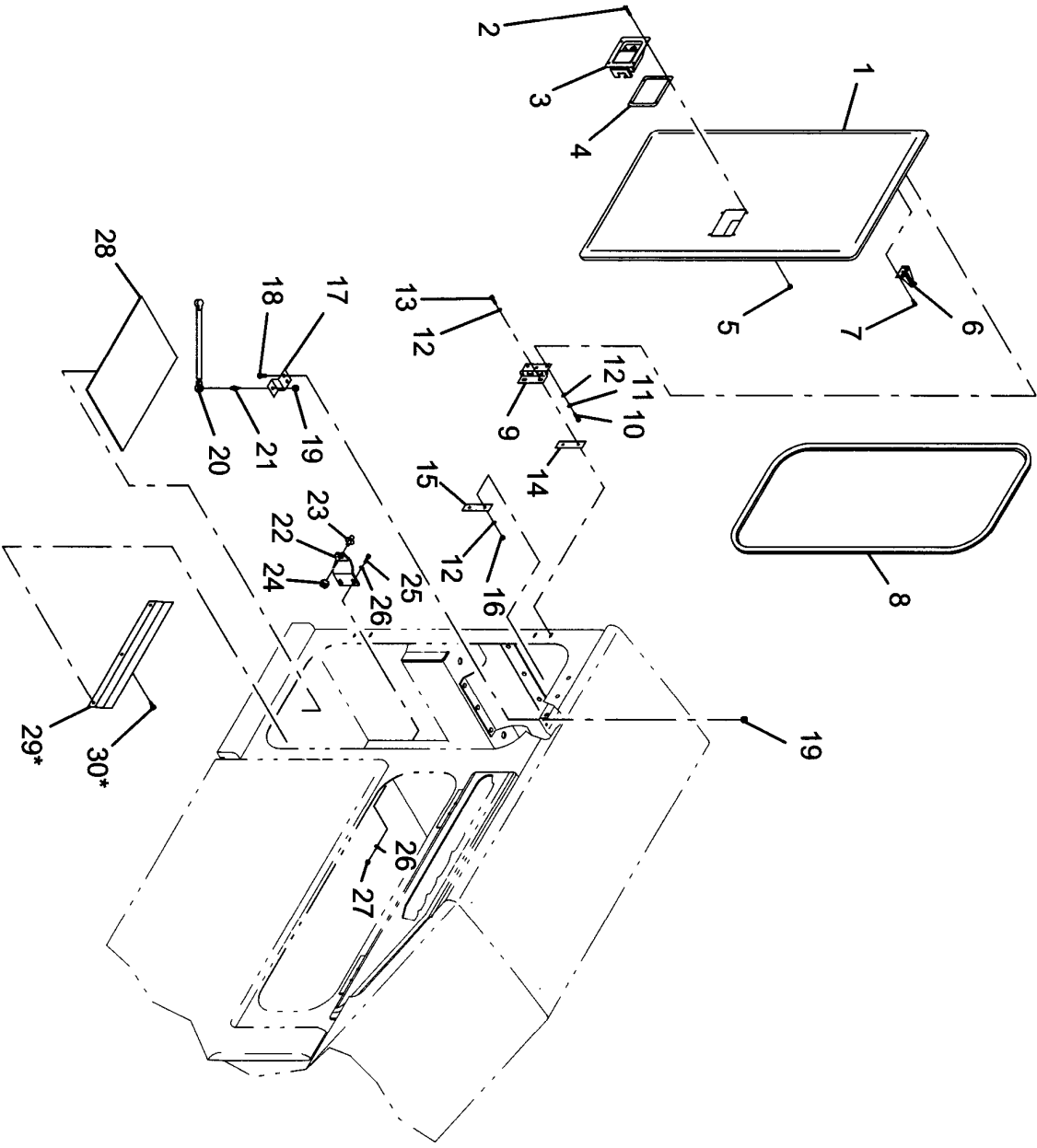
146" BODY PANEL - TRIPLE AXLE



C23

Rev. _____
Date _____

146" BODY - DOOR AND HARDWARE ASSEMBLY



* APPLIES TO RIGHT SIDE ONLY



C-24

Rev. _____
Date _____

PARTS LIST — 146" BODY - DOOR AND HARDWARE ASSEMBLY

Ref. No.	Part No.	Description	Qty.
1	4686000072	Panel Door, LH	1
	4686000073	Panel Door, RH	1
2	7114100818	Capscrew	8
3	7595000005	Paddle Latch	2
4	7796000038	Gasket	2
5	7660102601	Nut	8
6	7178000023	Ball Stud Bracket	2
7	7114100418	Capscrew	6
8	4632000012	Door Seal	2
9	7555000002	Hinge	4
10	7114140418	Capscrew	12
11	7949000025	Lockwasher	12
12	7950140161	Flatwasher	28
13	7114140818	Capscrew	8
14	4812000052	Shim	4
15	4062000173	Bar	4
16	7660142601	Locknut	8
17	4178000240	Bracket	2
18	7115150650	Capscrew	4
19	7660152601	Locknut	6
20	7843000020	Spring	2
21	7865000001	Ball Stud	2
22	4178000225	Bracket	2
23	7585000004	Latch Striker	2
24	7661000021	Locknut	2
25	7115161050	Capscrew	4
26	7950160141	Washer	6
27	7660162601	Locknut	2
28	4679000118	Rubber Pad, LH	1
	4679000114	Rubber Pad, RH	1
29	4811000135(A)	Sheet	1
30	7790141651(A)	Hex Head Screw	3

A – Applies to Right Side only



C-25

Rev. _____

Date _____

PARTS LIST — 146" BODY - DOOR AND HARDWARE ASSEMBLY

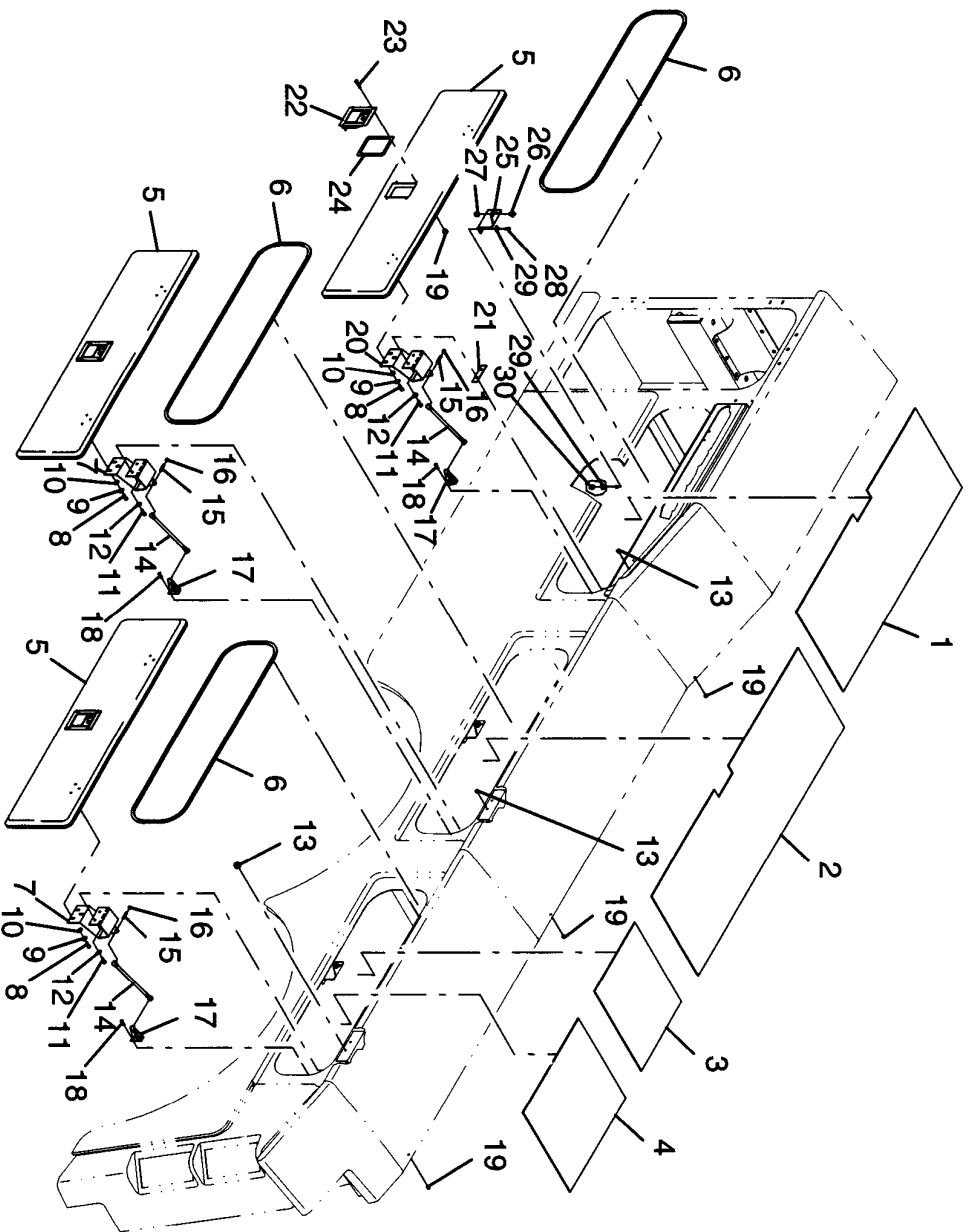
Ref. No.	Part No.	Description	Qty.
1	4679000117	Rubber Pad	2
2	4679000142	Rubber Pad	2
3	4679000143	Rubber Pad	2
4	4679000141	Rubber Pad, LH	1
	4679000144	Rubber Pad, RH	1
5	4686000074	Horizontal Door	6
6	4632000013	Door Seal	6
7	3555000007	Hinge Weldment	8
8	7114140518	Capscrew	36
9	7949000025	Lockwasher	36
10	7950100151	Flatwasher	36
11	7115140650	Capscrew	24
12	7950140161	Flatwasher	24
13	7660142601	Locknut	24
14	7843000022	Spring	12
15	7865000001	Ball Stud	12
16	7660152601	Locknut	12
17	7178000023	Bracket	12
18	7114100618	Capscrew	36
19	7660102601	Nut	60
20	3555000008	Hinge Weldment	4
21	4062000174	Bar	4
22	7595000005	Paddle Latch	6
23	7114100818	Capscrew	24
24	7796000038	Gasket	6
25	4178000225	Bracket	6
26	7585000004	Latch Striker	6
27	7661000021	Locknut	6
28	7115161050	Capscrew	12
29	7950160161	Flatwasher	24
30	7660162601	Locknut	12



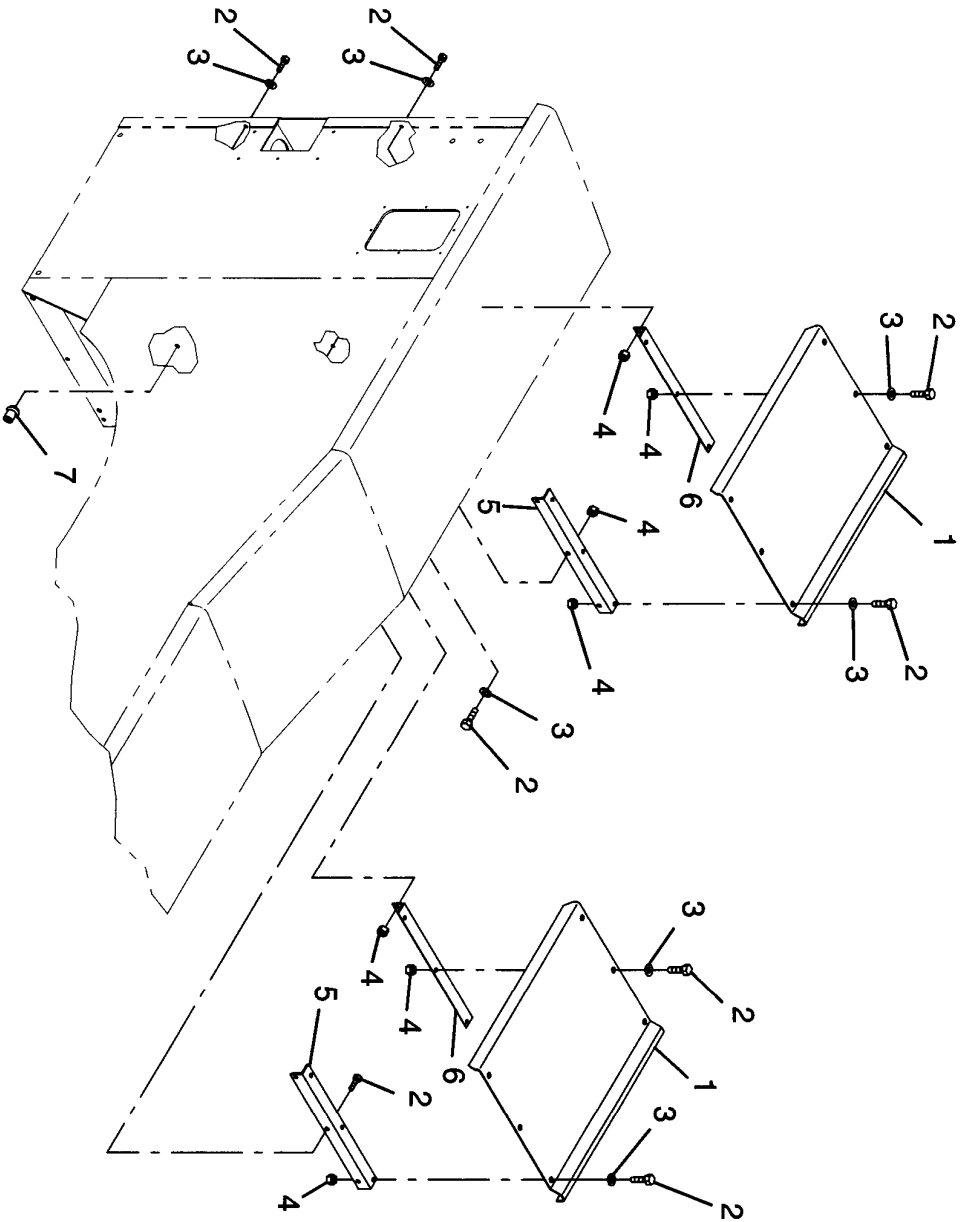
C-26

Rev. _____
Date _____

146" BODY - DOOR AND HARDWARE ASSEMBLY



SHELF ASSEMBLY



C-28

Rev. _____
Date _____

PARTS LIST — SHELF ASSEMBLY

Ref. No.	Part No.	Description	Qty.
1	4811000142	Sheet	2
2	7115160850	Capscrew	24
3	7950160161	Flatwasher	21
4	7660160001	Nut	21
5	4017000727	Angle, LH	2
6	4017000714	Angle, RH	2
7	7661000003	Rivnut	3



C-29

Rev. _____

Date _____

PARTS LIST — 146" BODY FLARE INSTALLATION TANDEM AXLE

Ref. No.	Part No.	Description	Qty.
1	4415000019	52" Wheelwell Flare, LH	1
	4415000017	52" Wheelwell Flare, RH	1
	4415000030	58.5" Wheelwell Flare, LH	1
	4415000028	58.5" Wheelwell Flare, RH	1
2	7111141050	Capscrew	16
3	7950140151	Flatwasher	80
4	7660142601	Locknut	40
5	7002000187	Rubber Fender Flares	2 pr
6	7415000010	52" Flare Junction Panel	2
	7415000011	58.5" Flare Junction Panel	2
7	7790142051	Hex Hd Screw	2
8	7949000022	Fender Washer	2
9	4679000148	Isolator Pad	2
10	4415000018	52" Wheelwell Flare, LH	1
	4415000016	52" Wheelwell Flare, RH	1
	4415000029	58.5" Wheelwell Flare, LH	1
	4415000027	58.5" Wheelwell Flare, RH	1
11	7115141850	Capscrew	24
12	4415000036	52" Wheelwell Body Flare	2
	4415000038	58.5" Wheelwell Body Flare	2
13	4831000070	Spacer	2
14	7415000014	Cap, LH	3
	7415000013	Cap, RH	3
15	4415000045	1 Toolbox Flare	2
	4415000046	2 Toolbox Flare	2
	4415000015	3 Toolbox Flare	2
	4415000021	4 Toolbox Flare	2
16	7115141850	Capscrew	*
17	7950140151	Flatwasher	*
18	7660142601	Locknut	*

* Quantity varies according to body length.

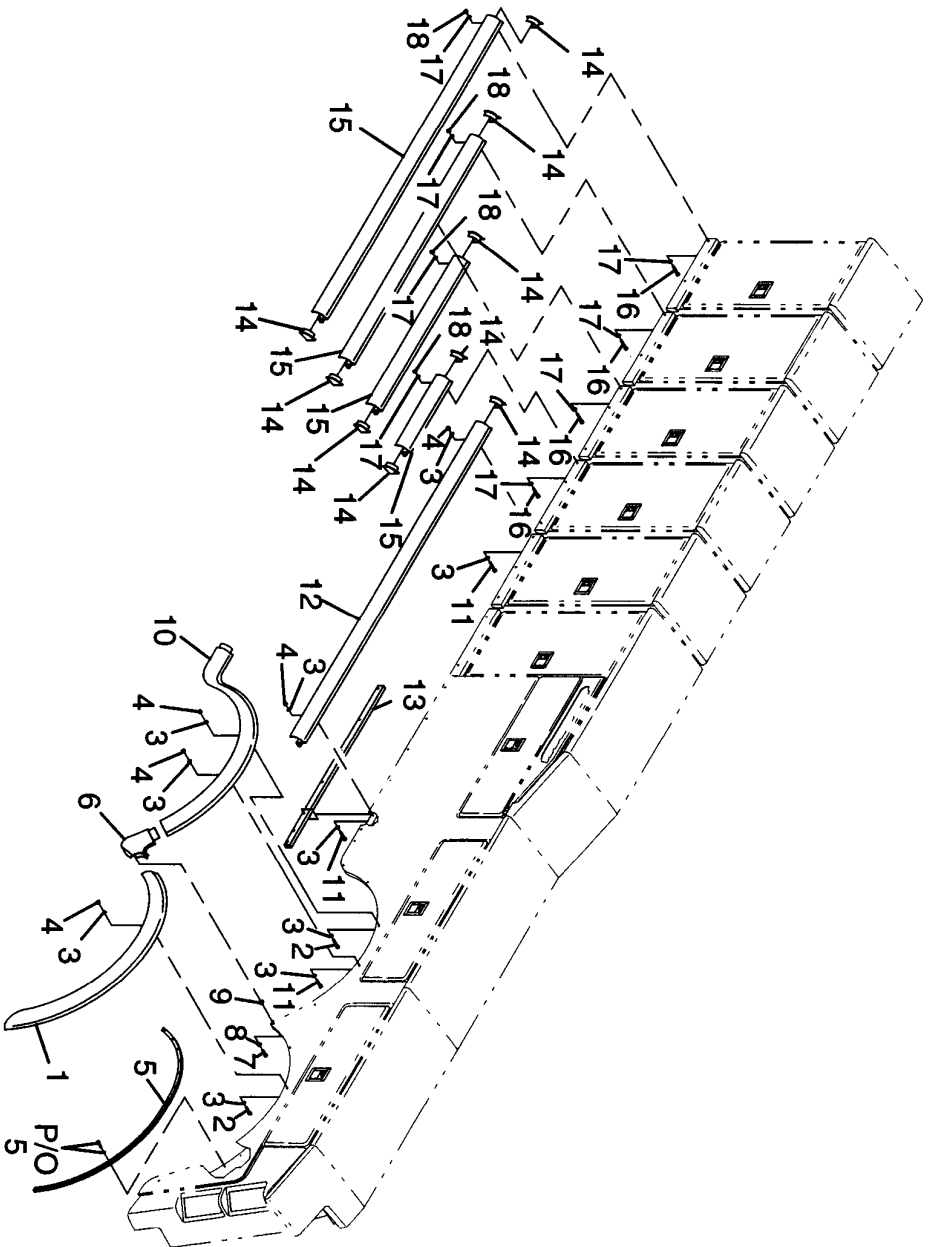


C-30

Rev. _____

Date _____

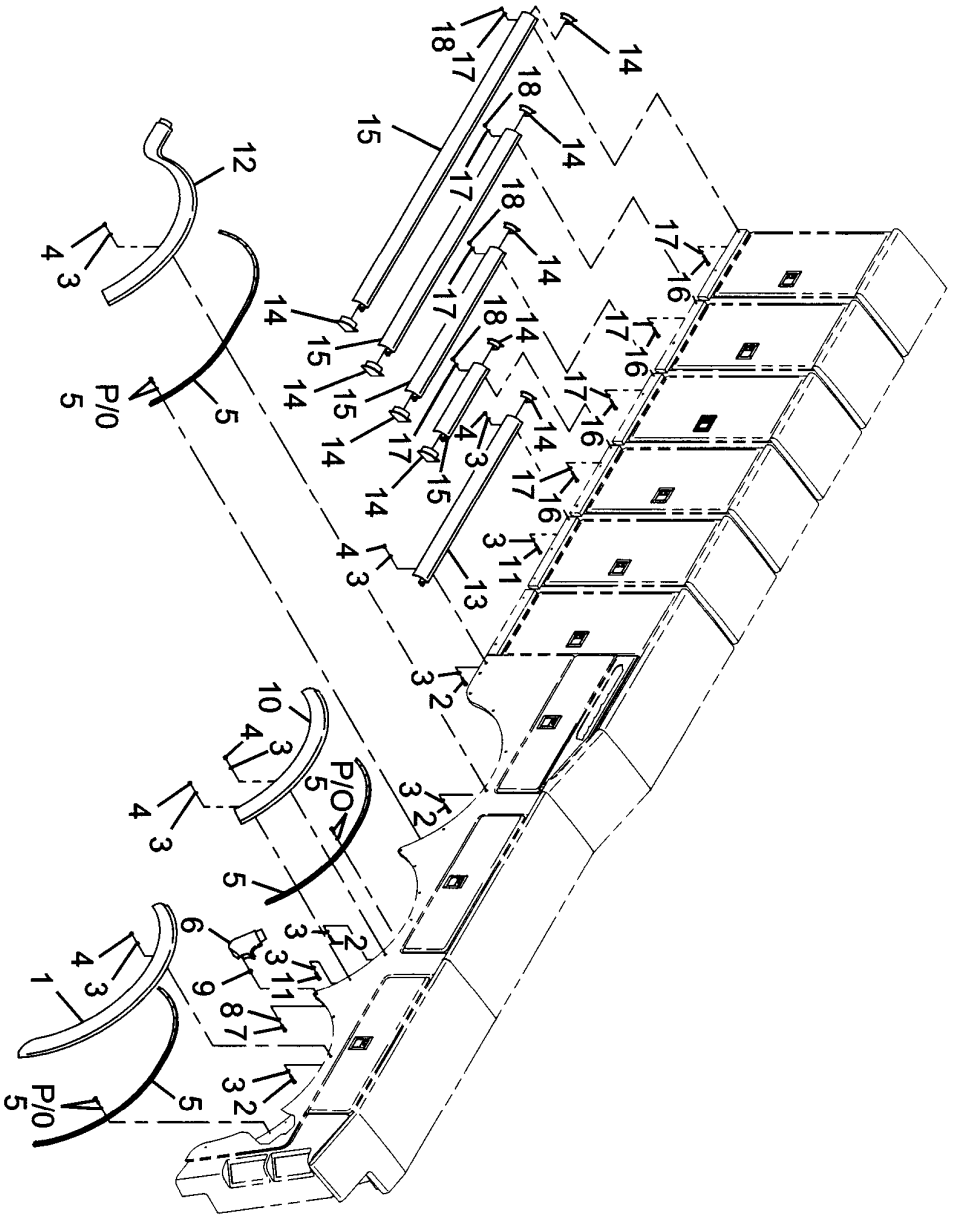
146" BODY FLARE INSTALLATION TANDEM AXLE



C-31

Rev. _____
Date _____

146" BODY FLARE INSTALLATION TRIPLE AXLE



C-32

Rev. _____
Date _____

PARTS LIST — 146" BODY FLARE INSTALLATION TRIPLE AXLE

Ref. No.	Part No.	Description	Qty.
1	441500019	52" Wheelwell Flare, LH	1
	441500017	52" Wheelwell Flare, RH	1
	441500030	58.5" Wheelwell Flare, LH	1
	441500028	58.5" Wheelwell Flare, RH	1
2	7111141050	Capscrew	26
3	7950140151	Flatwasher	76
4	7660142601	Locknut (52" Wheelwell Flare)	38
		Locknut (58.5" Wheelwell Flare)	40
5	7002000187	Rubber Fender Flares	3 pr
6	7415000010	52" Flare Junction Panel	4
	7415000011	58.5" Flare Junction Panel	4
7	7790142051	Hex Hd Screw	4
8	7949000022	Fender Washer	4
9	4679000148	Isolator Pad	4
10	4415000043	52" Wheelwell Flare	2
	4415000044	58.5" Wheelwell Flare	2
11	7115141850	Capscrew (52" Wheelwell Flare)	12
		Capscrew (58.5" Wheelwell Flare)	14
12	4415000018	52" Wheelwell Flare, LH	1
	4415000016	52" Wheelwell Flare, RH	1
	4415000029	58.5" Wheelwell Flare, LH	1
	4415000027	58.5" Wheelwell Flare, RH	1
13	4415000040	52" Wheelwell Body Flare	2
	4415000042	58.5" Wheelwell Body Flare	2
14	7415000014	Cap, LH	3
	7415000013	Cap, RH	3
15	4415000045	1 Toolbox Flare	2
	4415000046	2 Toolbox Flare	2
	4415000015	3 Toolbox Flare	2
	4415000021	4 Toolbox Flare	2
16	7115141850	Capscrew	*
17	7950140151	Flatwasher	*
18	7660142601	Locknut	*

* Quantity varies according to body length.



C-33

Rev. _____

Date _____

PARTS LIST — TUNNEL TOOLBOX - 24

Ref. No.	Part No.	Description	Qty.
1	7595000005	Rotary Latch	2
2	7796000038	Gasket	2
3	7790101276	Pan Head Screw	8
4	7660102601	Locknut	8
5	4686000072	Door Panel LH	1
6	7178000022	Bracket	2
7	7114100418	Capscrew	6
8	7114140418	Capscrew	12
9	7950140500	Lockwasher	12
10	4812000052	Shim	10
11	7555000002	Hinges	4
12	7114140818	Capscrew	8
13	7950140161	Flatwasher	20
14	7660142601	Locknut	12
15	4679000116	Rubber Pad	1
16	7686000008	Top Cap Panel	2
17	4679000120	Rubber Pad	8
18	7790141651	Hex Head Screw	14
19	4178000229	Bracket	4
20	7660182301	Locknut	20
21	7950180153	Flatwasher	16
22	7115181050	Capscrew	16
23	4686000073	Door Panel RH	1
24	4632000012	Seal	2
26	3274000011	Clamp Weldment	4
27	7950180252	Flatwasher	4
28	3503740030	Toolbox Body Assembly	1
29	7115182050	Capscrew	4
30	3911000033	Tube Weldment	1
31	7115202850	Capscrew	4
32	7950200161	Flatwasher	4
33	7949000020	Washer	4
34	7636000008	Mount	4
35	7949000020	Washer	4
36	7660200001	Hex Nut	4
37	8632000008	Rubber Seal	12 ft.
38	7796000002	Seal	12 ft.
39	4811000135	Alum Sheet	2
40	7115140850	Hex Head Capscrew	4
41	7686000019	Filler Strip Panel	2
42	4679000115	Rubber Pad	2
43	4178000240	Bracket	2
44	7115150650	Hex Head Capscrew	4
45	7660152601	Locknut	6
46	7843000020	Gas Spring	2
47	7865000001	Ball Stud	2
48	4062000174	Bar	2
49	4178000222	Bracket	2
50	7585000004	Latch Striker	2
51	7661000021	Locknut	2

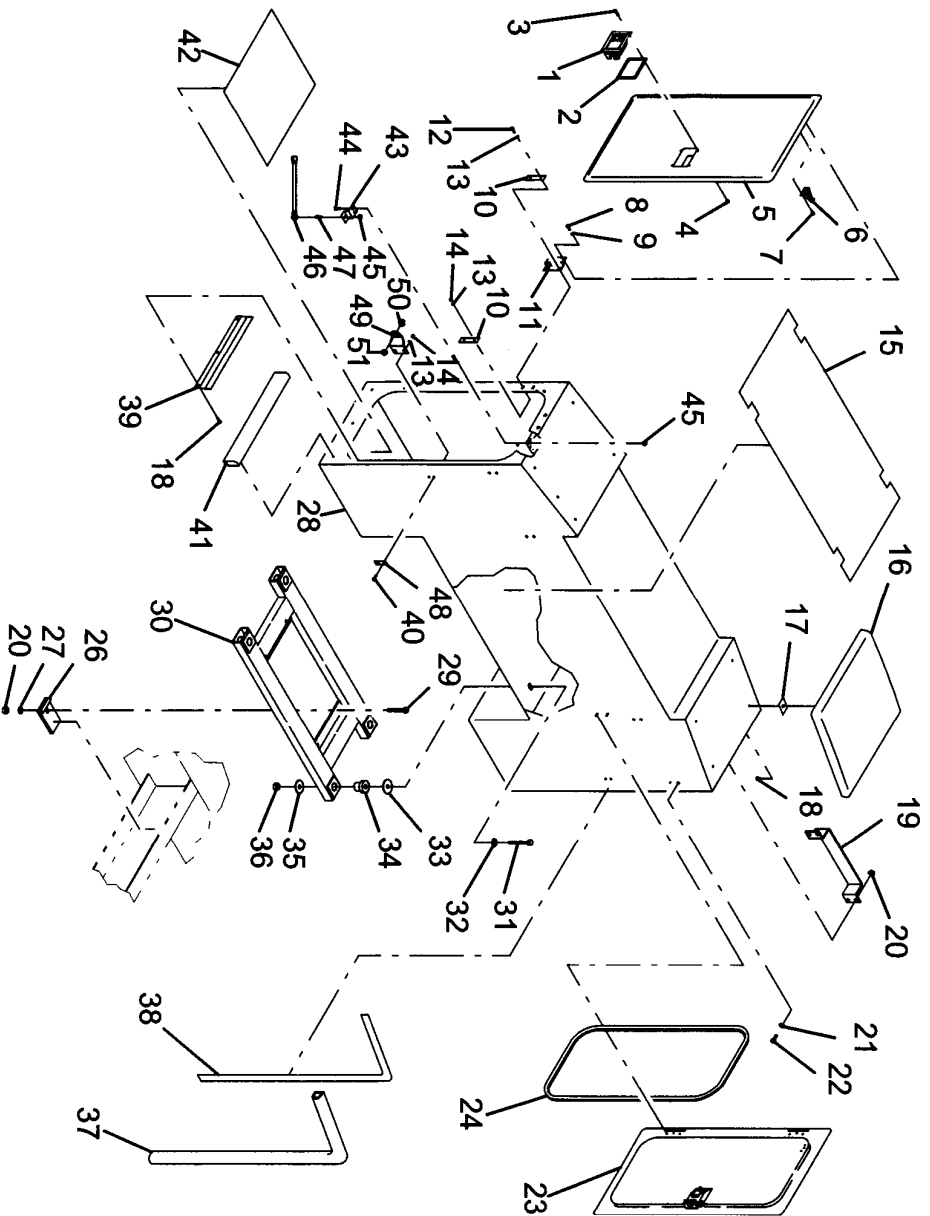


C-34

Rev. _____

Date _____

TUNNEL TOOLBOX - 24



C-35

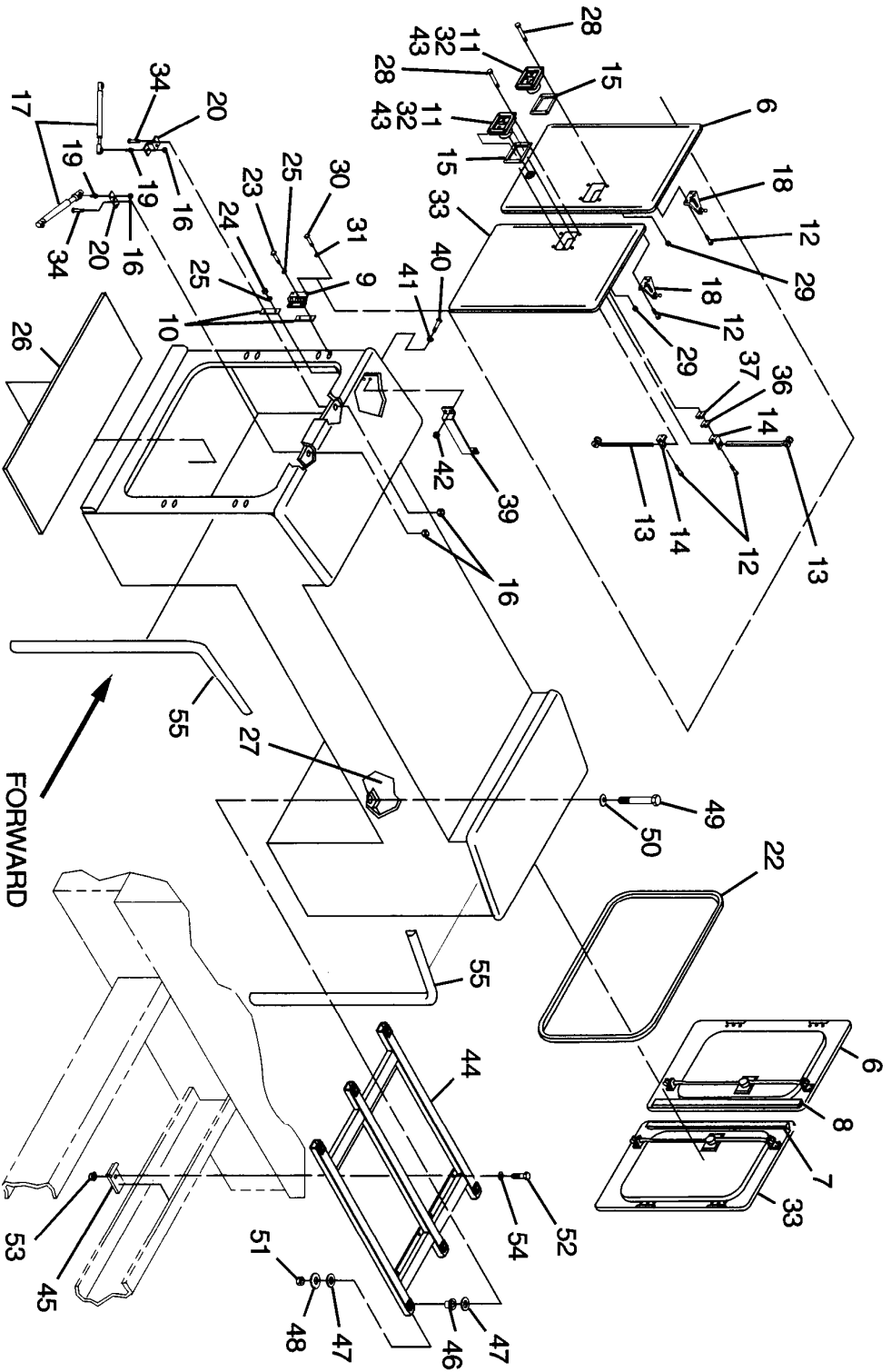
Rev. _____
Date _____

PARTS LIST – TUNNEL TOOLBOX - 49”

Ref. No.	Part No.	Description	Qty.	Ref. No.	Part No.	Description	Qty.
1	3502740106	Toolbox Body Assembly	1	29	7660102601	Nut	16
2	7686000050	Toolbox Cap	2	30	7114140418	Cap screw	24
3	7686000057	Filler Strip	2	31	7950140500	Lockwasher	24
4	4679000120	Rubber Pad	12	32	7831000040	Spacer	8
5	7790141651	Hex Head Screw	20	33	4686000134	Door Panel, RH	2
6	4686000133	Door Panel, LH	2	34	7115150650	Hex Head Cap screw	8
7	4632000025	Seal Door Vertical	2	35	4062000368	Bar	4
8	4811000355	Alum Sheet	2	36	4811000336	Alum Sheet	8
9	7555000002	Hinges	8	37	4811000337	Alum Sheet	8
10	4812000052	Shim	16	38	7660140001	Nut	12
11	7585000011	Latch	4	39	4178000229	Bracket	4
12	7114100418	Cap screw	28	40	7115181050	Hex Head Cap screw	16
13	7585000010	Latch	8	41	7950180153	Flatwasher	16
14	4178000337	Bracket	8	42	7660182301	Locknut	16
15	7796000031	Gasket	4	43	7690000810	Cotter Pin	8
16	7660152601	Locknut	12	44	3911000053	Tube Weld	1
17	7843000020	Gas Spring	4	45	3274000011	Toolbox Clamp Weldment	6
18	7178000023	Ball Stud Bracket	4	46	7636000008	Center Bonded Mount	6
19	7865000001	Thread Ball Stud	4	47	7949000019	Snub Head Washer	24
20	4178000240	Bracket	4	48	7949000020	Snub Tail Washer	6
21	4811000335	Alum Sheet	4	49	7115202850	Hex Head Cap screw	6
22	4632000024	Seal Door	2	50	7950200161	Flatwasher	6
23	7114141018	Cap screw	28	51	7660200001	Nut	6
24	7660142601	Locknut	16	52	7115182050	Hex Head Cap screw	6
25	7950140161	Flatwasher	56	53	7660182301	Locknut	6
26	4679000181	Pad	2	54	7950180252	Flatwasher	6
27	4679000188	Rubber Pad	2	55	8632000011	Seal	12 ft.
28	7114100818	Cap screw	16				



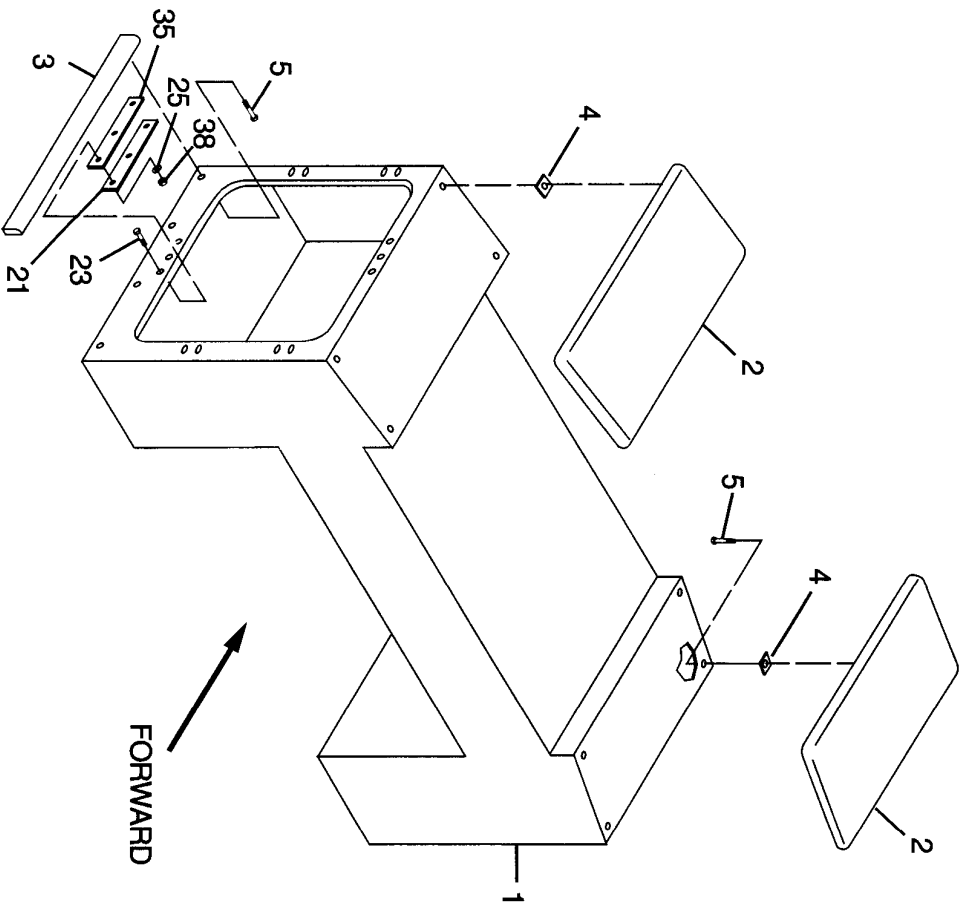
TUNNEL TOOLBOX - 49"



C-37

Rev. _____
Date _____

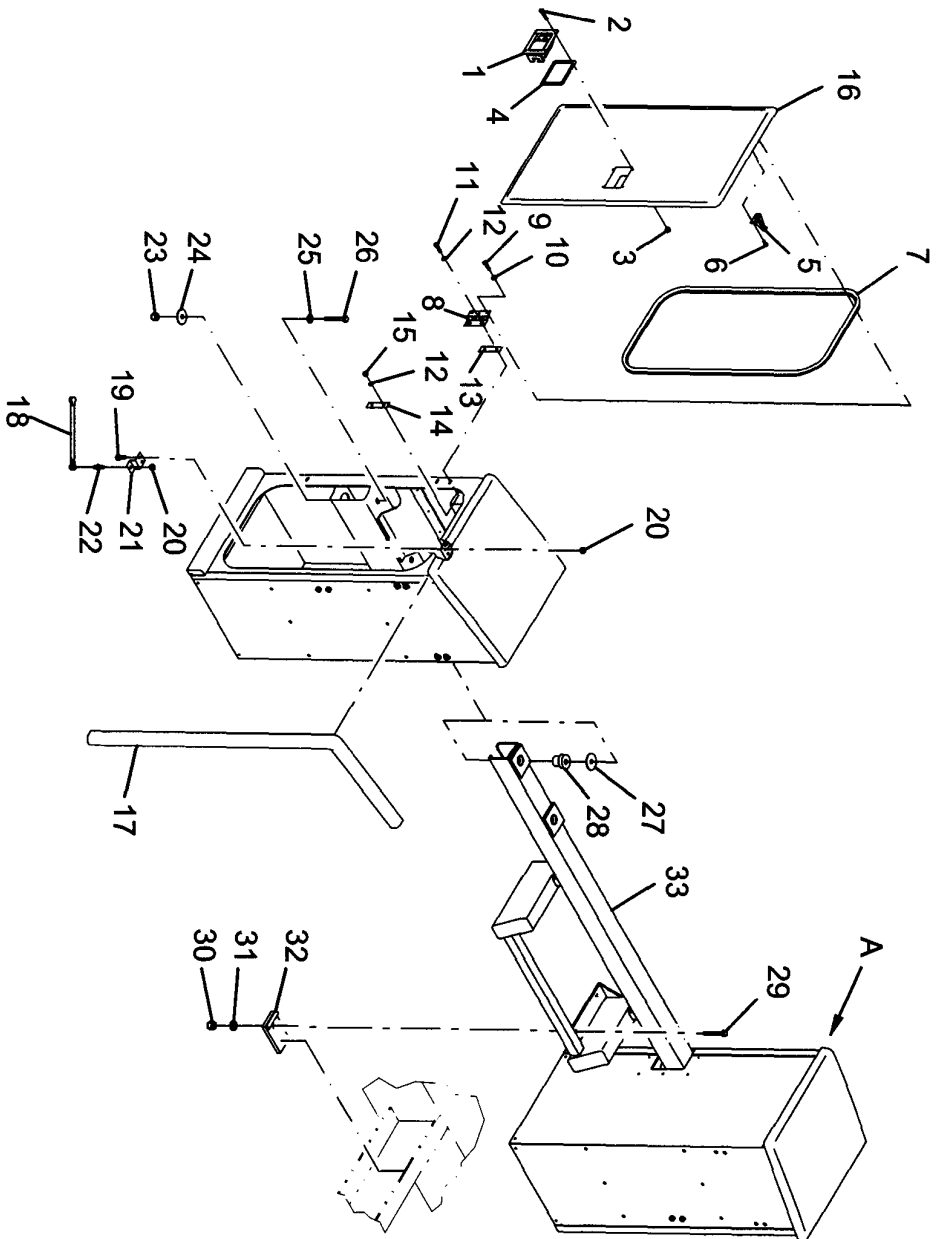
TUNNEL TOOLBOX - 49"



C-38

Rev. _____
Date _____

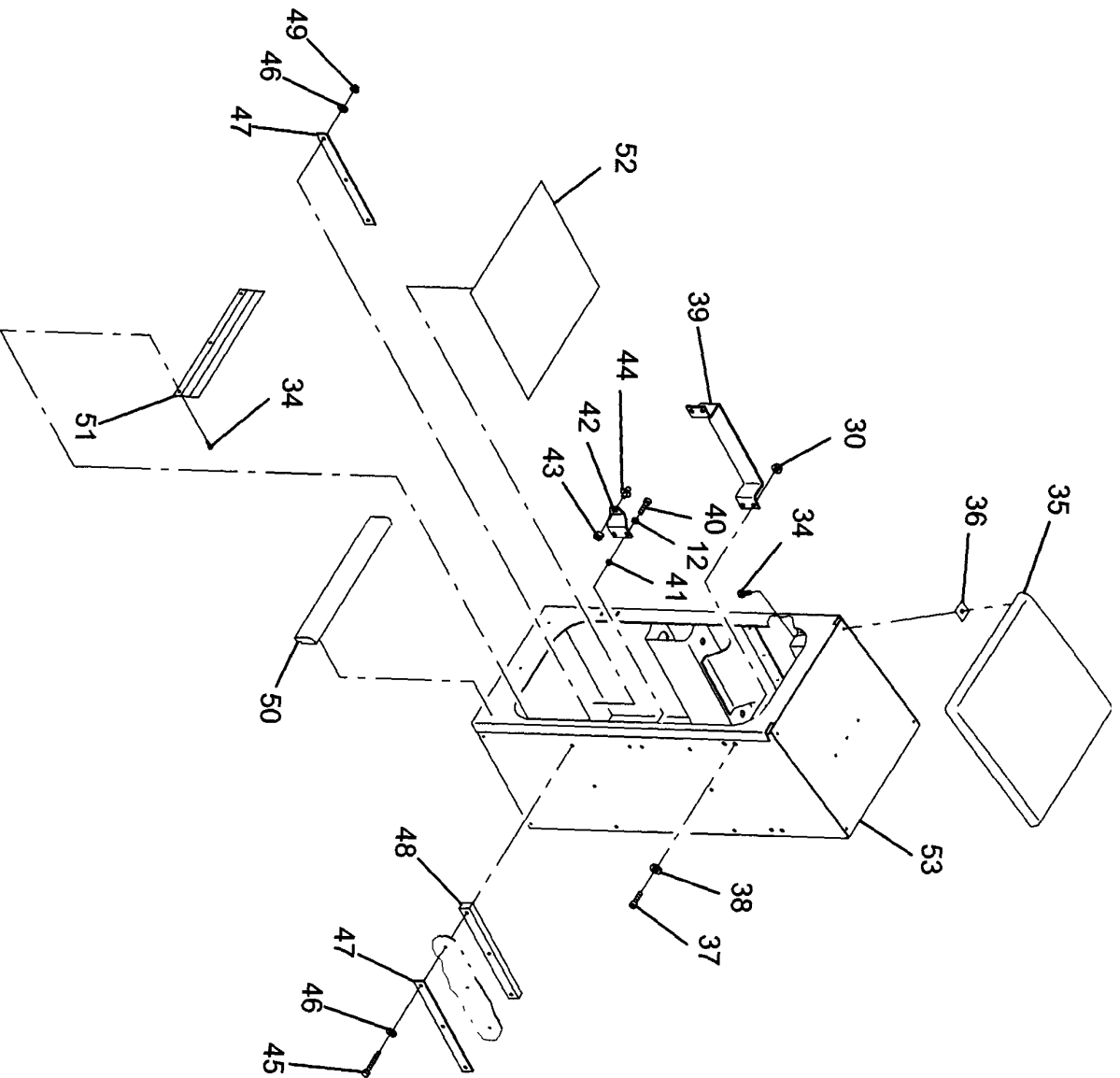
24" STAND-ALONE TOOLBOX - DOOR AND HARDWARE ASSEMBLY



C40

Rev. _____
Date _____

24" STAND-ALONE TOOLBOX - DOOR AND HARDWARE ASSEMBLY

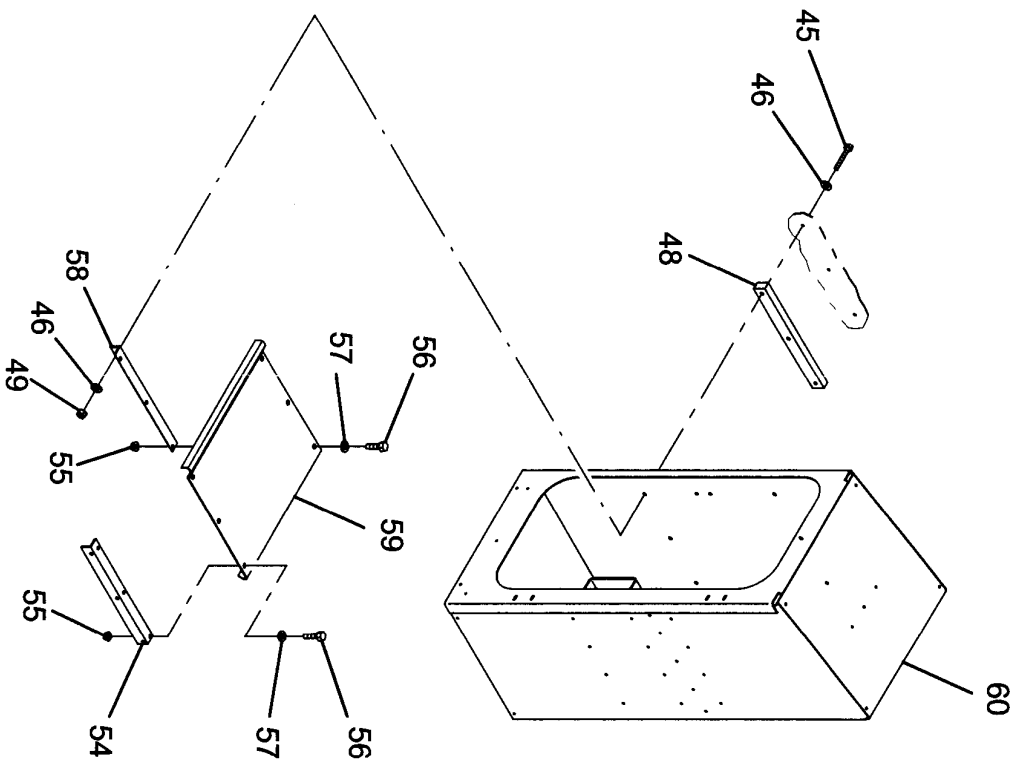


C-41



Rev. _____
Date _____

24" STAND-ALONE TOOLBOX - DOOR AND HARDWARE ASSEMBLY



DETAIL A



C42

Rev. _____
Date _____

PARTS LIST — 24" STAND-ALONE TOOLBOX - DOOR AND HARDWARE ASSEMBLY

Ref. No.	Part No.	Description	Qty.	Ref. No.	Part No.	Description	Qty.
1	7595000005	Latch Paddle	2	34	7790141651	Screw	14
2	7114100818	Capcrew	8		7790142051	Screw (use with 4679000121)	14
3	7660102601	Nut	8	35	7686000008	Toolbox Cap	2
4	7796000038	Gasket	2	36	4679000120	Rubber Pad	8
5	7178000023	Bracket Ball Stud	2		4679000121	Rubber Pad (use with 7790142051)	8
6	7114100418	Capcrew	6	37	7115181050	Capcrew	8
7	4632000012	Seal	2	38	7950180153	Flatwasher	8
8	7555000002	Hinge	4	39	4178000270	Bracket	2
9	7114140418	Capcrew	12	40	7115140850	Capcrew	4
10	7949000025	Lockwasher	12	41	7413000002	Nutsert	4
11	7114140818	Capcrew	8	42	4178000222	Bracket	2
12	7950140161	Flatwasher	20	43	7661000021	Locknut	2
13	4812000052	Shim	4	44	7585000004	Latch Striker	2
14	4062000173	Bar	4	45	7115162250	Capcrew	12
15	7660142601	Locknut	8	46	7950160161	Flatwasher	24
16	4684000072	Panel Door	2	47	4062000243	Backwing Bar	8
17	8632000011	Rubber	2	48	4679000136	Pad	4
18	7843000020	Spring Gas	2	49	7660160001	Nut	12
19	7115150650	Capcrew	4	50	7686000019	Filler Strip	2
20	7660152601	Locknut	6	51	4811000135	Sheet	2
21	4178000240	Bracket	2	52	4679000115	Pad Rubber	2
22	7865000001	Ball Stud	2	53	3502740071	Box Bondment, LH	2
23	7660220001	Nut	4	54	4017000727	Angle, LH	2
24	7949000018	Washer	4	55	7660160001	Nut	18
25	7950220161	Flatwasher	4	56	7115160850	Capcrew	18
26	7115223250	Capcrew	4	57	7950160161	Flatwasher	18
27	7949000017*	Washer	8	58	4017000714	Angle, RH	2
28	7636000007	Mount	4	59	4811000217	Sheet	2
29	7115182050	Capcrew	4	60	3502740072	Stand Alone Box Bondment, RH	1
30	7660182301	Locknut	12				
31	7950180252	Flatwasher	4				
32	3274000011	Clamp Weldment	4				
33	3868000157	Subframe Weldment	1				

* 4 Required, install additional washers to set height of toolbox when misalignment occurs.



PARTS LIST - STAND-ALONE TOOLBOX - 49"

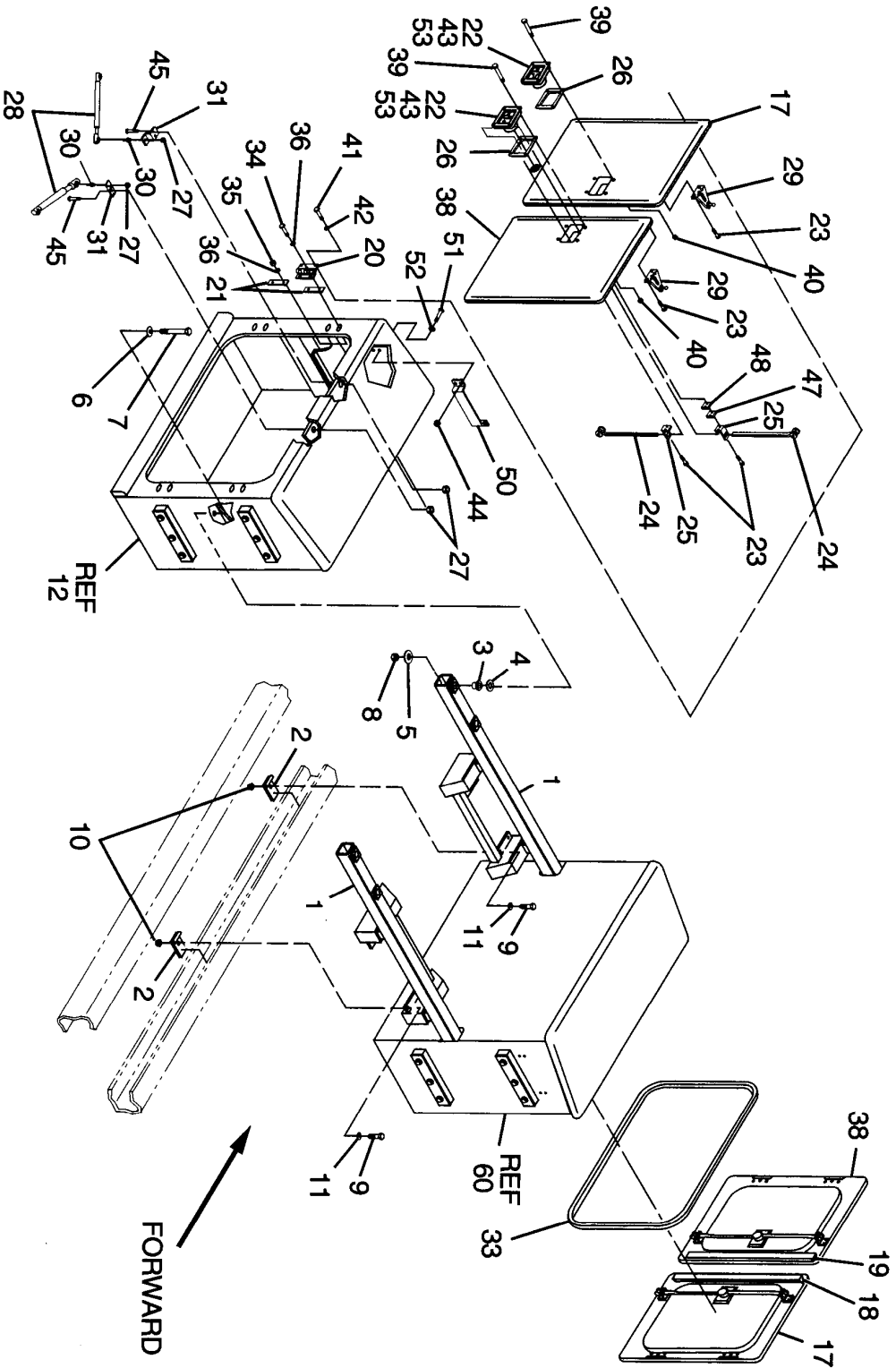
Ref. No.	Part No.	Description	Qty.	Ref. No.	Part No.	Description	Qty.
1	3868000157	Subframe Weld	4	31	4178000240	Bracket	4
2	3274000011	Toolbox Clamp Weldment	8	32	4811000335	Alum Sheet	4
3	7636000007	Mount	8	33	4632000024	Seal	2
4	7949000017	Washer Head	8	34	7114141018	Capcrew	28
5	7949000018	Washer Tail	16	35	7660142601	Locknut	16
6	7950220161	Flatwasher	8	36	7950140161	Flatwasher	56
7	7115223250	Hex Head Capcrew	8	37	4679000181	Pad	2
8	7660220001	Nut	8	38	4686000134	Door Panel, RH	2
9	7115182050	Hex Head Capcrew	8	39	7114100818	Capcrew	16
10	7660182301	Locknut	8	40	7660102601	Nut	16
11	7950180252	Flatwasher	8	41	7114140418	Capcrew	24
12	3502740111	Toolbox Assy LH	1	42	7950140500	Lockwasher	24
13	7686000050	Panel Composite - Toolbox Cap	1	43	7831000040	Spacer	8
14	7686000057	Panel Composite - Filler Strip	2	44	7660182301	Locknut	16
15	4679000120	Rubber Pad	12	45	7115150650	Hex Head Capcrew	8
16	7790141651	Hex Head Screw	20	46	4062000368	Bar	4
17	4686000133	Door Panel, LH	2	47	4811000336	Alum Sheet .06 Thk	8
18	4632000025	Seal	2	48	4811000337	Alum Sheet .13 Thk	8
19	4811000355	Alum Sheet	2	49	7660140001	Nut	12
20	7555000002	Hinges	8	50	4178000341	Bracket	4
21	4812000052	Shim	16	51	7115181050	Hex Head Capcrew	16
22	7585000011	Latch	4	52	7950180153	Flatwasher	16
23	7114100418	Capcrew	28	53	7690000810	Cotter Pin	4
24	7585000013	Latch Roller	8	54	4679000136	Wear Pad	4
25	4178000337	Bracket	8	55	8632000011	Rubber Seal	12ft.
26	7796000031	Gasket	4	56	7115162250	Hex Head Capcrew	12
27	7660152601	Locknut	12	57	7950160161	Flatwasher	24
28	7843000020	Gas Spring	4	58	7660160001	Nut	12
29	7178000023	Ball Stud Bracket	4	59	4062000243	Backing Bar	8
30	7865000001	Thread Ball Stud	4	60	3502740116	Toolbox Assy RH	1



C44

Rev. _____
Date _____

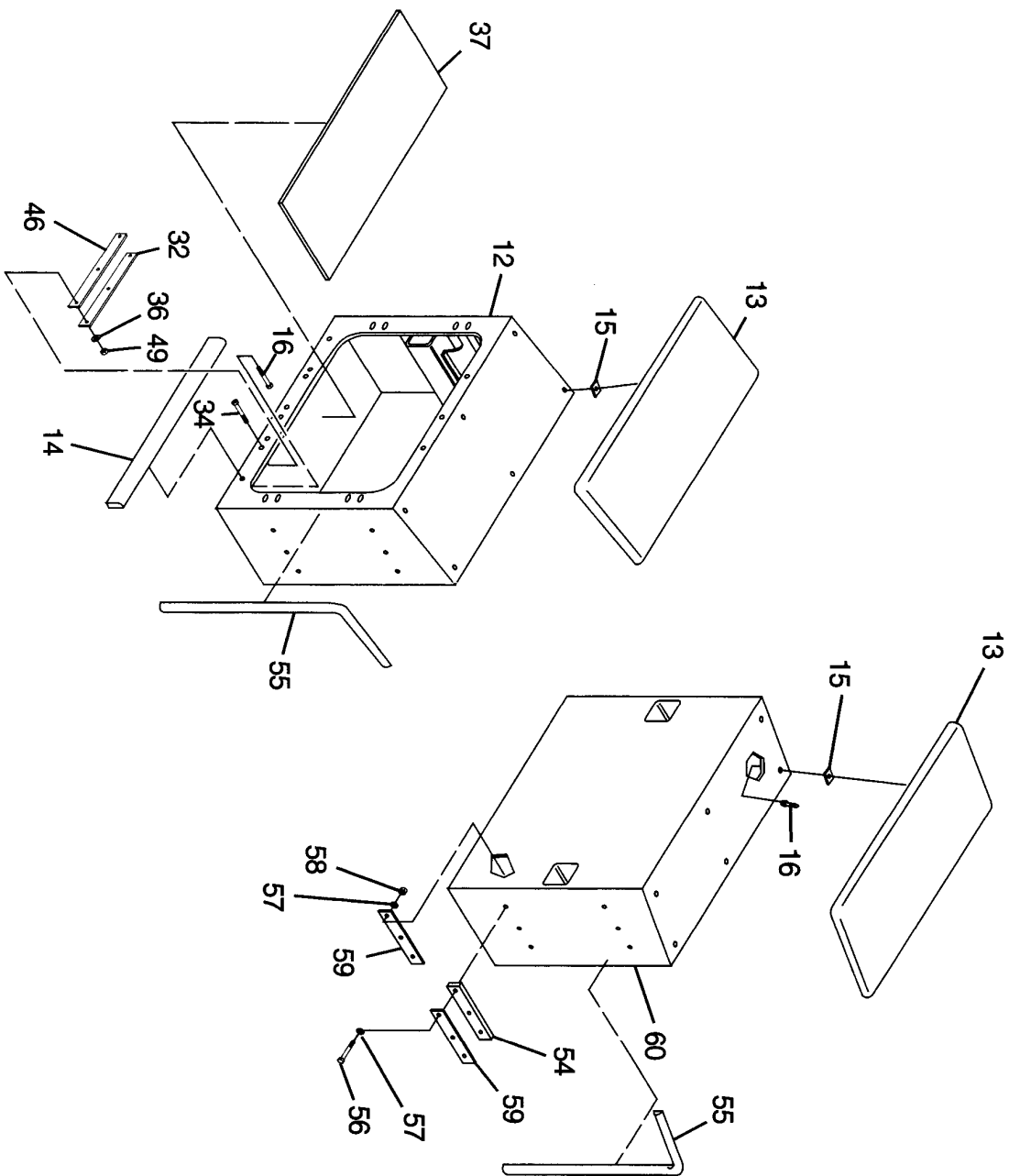
STAND-ALONE TOOLBOX - 49"



C-45

Rev. _____
Date _____

STAND-ALONE TOOLBOX - 49"



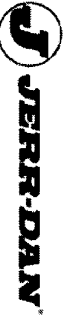
C-46

Rev. _____
Date _____

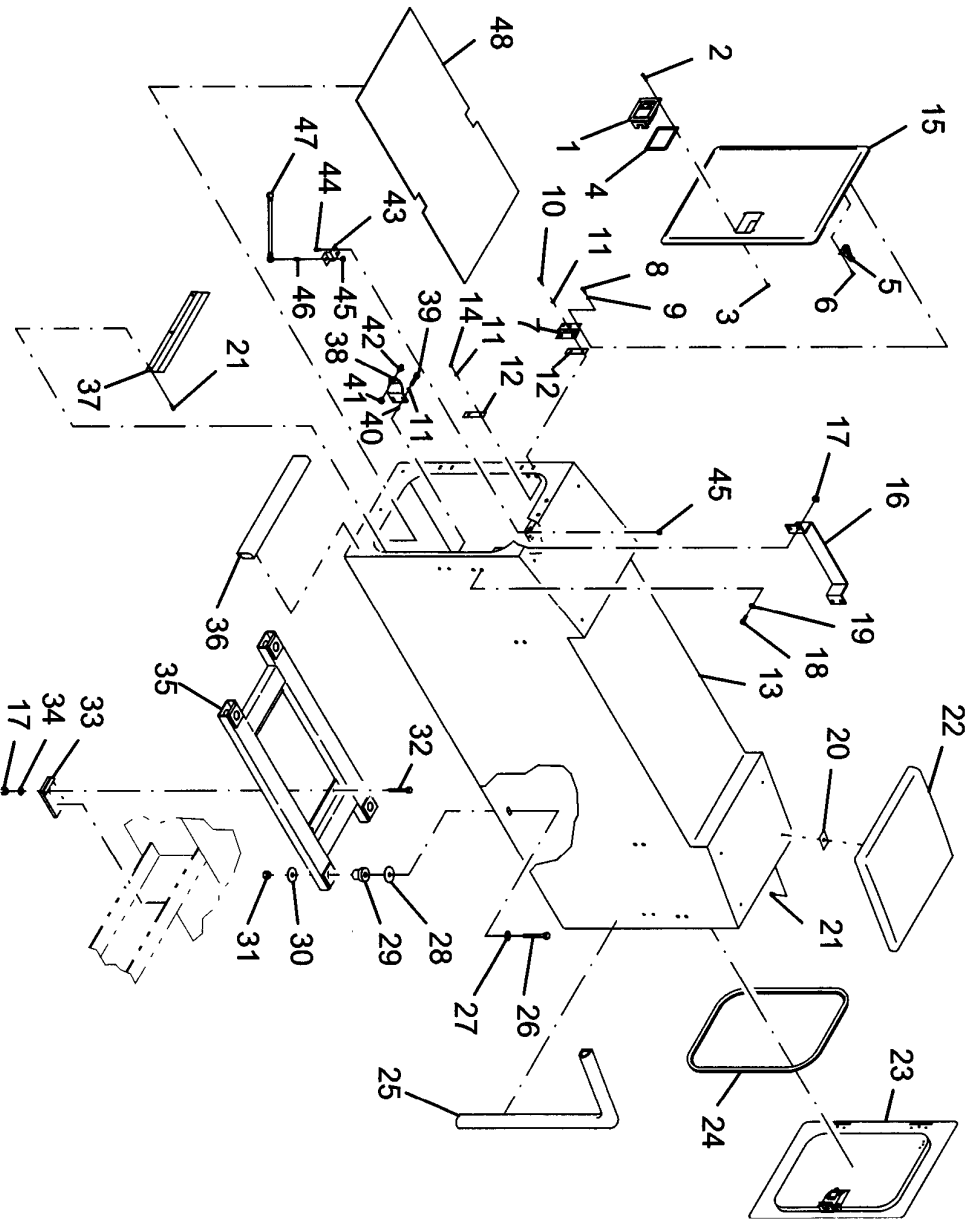
PARTS LIST — 3/4 HEIGHT TUNNEL TOOLBOX - 24

Ref. No.	Part No.	Description	Qty.	Ref. No.	Part No.	Description	Qty.
1	7595000005	Latch Paddle	2	26	7115202850	Capcrew	4
2	7114100818	Capcrew	8	27	7950200161	Flatwasher	4
3	7660102601	Nut	8	28	7949000019*	Washer	16
4	7796000038	Gasket	2	29	7636000008	Mount	4
5	7178000023	Bracket Ball Stud	2	30	7949000020*	Washer	8
6	7114100418	Capcrew	6	31	7660200001	Nut	4
7	7555000002	Hinge	4	32	7115182050	Capcrew	4
8	7114140418	Capcrew	12	33	3274000011	Clamp Weldment	4
9	7950140500	Lockwasher	12	34	7950180252	Flatwasher	4
10	7114140818	Capcrew	8	35	3911000033	Tube Weldment	1
11	7950140161	Flatwasher	8	36	7686000019	Filler Strip	2
12	4812000052	Shim	20	37	4811000135	Sheet	2
13	3503740015	Box Bondment	8	38	4178000222	Bracket	2
14	7660142601	Locknut	1	39	7115140850	Capcrew	4
15	4686000085	Panel Door, LH	8	40	7413000002	Nutsert	4
16	4178000229	Bracket	1	41	7661000021	Locknut	4
17	7660182301	Locknut	4	42	7585000004	Locknut	2
18	7115181050	Capcrew	20	43	4178000250	Latch Striker	2
19	7950180153	Flatwasher	16	44	7115150650	Bracket	2
20	7686000008	Toolbox Cap	16	45	7660152601	Capcrew	4
21	7790141651	Screw	2	46	7865000001	Locknut	6
22	7790142051	Screw (use with 4679000121)	14	47	7843000020	Ball Stud	2
23	4679000120	Rubber Pad	8	48	4679000133	Spring Gas Pad Rubber	2
24	4686500086	Rubber Pad (use with 7790142051)	1				
25	4632000014	Panel Door, RH	1				
	8632000011	Seal	2				
		Rubber	2				

* 4 Required, install additional washers to set height of toolbox when misalignment occurs.



3/4 HEIGHT TUNNEL TOOLBOX - 24



C-49

Rev. _____
Date _____

PARTS LIST — 3/4 HEIGHT STAND-ALONE TOOLBOX - 24

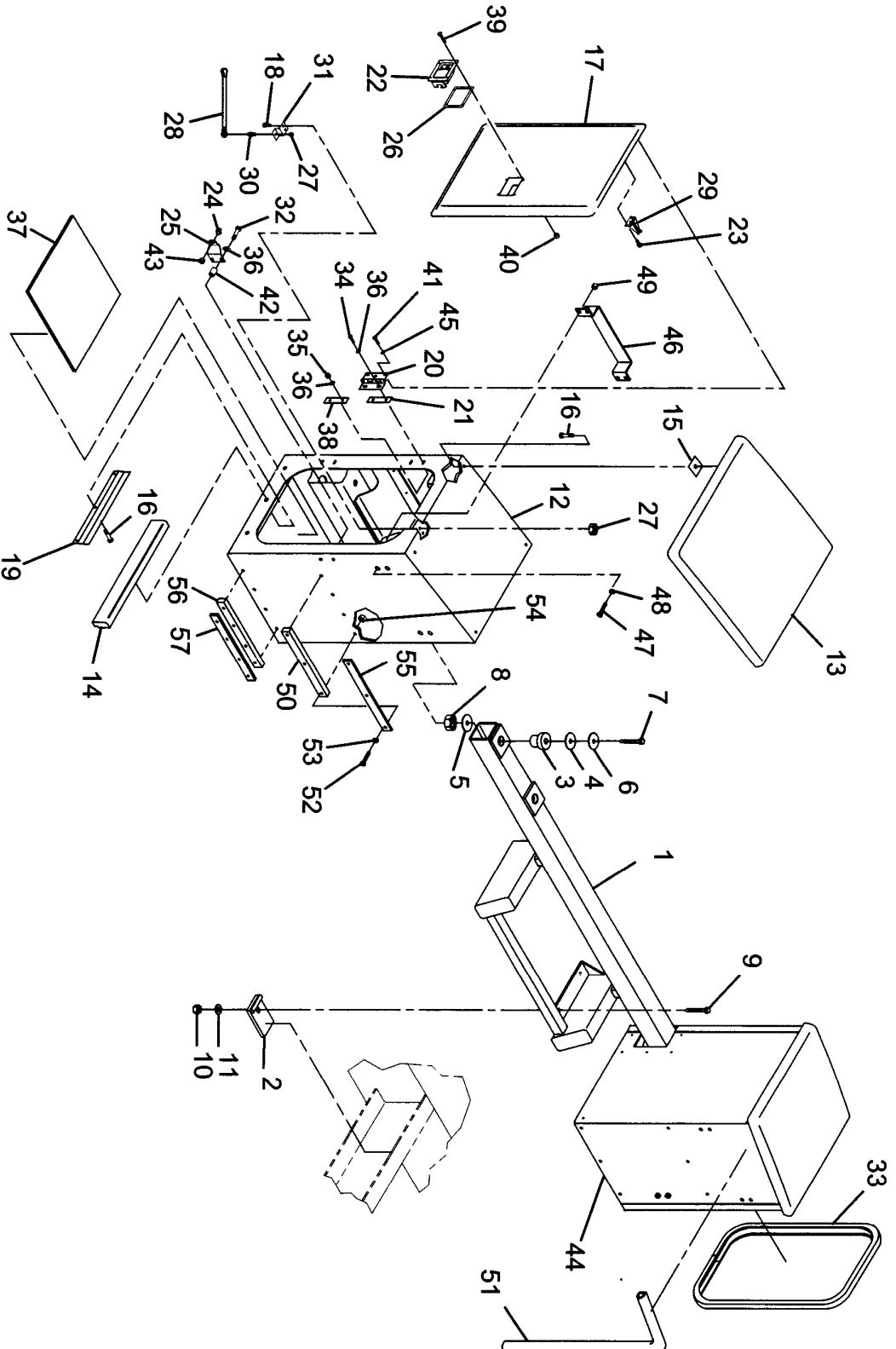
Ref. No.	Part No.	Description	Qty.	Ref. No.	Part No.	Description	Qty.
1	3868000157	Subframe Weld	1	31	4178000240	Bracket	2
2	3274000011	Clamp Weldment	4	32	7115140850	Hex Head Capscrew	4
3	7636000007	Mount	4	33	4632000012	Seal	2
4	7949000017	Washer Head	8	34	7114140818	Capscrew	8
5	7949000018	Washer Tail	4	35	7660142601	Locknut	8
6	7950220161	Flatwasher	4	36	7950140161	Flatwasher	20
7	7115223250	Hex Head Capscrew	4	37	4679000115	Rubber Pad	2
8	7660220001	Nut	4	38	4062000173	Bar	4
9	7115182050	Hex Head Capscrew	4	39	7114100818	Capscrew	8
10	7660182301	Locknut	4	40	7660102601	Nut	8
11	7950180252	Flatwasher	4	41	7114140418	Capscrew	12
12	3502740096	Bondment LH	1	42	7413000002	Nutsert	4
13	7686000008	Panel Composite - Toolbox Cap	2	43	7661000021	Locknut	2
14	7686000019	Panel Composite - Filler Strip	2	44	3502740103	Bondment RH	1
15	4679000121	Rubber Pad	8	45	7949000025	Lockwasher	12
16	7790142051	Hex Head Screw	14	46	4178000270	Bracket	4
17	4686000072	Panel Door	2	47	7115181050	Hex Head Capscrew	16
18	7115150650	Hex Head Capscrew	4	48	7950180153	Flatwasher	16
19	4811000341	Alum Sheet	4	49	7660182301	Locknut	16
20	7555000002	Hinges	2	50	4679000186	Spacer Pad	2
21	4812000052	Shim	4	51	8632000011	Rubber Seal	10 ft.
22	7595000005	Latch Paddle	2	52	7115162250	Hex Head Capscrew	14
23	7114100418	Capcrew	6	53	7950160161	Flatwasher	28
24	7585000004	Latch Striker	2	54	7660160001	Nut	14
25	4178000222	Bracket	2	55	4062000374	Alum Bar	4
26	7796000038	Gasket	2	56	4679000187	Spacer Pad	2
27	7660152601	Locknut	6	57	4062000375	Alum Bar	2
28	7843000020	Gas Spring	2				
29	7178000023	Ball Stud Bracket	2				
30	7865000001	Thread Ball Stud	2				



C-50

Rev. _____
Date _____

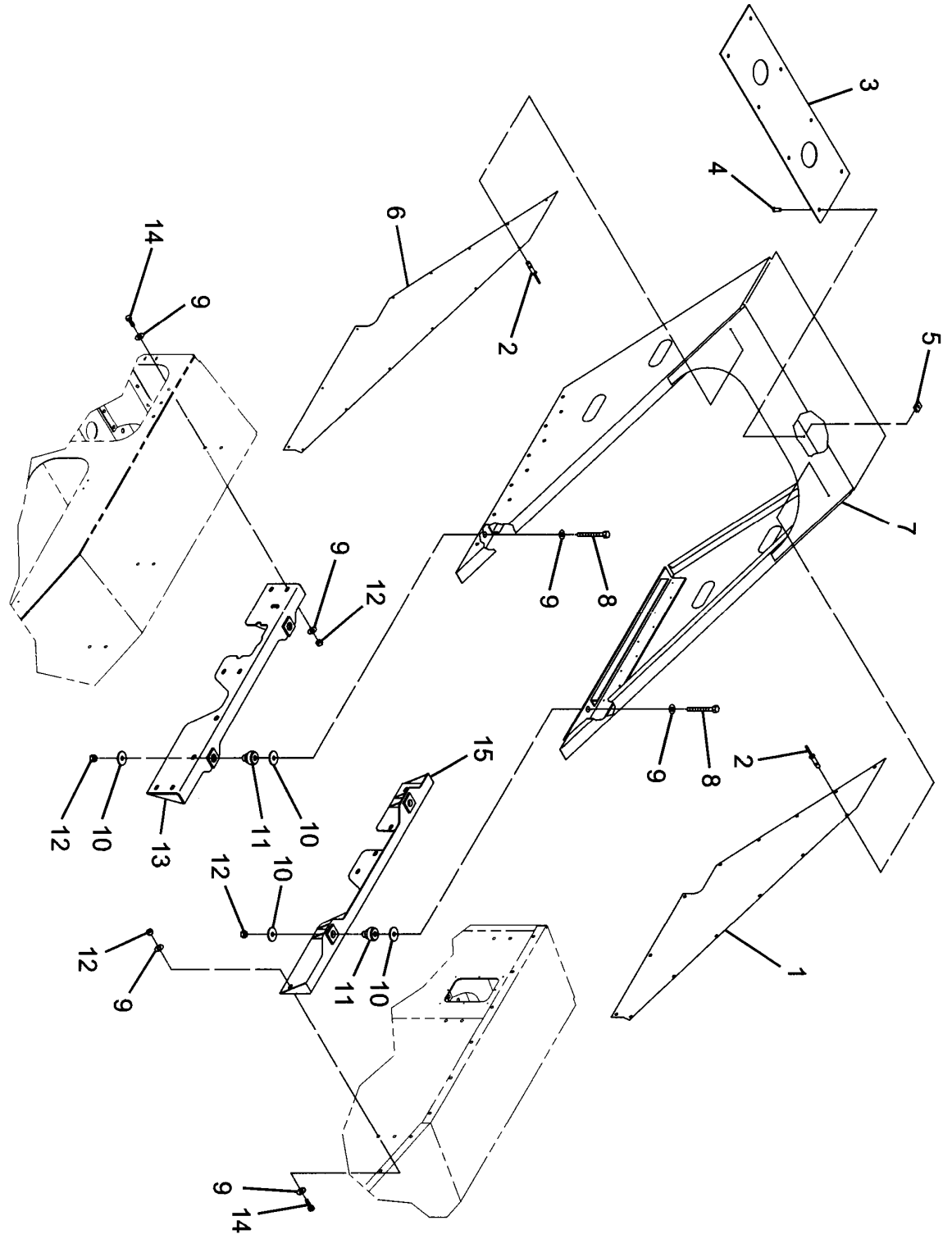
3/4 HEIGHT STAND-ALONE TOOLBOX - 24



C-51

Rev. _____
Date _____

HEADBOARD/LIGHT PYLON



C-52

Rev. _____
Date _____

PARTS LIST — HEADBOARD/LIGHT PYLON

Ref. No.	Part No.	Description	Qty.
1	4707000109	Plate, RH - 39" High Headboard	1
	4707000107	Plate, RH - 29" High Headboard	
2	7759000008	Rivet - 39" High Headboard	28
	7759000008	Rivet - 29" High Headboard	26
3	4707000105	Plate	1
4	7114140518	Capcrew	8
5	7661000019	U-Nut	8
6	4707000108	Plate, LH - 39" High Headboard	1
	4707000106	Plate, LH - 29" High Headboard	
7	3241000079	Headboard Assembly - 39"	1
	3241000077	Headboard Assembly - 29"	
8	7115182850	Capcrew	4
9	7950180161	Flatwasher	24
10	7949000021	Washer	8
11	7636000009	Mount	4
12	7660182601	Locknut	16
13	3178000242	Bracket Weldment, LH	1
14	7115181250	Capcrew	12
15	3178000243	Bracket Weldment, RH	1



PARTS LIST — CONTROLS ASSEMBLY

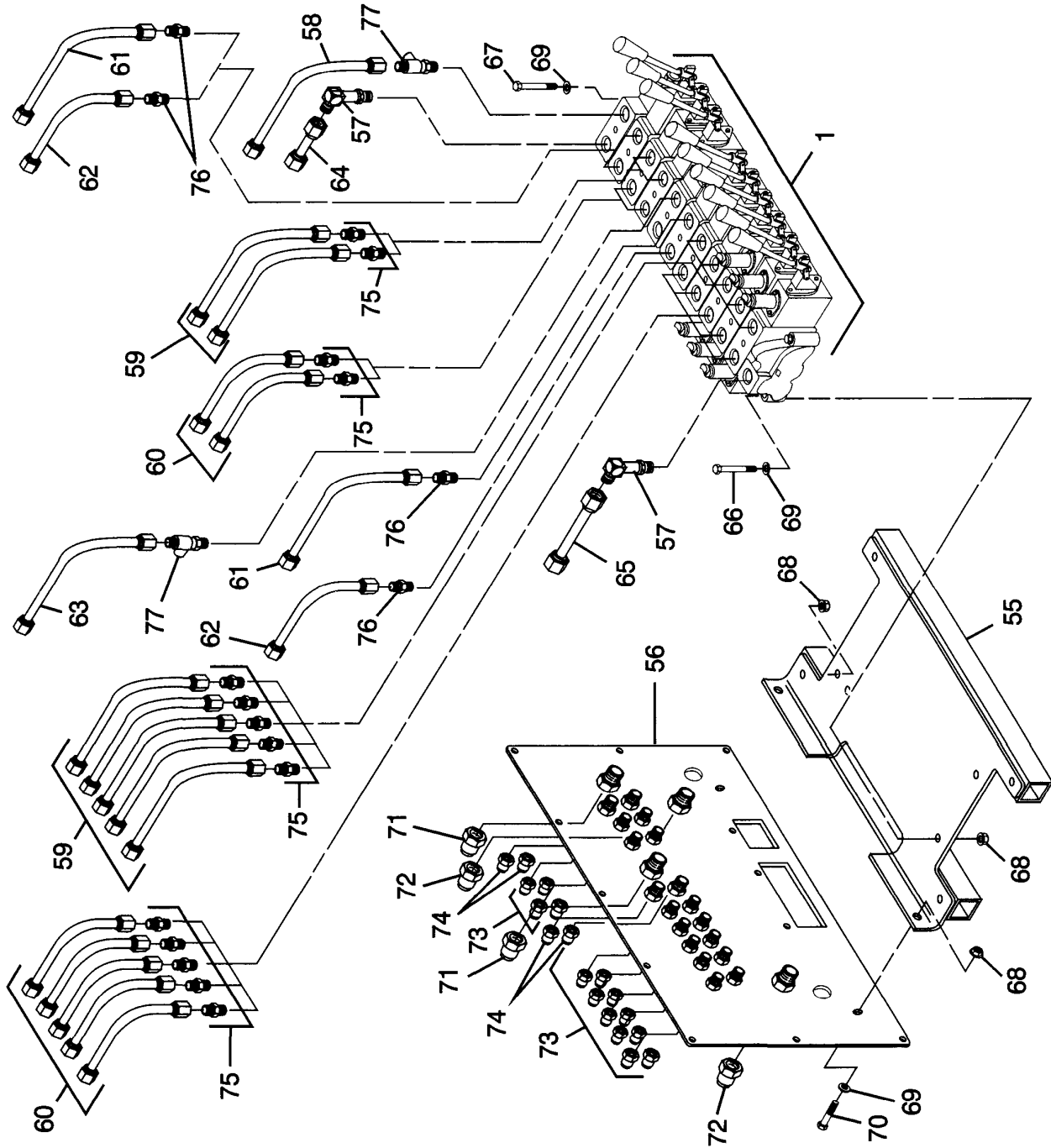
Ref. No.	Part No.	Description	Qty.	Ref. No.	Part No.	Description	Qty.
1	493500096	Control Valve	1	40	7330000199	Decal Authorized Personnel Warning	2
2	7115162850	Hex Head Capscrew	4	41	7330000262	Decal Winch Warning	2
3	7950160161	Flatwasher	40	42	7330000200	Decal Checklist	2
4	7660162601	Locknut	17	43	7330000253	Decal Wire Rope Caution	2
5	4706002745	Plate	1	44	7330000306	Decal LH Controls	1
6	7115161450	Hex Head Capscrew	3	45	7330000302	Decal Upper Rear	1
7	7115161050	Hex Head Capscrew	10	46	7330000304	Decal Lower Rear	1
8	7660160000	Nut	3	47	7330000299	Decal Upper Front	1
9	7115140850	Hex Head Capscrew	7	48	7330000300	Decal Lower Front	1
10	7950140161	Flatwasher	26	49	7330000256	Decal Pressure	1
11	7661000006	Nut	14	50	7330000257	Decal Pressure	1
12	7796000012	Seal	8 ft.	51	7330000245	Decal Front Winch	1
13	3686000016	Panel Weldment	1	52	7330000246	Decal Rear Winch	1
14	7660142601	Locknut	6	53	7330000249	Decal Winch Freespool	2
15	3178000260	Weldment	1	54	7330000184	Decal Throttle	1
16	7790141056	Screw	13	55	3177000042	Weldment	1
17	4806000018	Shaft	1	56	4706002748	Plate	1
18	7754000009	Retaining Ring	2	57	7443000211	Fitting, 90°	2
19	7082000005	Bearing	20	58	7912000092	Tube Assy	1
20	3551000038	Handle	9	59	7912000089	Tube Assy	7
21	7551000002	Knob	9	60	7912000088	Tube Assy	7
22	7248000053	Cable	9	61	7912000087	Tube Assy	2
23	7990000003	End Yoke	9	62	7912000086	Tube Assy	2
24	4309000001	Coupling	3	63	7912000093	Tube Assy	1
25	7690141200	Pin	9	64	7912000090	Tube Assy	1
26	7690000810	Cotter Pin	9	65	7912000091	Tube Assy	1
27	7660140230	Nut	18	66	7115162250	Hex Head Capscrew	2
28	7111140813	Screw	10	67	7115161450	Hex Head Capscrew	1
29	4638000003	Brush	1	68	7660162601	Locknut	5
30	4411000113	Extrusion Brush Holder	1	69	7950160161	Flatwasher	5
31	7115140650	Hex Head Capscrew	3	70	7115161050	Hex Head Capscrew	2
32	4706002746	Plate	1	71	7445121225	Union Bulkhead	2
33	4706002497	Plate	1	72	7445161625	Union Bulkhead	2
34	4706002747	Plate	1	73	7445080825	Union Bulkhead	14
35	4679000119	Rubber Pad	1	74	7445101025	Union Bulkhead	4
36	4679000131	Rubber Pad	1	75	7445081043	Adapter	14
37	4679000143	Rubber Pad	1	76	7445101043	Adapter	4
38	4679000144	Rubber Pad	1	77	7445121248	Fitting, Tee	2
39	4309000002	Cable Coupling	6				



C-54

Rev. _____
Date _____

CONTROLS ASSEMBLY

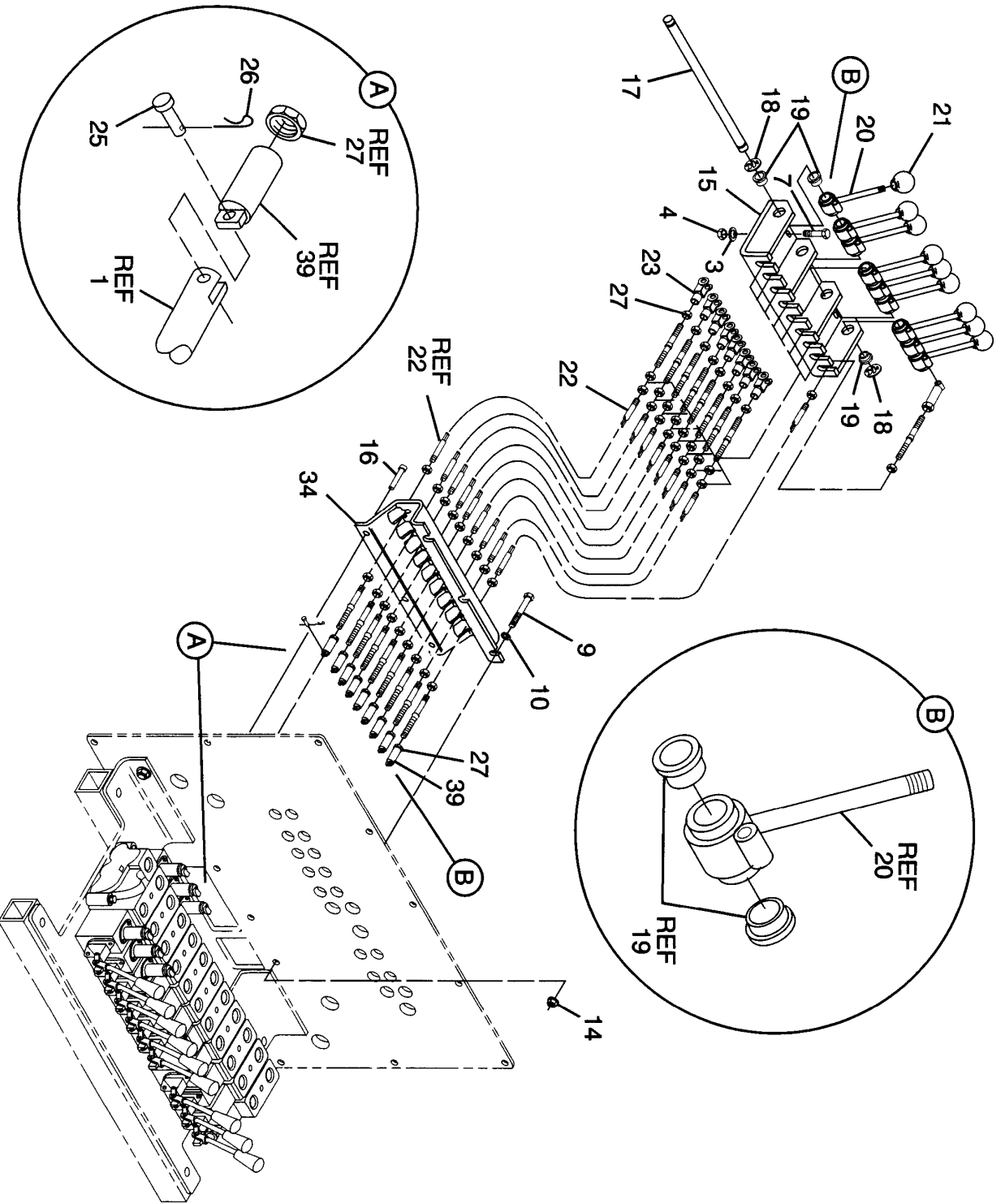


Rev. _____
Date _____

C-55



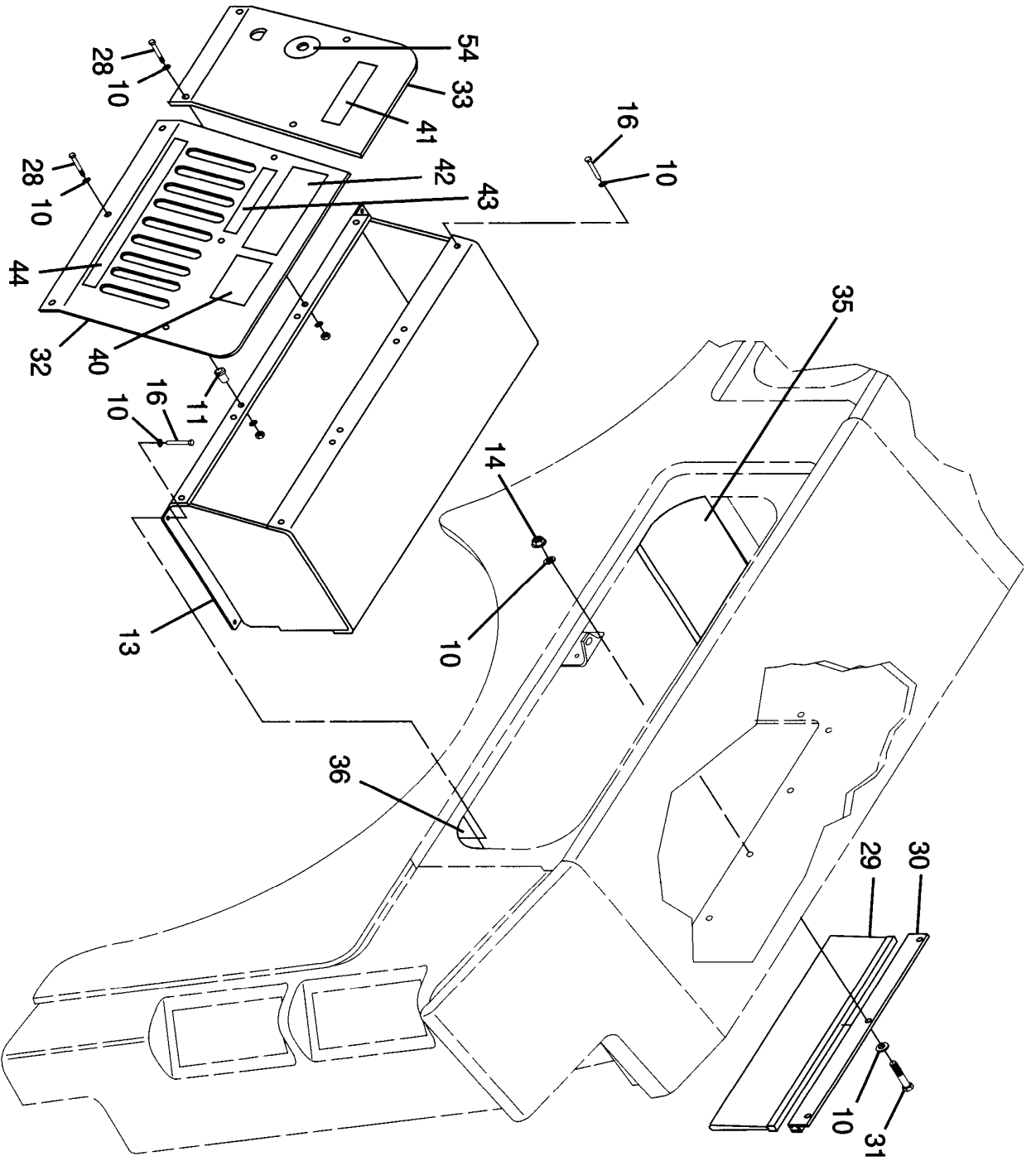
CONTROLS ASSEMBLY



C-56

Rev. _____
Date _____

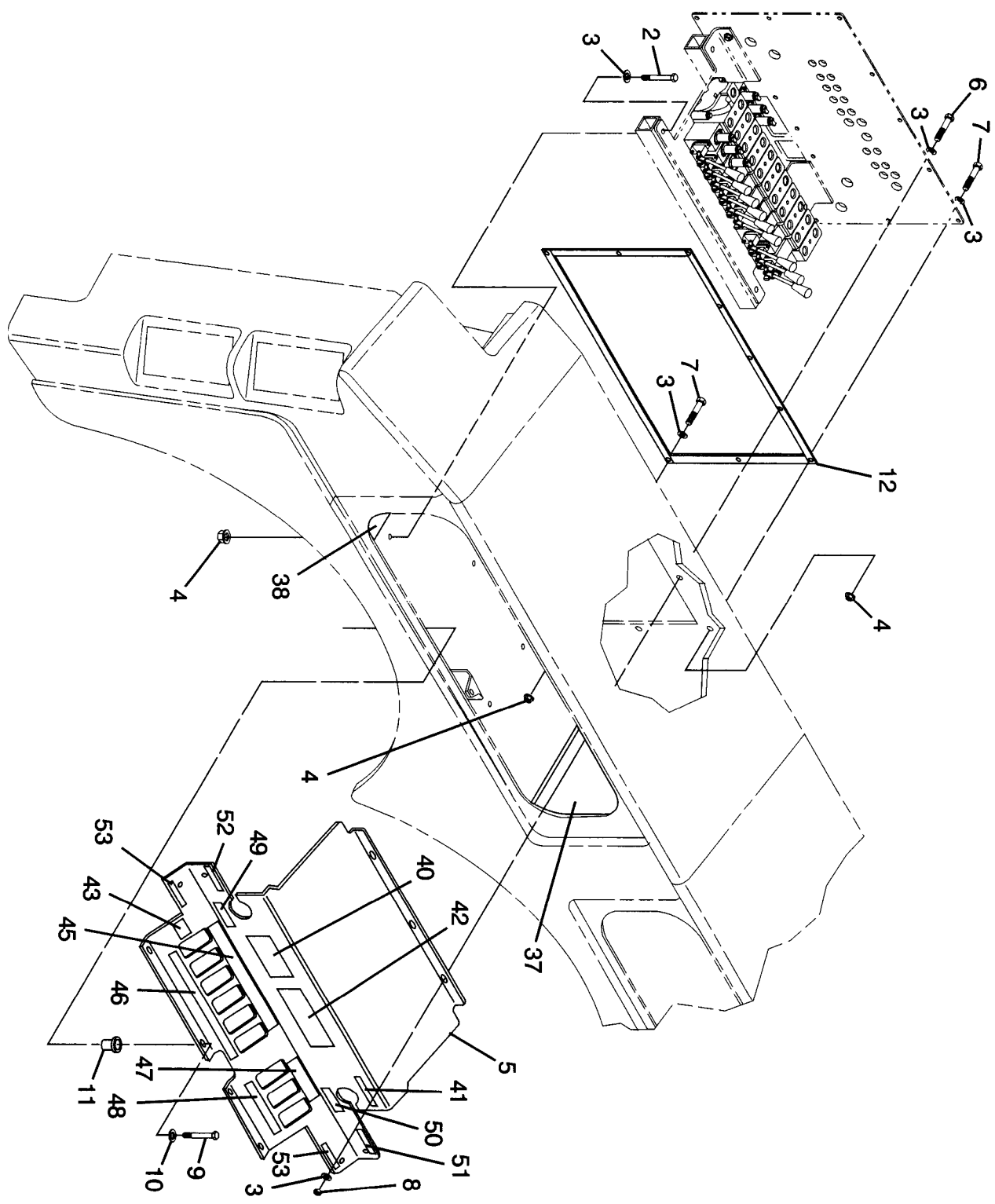
CONTROLS ASSEMBLY



C-57

Rev. _____
Date _____

CONTROLS ASSEMBLY



C-58

Rev. _____
Date _____

PARTS LIST — BODY LIGHTS - 86"

Ref. No.	Part No.	Description	Qty.
1	7114100610	Screw	8
2	7661000002	Hex Nut w/Lockwasher	12
3	7346000077	Guard	2
4	7346000076	Gasket	2
5	7590000104	Light	2
6	7661000024	Nut	16
7	7188000001	Bulb	4
8	7188000002	Bulb	4
9	7590000092	Tail Light	2
10	7114101210	Screw	16
11	7590000093	Tail Light	2
12	7590000011	Light	2
13	7590000096	Light	2
14	7346000078	Boot	1
15	7346000055	Socket	1
16	7870000042	Switch Panel	1
17	7790141651	Screw	6
18	7870000044	Power Dist. Panel	1
19	7660142601	Locknut	4
20	7950140151	Flatwasher	10
21	7115140650	Capscrew	4
22	7112101411	Screw	4
23	4346000003	Junction Box	1
24	7790100856	Screw	32
25	7590000094	Light Assembly w/Switch	8
26	7457000011	Fuse, 10 Amp	3
27	7457000012	Fuse, 20 Amp	16
28	7457000019	Fuse, 5 Amp	6
29	7661000023	Nut w/Ext Lockwasher	18
30	7457000006	Fuse, 15 Amp	1
31	7457000023	Fuse, 20 Amp	2
32	7457000013	Fuse, 15 Amp	2
33	7740000001	Relay	14

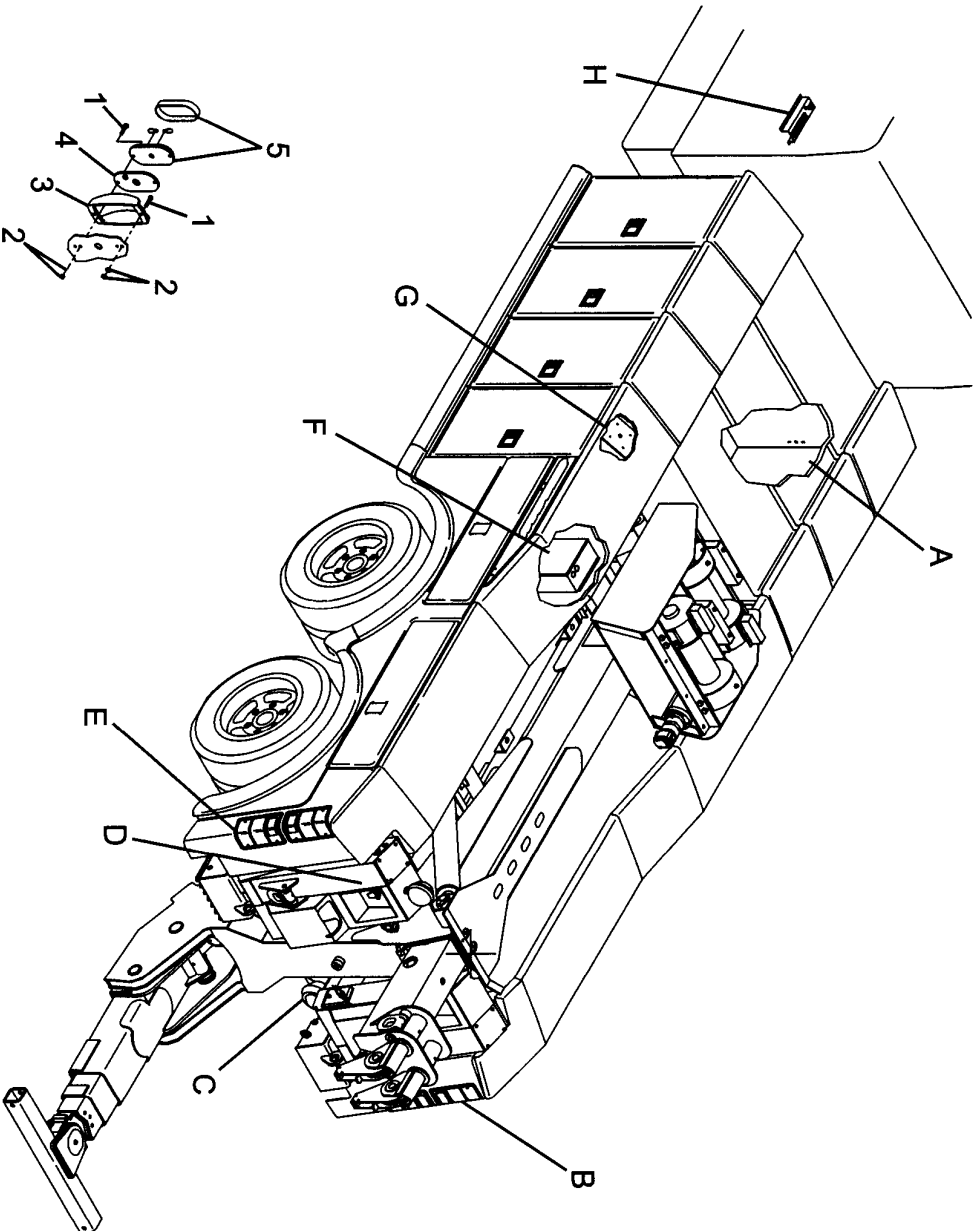


C-60

Rev. _____

Date _____

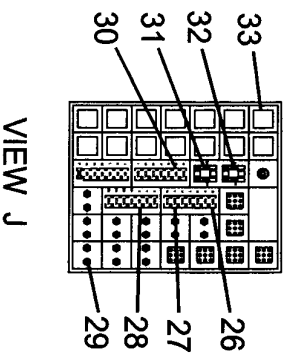
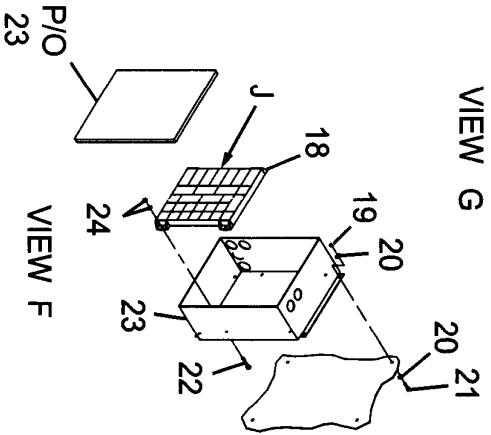
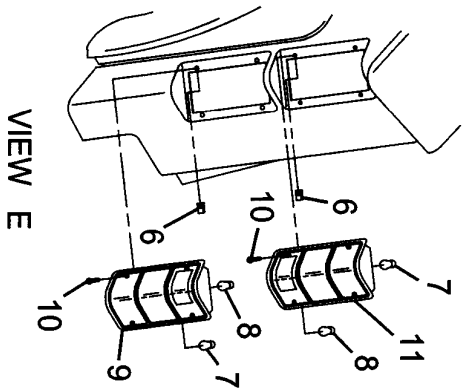
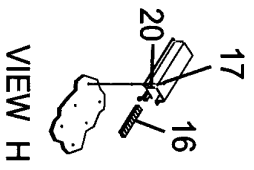
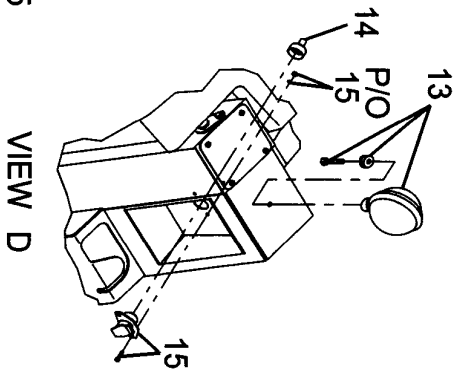
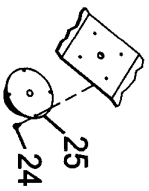
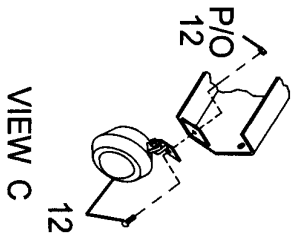
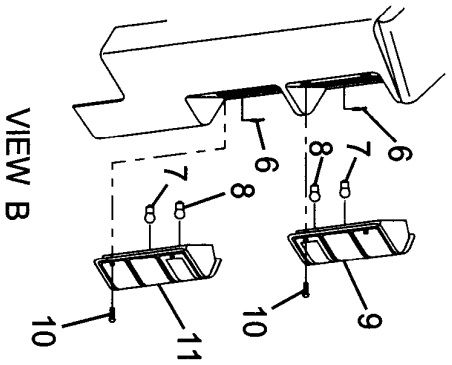
BODY LIGHTS - 86"



C-61

Rev. _____
Date _____

BODY LIGHTS - 86"



C-62

Rev. _____
Date _____

PARTS LIST — BODY LIGHTS - 146"

Ref. No.	Part No.	Description	Qty.	Ref. No.	Part No.	Description	Qty.
1	7870000042	Switch Panel	1	28	7590000126*	Chrome Work Light	2
2	7790141651	Hex Head Screw	6	29	7120000028*	Screw	8
3	7950140151	Flatwasher	10	30	7661000023*	Nut w/Lockwasher	10
4	7590000094	Light Assembly w/Switch	14	31	734521702*	Ring Terminal	2
5	7790100856	Screw	56	32	7590000092	Tail Light, RH	2
6	7590000105	License Plate Light	1	33	7114101210	Screw	16
7	7178000025	License Plate Bracket	1	34	7590000093	Tail Light, LH	2
8	7274000036	Clamp	8	35	7661000024	Nut	16
9	7114100618	Cap screw	8	36	7188000001	Bulb	4
10	7660102601	Nut	8	37	7188000002	Bulb	4
11	7114100610	Screw	8	38	4346000004	Junction Box	1
12	7661000002	Nut w/Lockwasher	12	39	7870000044	Power Dist. Panel	1
13	7346000077	Guard	2	40	7115140650	Cap screw	4
14	7346000076	Gasket	2	41	7660142601	Locknut	4
15	7590000104	Light	2	42	7115101411	Screw	4
16	7493000017	Grommet	2	43	7493000014	Grommet	3
17	7894000031	Cable Tie	4	44	7457000012	20 Amp Fuse	7
18	7790141656	Screw	4	45	7115140425	Screw	1
19	7346000055	Socket	1	46	7457000006	15 Amp Fuse	1
20	7346000078	Socket Boot	1	47	7457000011	10 Amp Fuse	3
21	7115150864	Carriage Bolt	1	48	7457000019	5 Amp Fuse	1
22	7950150161	Flatwasher	2	49	7661000023	Nut w/Lockwasher	11
23	7660152601	Locknut	2	50	7740000001	Relay	5
24	7590000096	Chrome Work Light	2	51	7493000011	Grommet	3
25	8597650002	Loom	3 ft.				
26	7590000089	Rubber Housed Multi-Purpose Light	2				
27	7274000026	Clamp	10				

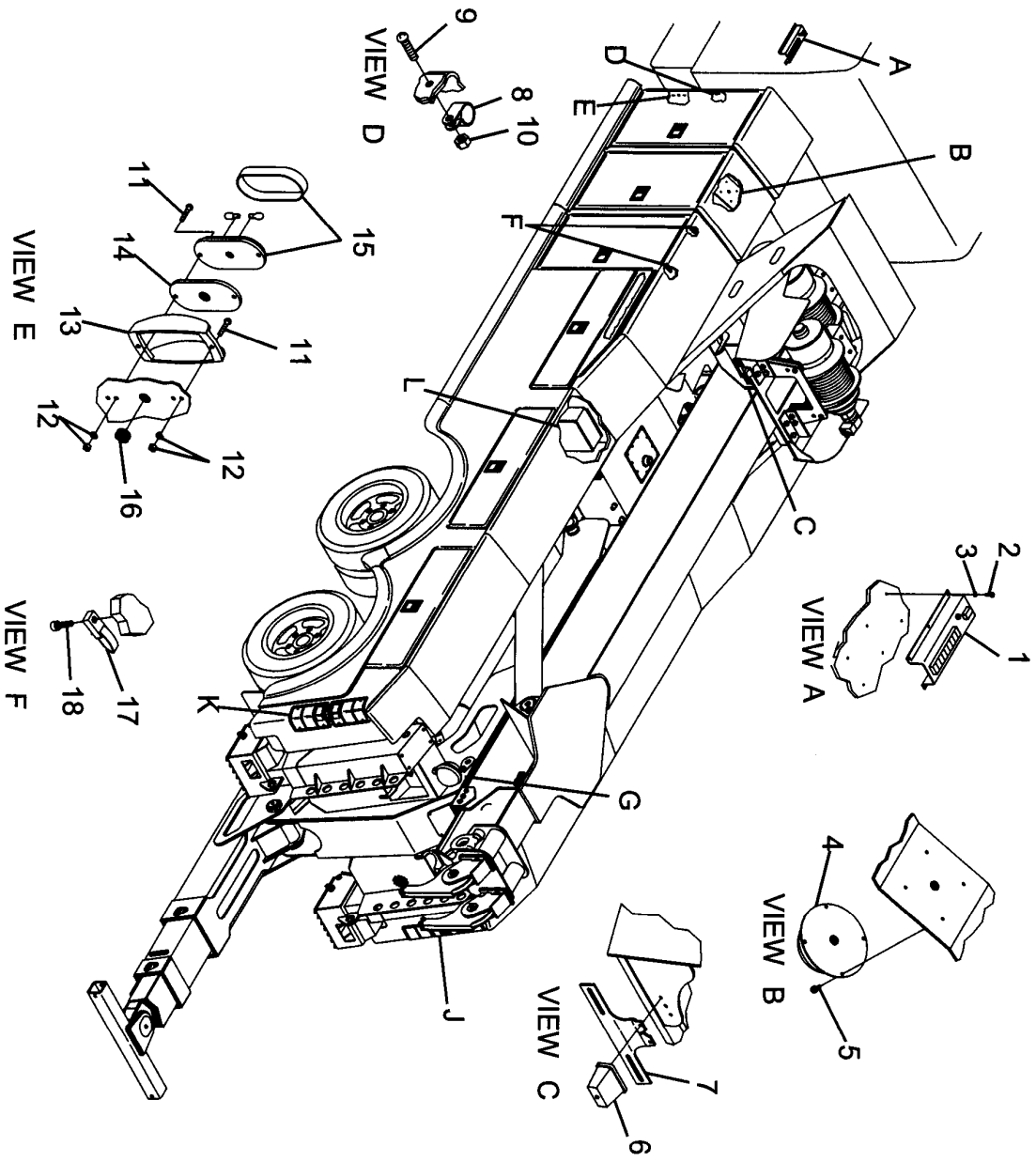
* Available only in Deluxe Hook-up Light Option



C-64

Rev. _____
Date _____

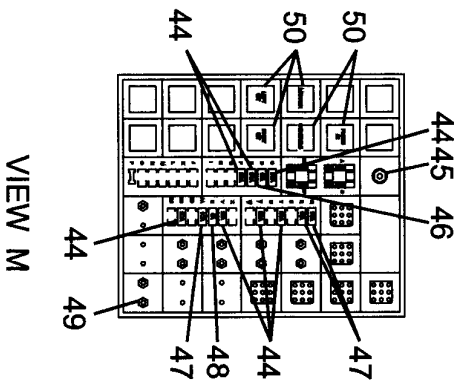
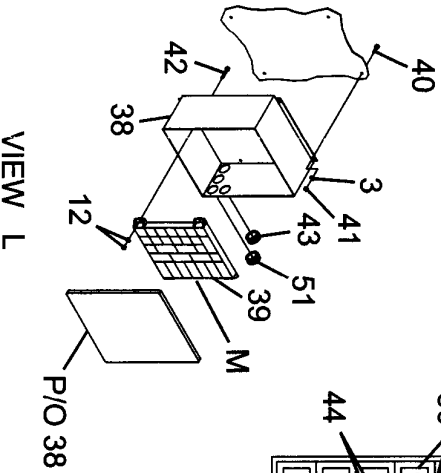
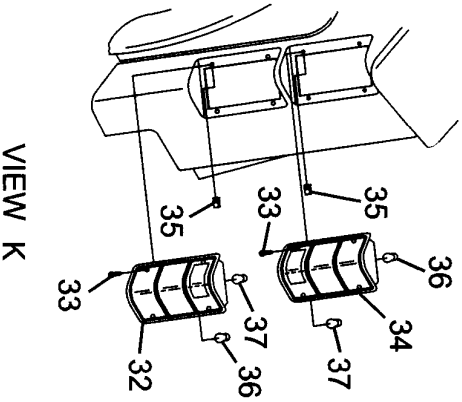
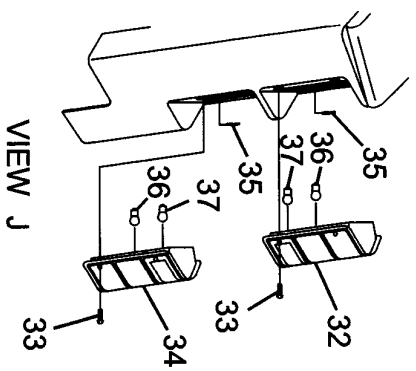
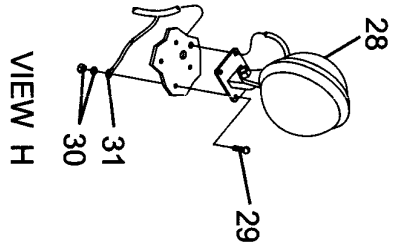
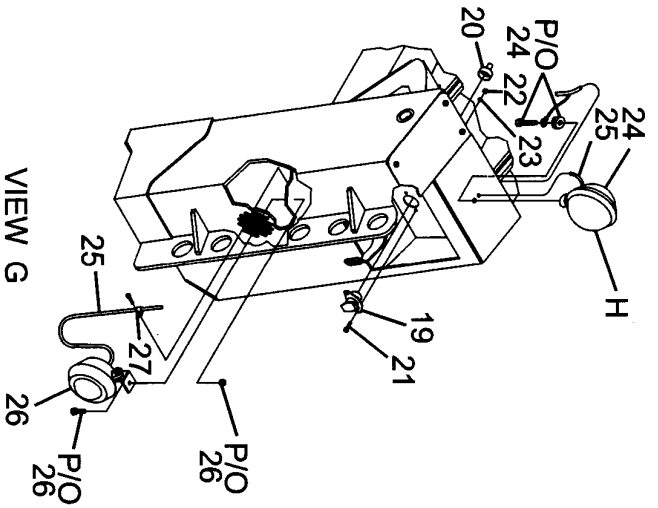
BODY LIGHTS - 146"



C-65

Rev. _____
Date _____

BODY LIGHTS -146"



C-66

Rev. _____
Date _____

**UNDERLIFT
GRID PARTS**

Cross Tube Installation D-2
Frame Fork Assembly D-5
Heavy Duty Tire Lift Assembly D-6
Pintle Hook Assembly D-9

PARTS LIST — CROSSTUBE INSTALLATION

Ref. No.	Part No.	Description	Qty.
1	7440003000	Grease Fitting	1
2	4691000242	Pivot Pin	1
3	3913000049	Crosstube Weldment	1
4	7754000042	Retaining Ring	1
5	4949000041	Shim	1
6	4949000042	Shim	1

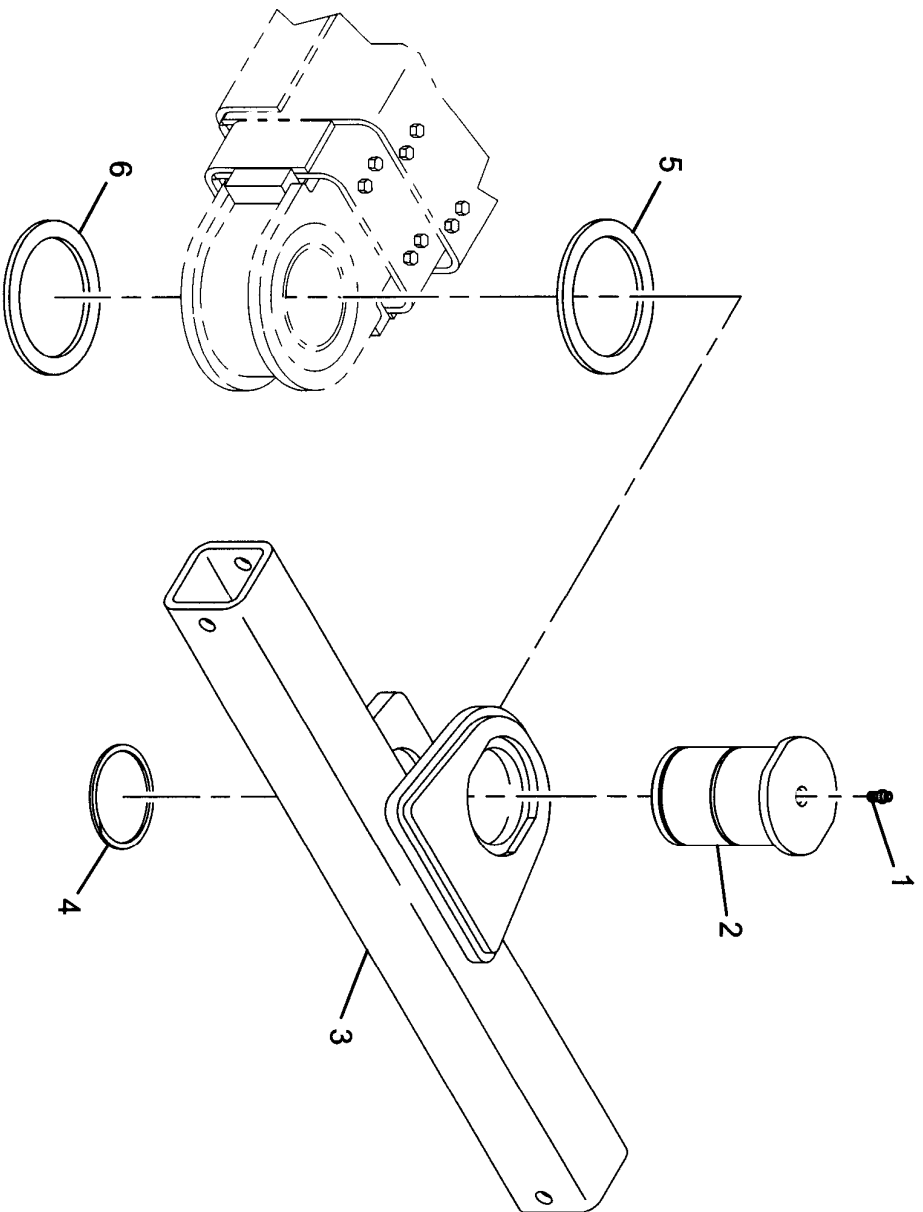


D-2

Rev. _____

Date _____

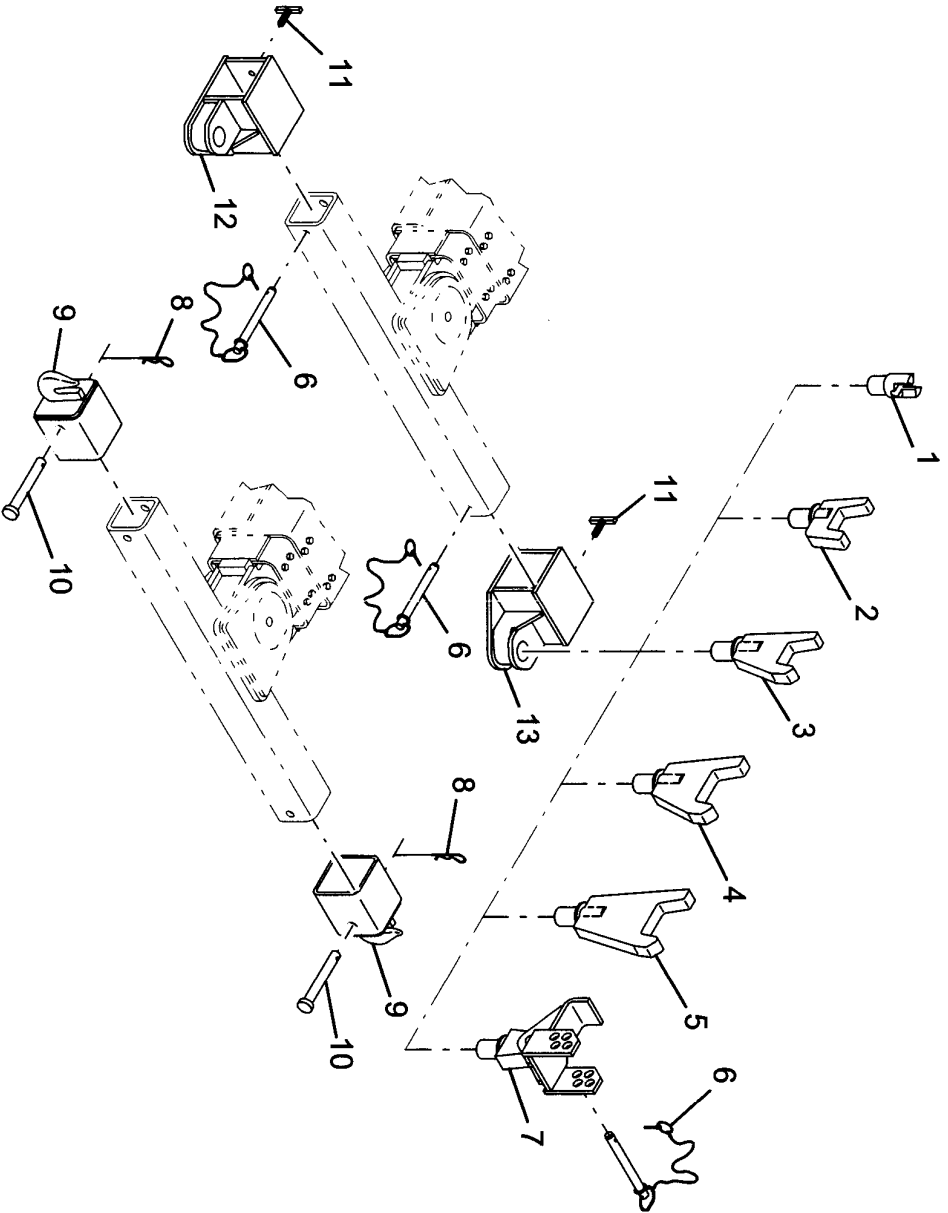
CROSSTUBE INSTALLATION



D-3

Rev. _____
Date _____

FRAME FORK ASSEMBLY



PARTS LIST — FRAME FORK ASSEMBLY

Ref. No.	Part No.	Description	Qty.
1	4007000007	Chain Adapter (Optional)	2
2	3454000006	Short Fork Weldment	2
3	3454000005	Narrow Fork Weldment	2
4	3454000003	Wide Fork Weldment	2
5	3454000004	Long Fork Weldment	2
6	7691000021	Hitch Pin	4
7	3178000226	Spring Lift Bracket	2
8	7691000020	Hairpin	2
9	3007000004	Chain Adapter	2
10	7691000022	Clevis Pin	2
11	3551000036	T-Handle Weldment	2
12	3007000007	Lift Receiver, RH	1
13	3007000006	Lift Receiver, LH	1
14	7262000026	Safety Chain (Not Shown)	2



D-5

Rev. _____

Date _____

PARTS LIST — HEAVY DUTY TIRE LIFT ASSEMBLY

Ref. No.	Part No.	Description	Qty.
1	3484000048	Grid Weld RH	1
2	3484000049	Grid Weld LH	1
3	3020000082	Arm Weld RH	1
4	3020000081	Arm Weld LH	1
5	3913000055	Tube Weldment	2
6	3561000008	Hook Weldment	4
7	4561000012	Pull Hook	1
8	7894000037	Tie Strap - Yellow	2
	7894000041	Tie Strap - Orange	
9	7894000028	Ratchet Tie Strap	4
10	7691000026	Hitchpin	2
11	4691000274	Pin	2
12	7691000020	Hairpin	2
13	7330000278	Decal Bar Caution	4
14	7330000277	Placard	2
15	7759000004	Pop Rivet	8
16	7691000021	Pin	2

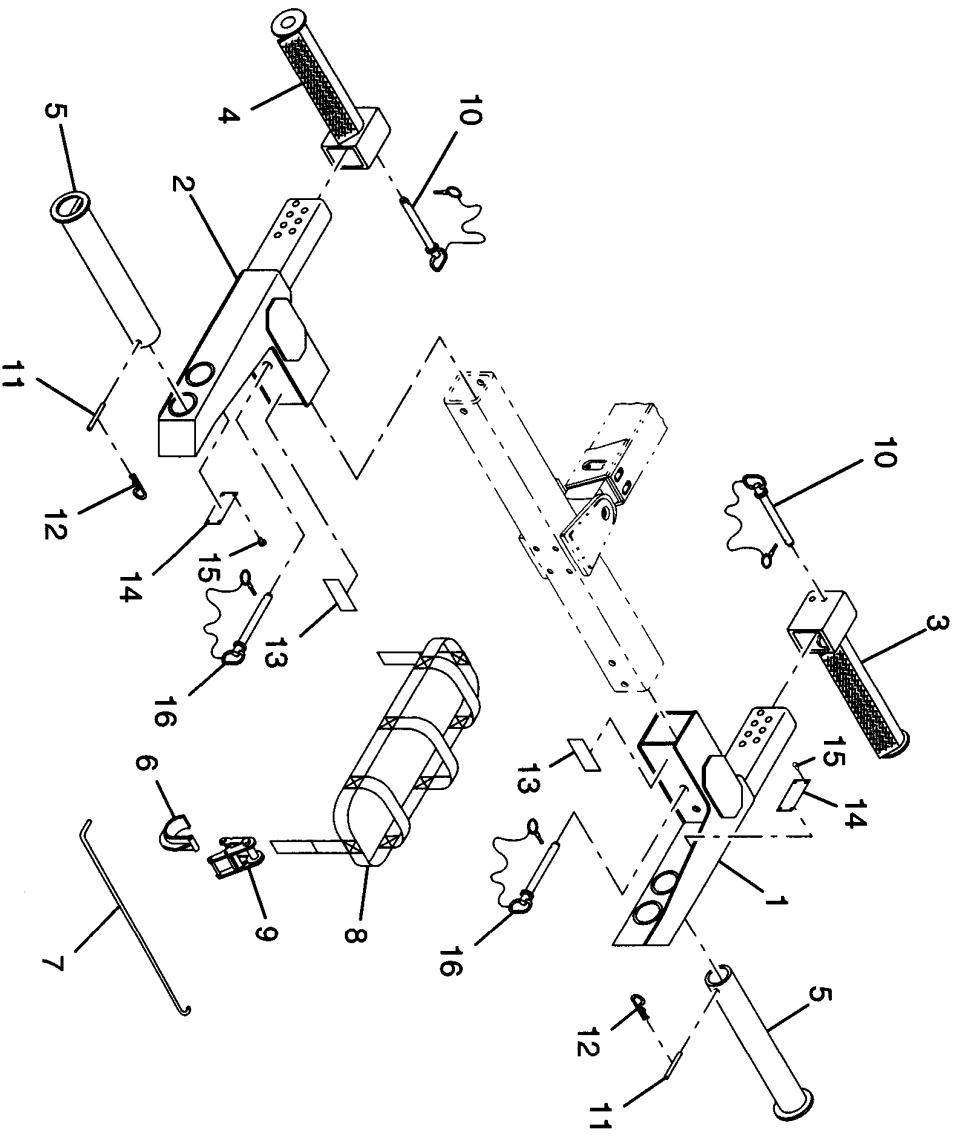


D-6

Rev. _____

Date _____

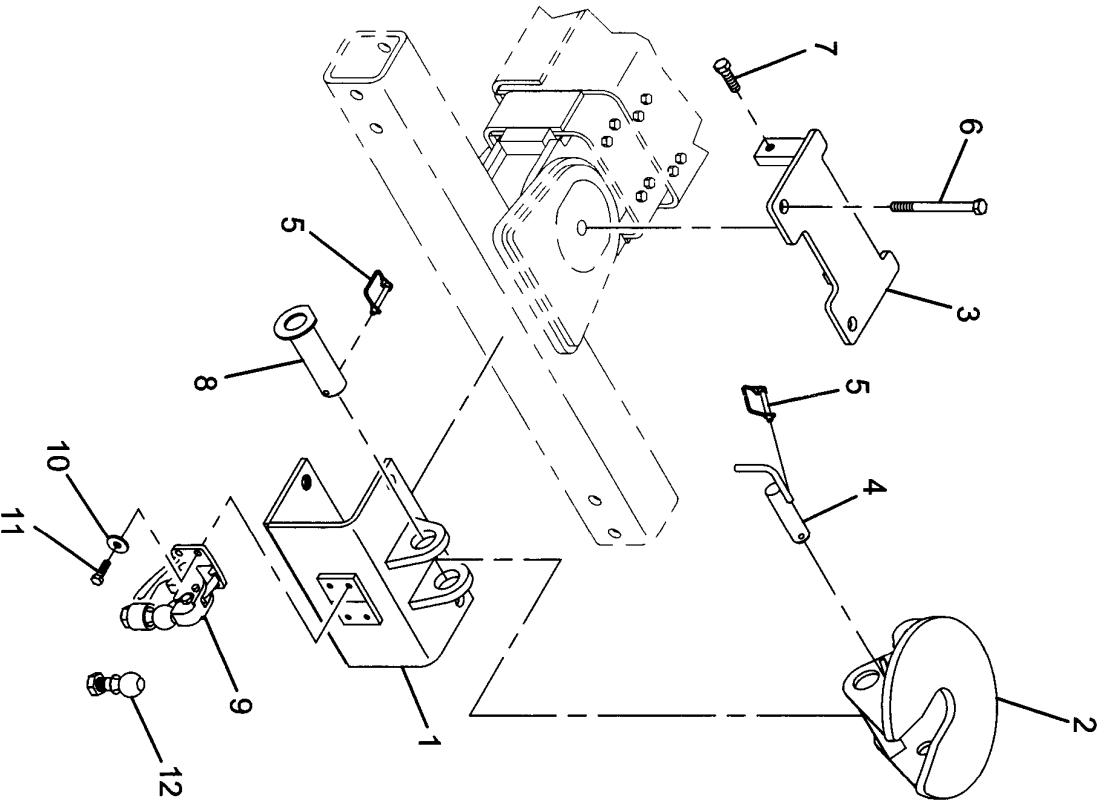
HEAVY DUTY TIRE LIFT ASSEMBLY



D-7

Rev. _____
Date _____

5TH WHEEL AND PINTLE HOOK ADAPTER



D-8

Rev. _____
Date _____

PARTS LIST — 5TH WHEEL AND PINTLE HOOK ADAPTER

Ref. No.	Part No.	Description	Qty.
1	3178000240	Adapter Bracket	1
2	3178000239	5th Wheel Plate Bracket	1
3	3706000080	Adapter Bracket Plate	1
4	3691000145	5th Wheel Pin	1
5	7691000025	Snap Pin	2
6	7118267250	Capscrew	2
7	7118221650	Capscrew	2
8	3691000144	Pin	1
9	7561000020	Dual Purpose Hitch with 2" Ball (Domestic)	1
	7561000022	Dual Purpose Hitch with 50mm Ball (Foreign)	1
10	7950180000	Lockwasher	4
11	7115181250	Capscrew	4
12	7056000003	1 7/8" Ball Replacement	1
	7056000004	2" Ball Replacement	
	7056000005	2 5/16" Ball Replacement	
	7056000006	50mm Ball Replacement	



D-9

Rev. _____

Date _____

**WRECKER BOOM
PARTS**

Boom Installation E-2
Boom Assembly E-5
Boom Lift Cylinders (7320000032) E-6
Boom Extension Cylinders (7320000031) E-9
25,000 LB Winch Installation E-10
35,000 LB Winch Installation E-13
25,000 LB Winch Parts E-14
35,000 LB Winch Parts E-17

PARTS LIST — BOOM INSTALLATION

Ref. No.	Part No.	Description	Qty.
1	3170000183	Boom Assembly 35T	1
2	7320000032	Cylinder	2
3	3691000163	Pin Weld	1
4	3691000161	Pin Weld	2
5	3691000162	Pin Weld	2
6	7115180850	Hex Head Capscrew	5
7	7950180000	Lockwasher	5
8	7950180161	Flatwasher	5
9	4949000031	Shim .06 Thk	2
	4949000032	Shim .09 Thk	
10	7440030000	Grease Fitting	1

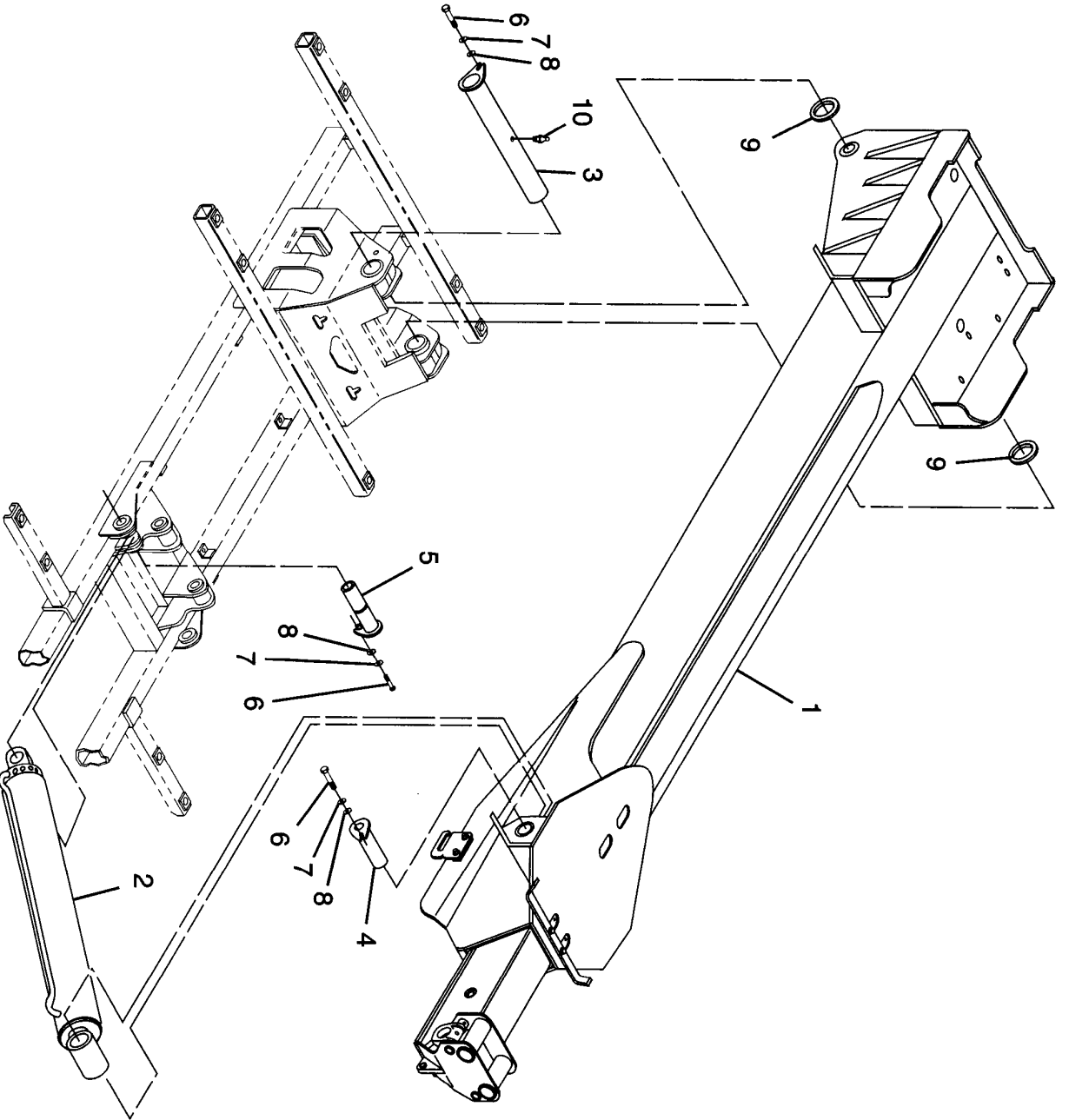


E-2

Rev. _____

Date _____

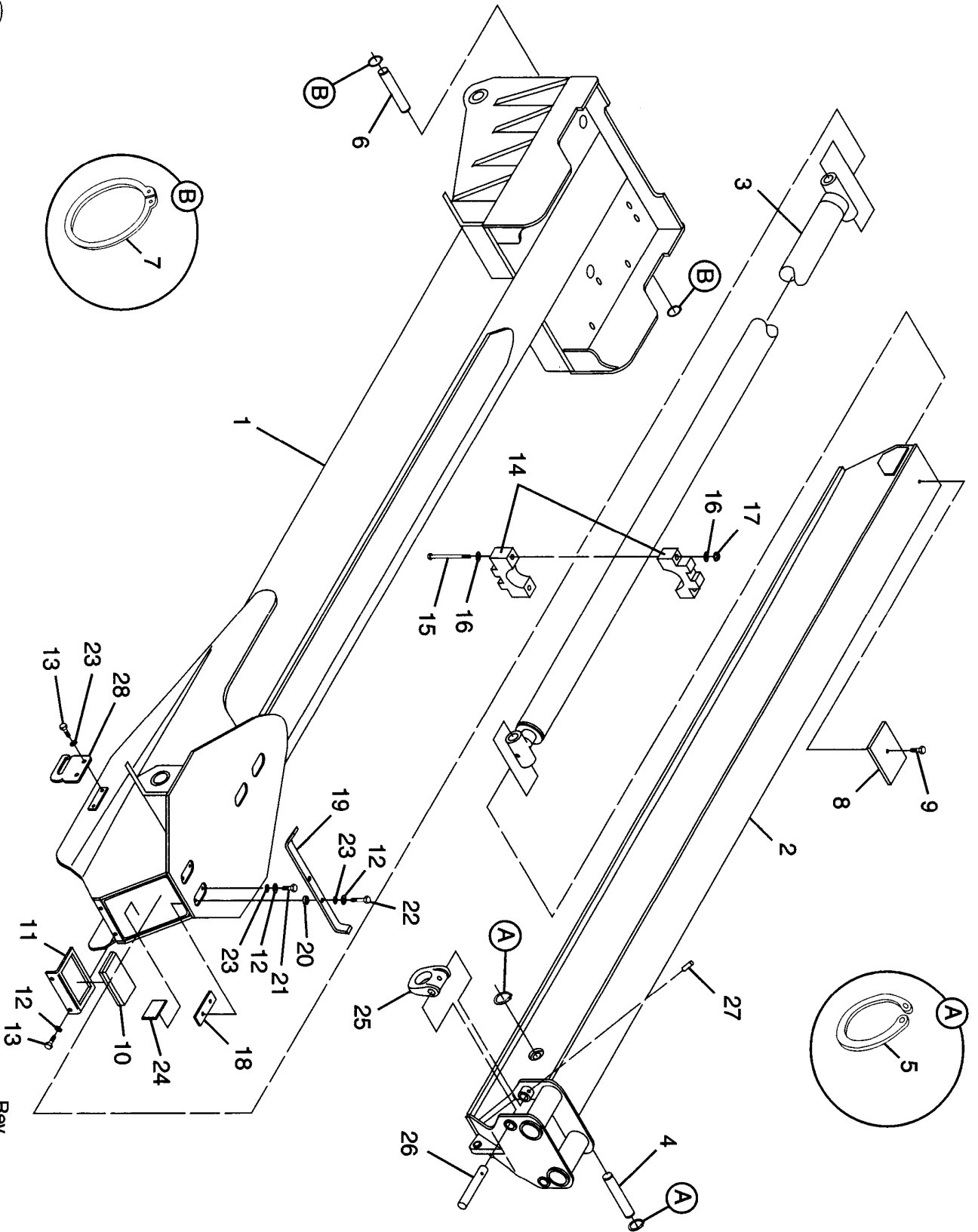
BOOM INSTALLATION



E-3

Rev. _____
Date _____

BOOM ASSEMBLY



E-4

Rev. _____
Date _____

PARTS LIST — BOOM ASSEMBLY

Ref. No.	Part No.	Description	Qty.
1	3170000182	Boom Weld Outer	1
2	3170000148	Boom Weld Inner	1
3	7320000031	Cylinder	1
4	4691000323	Pin	1
5	7754000061	Snap Ring	2
6	4691000208	Boom Barrel Pin	1
7	7754000048	Retaining Ring	2
8	4679000163	Pad	1
9	7114140418	Capscrew	1
10	4679000162	Pad	1
11	4706002435	Plate	1
12	7950180153	Flatwasher	6
13	7115180850	Hex Head Capscrew	6
14	4177000033	Support	2
15	7115164450	Hex Head Capscrew	2
16	7950160251	Flatwasher	4
17	7660161600	Locknut	2
18	4831000061	Spacer	2
19	4062000158	Bar	1
20	4831000064	Spacer	2
21	7115180750	Hex Head Capscrew	2
22	7115181450	Hex Head Capscrew	2
23	7950180000	Lockwasher	8
24	4679000168	Pad	2
25	4754000003	D-Ring	2
26	4691000243	Boom Nose	2
27	7690142845	Spring Pin	2
28	4706002856	Plate	2



E-5

Rev. _____

Date _____

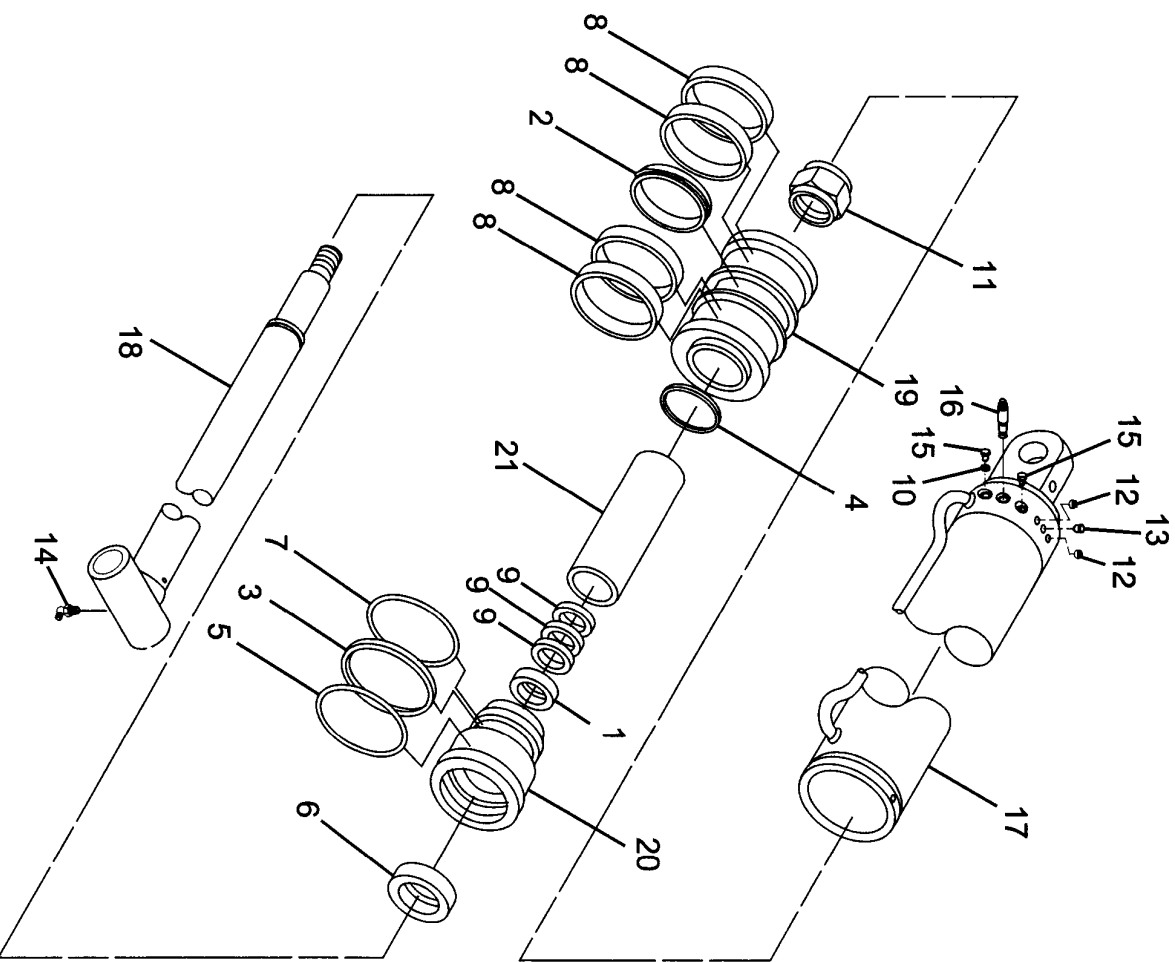
PARTS LIST — BOOM LIFT CYLINDER
732000032

Ref. No.	Part No.	Description	Qty.
1	9796250071*	Seal	1
2	9796250075*	Seal	1
3	9754250013*	Back-Up	1
4	9796250062*	O-Ring	1
5	9796250063*	O-Ring	1
6	9796250114*	Wiper	1
7	9796250067*	O-Ring	1
8	9754250016*	Wear Ring	4
9	9754250018*	Wear Ring	3
10	9796250079*	Washer Seal	2
11	9661250017	Locknut	1
12	9701250007	Port Plug	2
13	9701250017	Port Plug	1
14	7440030400	Lube Fitting	2
15	9701250005	Bleeder Plug	2
16	9935250032	Counter Balance Valve	1
17	9912250013	Tube Assembly	1
18	9763250015	Rod Assembly	1
19	9698250003	Piston	1
20	9553250008	Head	1
21	9831250017	Spacer	1

*Available only in Service Kit #7577250191



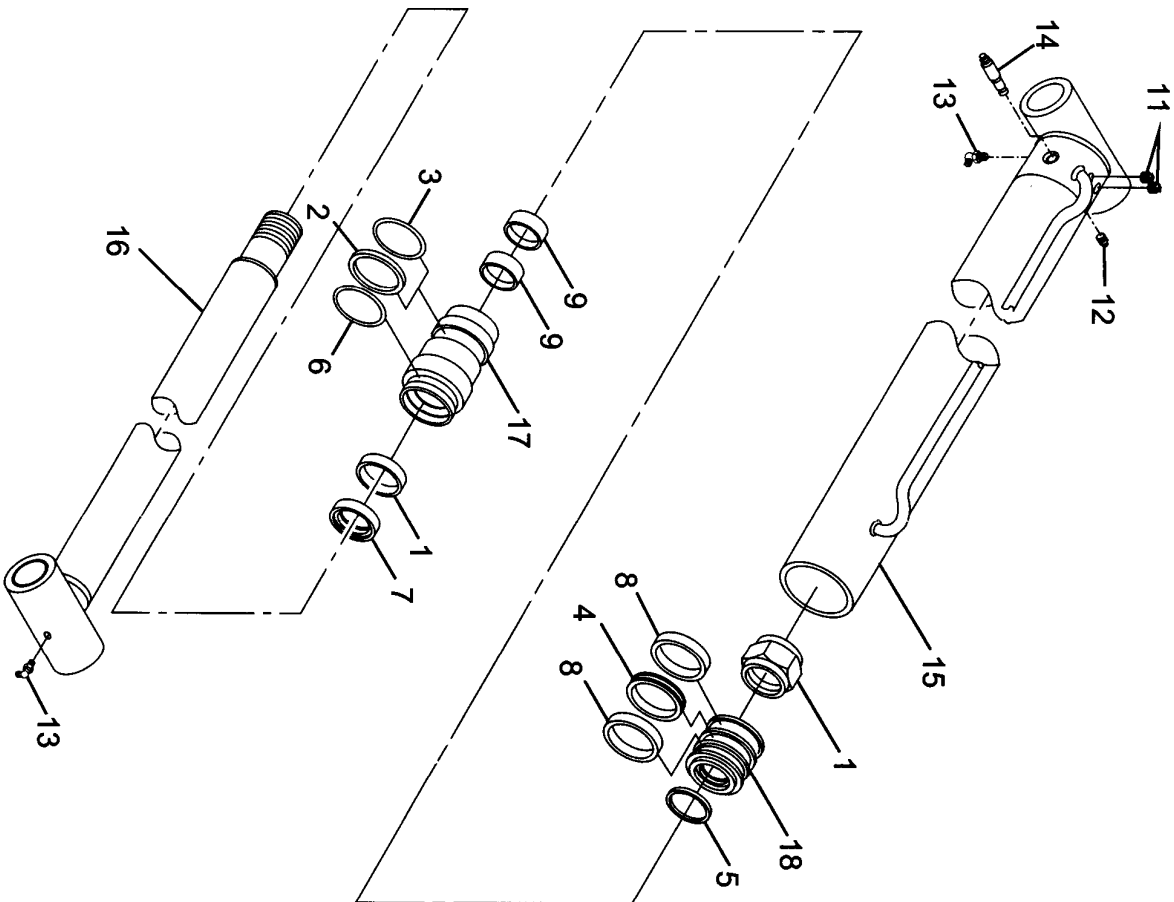
BOOM LIFT CYLINDER
7320000032



E-7

Rev. _____
Date _____

BOOM EXTENSION CYLINDER
732000031



**PARTS LIST — BOOM EXTENSION CYLINDER
732000031**

Ref. No.	Part No.	Description	Qty.
1	9796250070*	Seal	1
2	9754250009*	Back-Up	1
3	9796250057*	O-Ring	1
4	9796250073*	Seal	1
5	9796250061*	O-Ring	1
6	9796250066*	O-Ring	1
7	9796250115*	Wiper	1
8	9754250014*	Wear Ring	2
9	9754250020*	Wear Ring	2
10	9661250016	Locknut	1
11	9701250007	Port Plug	2
12	9701250017	Port Plug	1
13	7440030400	Lube Fitting	2
14	9935250032	Counter Balance Valve	1
15	9912250014	Tube Assembly	1
16	9763250019	Rod Assembly	1
17	9553250010	Head	1
18	9698250012	Piston	1

*Available only in Service Kit #7577250228

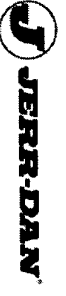
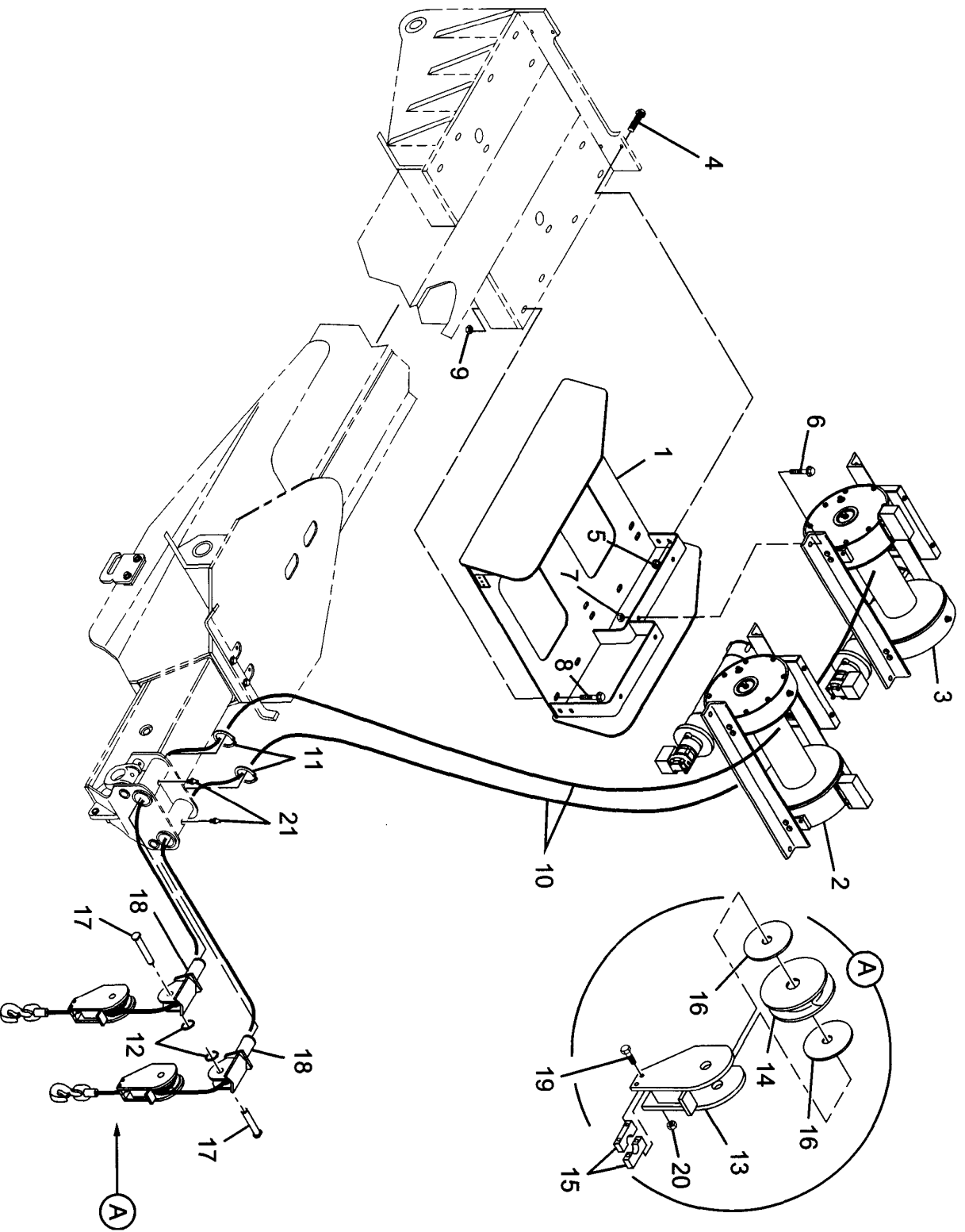


**PARTS LIST — 25,000 LB RAMSEY WORM GEAR WINCH
INSTALLATION**

Ref. No.	Part No.	Description	Qty.
1	3636000067	Worm Winch Mount	1
2	7970000078	Winch	1
3	7970000077	Winch	1
4	7118181016	Capscrew	4
5	7660182301	Locknut	4
6	7118221816	Capscrew	8
7	7660222308	Locknut	8
8	7118201616	Oxide	12
9	7661000018	Nut	12
10	7248000040	Cable 5/8i x 200i	2
11	7754000049	Retaining Ring	1
12	7754000048	Retaining Ring	2
13	3249000001	Cable Guide Weldment	2
14	7809000002	Sheave	2
15	4249000001	Cable Guide	4
16	4949000031	Shim .06 Thk	2
	4949000032	Shim .09 Thk	
17	3691000129	Sheave Pin Weldment	2
18	3249000010	Sheave Support Weldment	2
19	7115142050	Hex Head Capscrew	4
20	7660141600	Locknut	4
21	7440003000	Lube Fitting	2



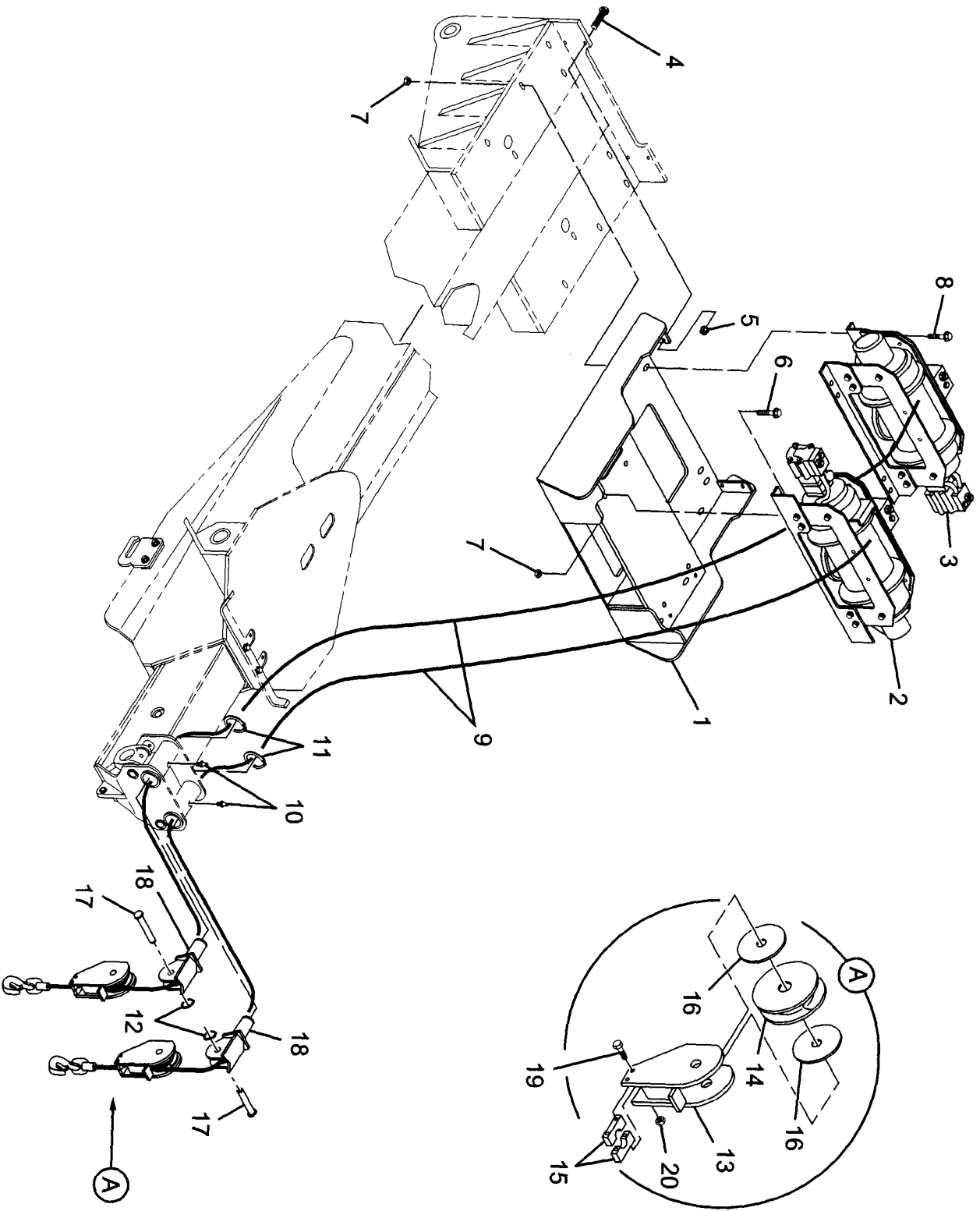
25,000 LB RAMSEY WORM GEAR WINCH INSTALLATION



E-11

Rev. _____
Date _____

35,000 LB DP PLANETARY GEAR WINCH INSTALLATION (OPTIONAL)



E-12

Rev. _____
Date _____

**PARTS LIST — 35,000 LB DP PLANETARY WINCH
INSTALLATION (OPTIONAL)**

Ref. No.	Part No.	Description	Qty.
1	3636000068	Planetary Winch Mount	1
2	7970000067	Winch	1
3	7970000066	Winch	1
4	7118181016	Capcrew	4
5	7660182301	Locknut	4
6	7118201616	Capcrew	16
7	7661000018	Nut	22
8	7118202016	Bolt	6
9A	7248000037	Cable 5/8" x 250'	2
9B	7248000055	Cable 3/4" x 200'	2
10	7440003000	Lube Fitting	2
11	7754000049	Retaining Ring	2
12	7754000048	Retaining Ring	2
13A	3249000001	Cable Guide Weldment	2
13B	3249000012	Cable Guide Weldment	2
14A	7809000002	Sheave	2
14B	7809000006	Sheave	2
15A	4249000001	Cable Guide	4
15B	4249000002	Cable Guide	4
16A	4949000031	Washer .06 Thk	4
	4949000032	Washer .09 Thk	4
16B	4949000045	Washer	4
17A	3691000129	Sheave Pin Weldment	2
17B	3691000169	Sheave Pin Weldment	2
18A	3249000010	Sheave Support Weldment	2
18B	3249000011	Sheave Support Weldment	2
19	7115142050	Hex Head Capcrew	4
20	7660141600	Locknut	4

A - USED AS STANDARD
B - USED AS OPTIONAL

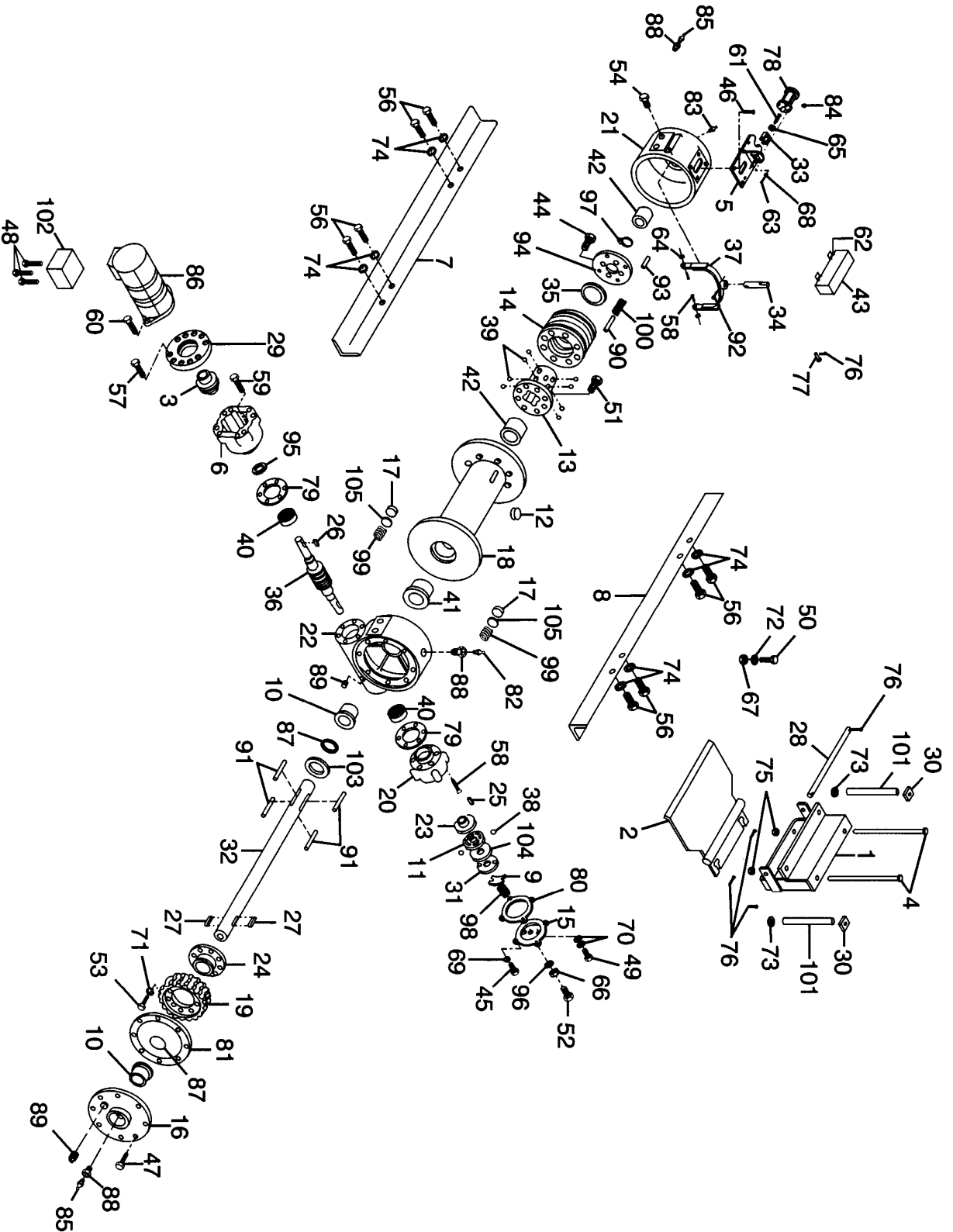


PARTS LIST — RAMSEY WORM GEAR WINCH PARTS

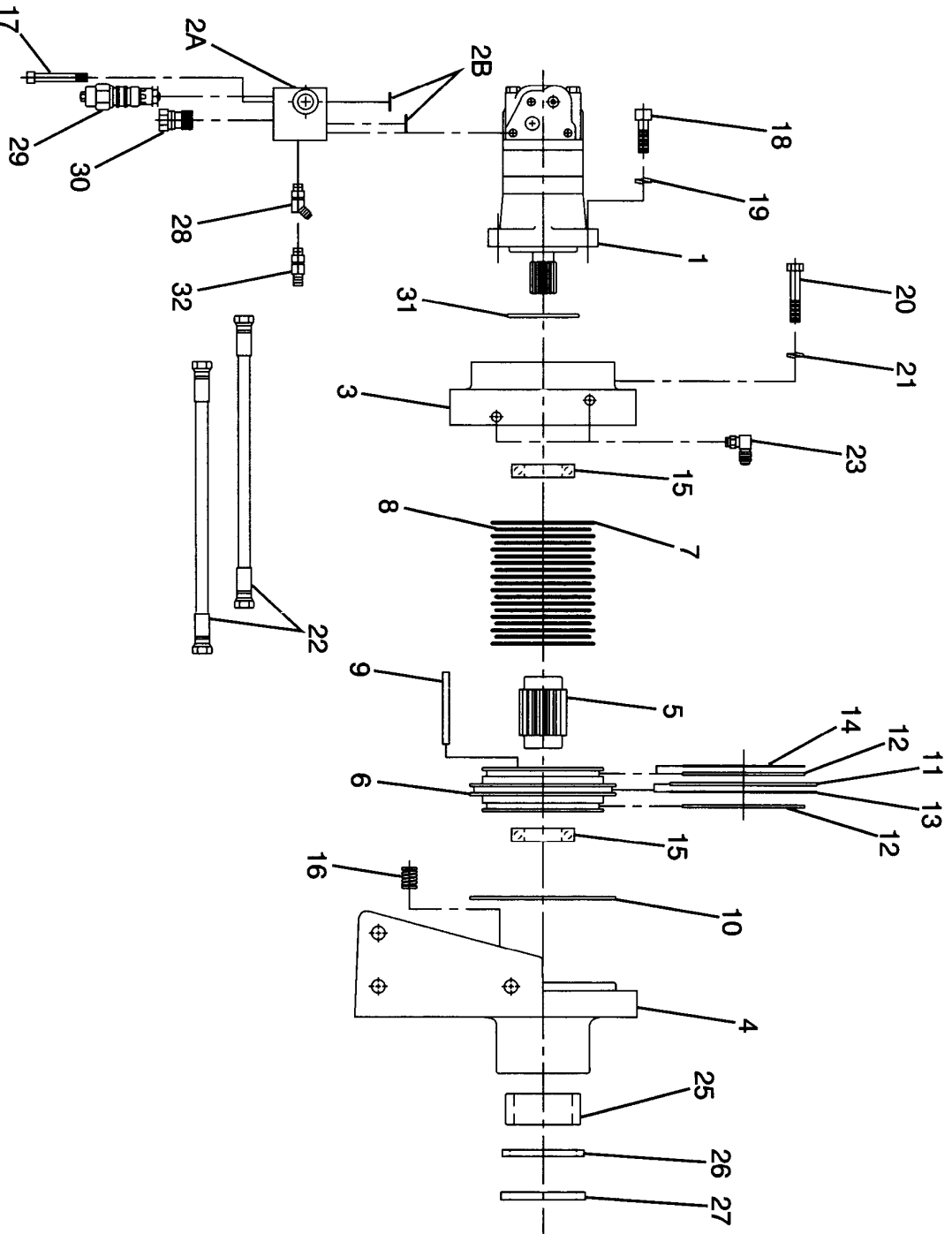
Ref. No.	Part No.	Description	Qty.	Ref. No.	Part No.	Description	Qty.
1	9178960014	Bracket Assembly - Tensioner	1	54	9970414619	Capcrew	2
2	9706960045	Plate Tensioner	1	55	9120960037	Capcrew	4
3	9309960016	Coupling Assembly	1	56	9970414777	Capcrew	4
4	9763960020	Stud Assembly	2	57	9970414871	Capcrew	4
5	9178960015	Bracket Assembly - Air Cylinder	1	58	9970414897	Capcrew	8
6	9007960004	Adapter	1	59	9970414909	Capcrew	8
7	9017960006	Angle-Input Side	1	60	9120960027	Capcrew	2
8	9017960007	Angle-Brake Side	1	61	9786960009	Setcrew	1
9	9843960027	Spring Flat	1	62	9786960010	Screw	1
10	9209960027	Bushing	2	63	9786960011	Screw	4
11	9706960046	Cam Plate	1	64	9661960010	Nut	4
12	9970314010	Cable Anchor	1	65	9661960021	Nut	2
13	9970324151	Clutch	1	66	9970418067	Nut	1
14	9970324318	Locking Ring	1	67	9661960022	Nut	1
15	9314960023	Cover-Brake	1	68	9949960029	Lockwasher	2
16	9970328122	Cover-Gear Housing	1	69	9970418163	Lockwasher	4
17	9970330010	Shoe-Drum Brake	2	70	9970418184	Flatwasher	4
18	9970960022	Drum	1	71	9949960030	Lockwasher	8
19	9970334086	Gear RH	1	72	9949960031	Lockwasher	2
20	9560960016	Housing-Brake	1	73	9949960032	Washer	2
21	9970338235	Housing-Clutch	1	74	9970418249	Lockwasher	8
22	9970338242	Housing-Gear	1	75	9661960023	Nut	2
23	9309960013	Hub-Brake	1	76	9691960030	Lockwasher	5
24	9970340068	Hub-Gear	1	77	9691960031	Cotter Pin	1
25	9970342053	Key	1	78	9320960001	Clevis Pin	1
26	9575960013	Key	1	79	9970442192	Air Cylinder	1
27	9970342153	Pin-Pivot	2	80	9970442195	Gasket	2
28	9691960028	Plate-Hyd Adapter	1	81	9970456008	Gasket	1
29	9706960047	Plate-Spring	1	82	9970456031	Fitting-Relief	1
30	9706960048	Plate-Retainer	2	83	9183960002	Fitting-Lub	1
31	9706960028	Shaft-Drum	1	84	9443960008	Vent-Breather	1
32	9806960022	Clevis	1	85	9626960019	Fitting-Lube	2
33	9277960009	Shifter Shaft	1	86	9970468002	Motor-Hyd	1
34	9806960023	Spacer	1	87	9970468011	Ring-Quad	2
35	9970366224	Worm Gear RH	1	88	9970468012	Reducer	3
36	9970368082	Yoke	1	89	9970470042	Pipe Plug	2
37	9970370047	Ball-Brake	1	90	9970470044	Pin-Roll	4
38	9970400007	Ball-Clutch	2	91	9691960029	Roll Pin	4
39	9970400011	Bearing-Ball	8	92	9970470056	Pin-Roll	1
40	9970402045	Bushing	2	93	9970470056	Plate-Retainer	4
41	9970412051	Cover-Shifter	1	94	9970474030	Seal-Oil	1
42	9970412052	Capcrew	1	95	9970486068	Seal-Thread	1
43	9560960017	Capcrew	2	96	9796960123	Retainer Ring	1
44	9970414038	Capcrew	1	97	9970490025	Spring	1
45	7115150850	Capcrew	4	98	9970494010	Spring-Disc	1
46	9120960033	Capcrew	4	99	9970494022	Spring	2
47	9120960034	Capcrew	8	100	9970494069	Spring	4
48	7115160850	Capcrew	3	101	9843960033	Spring-Tensioner	4
49	9120960035	Capcrew	2	102	9935960033	Counterbalance Valve	2
50	7115181250	Capcrew	2	103	9970518016	Thrust Washer	1
51	9970414571	Capcrew	2	104	9180960011	Disc-Brake	1
52	9120960036	Capcrew	8	105	9970530094	Spacer-Brake	1
53	7108181650	Capcrew	1				2



RAMSEY WORM GEAR



**MOTOR END INSTALLATION
35,000 LB PLANETARY WINCH**



**PARTS LIST — MOTOR END INSTALLATION
35,000 LB PLANETARY WINCH**

Ref. No.	Part No.	Description	Qty.
1	9626960018	Hydraulic Motor	1
2A	9935960027	Counterbalance Valve	1
2B	9796960088	O-Ring	2
3	9571960006	Housing-Brake	1
4	9177960004	Support-Motor End	1
5	9806960019	Brake Shaft	1
6	9698960008	Piston Brake	1
7	9706960023**	Plate-Disc	10
8	9706960025**	Brake Plate	9
9	9691960021	Dowel Pin	2
10	9796960092<	O-Ring	1
11	9796960091<	O-Ring	1
12	9796960086<	O-Ring	2
13	9754960025<	Ring Back-Up	1
14	9754960024<	Ring Back-Up	1
15	9082960013	Bearing	2
16	9843960024**	Spring Compression	12
17	7118162005	Capscrew	3
18	7118181205	Capscrew	2
19	7950180800	Lockwasher	2
20	7118172050	Hex Head Capscrew	6
21	7950170000	Lockwasher	6
22	9570960001	Hose	2
23	9443960007	Adapter	2
24	9330960007*	Warning Tag	1
25	9082960018	Bearing	1
26	9949960028	Washer	1
27	9796960121	Seal	1
28	7445040446	Adapter	1
29	9935960026	Cartridge Valve	1
30	9701960013	Plug Valve	1
31	9796960090	O-Ring	1
32	7445040443	Adapter	1

*Not shown on exploded drawing.

**These items sold in 9577960139 kit only.

<These items sold in 9577960120 kit only.



PARTS LIST — CABLE DRUM INSTALLATION
35,000 LB PLANETARY WINCH

Ref. No.	Part No.	Description	Qty.
1	9970960020	Drum	1
2	9575960012	Key Drum	2
3	9280960002	Clip Cable	1
4	9796960089	O-Ring	1
5	9831960018	Spacer	1
6	7110201423	Capscrew	2

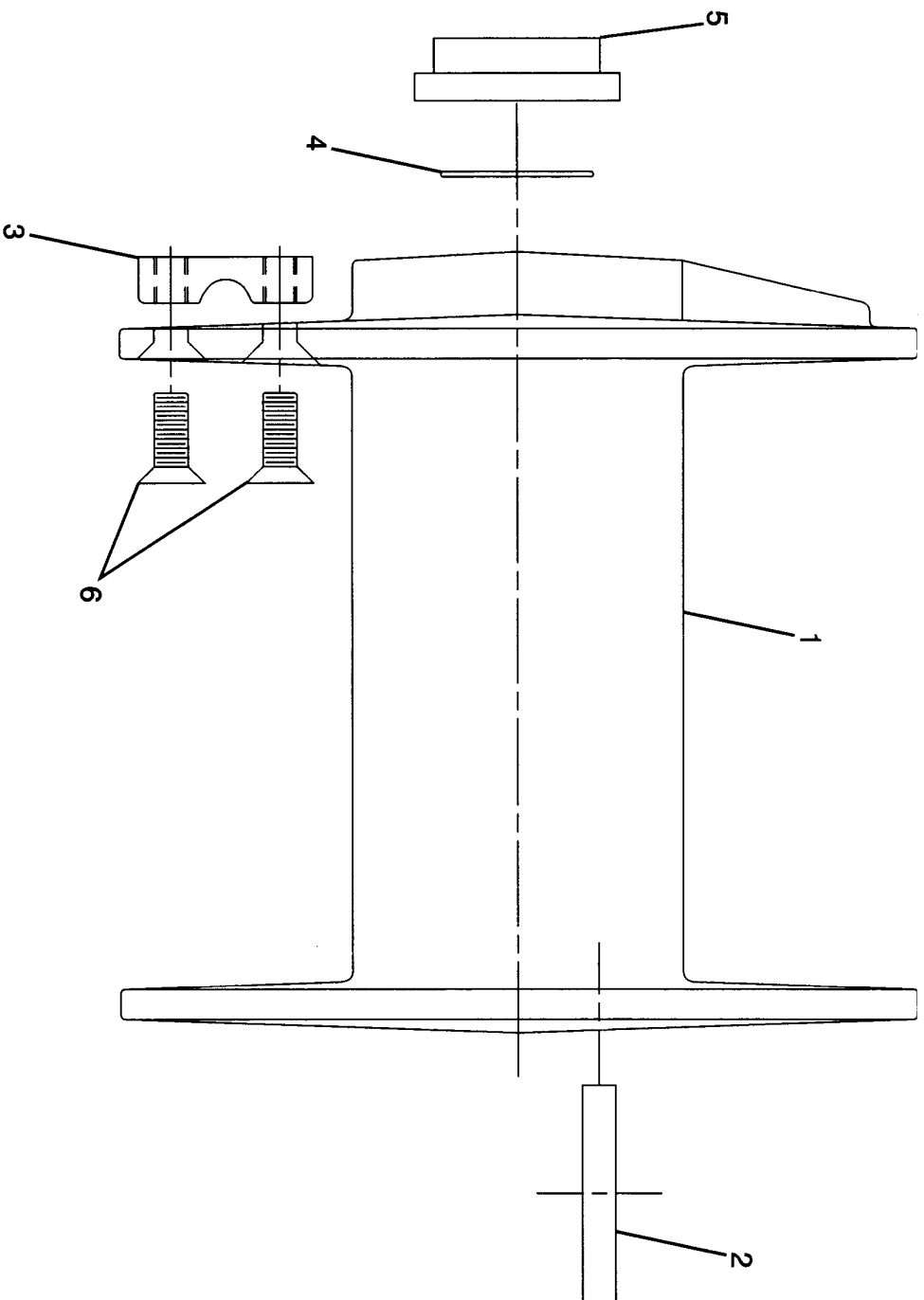


E-18

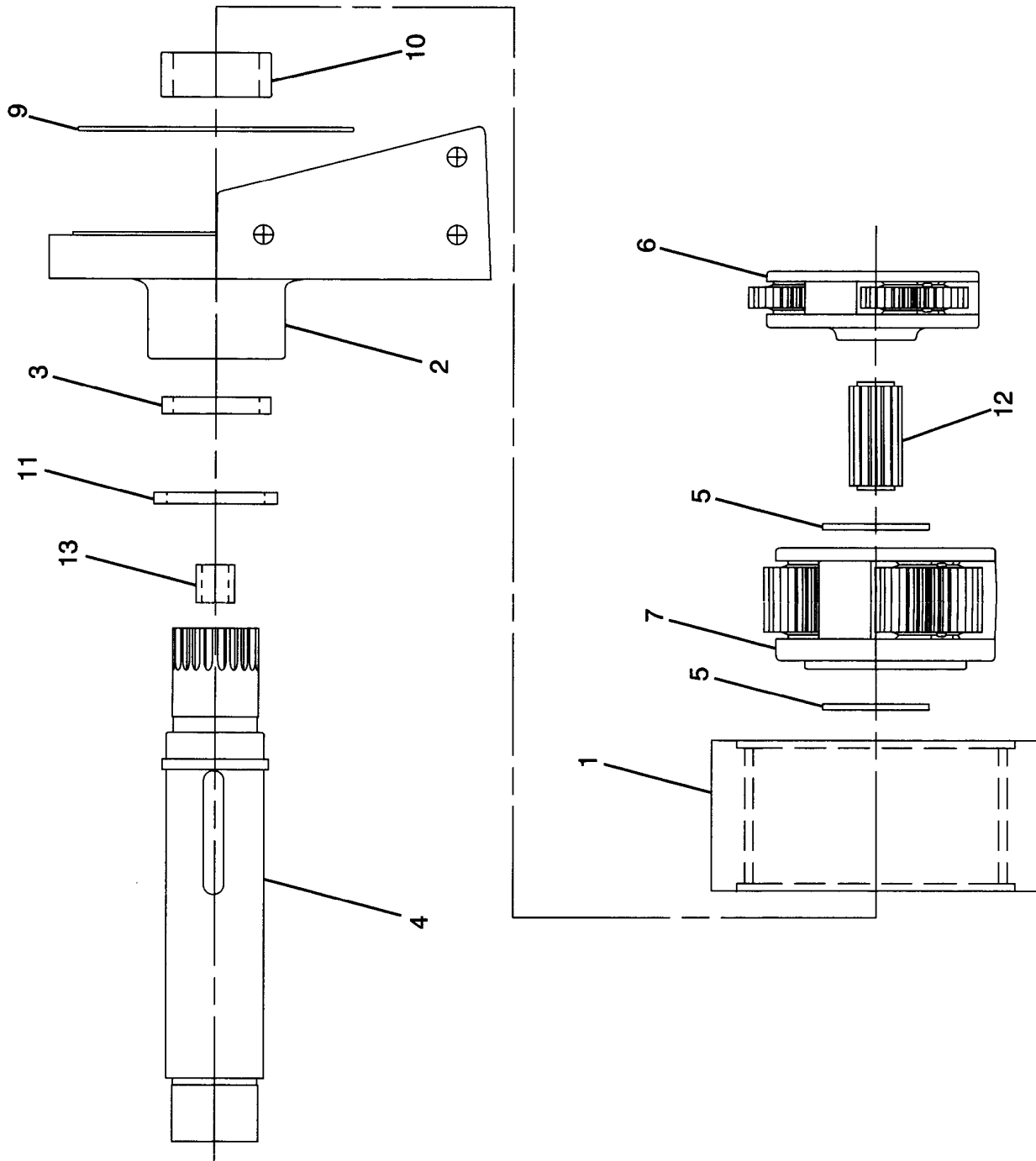
Rev. _____

Date _____

**CABLE DRUM INSTALLATION
35,000 LB PLANETARY WINCH**



**GEAR END INSTALLATION
35,000 LB PLANETARY WINCH**



Rev. _____
Date _____

**PARTS LIST — GEAR END INSTALLATION
35,000 LB PLANETARY WINCH**

Ref. No.	Part No.	Description	Qty.
1	9472960056	Gear Ring	1
2	9177960003	Support Gear End	1
3	9949960028	Washer	1
4	9806960021	Shaft	1
5	9949960027	Washer	2
6	9472960052	Carrier Primary	1
7	9472960053	Carrier Secondary	1
8	9330960006*	Warning Label	1
9	9796960120	O-Ring	1
10	9082960018	Bearing	1
11	9796960121	Seal	1
12	9472960055	Gear	1
13	9209960025	Bushing	1

*Not shown on exploded drawing



E-21

Rev. _____

Date _____

PARTS LIST — INPUT SHAFT INSTALLATION
35,000 LB PLANETARY WINCH

Ref. No.	Part No.	Description	Qty.
1	9806960020	Input Shaft	1

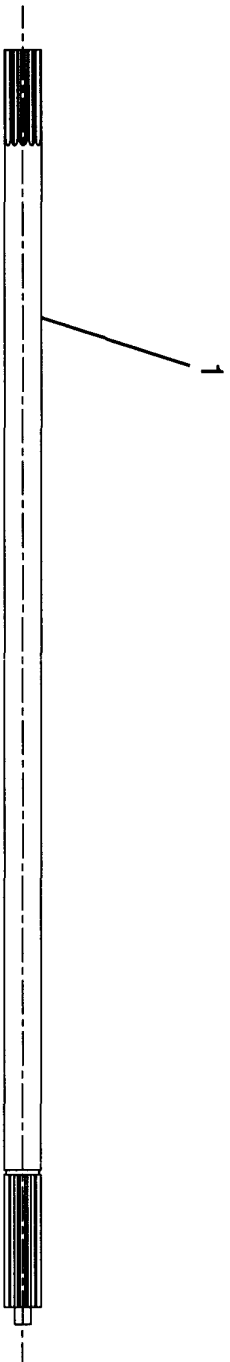


E-22

Rev. _____

Date _____

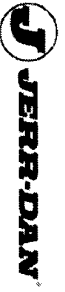
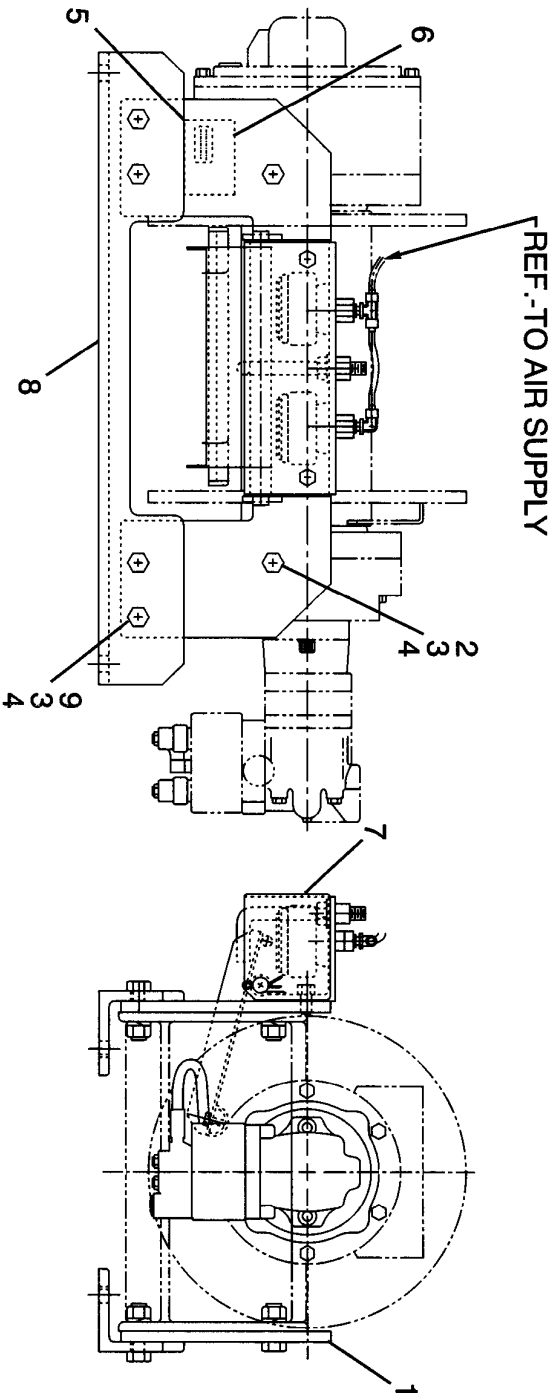
**INPUT SHAFT INSTALLATION
35,000 LB PLANETARY WINCH**



E-23

Rev. _____
Date _____

**BASE MOUNT INSTALLATION
35,000 LB PLANETARY WINCH**



E-24

Rev. _____
Date _____

**PARTS LIST —BASE MOUNT INSTALLATION
35,000 LB PLANETARY WINCH**

Ref. No.	Part No.	Description	Qty.
1	9073960003	Base Mount	2
2	7115201850	Hex Head Capscrew	4
3	7660200001	Nut	12
4	7950200000	Washer	12
5	9759960001	Rivet	4
6	9706960026	Plate	1
7	9577960113	Kit Cable Hold Down	1
8	9073960004	Base Mount	2
9	7115202250	Hex Head Capscrew	8



E-25

Rev. _____

Date _____

**PARTS LIST — KIT - CABLE HOLD DOWN
35,000 LB PLANETARY WINCH**

Ref. No.	Part No.	Description	Qty.
1	9178960011	Bracket	1
2	9020960002	Arm Pivot	1
3	9064960001	Bar Cable Hold Down	1
4	9691960019	Pin	1
5	9843960023	Spring	2
6	7690102410	Cotter Pin	2
7	7950180000	Lockwasher	2
8	7115181650	Hex Head Capscrew	2
9	9949960012	Washer	2
10	7660200200	Nut	4
11	7115150850	Hex Head Capscrew	2
12	9912960010	Tubing	1
13	7443000205	Adapter	1
14	7443000204	Adapter	1
15	7950150000	Lockwasher	2
16	9831960009	Spacer Pin	1
17	9120960019	Bolt Anchor	1
18	7950200151	Flatwasher	2
19	7660200001	Nut	1

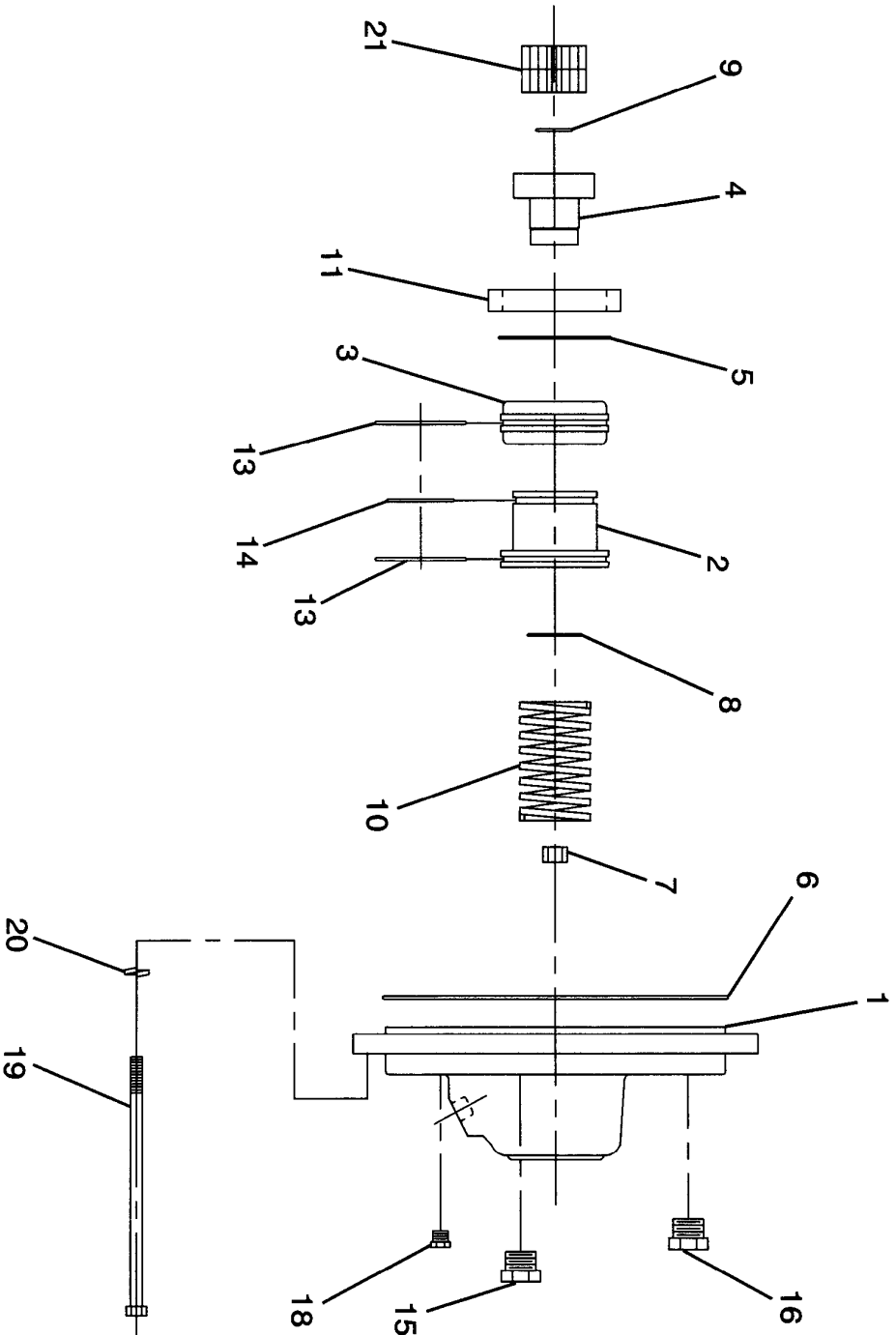


E-26

Rev. _____

Date _____

**GEAR END COVER INSTALLATION
35,000 LB PLANETARY WINCH**



E-28

Rev. _____
Date _____

**PARTS LIST — GEAR END COVER INSTALLATION
35,000 LB PLANETARY WINCH**

Ref. No.	Part No.	Description	Qty.
1	9314960022	Cover Gear End	1
2	9698960016	Piston	1
3	9698960015	Cylinder Piston	1
4	9309960011	Coupling	1
5	9754960026	Retainer Ring	1
6	9796960120	O-Ring	1
7	9209960026	Bushing	1
8	9754960046	Retainer Ring	1
9	9754960047	Retainer Ring	1
10	9843960032	Compression Spring	1
11	9949960028	Washer	1
13	9796960119	O-Ring	2
14	9796960118	O-Ring	1
15	9701960011	Plug - O-Ring	1
16	9701960012	Plug - Socket Head	1
17	9701960018	Plug	1
18	9183960001*	Vent	1
19	7118165250	Hex Head Capscrew	12
20	7950160000	Washer	12
21	9472960054	Gear	1

*Not shown on exploded drawing.



E-29

Rev. _____

Date _____

SCHEMATICS

Hydraulic Lines and Fittings	F-2
Supply-Pressure-Return	F-6
Body Wiring 86"	F-8
Body Wiring 146"	F-12
Switch Panel Wiring	F-16
Remote Control Wiring	F-18
Pylon and Emergency Lights	F-21
Winch and Auxiliary Air Worm Gear Winch	F-22
Winch and Auxiliary Air Planetary Gear Winch	F-25
Glad Hands	F-26
Decal Installation	F-28

PARTS LIST — HYDRAULIC LINES AND FITTINGS

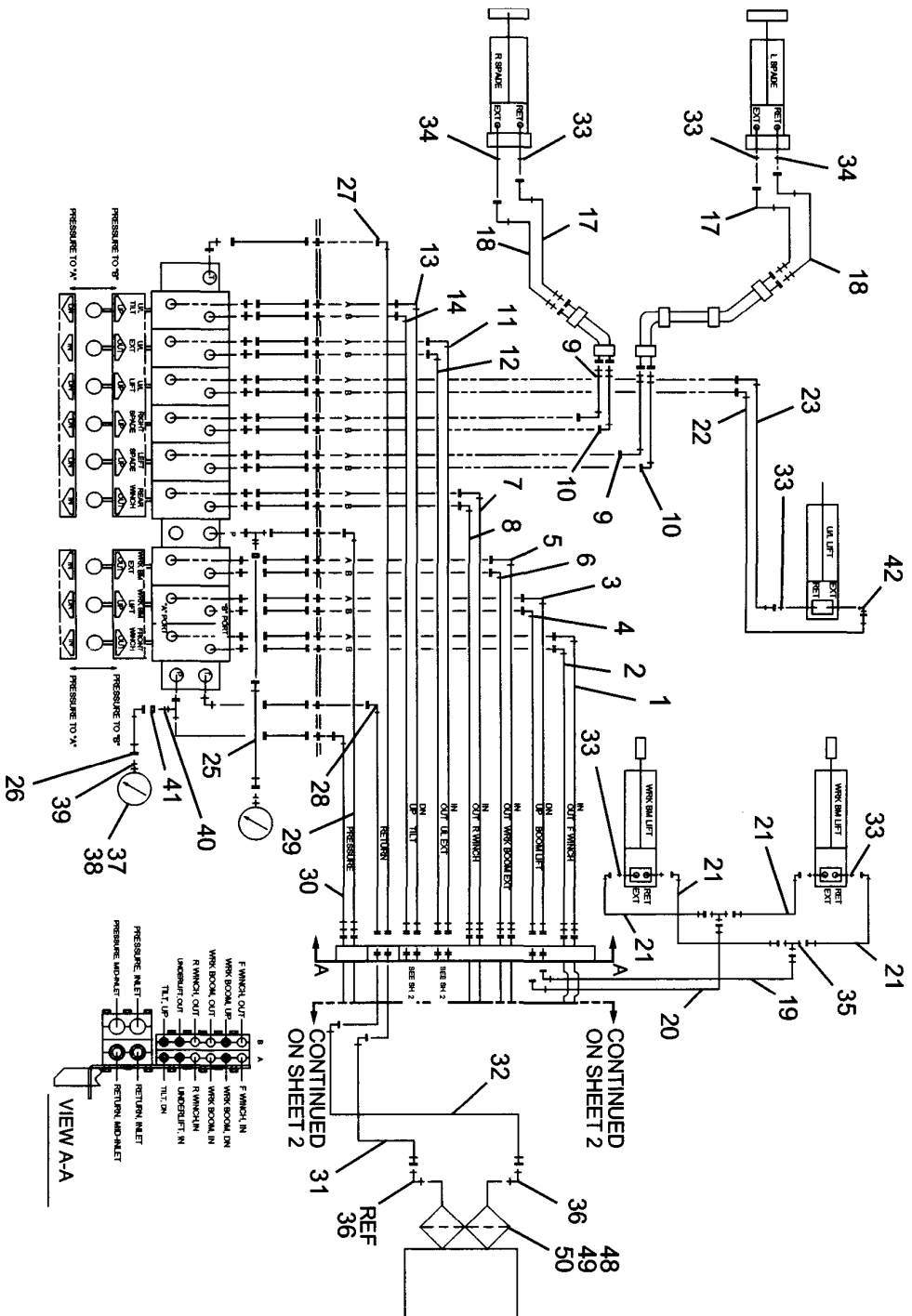
Ref. No.	Part No.	Description	Qty.
1	4569163034	Hose Assy	1
2	4569162034	Hose Assy	1
3	4570000126	Hose Assy	1
4	4570000127	Hose Assy	1
5	4570000128	Hose Assy	1
6	4570000129	Hose Assy	1
7	4569163040	Hose Assy	1
8	4569162040	Hose Assy	1
9A	4570000150	Hose Assy	2
9B	4570000130	Hose Assy	2
10A	4570000151	Hose Assy	2
10B	4570000131	Hose Assy	2
11A	4570000152	Hose Assy	1
11B	4570000132	Hose Assy	1
12A	4570000153	Hose Assy	1
12B	4570000133	Hose Assy	1
13A	4570000154	Hose Assy	1
13B	4570000134	Hose Assy	1
14A	4570000155	Hose Assy	1
14B	4570000135	Hose Assy	1
15	4569160048	Hose Assy	4
16	4570000136	Hose Assy	2
17	4570000137	Hose Assy	2
18	4570000138	Hose Assy	2
19	4570000139	Hose Assy	1
20	4570000140	Hose Assy	1
21	4567122029	Hose Assy	4
22	4570000141	Hose Assy	1
23	4570000142	Hose Assy	1
24	4570000143	Hose Assy	1
25	4567110028	Hose Assy	1
26	4567112024	Hose Assy	1
27	4567183061	Hose Assy	1
28	4567183040	Hose Assy	1
29	4569173054	Hose Assy	1
30	4569173040	Hose Assy	1
31	4567182024	Hose Assy	1
32	4567182029	Hose Assy	1
33	7445060643	Adapter	13
34	7443000109	Adapter	2
35	7445060637	Union	2
36	7445161620	Elbow	2
37	7470000004	Gage	2
38	7790060676	Screw	6
39	7445040421	Fitting	2
40	7443000207	Reducer	2
41	7445120042	Tube Nut	2
42	7445060645	Elbow	1
43	4570000144	Hose Assy	1
44	4570000145	Hose Assy	2
45	4570000146	Hose Assy	1
46	4570000147	Hose Assy	1
47	4570000148	Hose Assy	2
48	7430000004	Oil Filter	2
49	7443000150	Adapter	1
50	7470000002	Gauge	1

A - Used with Driver's Side Controls
 B - Used without Driver's Side Controls

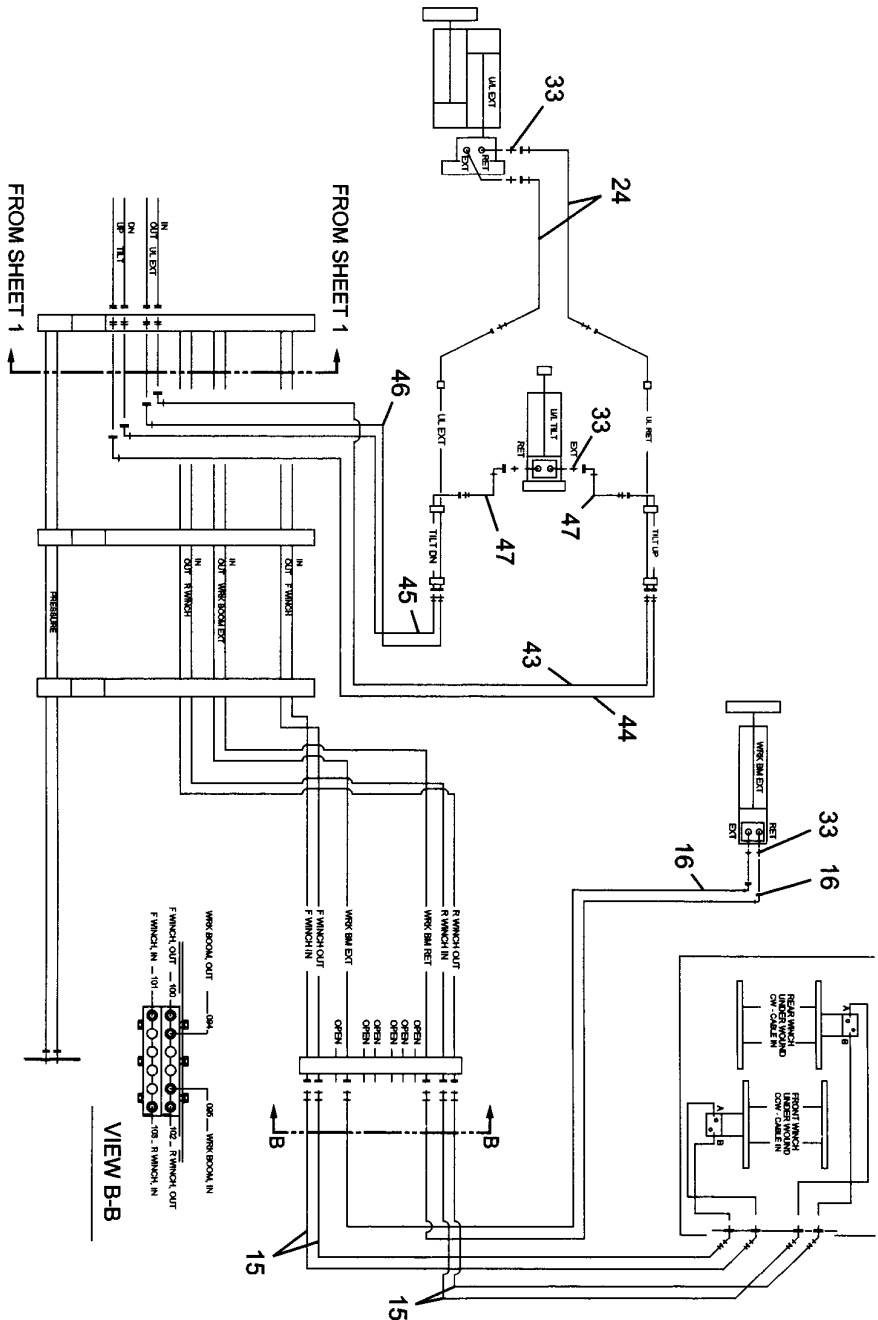


Rev. _____
 Date _____

HYDRAULIC LINES AND FITTINGS



HYDRAULIC LINES AND FITTINGS



F-4

Rev. _____
Date _____

PART LIST — SUPPLY - PRESSURE - RETURN

Ref. No.	Part No.	Description	Qty.
1	7650100137	Nipple	1
2	7444121050	Reducer Bushing	1
3	7935000116	Valve	1
4	7444121271	Elbow	1
5	7443000130	Hose	1
6	7274000028	Clamp	1
7	**	Suction Hose	
8	7443000222	Elbow	1
9	7577000213	Split Flange Fitting Kit	1
10	7724000044	Pump	1
11	7115181050	Hex Head Capscrew	2
12	7950180000	Lockwasher	2
13	7445121645	Elbow	2
14	**	Hose Assy	
15	7430000007	Tank Filter	1
16	4062000207	Bar	5
17	7274000007	Clamp	5
18	7274000008	Clamp	10
19	7115140850	Hex Head Capscrew	10
20	7950140152	Washer	10
21	7660142601	Locknut	10
22	7115181250	Hex Head Capscrew	5
23	7660000011	Nut	5
24	4178000248	Bracket Support	1

**Consult factory for part numbers and quantities

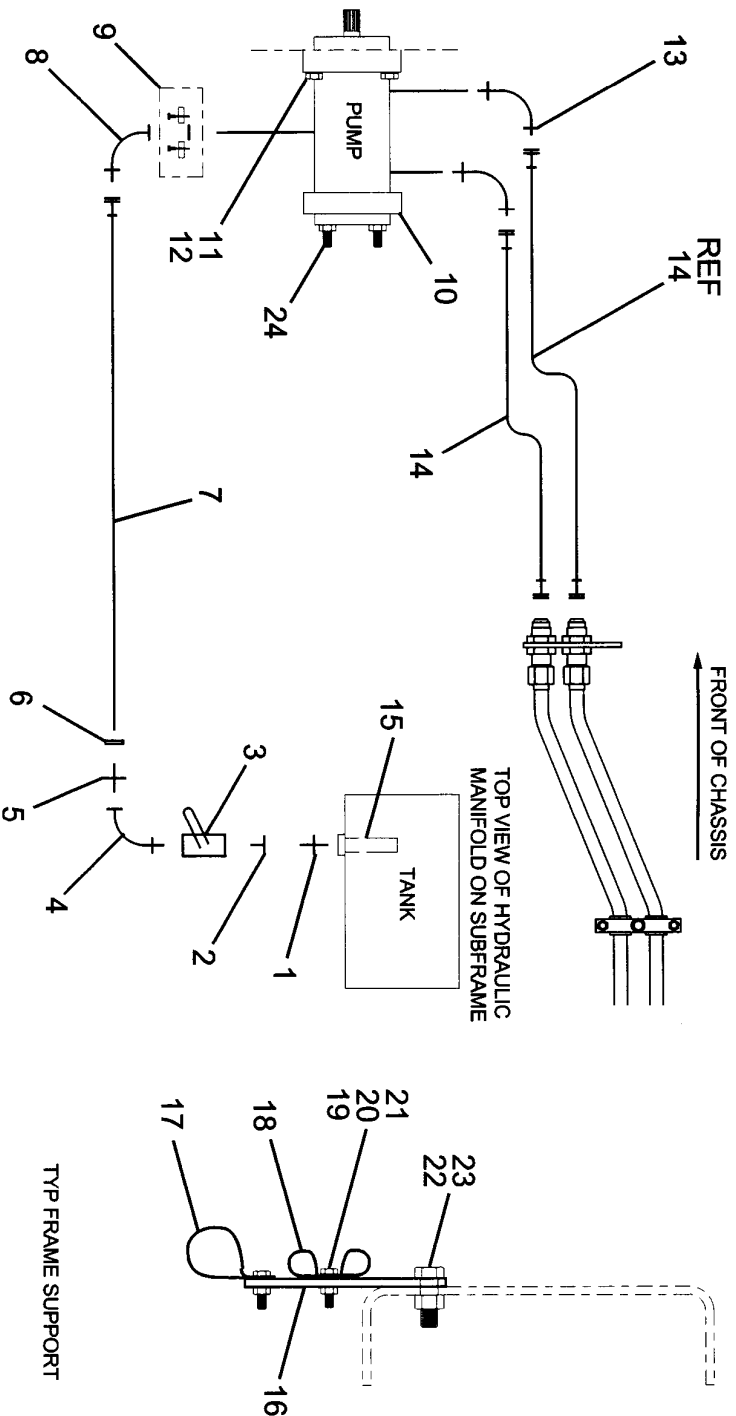


F-6

Rev. _____

Date _____

SUPPLY - PRESSURE - RETURN



PART LIST — BODY WIRING - 86"

Ref. No.	Part No.	Description	Qty.
1	7590000092	Light RH	2
2	7590000093	Light LH	2
3	7114101210	Screw	16
4	7661000024	Nut	16
5	7188000001	Bulb Stop, Tail, Turn	4
6	7188000002	Bulb Back Up	4
7	7590000094	Compartment Light w/Switch	4
8	7790100856	Screw	16
9	7552000090	Wiring Harness - Right Side	1
10	7740000001	Relay	3
11	7552000146	Wiring Harness - Left Side	1
12	7457000011	Fuse 10 Amp	3
13	7457000006	Fuse 15 Amp	1
14	7457000012	Fuse 20 Amp	6
15	7870000043	Breaker 150 Amp	1
16	7115140650	Hex Head Capscrew	6
17	7661000023	Lockwasher	10
18	7115140425	Screw	1
19	7870000044	Switch Panel Power Distribution	1
20	7115101411	Screw	4
21	7661000002	Hex Nut	12
22	4346000003	Junction Box	1
23	7493000014	Grommet	3
24	7950140151	Flatwasher	6
25	7660142601	Locknut	6
26	7590000104	Light Clearance	2
27	7346000076	Gasket Clearance Light	2
28	7346000077	Guard Clearance Light	2
29	7114100610	Screw	8
30	7493000011	Grommet	3
31	7345242202	Terminal Ring	1
32	7345222202	Terminal Ring	3
33	7978000011	Cable Welding	25 ft.
34	8597650001	Loom	25 ft.
35	7590000105	Light License Plate	1
36	7178000025	Bracket License Plate	1
37	7114100618	Capscrew	8
38	7274000036	Clamp	8
39	7493000017	Grommet	2
40	7660102601	Nut	8
41	7894000031	Cable	4
42	7790141656	Screw	4
43	7345211702	Terminal Ring	5

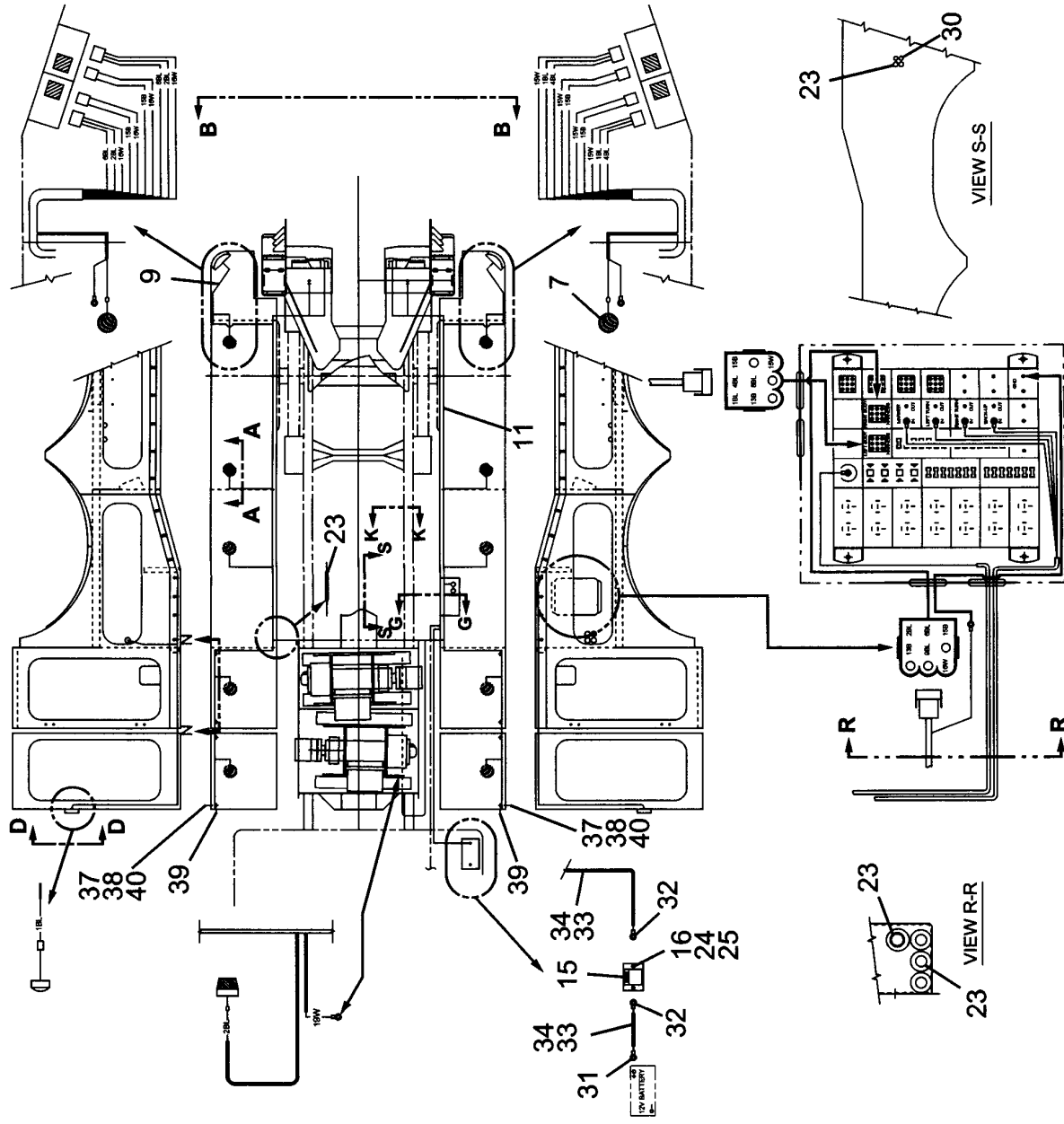


F-8

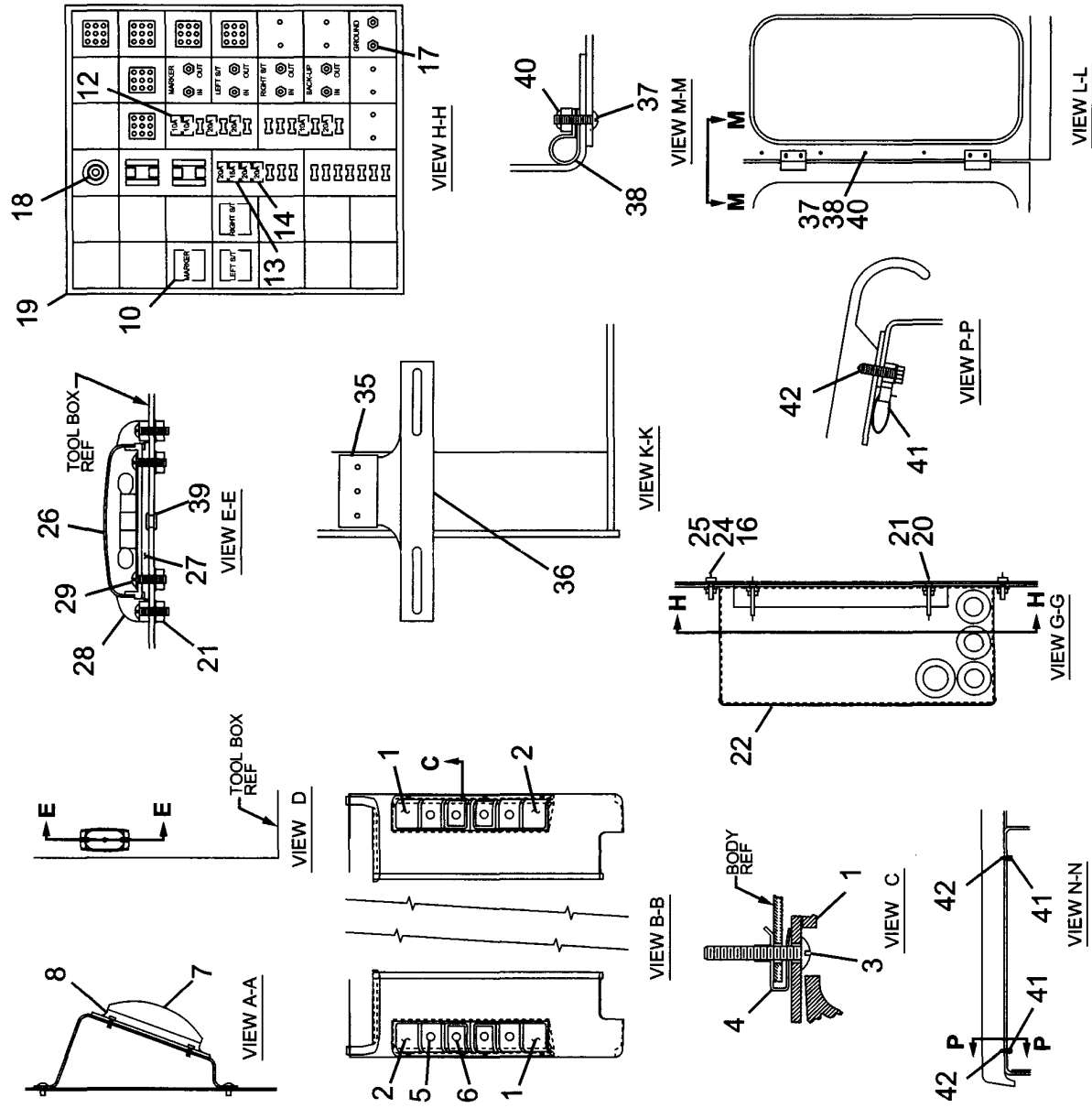
Rev. _____

Date _____

BODY WIRING - 86"



BODY WIRING - 86"



Rev. _____
Date _____



PARTS LIST — BODY WIRING - 146"

Ref. No.	Part No.	Description	Qty.
1	759000092	Light RH	2
2	759000093	Light LH	2
3	7114101210	Screw	16
4	766100024	Nut	16
5	718800001	Bulb Stop, Turn, Tail	4
6	718800002	Bulb Back Up	4
7	759000094	Compartment Light w/Switch	4
8	7790100856	Screw	16
9	7552000123	Body Harness RH	1
10	7740000001	Relay	3
11	7552000124	Body Harness LH	1
12	7457000011	Fuse 10 Amp	3
13	7457000006	Fuse 15 Amp	1
14	7457000012	Fuse 20 Amp	6
15	7870000043	Breaker 150 Amp	1
16	7115140650	Capscrew	6
17	766100023	Lockwasher	10
18	7115140425	Screw	1
19	7870000044	Switch Panel Power Distribution	1
20	7115101411	Screw	4
21	7661000002	Hex Nut	12
22	4346000004	Junction Box	1
23	7493000014	Grommet	3
24	7950140151	(See 7950140141)	6
25	7660142601	Locknut	6
26	7590000104	Light Clearance	2
27	7346000076	Gasket Clearance Light	2
28	7346000077	Guard Clearance Light	2
29	7114100610	Screw	8
30	7493000011	Grommet	3
31	7345242202	Terminal Ring	1
32	7345222202	Terminal	3
33	7978000011	Cable Welding	25 ft.
34	8597650001	Loom	25 ft.
35	7590000105	Light License Plate	1
36	7178000025	Bracket License Plate	1
37	7114100618	Capscrew	8
38	7274000036	Clamp	8
39	7493000017	Grommet	2
40	7660102601	Nut	8
41	7894000031	Cable	4
42	7790141656	Screw	4
43	7345211702	Terminal	5

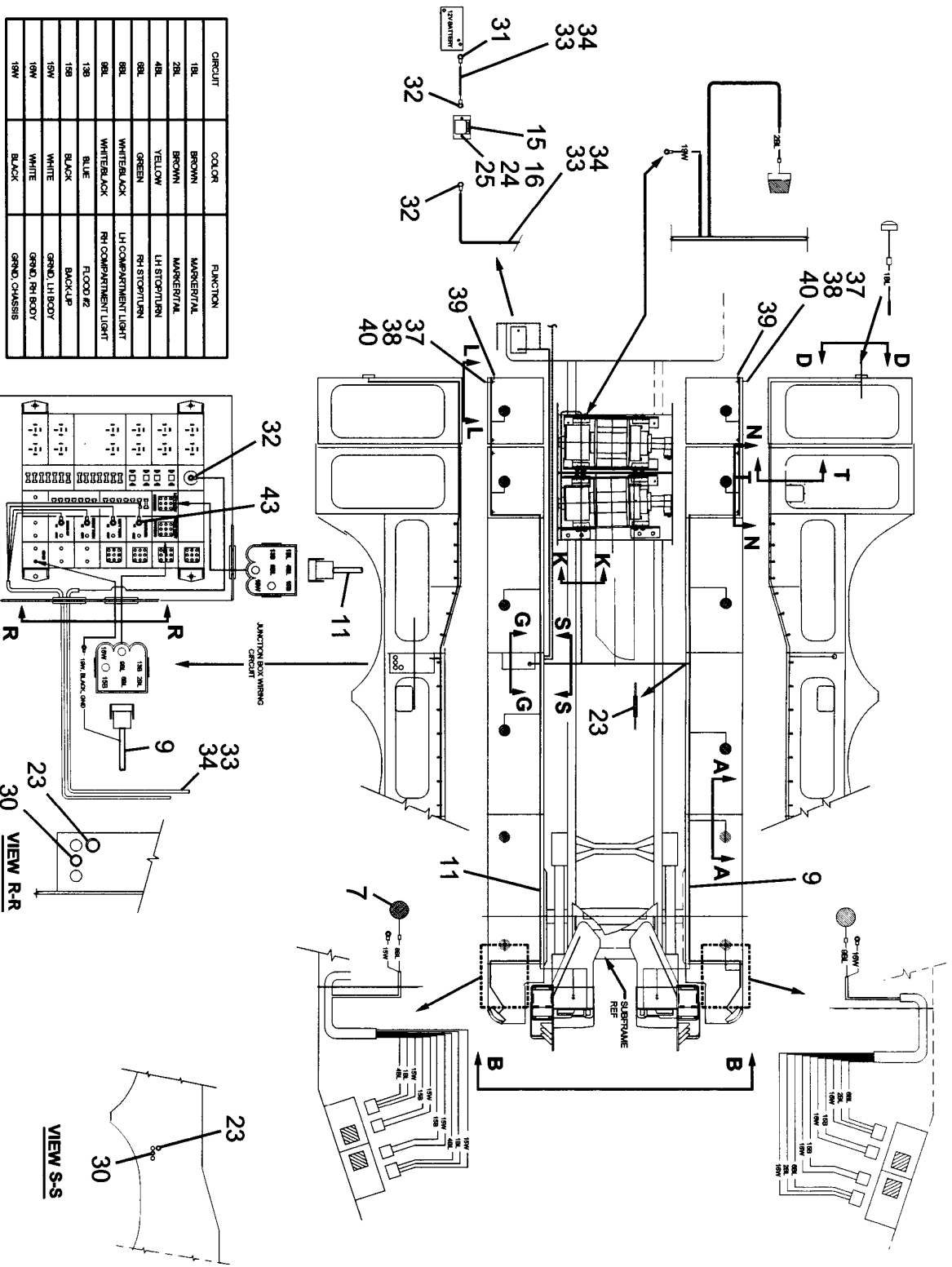


F-12

Rev. _____

Date _____

BODY WIRING - 146"



CIRCUIT	COLOR	FUNCTION
1BL	BROWN	MARKER/TAIL
2BR	BROWN	MARKER/TAIL
4BL	YELLOW	LH STOP/TURN
8BL	GREEN	RH STOP/TURN
8BL	WHITE/BLACK	LH COMPARTMENT LIGHT
8BL	WHITE/BLACK	RH COMPARTMENT LIGHT
13B	BLUE	FLOOD #2
13B	BLACK	BACKUP
15W	WHITE	GRND. LH BODY
16W	WHITE	GRND. RH BODY
18W	BLACK	GRND. CHASSIS



F-13

Rev. _____
Date _____

PARTS LIST — SWITCH PANEL WIRING

Ref. No.	Part No.	Description	Qty.
1	7345001910	Tab	4
2	7345001710	Tab	5
3	7493000003	Grommet	1
4	7552000092	Switch Harness	1
5	7493000011	Grommet	5
6	7345222202	Ring Terminal	3
7	7661000023	Hex Nut w/ Lockwasher	6
8	7345211702	Ring Terminal	7
9	7457000012	20 Amp Fuse	3
10	7457000023	20 Amp Fuse	2
11	7870000043	Circuit Breaker	1
12	7950140151	Flatwasher	2
13	7660142601	Locknut	2
14	7115140650	Capscrew	2
15	7978000011	Cable	25 ft.
16	8597650001	Loom	25 ft.
17	7345242202	Ring Terminal	1
18	7345211902	Ring Terminal	2



F-16

Rev. _____

Date _____

PARTS LIST — REMOTE CONTROL WIRING

Ref. No.	Part No.	Description	Qty.
1	7552000148	Harness Remote	1
2	7552000149	Harness Solenoid Control	1
3	7295000034	Controller Hand	1
4	7493000011	Grommet	3
5	7493000014	Grommet	1
6	7701000007	Plug	1
7	7701000032	Plug	1
8	7346000068	Dust Cap	1
9	7457000011	10 Amp Fuse	1
10	7740000001	Relay	1
11	7457000019	5 Amp Fuse	1
12	7330000247	Decal Remote Control	1

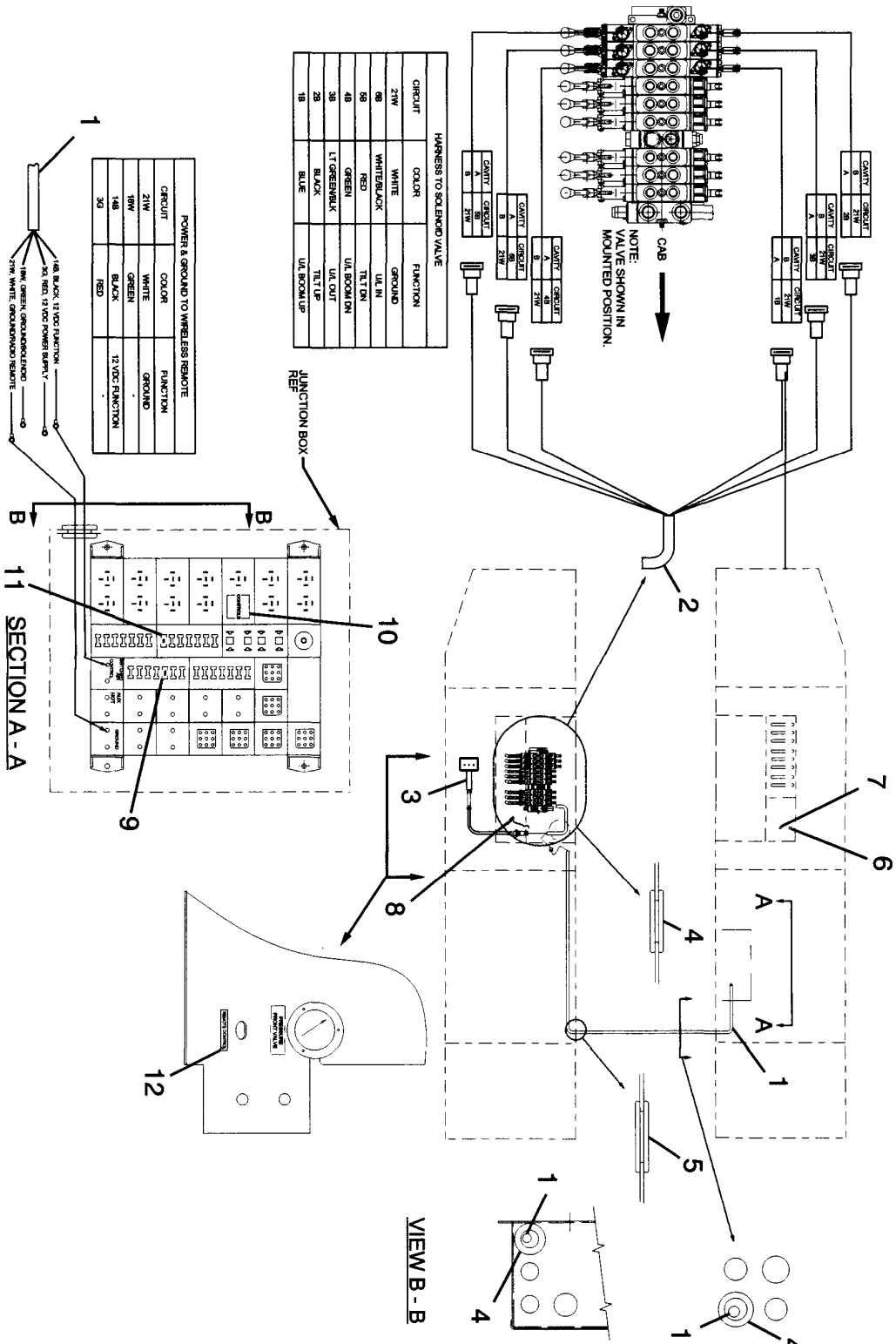


F-18

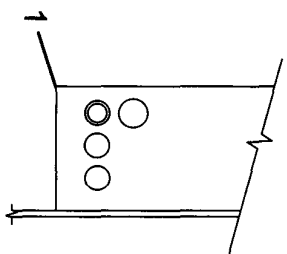
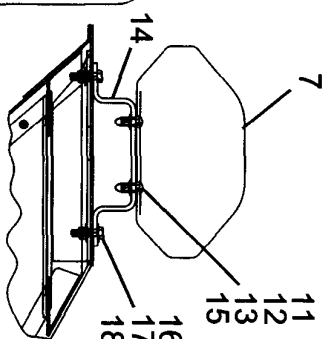
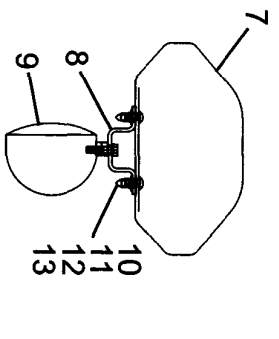
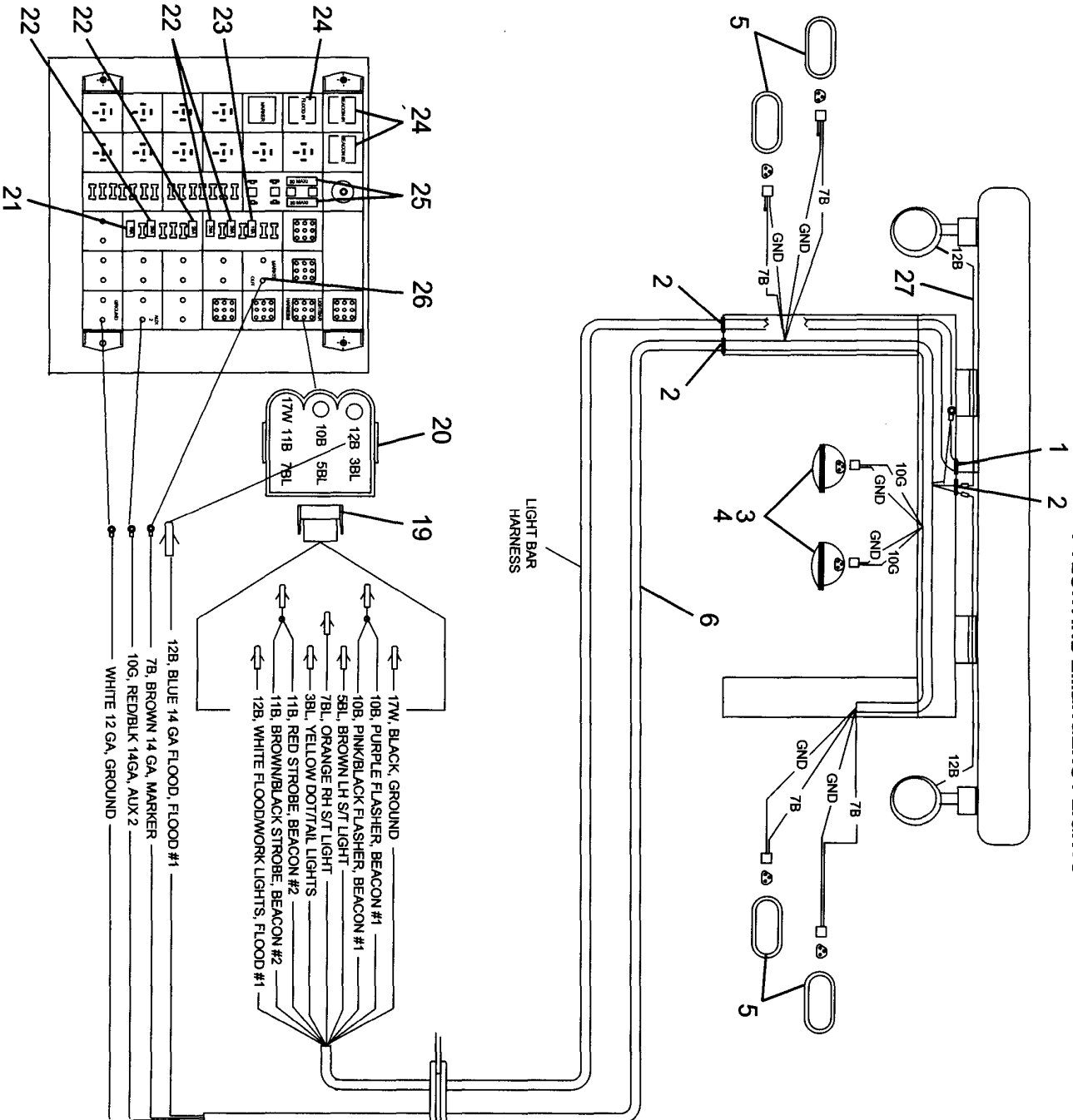
Rev. _____

Date _____

REMOTE CONTROL WIRING



PYLON AND EMERGENCY LIGHTS



SIDE VIEW OF JUNCTION BOX



F-20

Rev. _____
Date _____

PARTS LIST — PYLON AND EMERGENCY LIGHTS

Ref. No.	Part No.	Description	Qty.
1	7493000011	Grommet	5
2	7493000003	Grommet	3
3	7590000127	Dome Light	2
4	7493000002	Grommet	2
5	7590000095	Marker Light Assembly	4
6	7552000125	Headboard/Work Light Harness	1
7	7590000157	Light Bar	1
8	4178000207	Bracket	2
9	7590000096	Work Light	2
10	7115150664	Carriage Bolt	4
11	7950150000	Lockwasher	8
12	7950150161	Flatwasher	8
13	7660152200	Acorn Nut	8
14	4178000234	Bracket	2
15	7115150864	Carriage Bolt	4
16	7115161250	Capscrew	8
17	7950160161	Flatwasher	16
18	7660162601	Locknut	8
19	7577000173	Plug Kit	1
20	7346000075*	Connector	1
21	7457000011	10 Amp Fuse	1
22	7457000012	20 Amp Fuse	4
23	7457000006	15 Amp Fuse	1
24	7740000001	Relay	3
25	7457000013	30 Amp Fuse	2
26	7661000023	Hex Nut w/Lockwasher	2
27	8594100002	Loom	6

* If alternative is used and lightbar not required, use this item.



F-21

Rev. _____

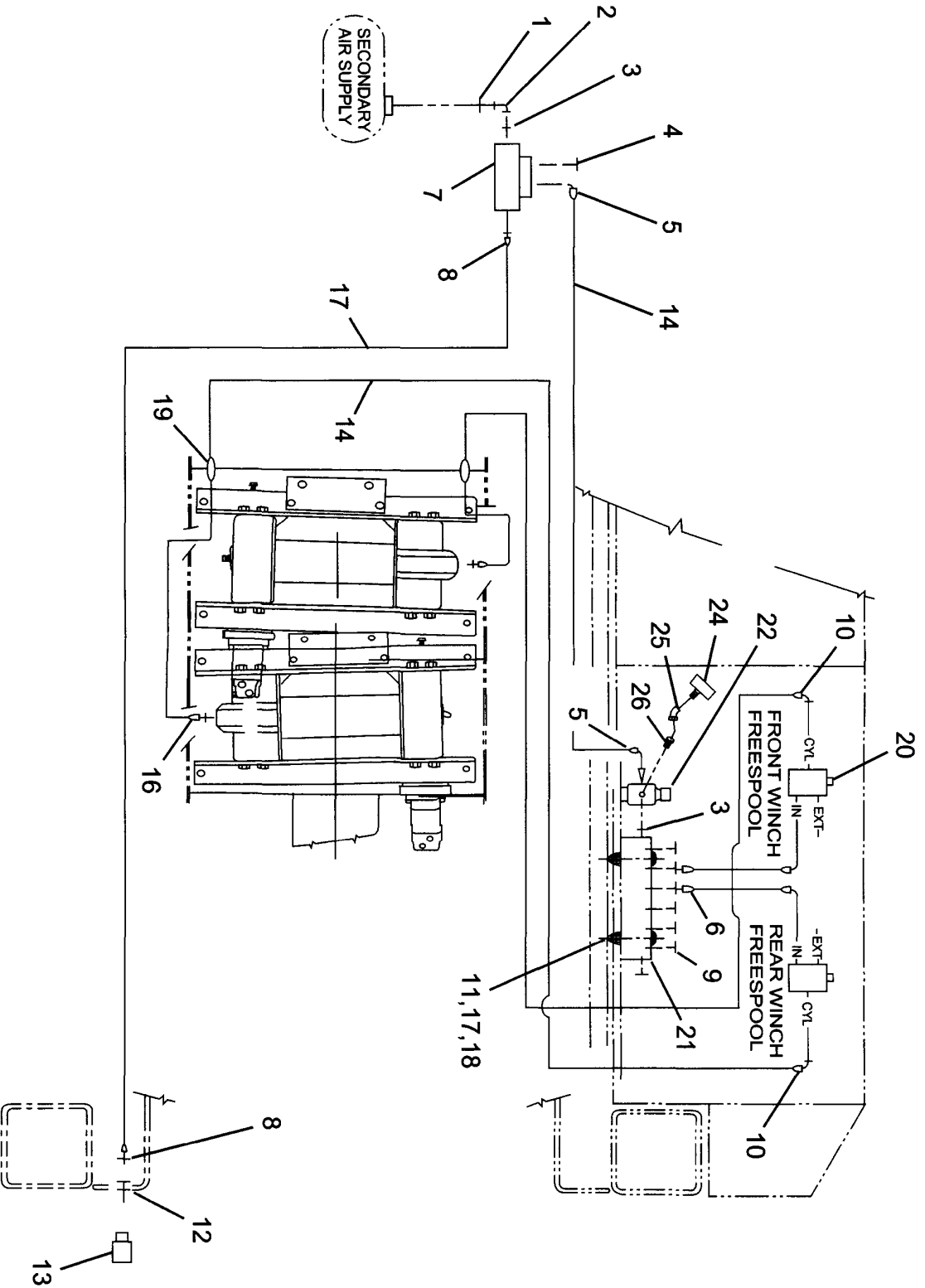
Date _____

**PARTS LIST — WINCH AND AUXILIARY AIR
25,000 LB RAMSEY WORM GEAR**

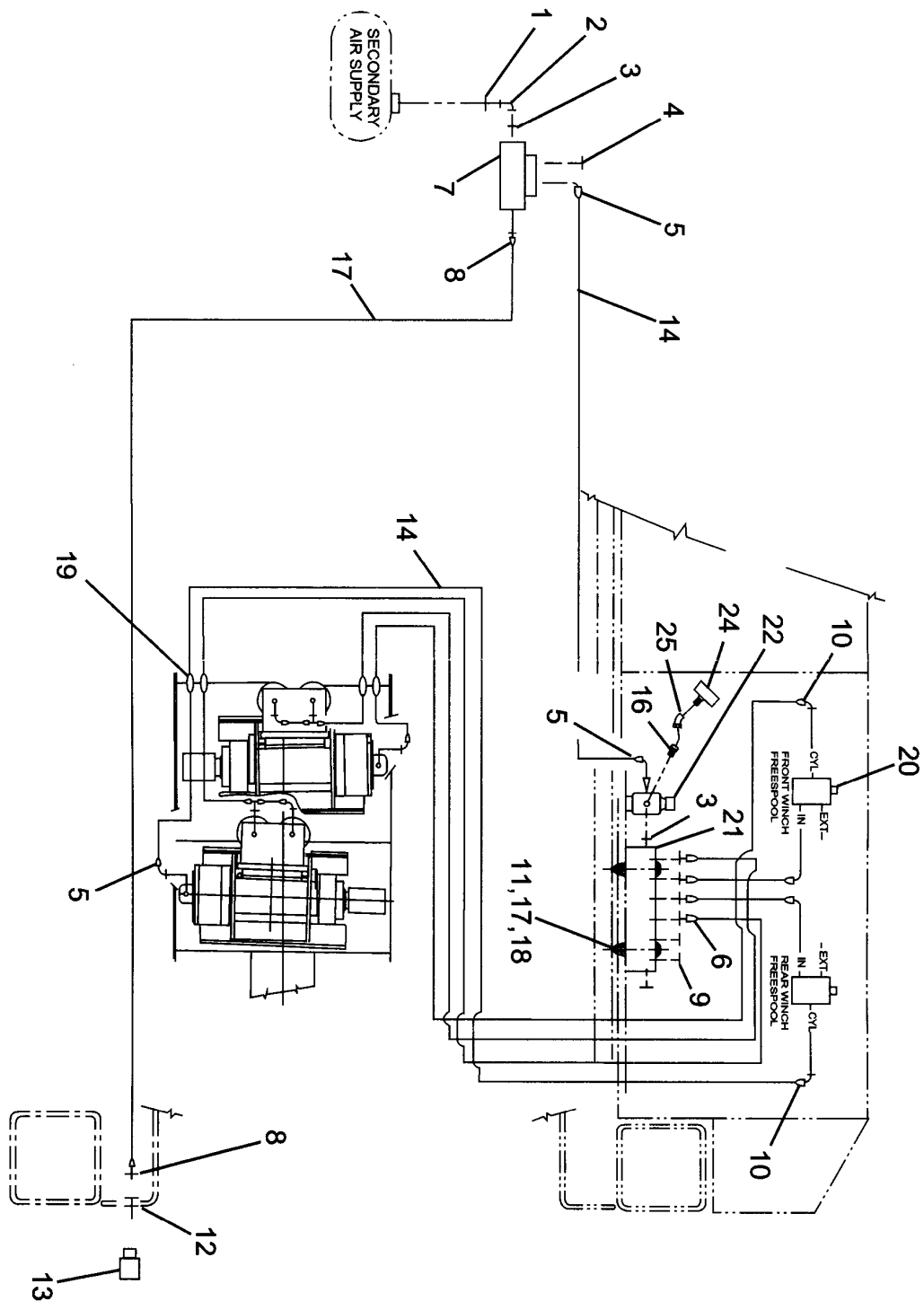
Ref. No.	Part No.	Description	Qty.
1	7443000154	Bushing	1
2	7443000155	Fitting	1
3	7443000156	Nipple	2
4	7443000152	Plug	1
5	7443000139	Fitting	2
6	7443000138	Fitting	2
7	7935000120	Valve	1
8	7443000175	Tube Fitting	2
9	7444020013	Pipe Plug	5
10	7443000173	Tube Fitting	4
11	7950140161	Flatwasher	4
12	7446502518	Clamping Stud	1
13	7312000017	Coupling	1
14	7565000016	Air Line Tubing	75 ft.
15	7565000014	Air Line Tubing	25 ft.
16	7443000177	Tube Fitting	2
17	7115142450	Hex Head Capscrew	2
18	7660142601	Locknut	2
19	7443000178	Union	2
20	7935000136	Valve	2
21	4619000005	Air Manifold	1
22	7295000029	Air Regulator	1
23	7950140161	Flatwasher	4
24	7470000006	Air Pressure Gauge	1
25	7443000066	Fitting	1
26	7443000149	Bushing	1



WINCH AND AUXILIARY AIR 25,000 LB RAMSEY WORM GEAR



WINCH AND AUXILIARY AIR 35,000 LB DP PLANETARY GEAR



**PARTS LIST—WINCH AND AUXILIARY AIR
35,000 LB DP PLANETARY GEAR**

Ref. No.	Part No.	Description	Qty.
1	7443000154	Bushing	1
2	7443000155	Fitting	1
3	7443000156	Nipple	2
4	7443000152	Plug	1
5	7443000139	Fitting	4
6	7443000138	Fitting	4
7	7935000120	Valve	1
8	7443000175	Tube Fitting	2
9	7444020013	Pipe Plug	3
10	7443000173	Tube Fitting	4
11	7950140161	Flatwasher	4
12	7446502518	Clamping Stud	1
13	7312000017	Coupling	1
14	7565000016	Air Line Tubing	100 ft.
15	7565000014	Air Line Tubing	25 ft.
16	7443000149	Bushing	1
17	7115142450	Hex Head Capscrew	2
18	7660142601	Locknut	2
19	7443000178	Union	4
20	7935000136	Valve	2
21	4619000005	Air Manifold	1
22	7295000029	Air Regulator	1
23	7950140161	Flatwasher	4
24	7470000006	Air Pressure Gauge	1
25	7443000066	Fitting	1



F-25

Rev. _____

Date _____

PARTS LIST — GLAD HAND INSTALLATION

Ref. No.	Part No.	Description	Qty.
1	7312000016	Emergency Glad Hand	1
2	7577000145	Seal Kit	1
3	7312000015	Service Glad Hand	1
4	7443000145	Bushing	2
5	7443000146	Elbow	2
6	7443000148	Bushing	2
7	7446382506	Connector	4
8	7565000014	Air Line	50 ft.
9	7446502518	Clamping Stud	2

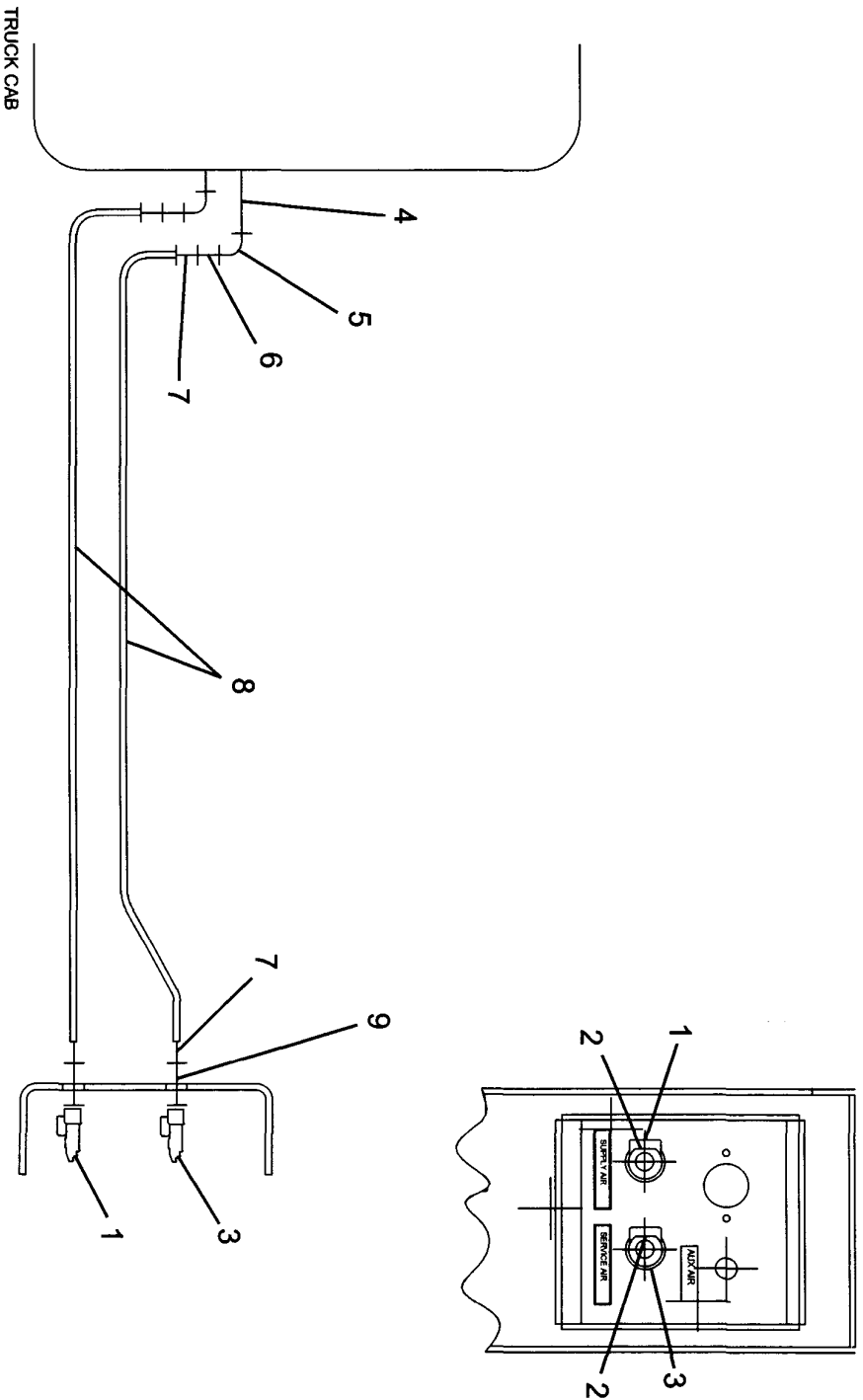


F-26

Rev. _____

Date _____

GLAD HANDS



PARTS LIST — DECAL INSTALLATION

Ref. No.	Part No.	Description	Qty.
1	7330000211	Decal Safety Warning	1
2	7330000122	Nameplate	1
3	7330000037	Nameplate	2
4	7330000193	Decal Wheel Lift Caution	2
5	7330000202	Decal Shock Warning	1
6	7330000203	Decal "Warning-Power Lines"	2
7	7330000034	Nameplate	1
8	7330000108	Nameplate	2
9	7330000294	Decal Jerr-Dan Logo	2
10	7330000196	Decal Circle "J"	2
11	7330000341	Decal Lubrication	1
12	7330000189	Placecard	1
13	7330000143	Decal "Proudly Made in the USA"	1
14	7759000004	Pop Rivet	10
15	7330000284	Patent Placard	1
16	7330000207	Decal Fuse Panel Schematic	1
17	7330000208	Placard	1
18	7330000209	Placard	1
19	7330000210	Placard	1
20	7330000139	Decal Checklist	1
21	7330000270	Decal Lubrication Chart	1



F-28

Rev. _____

Date _____

DECAL INSTALLATION

