

\$7.50

3 CAR CARRIER

**OPERATIONS, MAINTENANCE,
AND PARTS MANUAL**

JERR-DAN.

An Oshkosh Truck Corporation Company

1080 Hykes Road
Greencastle, PA 17225

Phone (717) 597-7111

www.jerr-dan.com

PARTS LIST — 28' DECK

Ref. No.	Part No.	Description	Qty.
1	3097000349	28 Steel Deck 3 CAR	1
2	3017000077	Rail - Right Front	1
3	3017000079	Rail - Right Rear	1
4	3017000076	Rail - Left Front	1
5	3017000078	Rail - Left Rear	1
6	7120000005	Capscrew	14
7	7590000048	Marker Light	4
	7493000009	Grommet	4
8	7590000047	Marker Light	2
	7493000009	Grommet	2
9	7590000090	Marker Light	2
	7493000010	Grommet	2
10	3062000011	Striker	1
11	7552000181	Harness	1

JERR-DAN

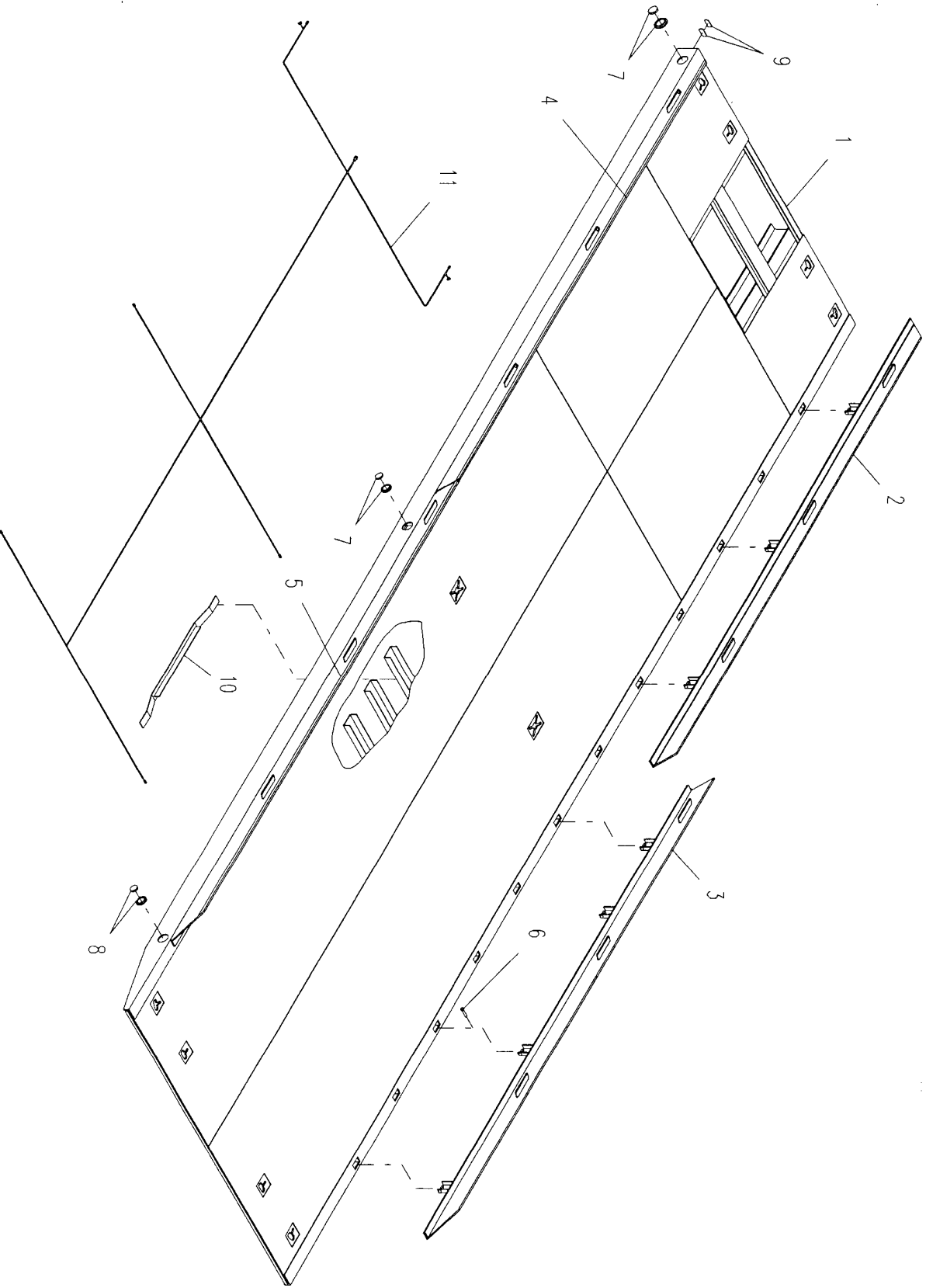
An Oshkosh Truck Corporation Company

4.2

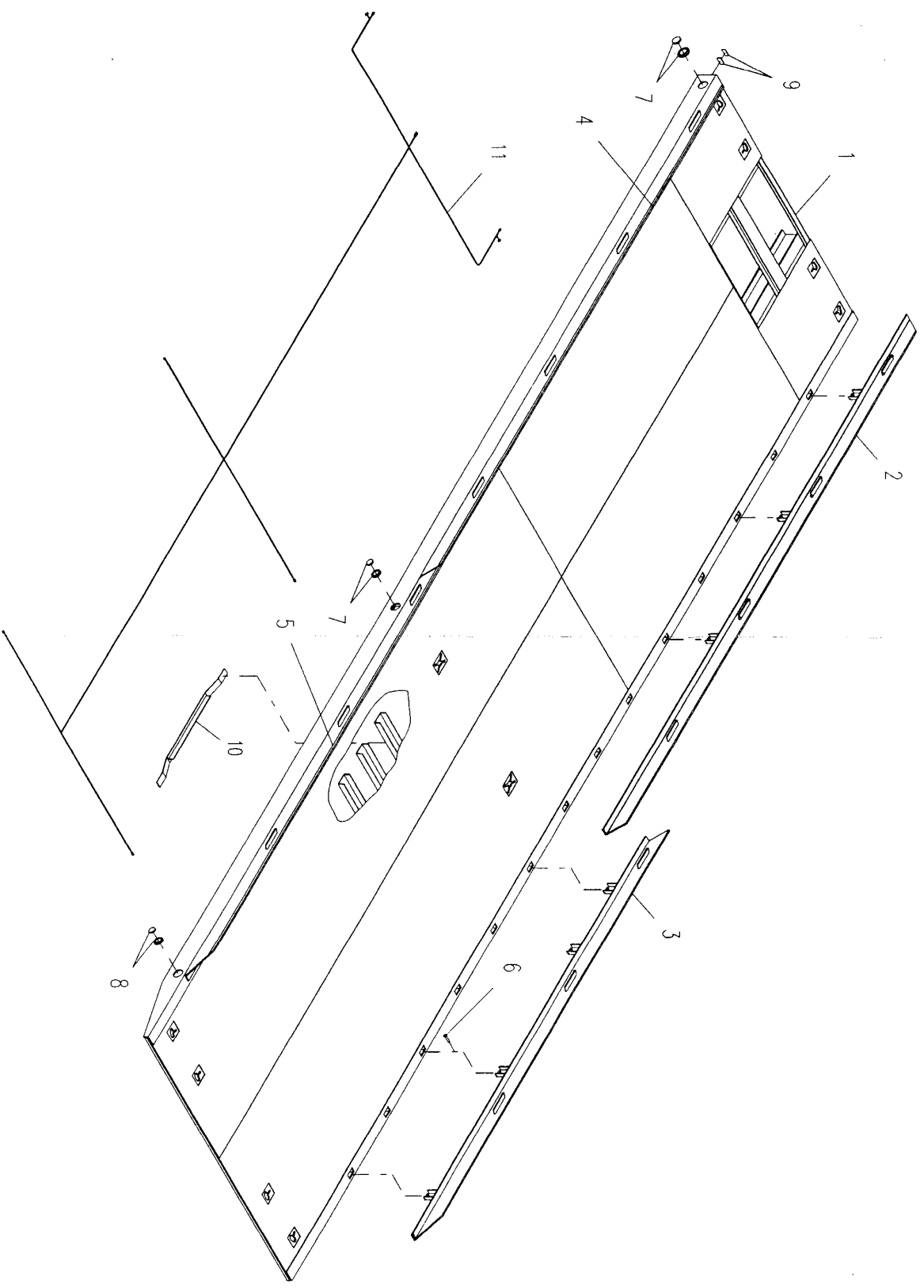
Rev. _____

Date _____

STEEL MAIN DECK



30' STEEL MAIN DECK



PARTS LIST — 30' DECK

Ref. No.	Part No.	Description	Qty.
1	3097000353	30' Main Steel 3 Car Deck	1
2	3017000081	Rail - Right Front	1
3	3017000083	Rail - Right Rear	1
4	3017000080	Rail - Left Front	1
5	3017000081	Rail - Left Rear	1
6	7120000005	Capscrew	16
7	7590000048	Marker Light	4
	7493000009	Grommet	4
8	7590000047	Marker Light	2
	7493000009	Grommet	2
9	7590000090	Marker Light	2
	7493000010	Grommet	2
10	3062000011	Striker	1
11	7552000198	Harness	1

JERR-DAN

An Oshkosh Truck Corporation Company

4.5

Rev. _____

Date _____

PARTS LIST - STEEL UPPER DECK

Ref. No.	Part No.	Description	Qty.
1	3097000348	Steel 3 Car Upper Deck	1
2	7590000048	Marker Light	2
	7493000009	Grommet	2
3	7590000090	Marker Light	2
	7590000207	Chrome Adapter Ring	2
4	7590000206	3 Bar Light	1
5	7115141450	Capscrew	2
6	7950100151	Flatwasher	2
7	7660142601	Locknut	2
8	7552000196	Harness	1
9	4017000985	Rail	1
10	4017000986	Rail	1
11	7115181250	Capscrew	16
12	7950180143	Flatwasher	16
13	7660182601	Locknut	16

JERR-DAN

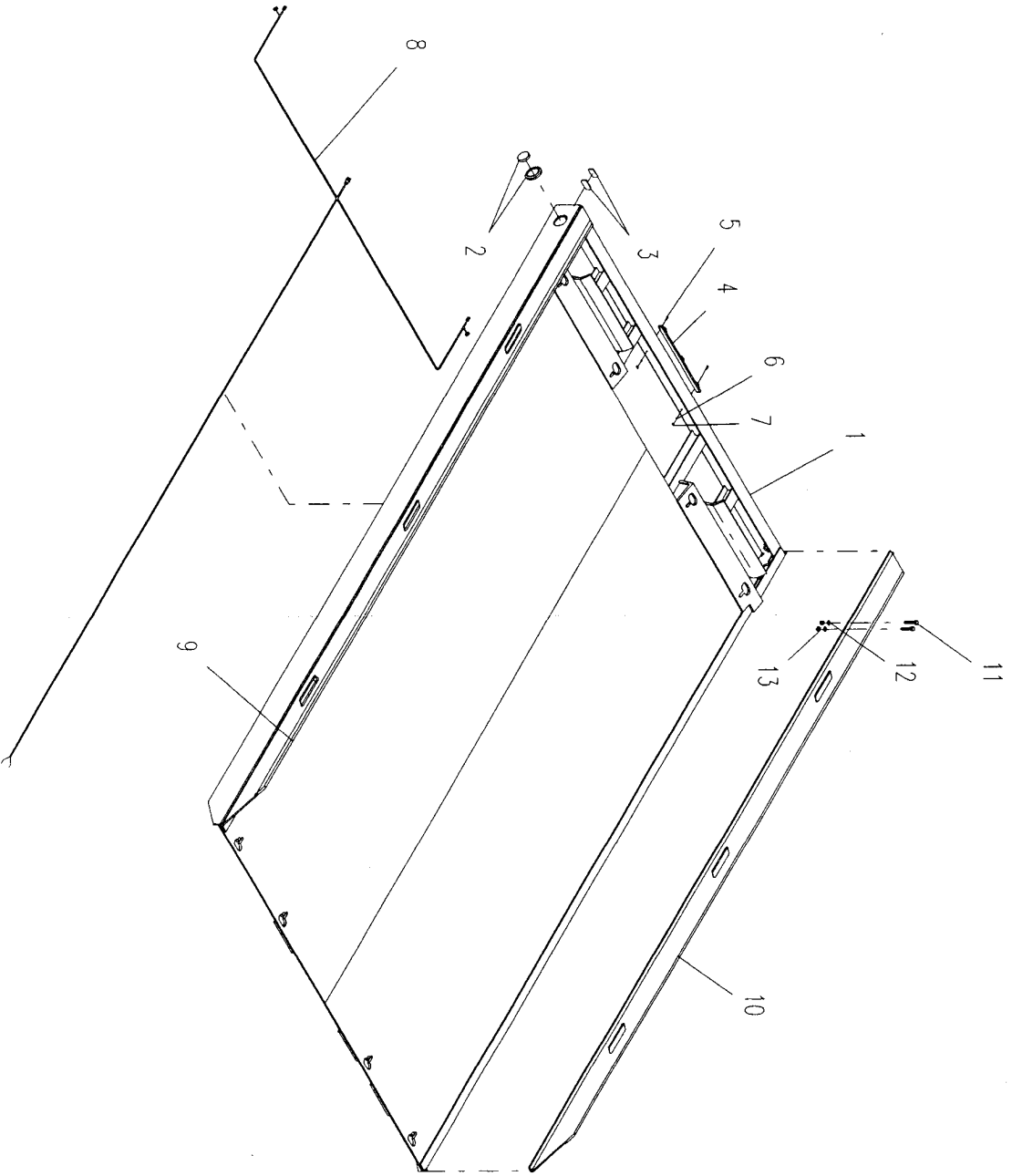
An Oshkosh Truck Corporation Company

4.6

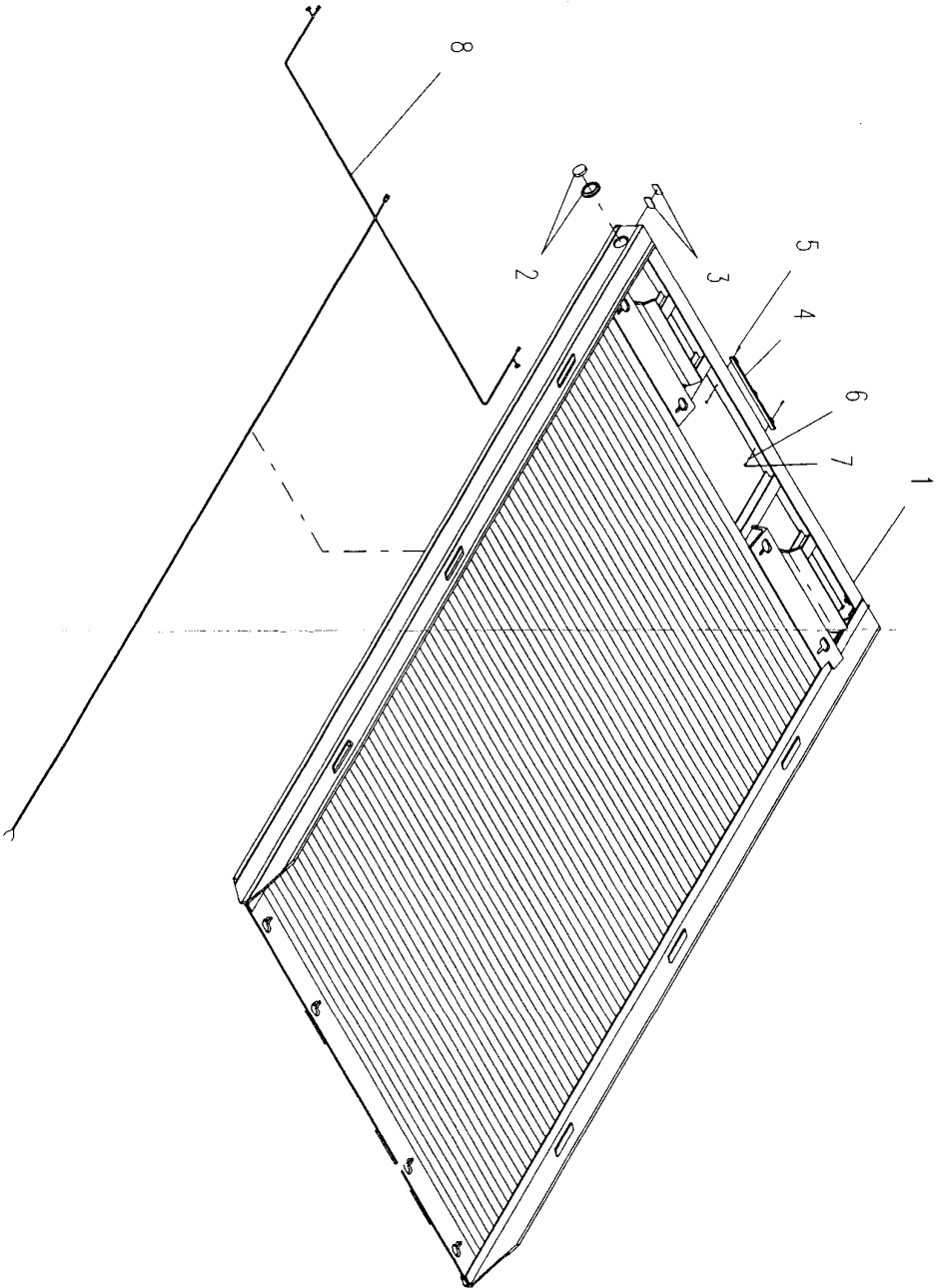
Rev. _____

Date _____

~ FEL UPPER DECK



ALUMINUM UPPER DECK



PARTS LIST - ALUMINUM UPPER DECK

Ref. No.	Part No.	Description	Qty.
1	3097000350	Aluminum 3 Car Upper Deck	1
2	7590000048	Marker Light	2
	7493000009	Grommet	2
3	7590000090	Marker Light	2
	7590000207	Chrome Adapter Ring	2
4	7590000206	3 Bar Light	1
5	7115141450	Capscrew	2
6	7950100151	Flatwasher	2
7	7660142601	Locknut	2
8	7552000196	Harness	1

JERR-DAN

An Oshkosh Truck Corporation Company

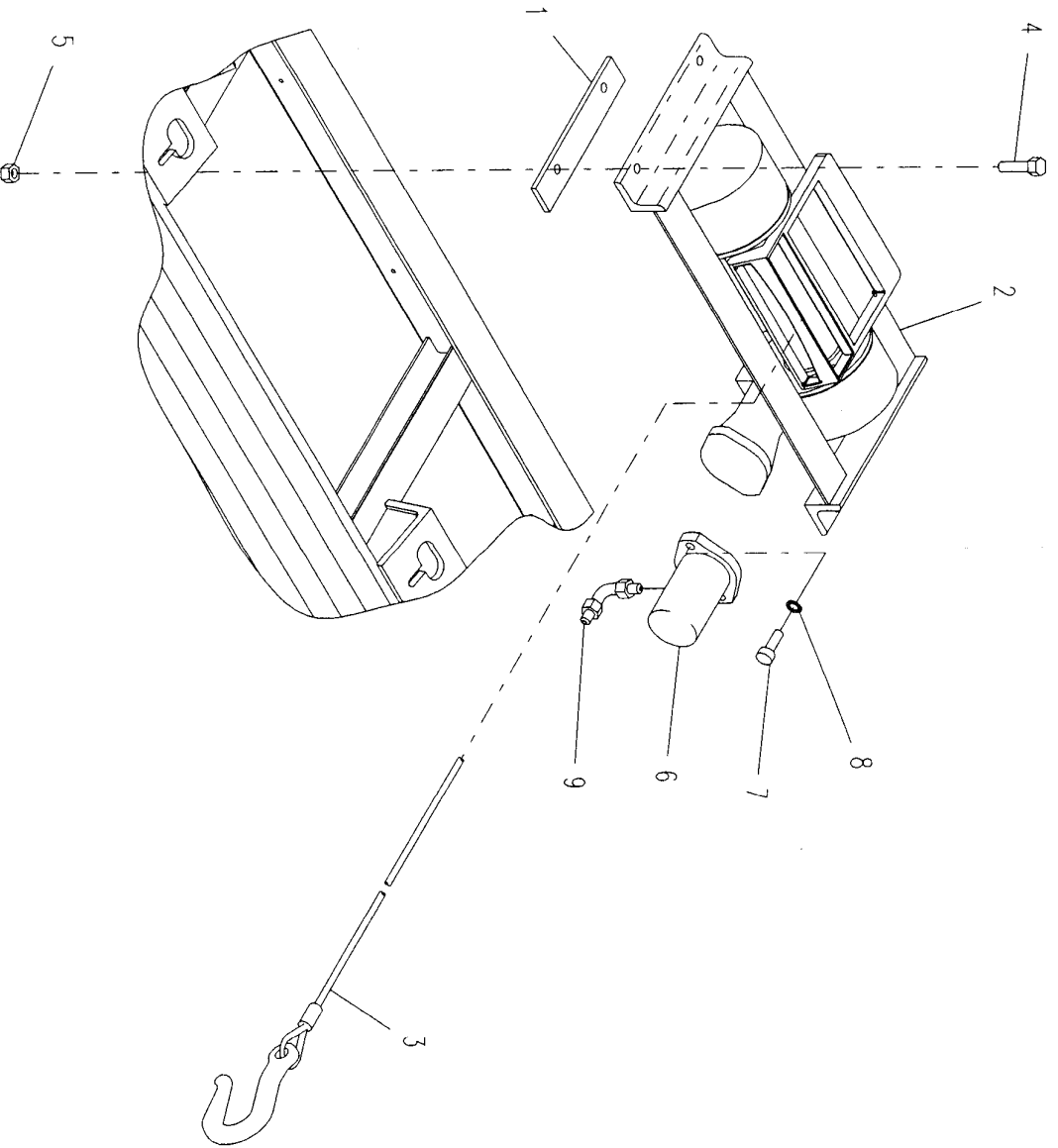
Rev. _____

Date _____

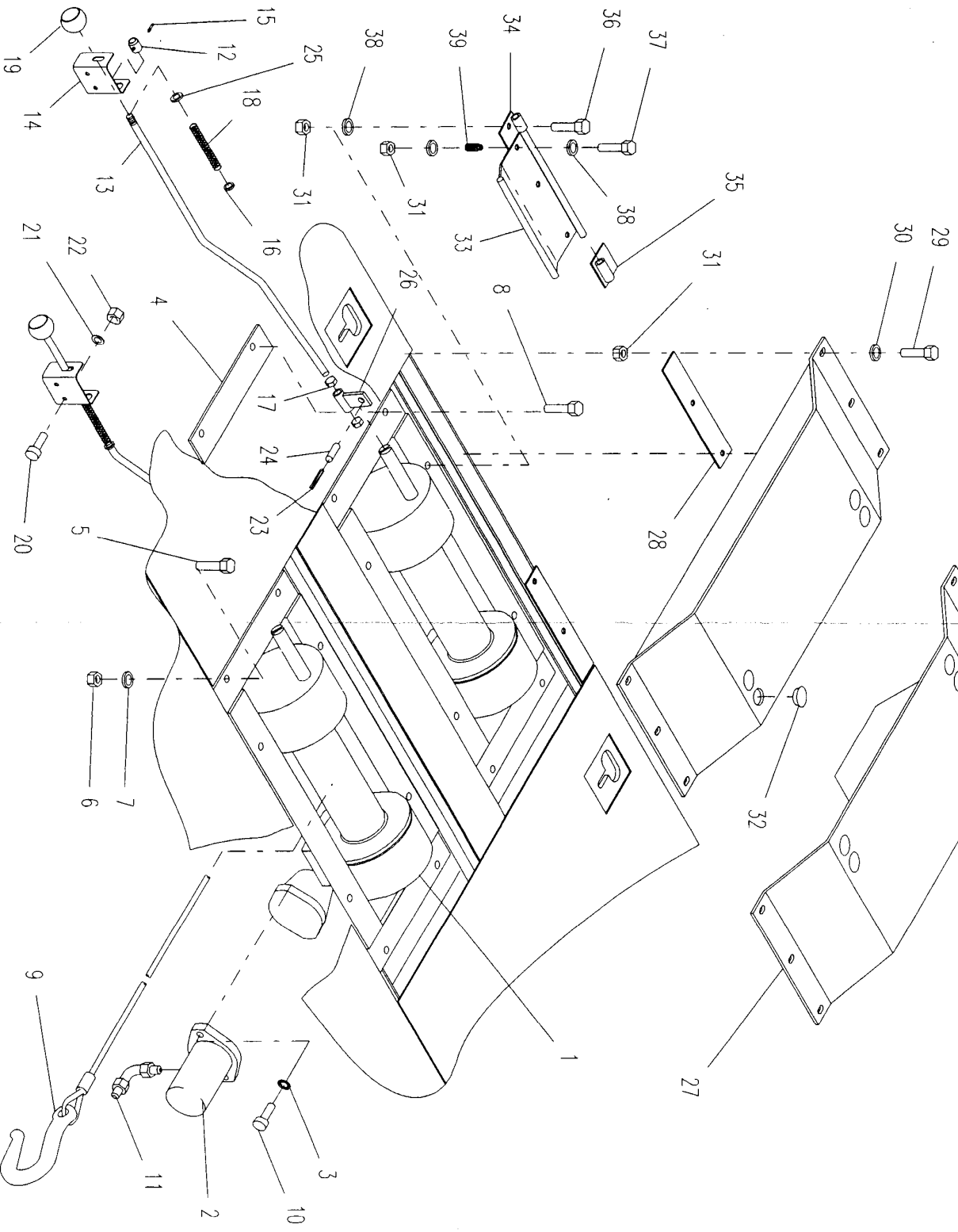
PARTS LIST — UPPER WINCH

Ref. No.	Part No.	Description	Qty.
1	4706003219	Plate	2
2	7970000089	Winch	1
3	7248000069	Cable	1
4	7115181450	Capscrew	4
5	7660182601	Locknut	4
6	7626000014	Orbit Motor	1
7	7115181450	Capscrew	2
8	7950180400	Lockwasher	2
9	7445081045	Fitting	2

JPPER WINCH



DUAL MAIN DECK WINCHES



JERRIDAN
 An Oshkosh Truck Corporation Company

4.12

Rev. _____
 Date _____

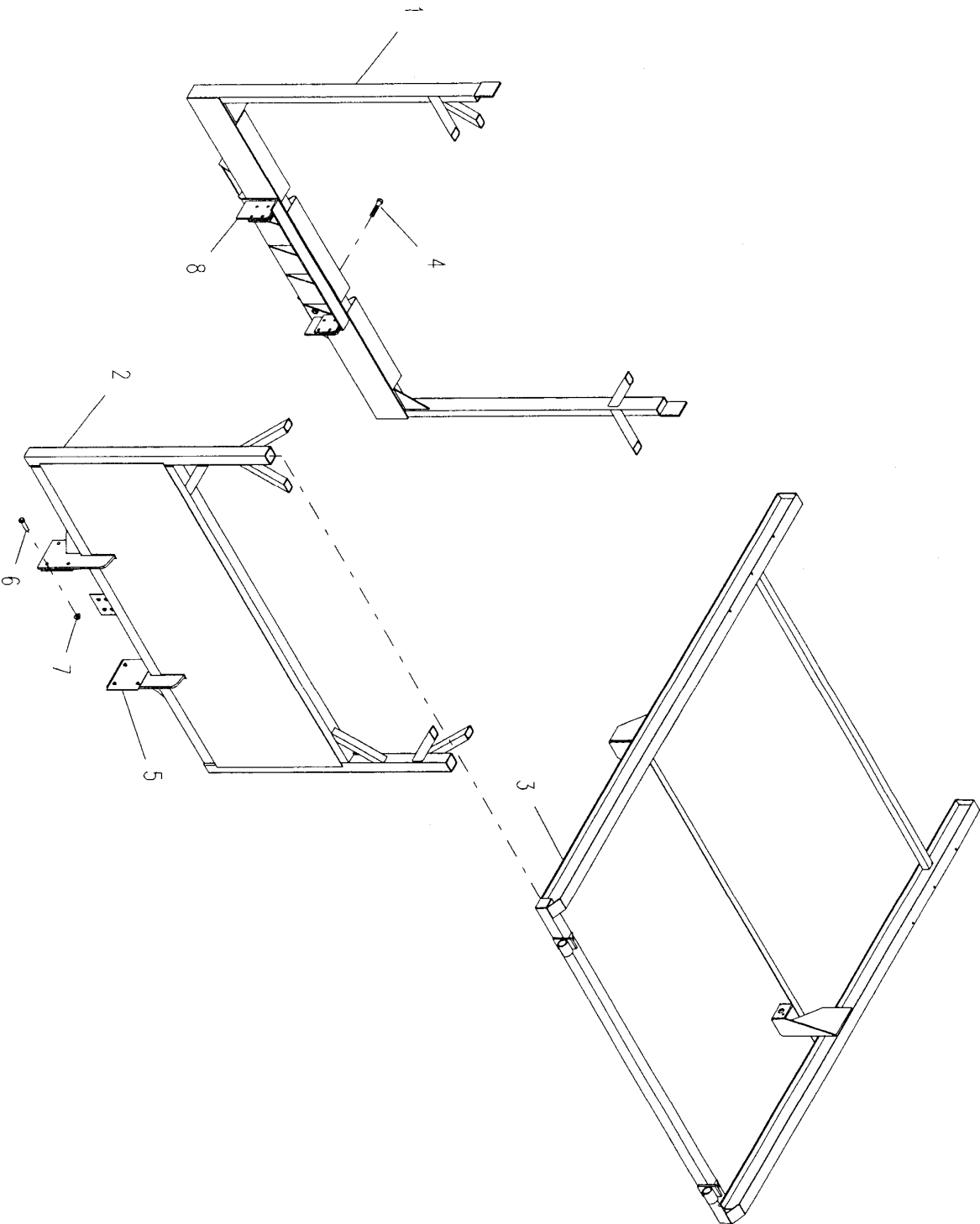
PARTS LIST — DUAL MAIN DECK WINCHES

Ref. No.	Part No.	Description	Qty.
1	7970000055	Winch	2
2	7626000014	Orbit Motor	2
3	7950180400	Lockwasher	4
4	4706003217	Plate	2
5	7115181450	Capscrew	4
6	7660182601	Locknut	8
7	7950180153	Flatwasher	8
8	7115181650	Capscrew	4
9	7248000063	Cable	2
10	7115181250	Capscrew	4
11	7445081045	Fitting	4
12	4209000145	Bushing	2
13	4763000251	Rod	2
14	4706001956	Plate	2
15	7690051274	Spring Pin	4
16	7950180143	Flatwasher	2
17	7660180234	Nut	4
18	7843000023	Spring	2
19	7551000017	Knob	2
20	7115150850	Capscrew	4
21	7950150161	Flatwasher	8
22	7660152601	Locknut	4
23	7690051611	Cotter Pin	2
24	7690182201	Pin	2
25	7949000030	Washer	2
26	3606000028	Lug Weld	2
27	3314000029	Cover Plate Weldment	2
28	4812000061	Shim	2
29	7114161218	Capscrew	12
30	7950150161	Flatwasher	12
31	7660162601	Locknut	17
32	7701000049	Plug	8
33	3706000213	Tensioner Plate	2
34	3706000214	Plate Weld Lh	2
35	3706000215	Plate Weld Rh	2
36	7115161250	Capscrew	4
37	7115162650	Capscrew	6
38	7950160161	Flatwasher	16
39	7843000034	Spring	6

PARTS LIST — SUPPORTS FOR UPPER DECK

Ref. No.	Part No.	Description	Qty.
1	3190000031	Front Support	1
2	3241000123	Rear Support	1
3	3868000212	Subframe	1
4	7105223250	Capscrew	4
5	4706003222	Spacer	6
6	7105201650	Capscrew	8
7	7660202347	Locknut	8
8	2190000004	Bumper Inst IHC 4400	1
	2190000005	Bumper Inst IHC 4900	
	2190000006	Bumper Inst FORD F750	

SUPPLIES FOR UPPER DECK

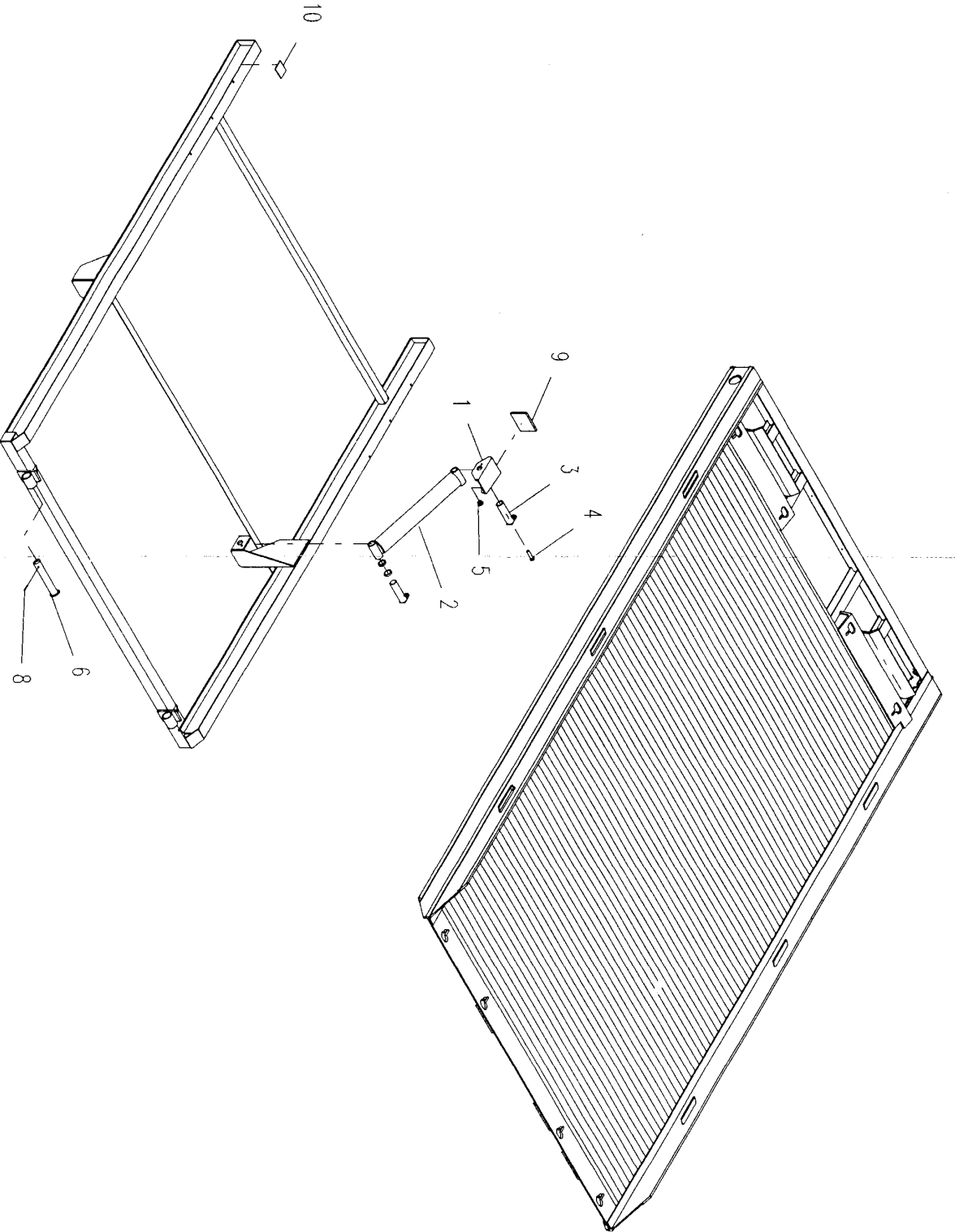


JERRIDAN
An O'Brien Yacht Corporation Company

4.15

Rev. _____
Date _____

UPPER DECK TILT CYLINDERS



PARTS LIST — UPPER DECK TILT CYLINDERS

Ref. No.	Part No.	Description	Qty.
1	4178000355	Bracket	2
2	3320000076	Cylinder	2
3	3691000092	Pin	4
4	7115160850	Capscrew	4
5	7660162301	Locknut	4
6	3691000188	Pin	2
7	4209000084	Spacer	4
8	7690164045	Pin	2
9	4705000572	Plate	2
10	4090000003	Belt	2

PARTS LIST — FINAL ASSEMBLY

Ref. No.	Part No.	Description	Qty.
1	3868000211	Subframe	1
2	3905000004	Trunnion	1
3	4691000295	Pin	2
4	7690164045	Spring Pin	2
5	4497000358	Gusset	2
6	3178000233	Light Box Lh	1
7	3178000234	Light Box Rh	1
8	3320000074	Cylinder Assy	1
9	4691000268	Pin	1
10	7754000006	Retaining Ring	2
11	4679000145	Wear Pad	16
12	7118161026	Capscrew	48
13	7660162601	Locknut	48
14	4679000166	Wear Pad	1
15	4178000308	Hat Bracket	1
16	7115181450	Capscrew	2
17	7660182601	Locknut	2
18	3691000164	Pin	2
19	7115160850	Capscrew	2
20	3320000092	Cylinder Assy	2
21	4209000204	Bushing	4
22	4017001093	Angle	2
23	7105181450	Capscrew	4
24	7950180153	Flatwasher	4
25	7660182333	Locknut	4
26	7660162301	Locknut	4
27	7105201650	Capscrew	4
28	7105202250	Capscrew	4
29	3062000015	Body Guide Lh	1
	3062000014	Body Guide Rh	1
30	4831000084	Spacer	2
31	4831000083	Spacer	2
32	4831000079	Spacer	2
33	7660202347	Locknut	8
34	3178000288	Saddle Lh	1
	3178000289	Saddle Rh	1
35	3691000184	Pin	2
36	7115161050	Capscrew	2
37	7638000004	Mud Flap	2
38	4706000233	Backing Strip	2
39	7111150813	Screw	8
40	7950150000	Washer	8
41	7660150000	Nut	8

JERR-DAN

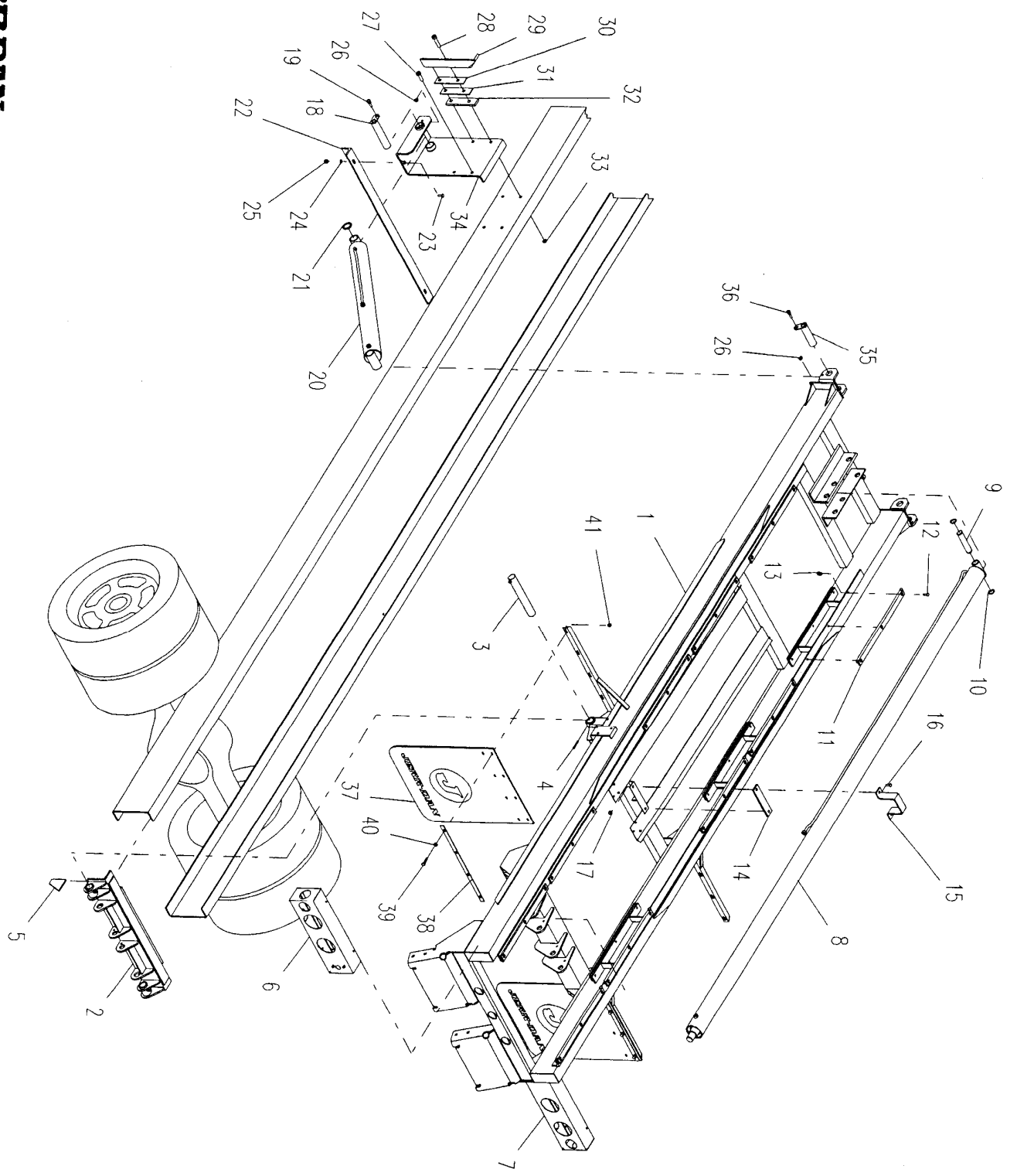
An Oshkosh Truck Corporation Company

4.18

Rev. _____

Date _____

WAL ASSEMBLY

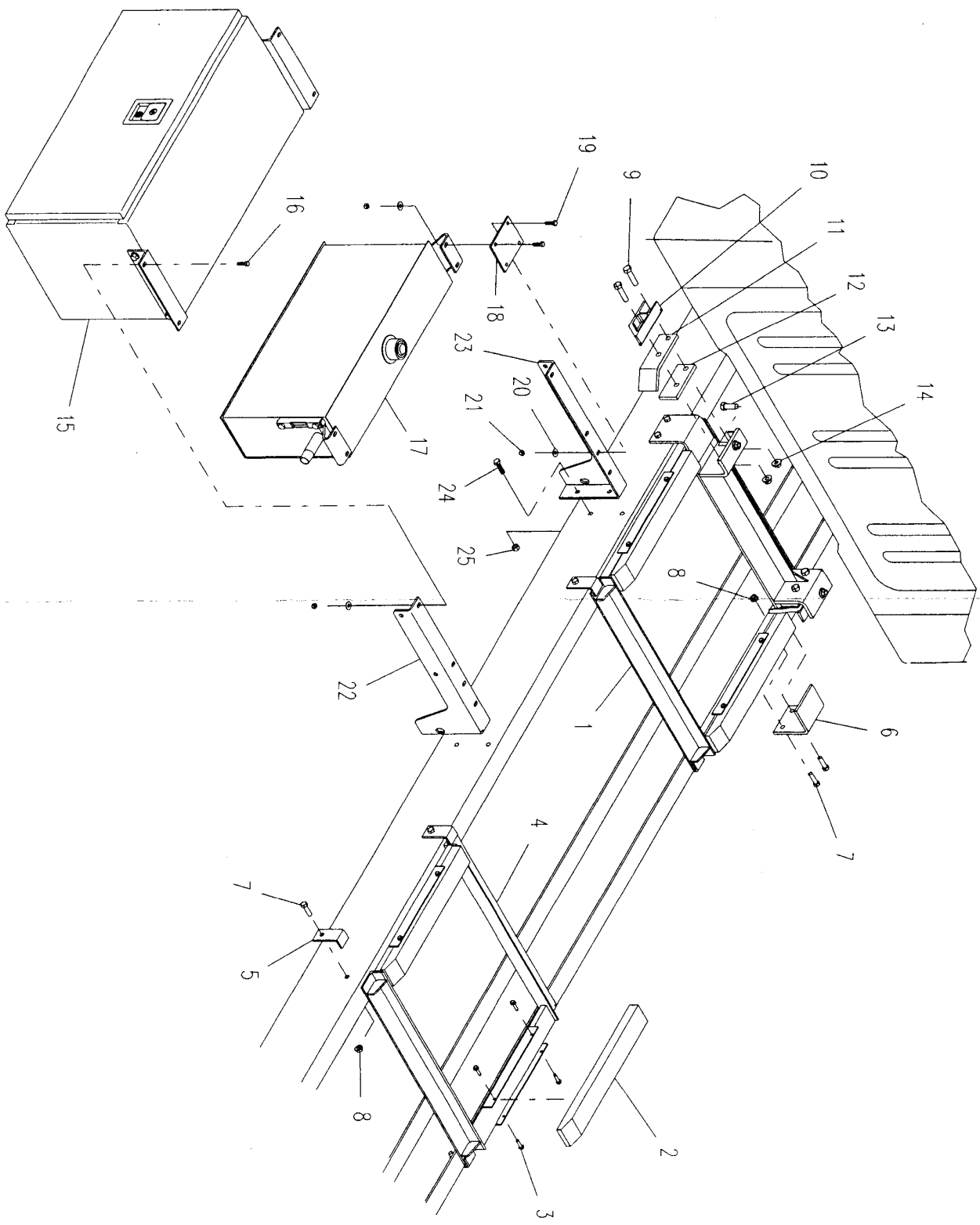


JERR-DAN
An Official Truck Corporation Company

4.19

Rev. _____
Date _____

FINAL ASSEMBLY



PARTS LIST — FINAL ASSEMBLY

Ref. No.	Part No.	Description	Qty.
1	3558000008	Holddown	1
2	4679000194	Wear Pad	4
3	7790152056	Screw	16
4	3558000007	Mid-deck Support	1
5	4017001097	Angle	6
6	4017001096	Angle	2
7	7105181450	Bolt	10
8	7660182333	Locknut	10
9	7105202050	Bolt	4
10	7259000015	Cast Shoe LH	1
	7259000016	Cast Shoe RH	1
11	4706003025	Plate LH	1
	4706003026	Plate RH	1
12	4706003027	Plate	2
13	7105201250	Bolt	2
14	7660202347	Locknut	4
15	3899000051	36" Toolbox w/ SS Door	1
	3899000074	48" Toolbox w/ SS Door	
	3899000077	60" Toolbox w/ SS Door	
	3899000053	Storage Basket	
16	7790161253	Screw	8
17	3705000018	Oil Reservoir	1
18	4706002361	Plate	2
19	7115150850	Bolt	8
20	7950150161	Flatwasher	8
21	7660152601	Locknut	8
22	4178000290	Bracket	1
23	4178000291	Bracket	1
24	7118181216	Bolt	4
25	7660182301	Locknut	4

JERR-DAN

An Oshkosh Truck Corporation Company

4.21

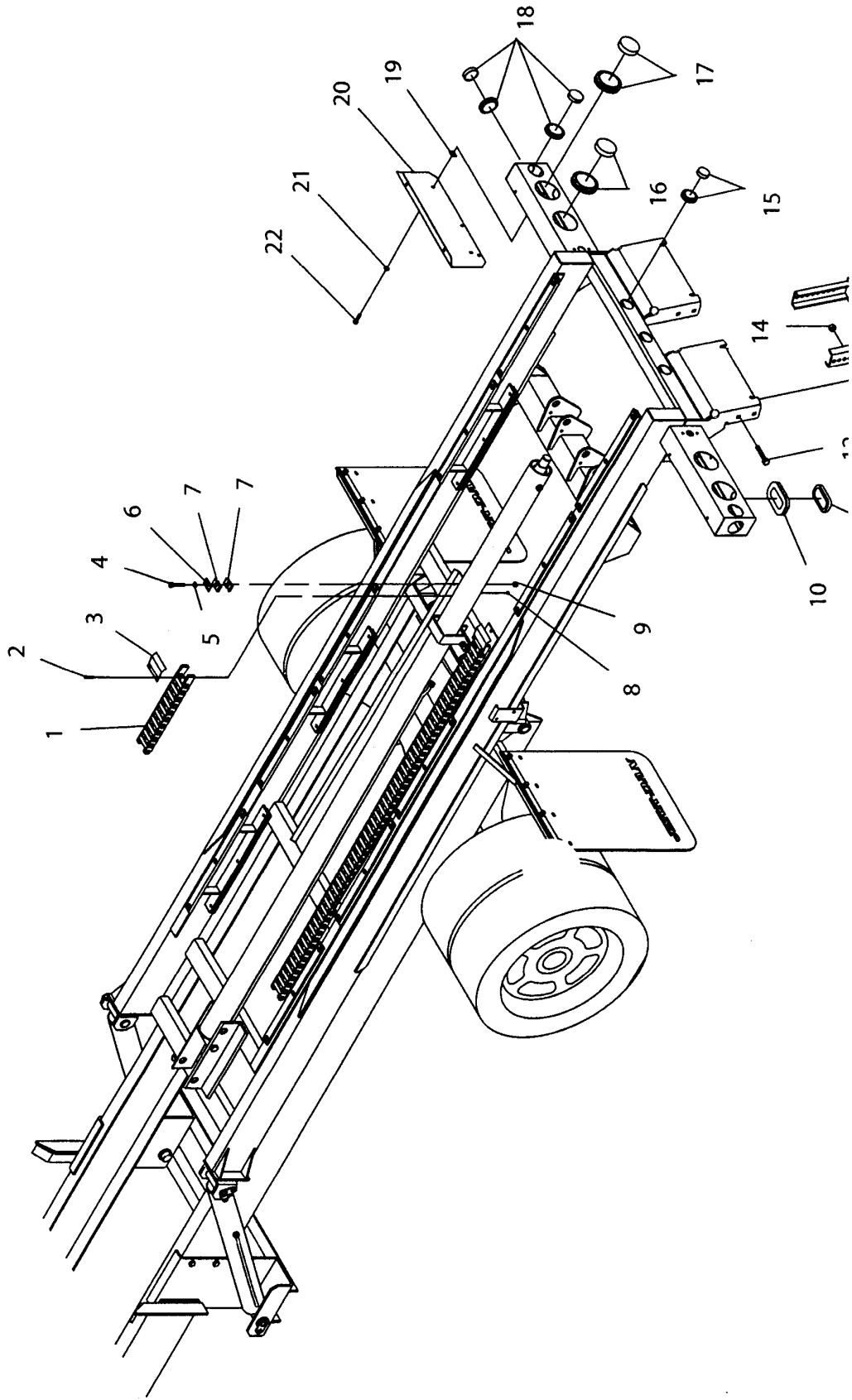
Rev. _____

Date _____

PARTS LIST — FINAL ASSEMBLY

Ref. No.	Part No.	Description	Qty.
1	7904000001	Cable Carrier	2
2	7114101618	Screw	8
3	4706003038	Plate	2
4	7115151650	Capscrew	4
5	7950150161	Washer	2
6	7274000039	Clamp Cover	5
7	7274000038	Half Clamp	10
8	7660102604	Nut	8
9	7660152601	Locknut	4
10	7493000010	Grommet	1
11	7590000103	License Plate Light	1
12	7115181064	Carriage Bolt	8
13	3190000028	Bumper Tubes Short	2
	3190000030	Bumper Tubes Long	
14	7660182601	Locknut	8
15	7590000079	Marker Light	3
16	7590000003	Back Up Light	2
	7493000002	Grommet	2
17	7590000002	Stop/Turn/Tail Light	2
	7493000002	Grommet	2
18	7590000047	Marker Light	4
	7493000009	Grommet	4
19	7661000019	U-Nut	8
20	4314000043	Cover	2
21	7949000023	Washer	8
22	7111140513	Screw	8

INAL ASSEMBLY



Rev. _____
Date _____

PARTS LIST — DUAL CONTROLS

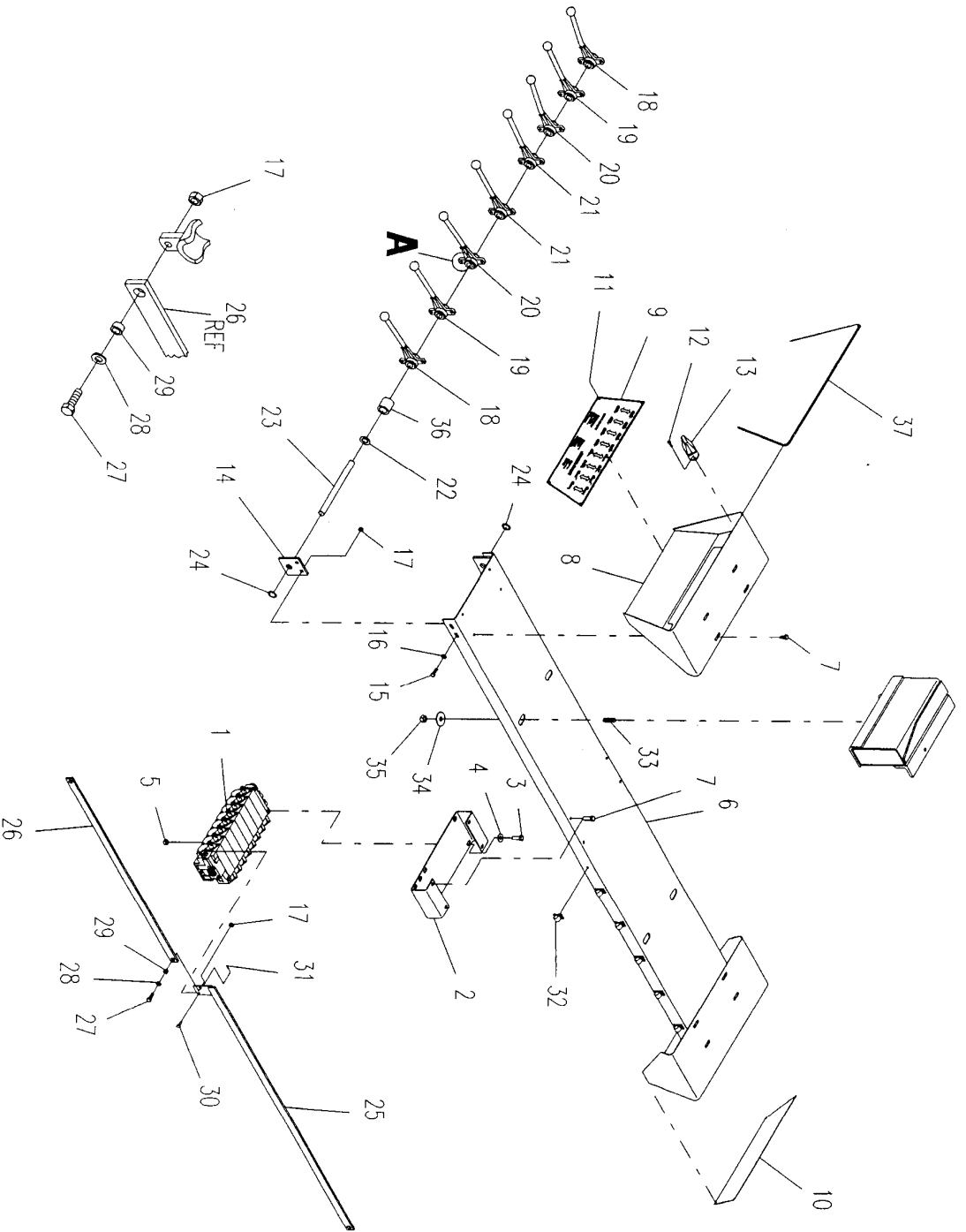
Ref. No.	Part No.	Description	Qty.
1	3935000093	Control Valve (A)	1
	3935000091	Control Valve (B)	
	3935000092	Control Valve (C)	
2	4263000464	Channel	1
3	7111161050	Capscrew	4
4	7950160161	Flatwasher	4
5	7660162601	Locknut	4
6	4263000463	Channel	1
7	7790151253	Screw	12
8	3560000009	Control Hood	2
9	7330000343	Control Panel Placard Lh	1
10	7330000344	Control Panel Placard Rh	1
11	7759000004	Pop Rivet	8
12	7790101276	Screw	4
13	7590000087	Lamp	2
14	4606000065	Lug	4
15	7115150664	Carriage Bolt	8
16	7590150000	Lock Washer	8
17	7660152601	Locknut (A,B)	29
	7660152601	Locknut (C)	32
18	7551000022	Handle (A,B)	2
	7551000022	Handle (C)	4
19	7551000021	Handle (A)	2
	7551000021	Handle (B,C)	4
20	7551000020	Handle (A,B,C)	4
21	7551000019	Handle (A,B,C)	4
22	7950220141	Washer	4
23	4691000374	Pin	2
24	7754000009	Retaining Ring	4
25	3763000090	Control Rod (A,B)	7
	3763000090	Control Rod (C)	8
26	4763000210	Control Rod (A,B)	7
	4763000210	Control Rod (C)	8
27	7115150850	Capscrew (A,B)	21
	7115150850	Capscrew (C)	24
28	7949000011	Washer (A,B)	21
	7949000011	Washer (C)	24
29	4831000069	Spacer (A,B)	21
	4831000069	Spacer (C)	24
30	7690101200	Clevis Pin (A,B)	7
	7690101200	Clevis Pin (C)	8
31	7690000810	Cotter Pin (A,B)	7
	7690000810	Cotter Pin (C)	8
32	7280000007	Clip	11
33	7866184240	Stud	6
34	7950180161	Washer	6
35	7660182601	Locknut	6
36	4211000001	Bushing (A,B)	2
37	4632000029	Trim	2

A - Application with 6 Bank Valve
 B - Application with 7 Bank Valve
 C - Application with 8 Bank Valve

Rev. _____

Date _____

JAL CONTROLS



PARTS LIST — 3000# IRL WHEELLIFT

Ref. No.	Part No.	Description	Qty.
1	3170000162	Outer Boom Weldment	1
2	3911000046	Inner Boom Weldment	1
3	3320000064	Cylinder Assembly	1
4	4691000296	Pin	1
5	7949000026	Washer	2
6	7754000006	Retaining Ring	4
7	4691000268	Pin	1
8	7209000030	Bushing	1
9	4679000046	Wear Pad	1
10	4679000211	Pad	1
11	4017000739	Angle	2
12	7118140418	Capscrew	4
13	7950100151	Washer	4
14	3320000088	Cylinder Assembly	2
15	3020000077	Arm Weldment Lh	1
	3020000078	Arm Weldment Rh	1
16	3592000027	Adjustable Link	1
17	3691000073	Pin	3
18	3691000164	Pin	2
19	3691000069	Pin	1
20	7115160850	Capscrew	6
21	7660162301	Locknut	6
22	7291000003	Receptacle	1
23	7796000048	Gasket	1
24	7114140528	Screw	2
25	7660142601	Locknut	2

JERR-DAN

An Oshkosh Truck Corporation Company

4.27

Rev. _____

Date _____

PARTS LIST — 4000# IRL WHEELLIFT

Ref. No.	Part No.	Description	Qty.
1	3170000163	Outer Boom Weldment	1
2	3170000164	Inner Boom Weldment	1
3	3320000064	Cylinder Assembly	1
4	4691000296	Pin	1
5	7949000026	Washer	2
6	7754000006	Retaining Ring	2
7	4691000268	Pin	1
8	7209000028	Bushing	1
9	4679000046	Wear Pad	1
10	4679000211	Pad	1
11	4017000739	Angle	2
12	7118140418	Capscrew	4
13	7950100151	Washer	4
14	3320000097	Cylinder Assembly	2
15	3020000058	Arm Weldment	2
16	3592000029	Adjustable Link	1
17	3691000073	Pin	3
18	3691000164	Pin	2
19	3691000069	Pin	1
20	7115160850	Capscrew	6
21	7660162301	Locknut	6
22	7291000003	Receptacle	1
23	7796000048	Gasket	1
24	7114140528	Screw	2
25	7660142601	Locknut	2

JERR-DAN

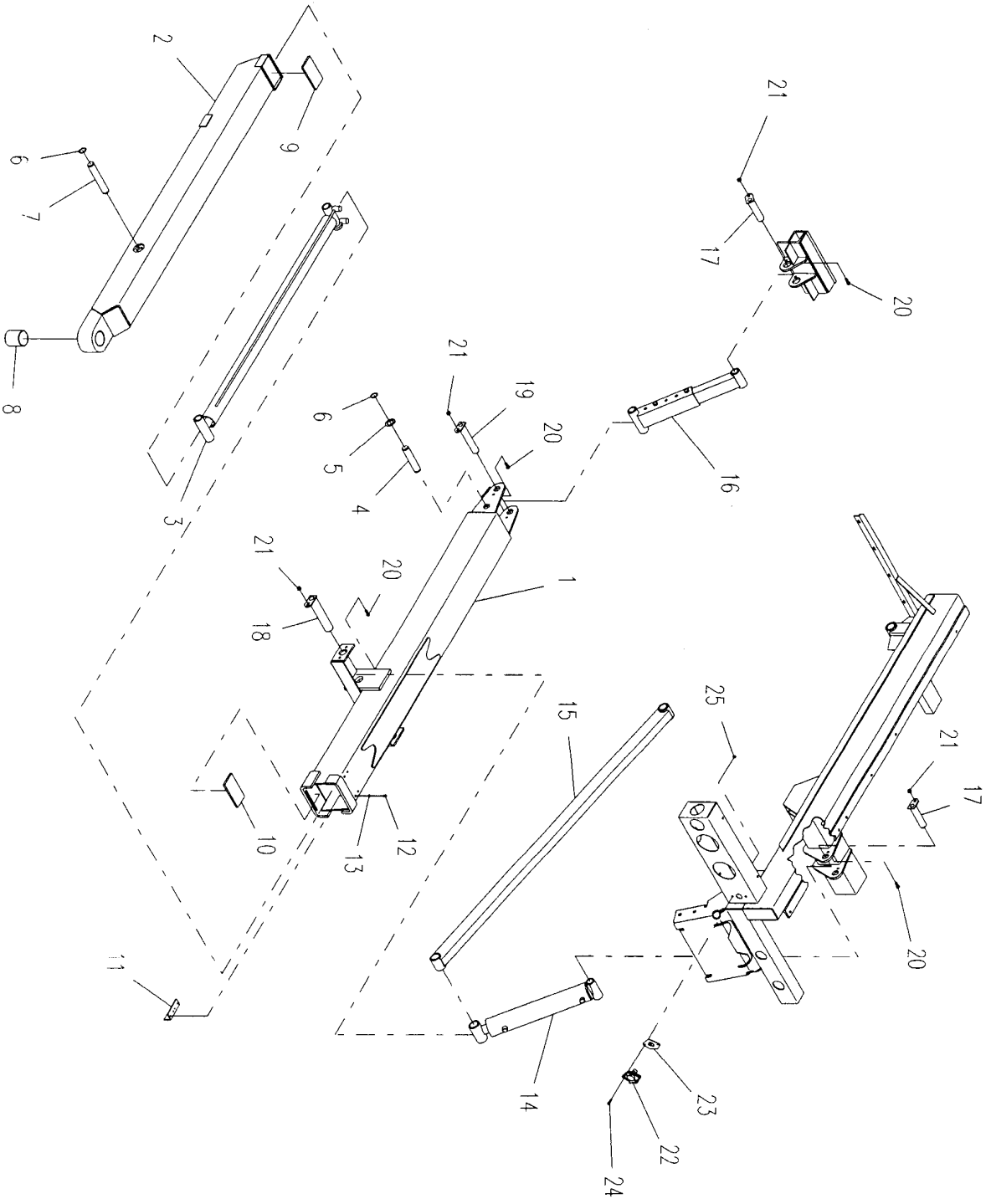
An Oshkosh Truck Corporation Company

4.28

Rev. _____

Date _____

4000# IRL WHEELLIFT

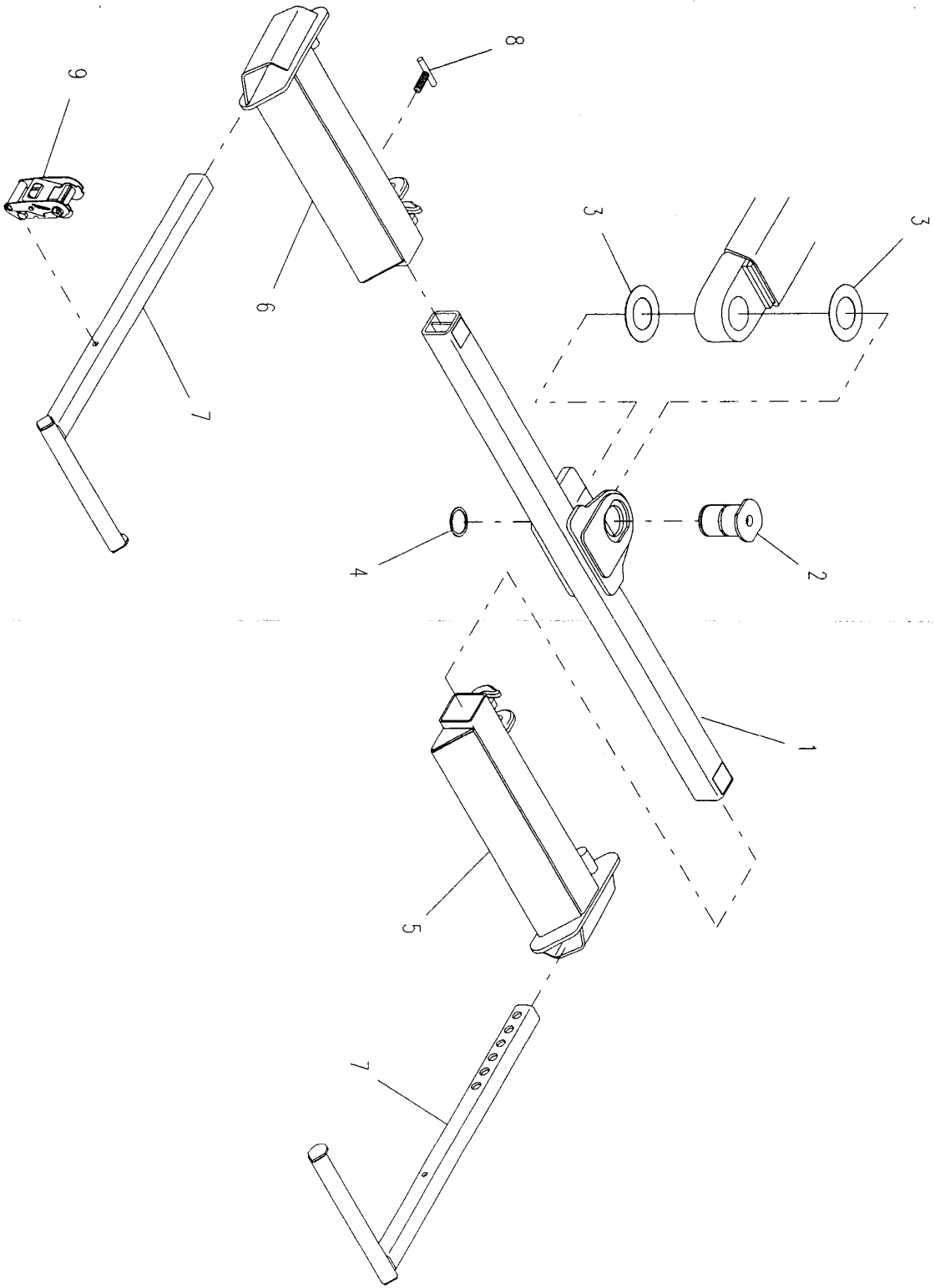


JERR-DAN
A Chemetall Division Company

4.29

Rev. _____
Date _____

3000# WHEELLIFT GRID ASSEMBLY



PARTS LIST — 3000# WHEELLIFT GRID ASSEMBLY

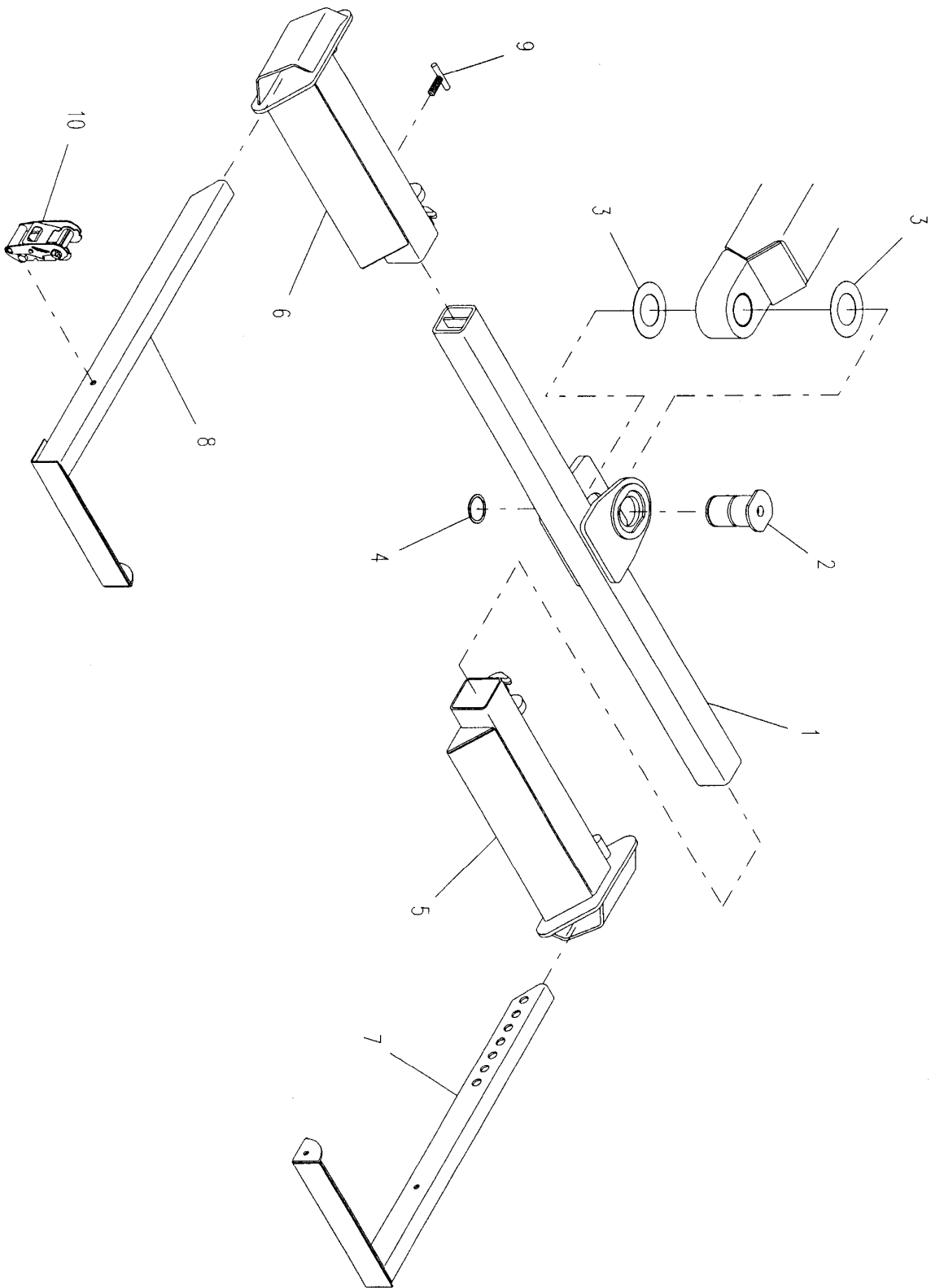
Ref. No.	Part No.	Description	Qty.
1	3913000057	Pivot Tube (A)	1
	3913000056	Pivot Tube (B)	
2	4691000278	Pin	1
3	4949000047	Washer	2
4	7754000024	Retaining Ring	1
5	3484000034	Grid Weldment - RH	1
6	3484000035	Grid Weldment - LH	1
7	3020000072	L-Arm	2
8	3551000036	T-Handle	2
9	7894000034	Ratchet and Strap	2

A - IRL Wheelift
B - ZOD Wheelift

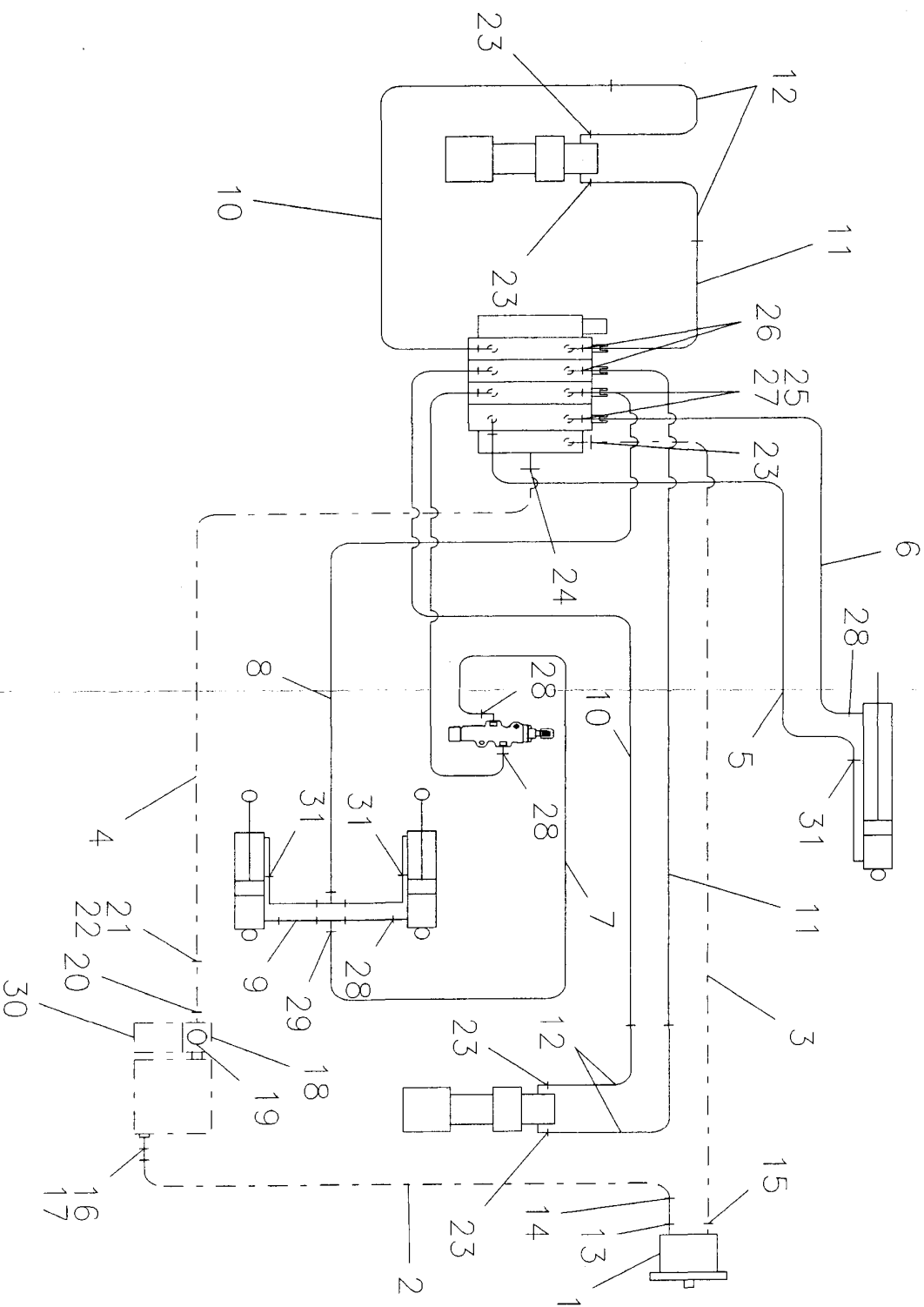
PARTS LIST — 4000# WHEELIFT GRID ASSEMBLY

Ref. No.	Part No.	Description	Qty.
1	3913000061	Pivot Tube	1
2	4691000103	Pin	1
3	4949000047	Washer	2
4	7754000024	Retaining Ring	1
5	3484000030	Grid Weldment - RH	1
6	3484000031	Grid Weldment - LH	1
7	3020000038	L-Arm - RH	1
8	3020000037	L-Arm - LH	1
9	3551000036	T-Handle	2
10	7894000034	Ratchet and Strap	2

4000# WHEELIFT GRID ASSEMBLY



HYDRAULIC COMPONENTS MAIN DECK



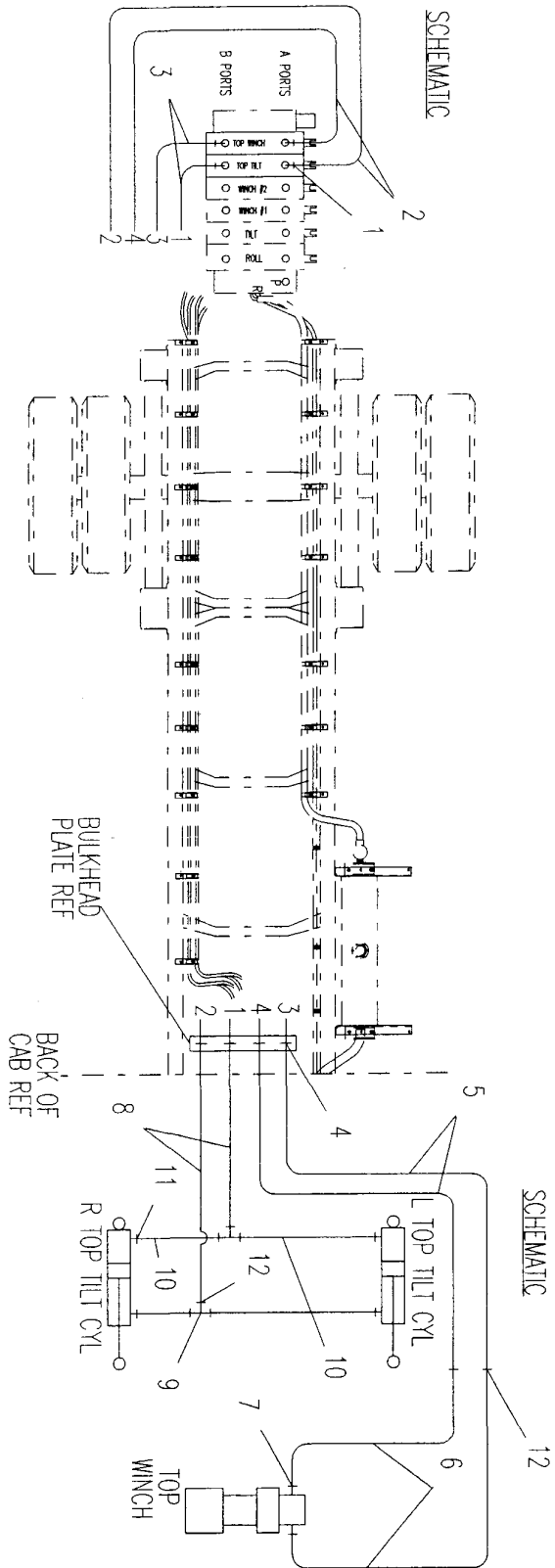
PARTS LIST — HYDRAULIC COMPONENTS MAIN DECK

Ref. No.	Part No.	Description	Qty.
1	7724000021	Pump	1
2	4570000161	Hose 28'	1
	4570000182	Hose 30'	
3	4567130316	Hose Assembly 28'	1
	4567130340	Hose Assembly 30'	
4	4570000046	Hose	1
5	4567123030	Hose Assembly	1
6	4567122047	Hose Assembly	1
7	4567120158	Hose Assembly	1
8	4567122139	Hose Assembly	1
9	4567123026	Hose Assembly	2
10	4569433124	Hose Assembly	2
11	4569432124	Hose Assembly	2
12	4567430199	Hose Assembly 28'	4
	4567430223	Hose Assembly 30'	
13	7445081643	Adapter	1
14	7443000023	Elbow	1
15	7443000101	Adapter	1
16	7443000013	Nipple	1
17	7274000002	Clamp	1
18	7430000003	Filter Head and Element	1
19	7470000002	Gauge	1
20	7445161250	Reducer	1
21	7443000169	Adapter	1
22	7274000047	Clamp	1
23	7445081045	Elbow	5
24	7443000168	Adapter	1
25	7445060843	Adapter	5
26	7445080843	Adapter	4
27	7443000196	Restrictor	2
28	7445060645	Elbow	5
29	7445060637	Elbow	2
30	7431000001	Filter Element	1
31	7445060643	Adapter	3

PARTS LIST — HYDRAULIC COMPONENTS UPPER DECK

Ref. No.	Part No.	Description	Qty.
1	7445080843	Adapter	4
2	4567133280	Hose Assembly 28'	2
	4567133304	Hose Assembly 30'	
3	4567132280	Hose Assembly 28'	2
	4567132304	Hose Assembly 30'	
4	7445080825	Union Bulkhead	4
5	4567132119	Hose Assembly	2
6	4569430122	Hose Assembly	2
7	7445081045	Elbow	2
8	4567132136	Hose Assembly	2
9	7445080837	Tee	2
10	4567120118	Hose Assembly	4
11	7445060645	Elbow	4
12	7443000023	Elbow	4

HYDRAULIC COMPONENTS UPPER DECK



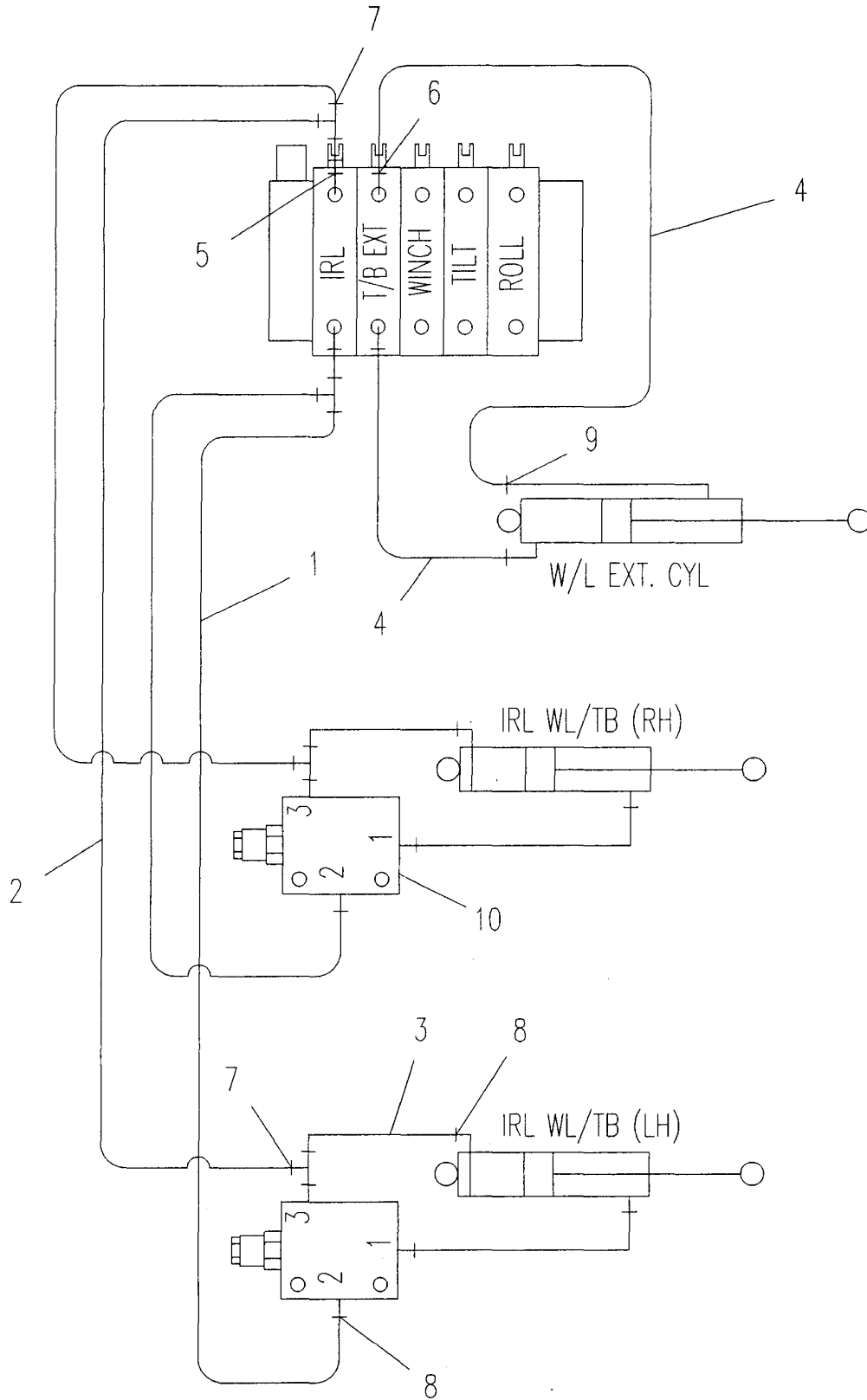
SCHEMATIC

SCHEMATIC

PARTS LIST — HYDRAULIC COMPONENTS - IRL WHEELLIFT

Ref. No.	Part No.	Description	Qty.
1	4567123045	Hose Assembly	2
2	4567122043	Hose Assembly	2
3	4567122013	Hose Assembly	2
4	4567110034	Hose Assembly	2
5	7443000129	Reducer	2
6	7443040643	Adapter	2
7	7445060648	Tee	4
8	7445060645	Elbow	4
9	7445040446	Elbow	2
10	7935000177	Counter Balance Valve	2

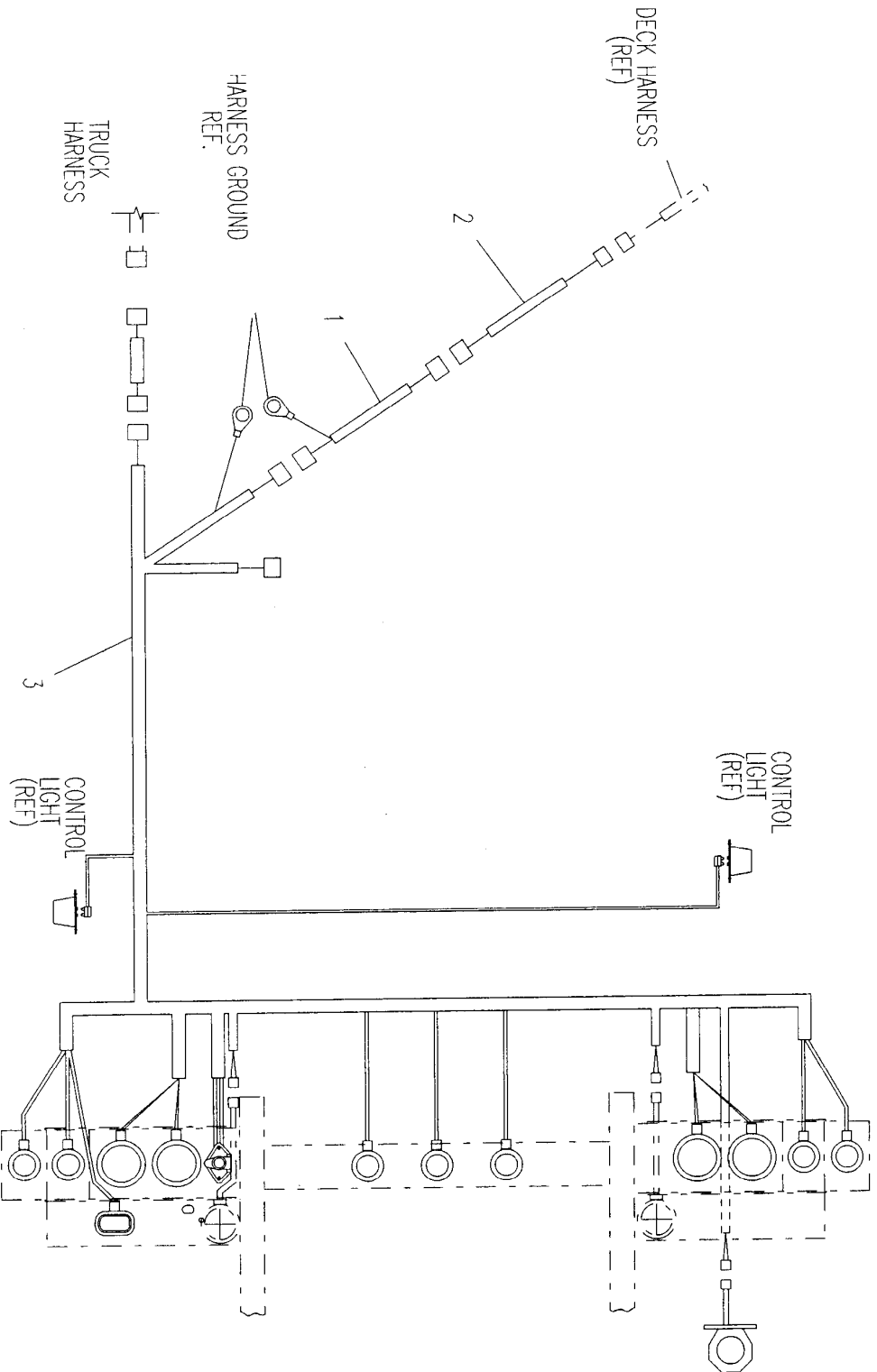
HYDRAULIC COMPONENTS - IRL WHEELIFT



PARTS LIST — ELECTRICAL COMPONENTS

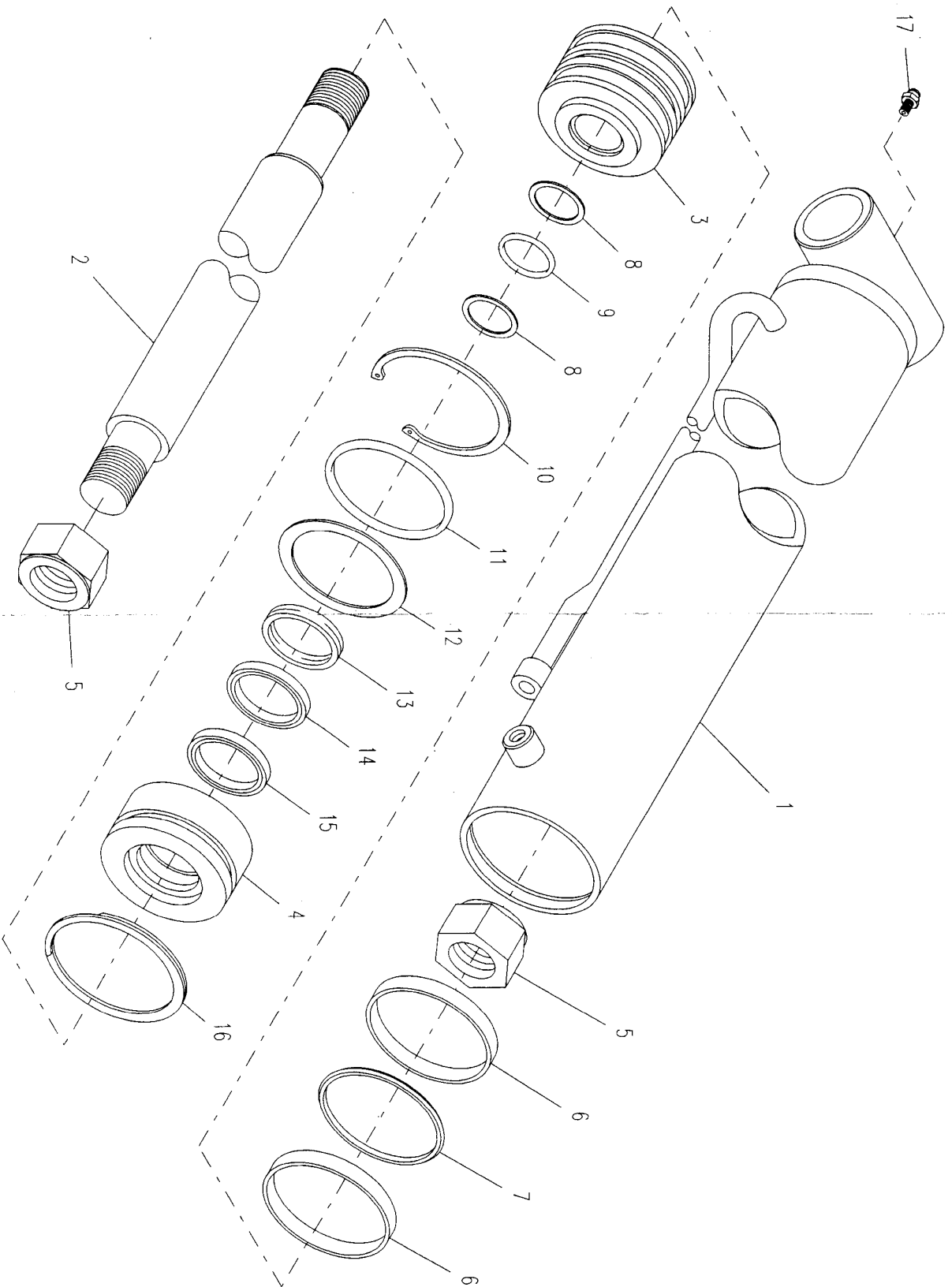
Ref. No.	Part No.	Description	Qty.
1	7552000190	Wiring Harness - Subframe/Deck	1
2	7552000192	Wiring Harness - Deck/Winch	1
3	7552000135	Wiring Harness - Subframe	1

ELECTRICAL COMPONENTS



ROLLBACK CYLINDER

3320000074



PARTS LIST — ROLLBACK CYLINDER

332000074

Ref. No.	Part No.	Description	Qty.
1	3071000068	Barrel Weldment	1
2	4763000093	Rod	1
3	4698000009	Piston	1
4	4553000010	Head	1
5	7660342031	Locknut	2
6	7796000013*	Wear Ring	2
7	7796000064*	Locking "T" Seal	1
8	7755226609*	Back-up Ring	2
9	7755226000*	"O" Ring	1
10	7754000016*	Retaining Ring	1
11	7755338000*	"O" Ring	1
12	7755338609*	Back-up Ring	1
13	7754000012*	Wear Ring	1
14	7796000025*	Rod Seal	1
15	7796000011*	Rod Wiper Seal	1
16	7754000027*	Retaining Ring	1
17	7440030000	Grease Fitting	1

*Available only in Service Kit #7577250025

JERR-DAN

An Oshkosh Truck Corporation Company

4.43

Rev. _____

Date _____

PARTS LIST — TILT CYLINDER MAIN DECK

3320000092

Ref. No.	Part No.	Description	Qty.
1	3071000086	Barrel Weldment	1
2	3763000101	Rod	1
3	4698000009	Piston	1
4	4553000010	Head	1
5	7661000035	Locknut	1
6	7796000013*	Wear Ring	2
7	7796000064*	Locking "T" Seal	1
8	7755226609*	Back-up Ring	2
9	7755226000*	"O" Ring	1
10	7754000016*	Retaining Ring	1
11	7755338000*	"O" Ring	1
12	7755338609*	Back-up Ring	1
13	7754000012*	Wear Ring	1
14	7796000025*	Rod Seal	1
15	7796000011*	Rod Wiper Seal	1
16	7754000027*	Retaining Ring	1
17	7440030000	Grease Fitting	1

*Available only in Service Kit #7577250025

JERR-DAN

An Oshkosh Truck Corporation Company

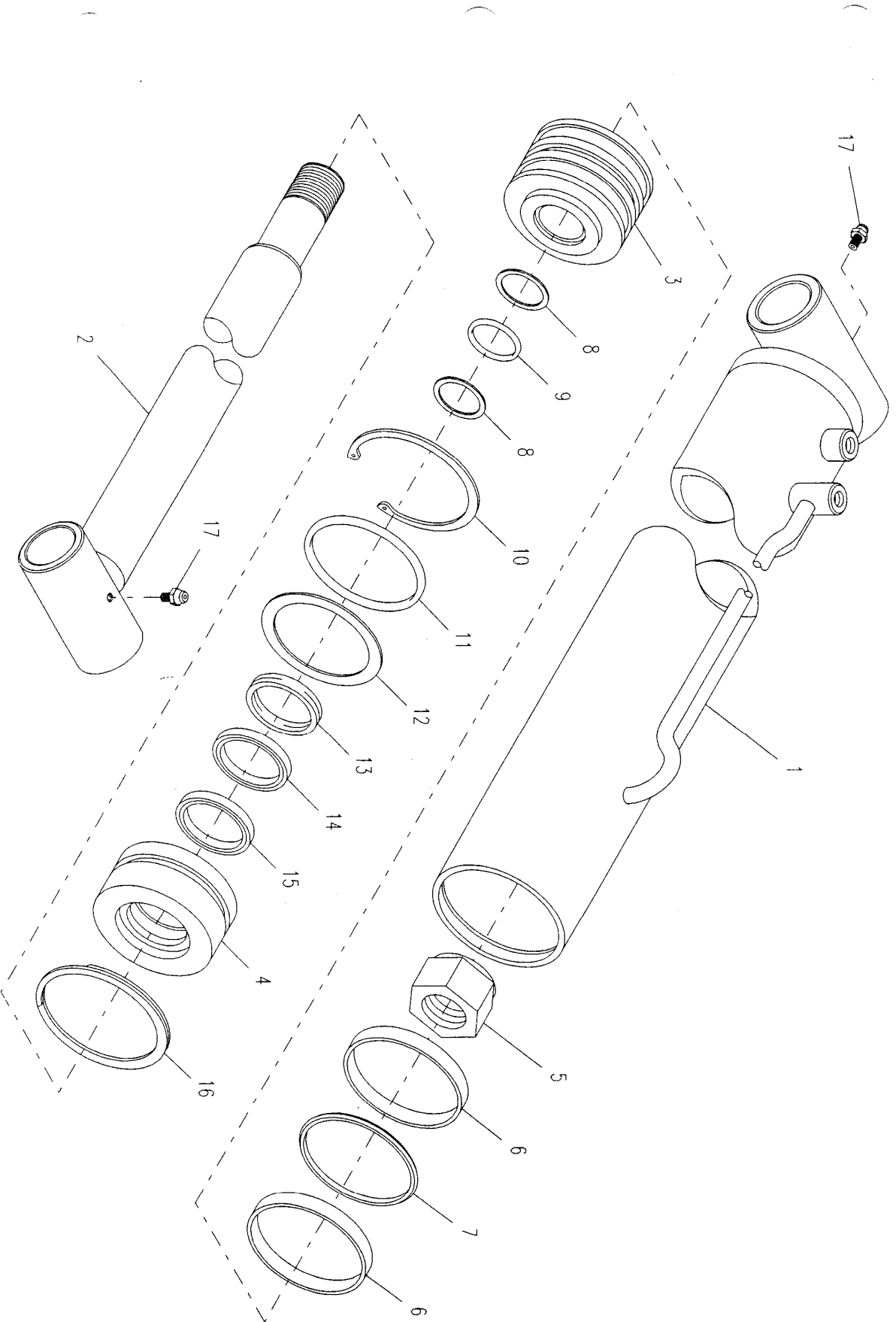
4.44

Rev. _____

Date _____

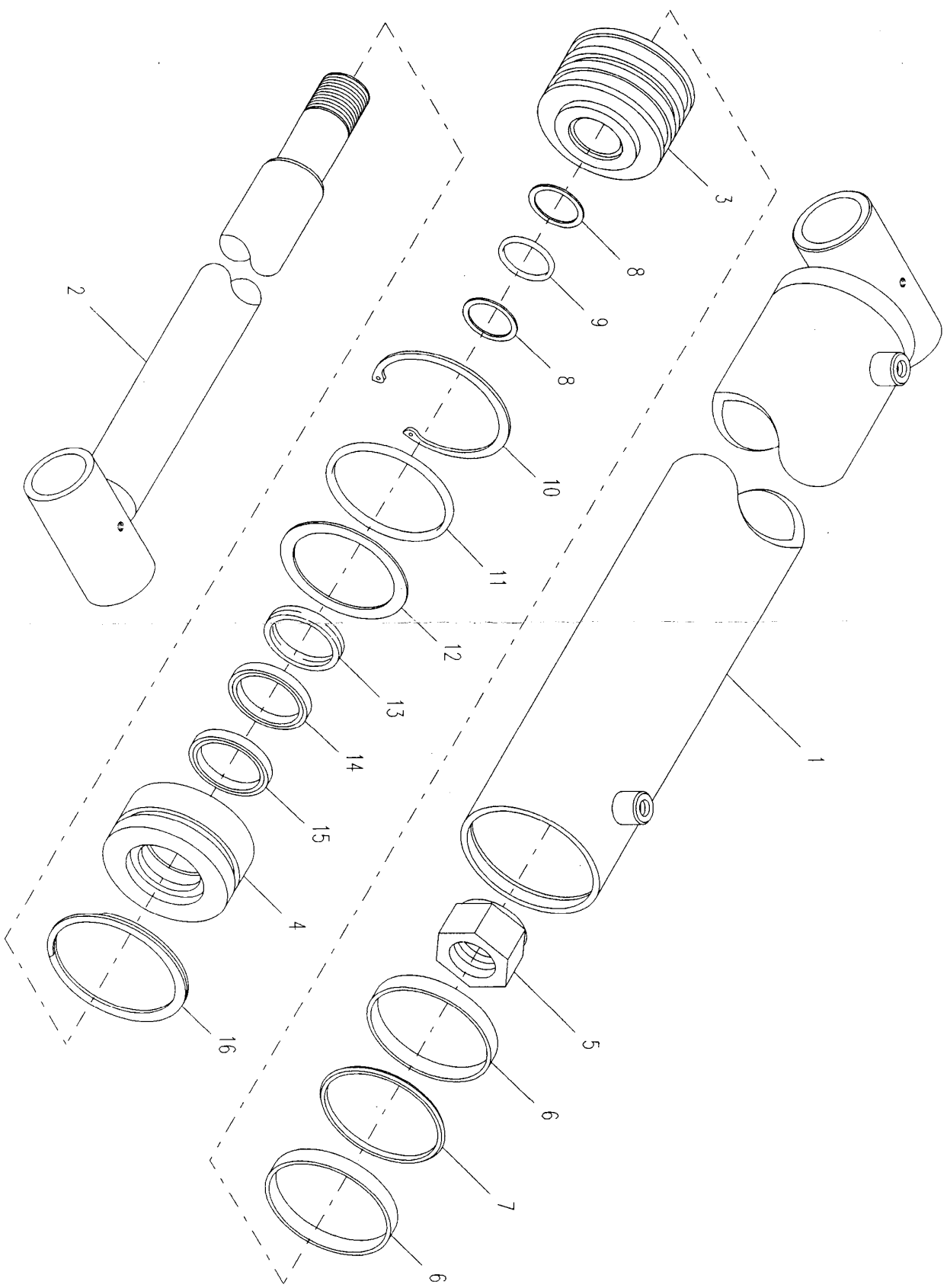
TIL CYLINDER MAIN DECK

3320000092



TILT CYLINDER UPPER DECK

3320000076



PARTS LIST — TILT CYLINDER UPPER DECK

3320000076

Ref. No.	Part No.	Description	Qty.
1	3071000065	Barrel Weldment	1
2	3763000092	Rod	1
3	4698000007	Piston	1
4	4553000008	Head	1
5	7661000034	Locknut	1
6	7796000013*	Wear Ring	2
7	7796000064*	Locking "T" Seal	1
8	7755226609*	Back-up Ring	2
9	7755226000*	"O" Ring	1
10	7754000002*	Retaining Ring	1
11	7755338000*	"O" Ring	1
12	7755338609*	Back-up Ring	1
13	7754000012*	Wear Ring	1
14	7796000025*	Rod Seal	1
15	7796000011*	Rod Wiper Seal	1
16	7754000026*	Retaining Ring	1

*Available only in Service Kit #7577250025

PARTS LIST — WHEELIFT EXTEND CYLINDER

3320000064

Ref. No.	Part No.	Description	Qty.
1	3071000060	Barrel Weldment	1
2	3763000074	Rod Weldment	1
3	4698000015	Piston	1
4	4553000016	Head	1
5	7660262031	Locknut	1
6	7754000053*	Wear Ring	2
7	7796000067*	Locking "T" Seal	1
8	7755222609*	Back-up Ring	2
9	7755222000*	"O" Ring	1
10	7754000051*	Retaining Ring	2
11	7755330000*	"O" Ring	1
12	7755330609*	Back-up Ring	1
13	7754000054*	Wear Ring	1
14	7796000045*	Rod Seal	1
15	7796000046*	Rod Wiper Seal	1
16	7440030000	Grease Fitting	2

*Available only in Service Kit #7577250206

JERR-DAN

An Oshkosh Truck Corporation Company

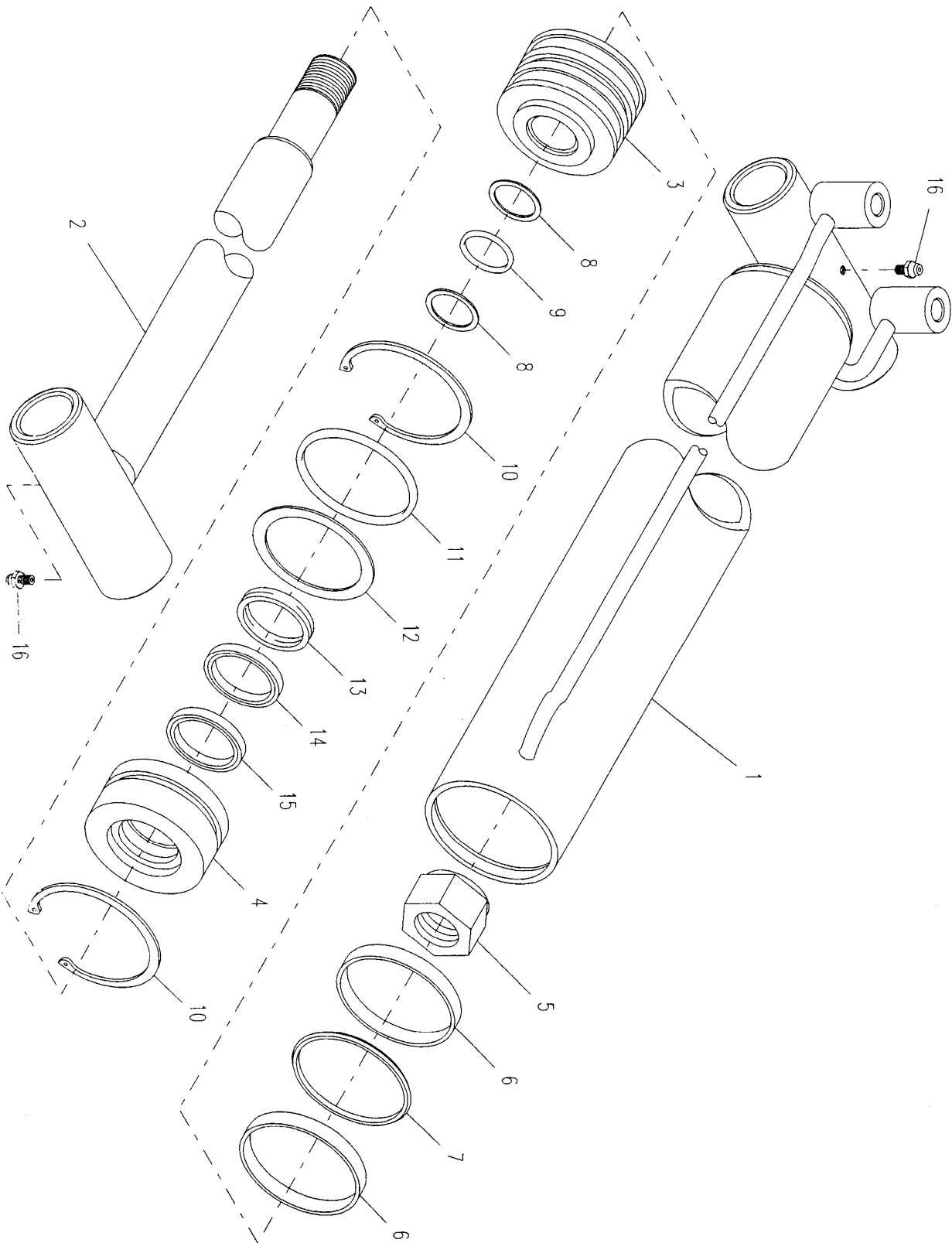
4.48

Rev. _____

Date _____

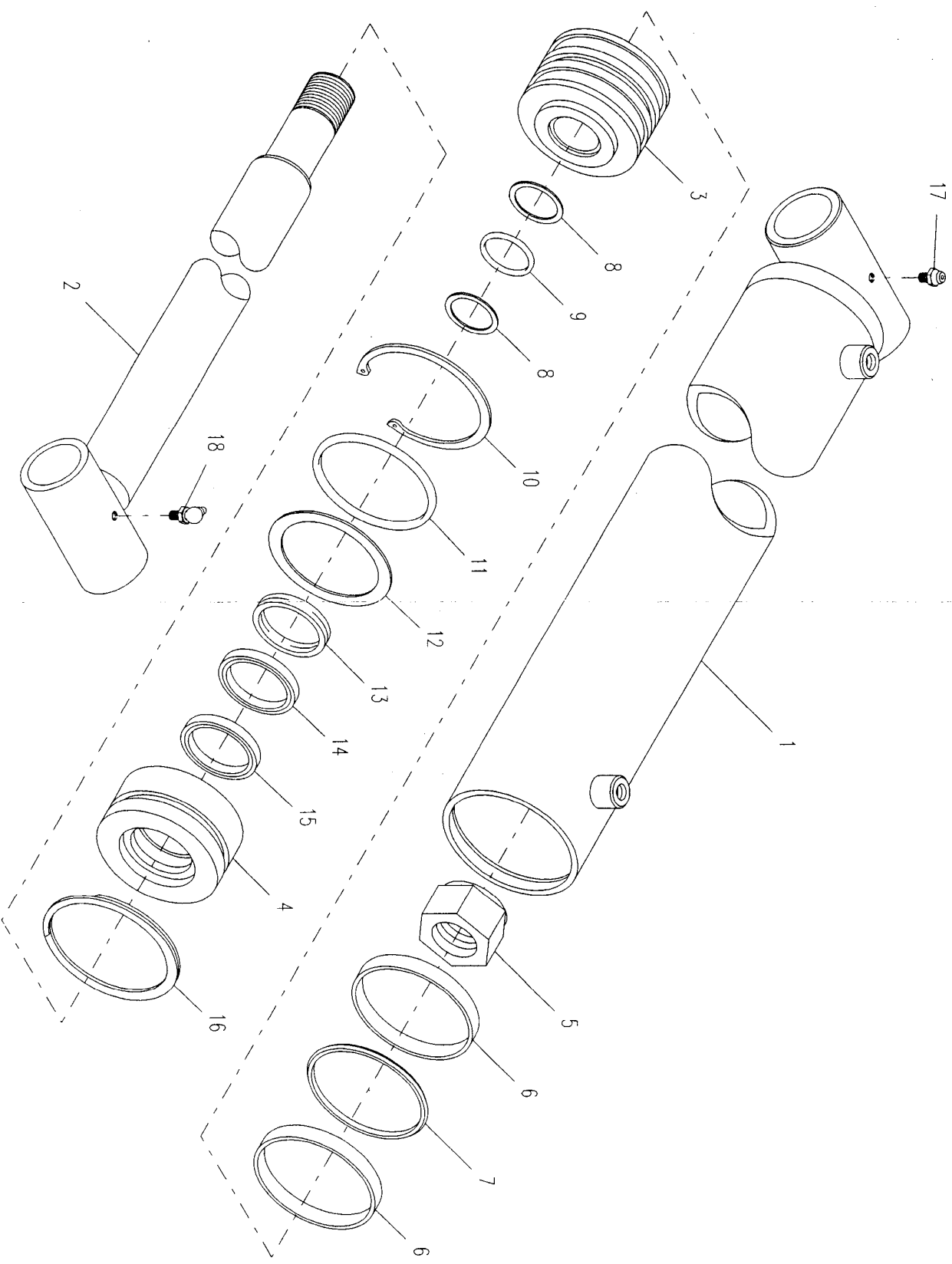
WHEELIFT EXTEND CYLINDER

3320000064



IRL CYLINDER 3000# WHEELLIFT

3320000088



PARTS LIST — IRL CYLINDER 3000# WHEELIFT

3320000088

Ref. No.	Part No.	Description	Qty.
1	3071000081	Barrel Weldment	1
2	3763000086	Rod Weldment	1
3	4698000007	Piston	1
4	4553000008	Head	1
5	7660262031	Locknut	1
6	7754000003*	Wear Ring	2
7	7796000063*	Locking "T" Seal	1
8	7755224609*	Back-up Ring	2
9	7755224000*	"O" Ring	1
10	7754000002*	Retaining Ring	1
11	7755334000*	"O" Ring	1
12	7755334609*	Back-up Ring	1
13	7754000004*	Wear Ring	1
14	7796000024*	Rod Seal	1
15	7796000008*	Rod Wiper Seal	1
16	7754000026*	Retaining Ring	1
17	7440030000	Grease Fitting	1
18	7440030200	Grease Fitting	1

*Available only in Service Kit #7577250024

JERR-DAN.

An Oshkosh Truck Corporation Company

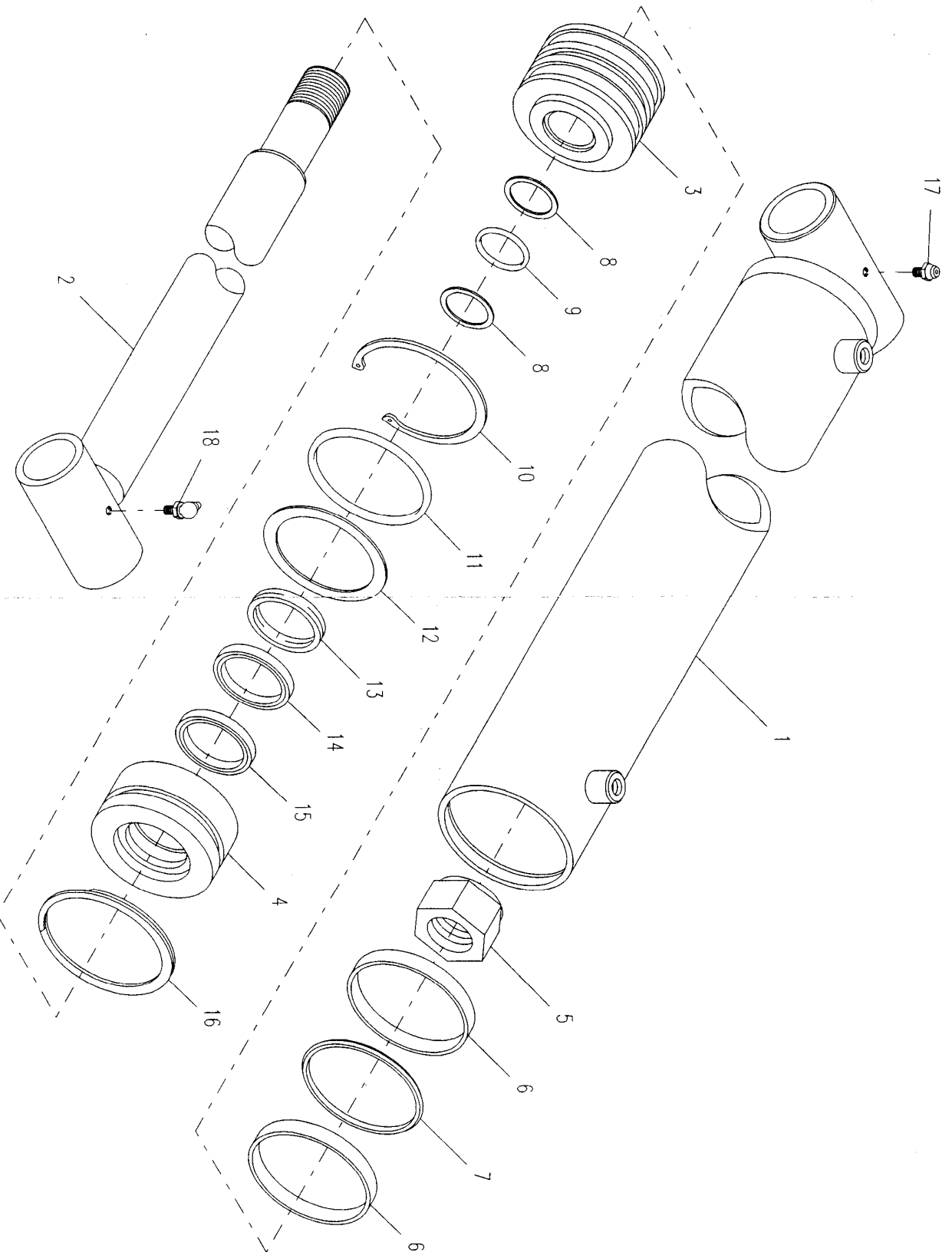
4.51

Rev. _____

Date _____

IRL CYLINDER 4000# WHEELLIFT

3320000097



PARTS LIST IRL CYLINDER 4000# WHEELIFT

332000097

Ref. No.	Part No.	Description	Qty.
1	3071000082	Barrel Weldment	1
2	3763000088	Rod Weldment	1
3	4698000007	Piston	1
4	4553000008	Head	1
5	7660262031	Locknut	1
6	7754000003*	Wear Ring	2
7	7796000063*	Locking "T" Seal	1
8	7755224609*	Back-up Ring	2
9	7755224000*	"O" Ring	1
10	7754000002*	Retaining Ring	1
11	7755334000*	"O" Ring	1
12	7755334609*	Back-up Ring	1
13	7754000004*	Wear Ring	1
14	7796000024*	Rod Seal	1
15	7796000008*	Rod Wiper Seal	1
16	7754000026*	Retaining Ring	1
17	7440030000	Grease Fitting	1
18	7440030200	Grease Fitting	1

*Available only in Service Kit #7577250024

JERR-DAN

An Oshkosh Truck Corporation Company

4.53

Rev. _____

Date _____