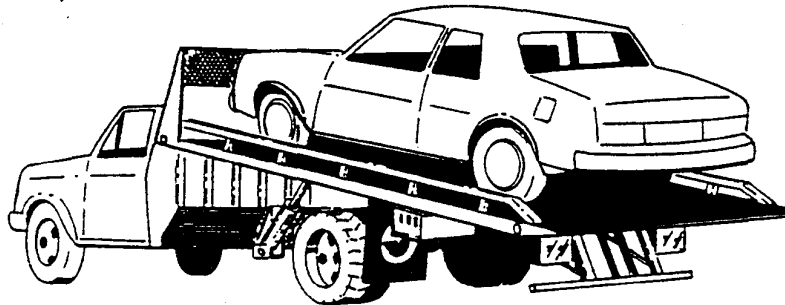




5 TON
WRANGLER II
(O.S.)

OPERATION, MAINTENANCE,
AND PARTS MANUAL



JERR-DAN
CORP.

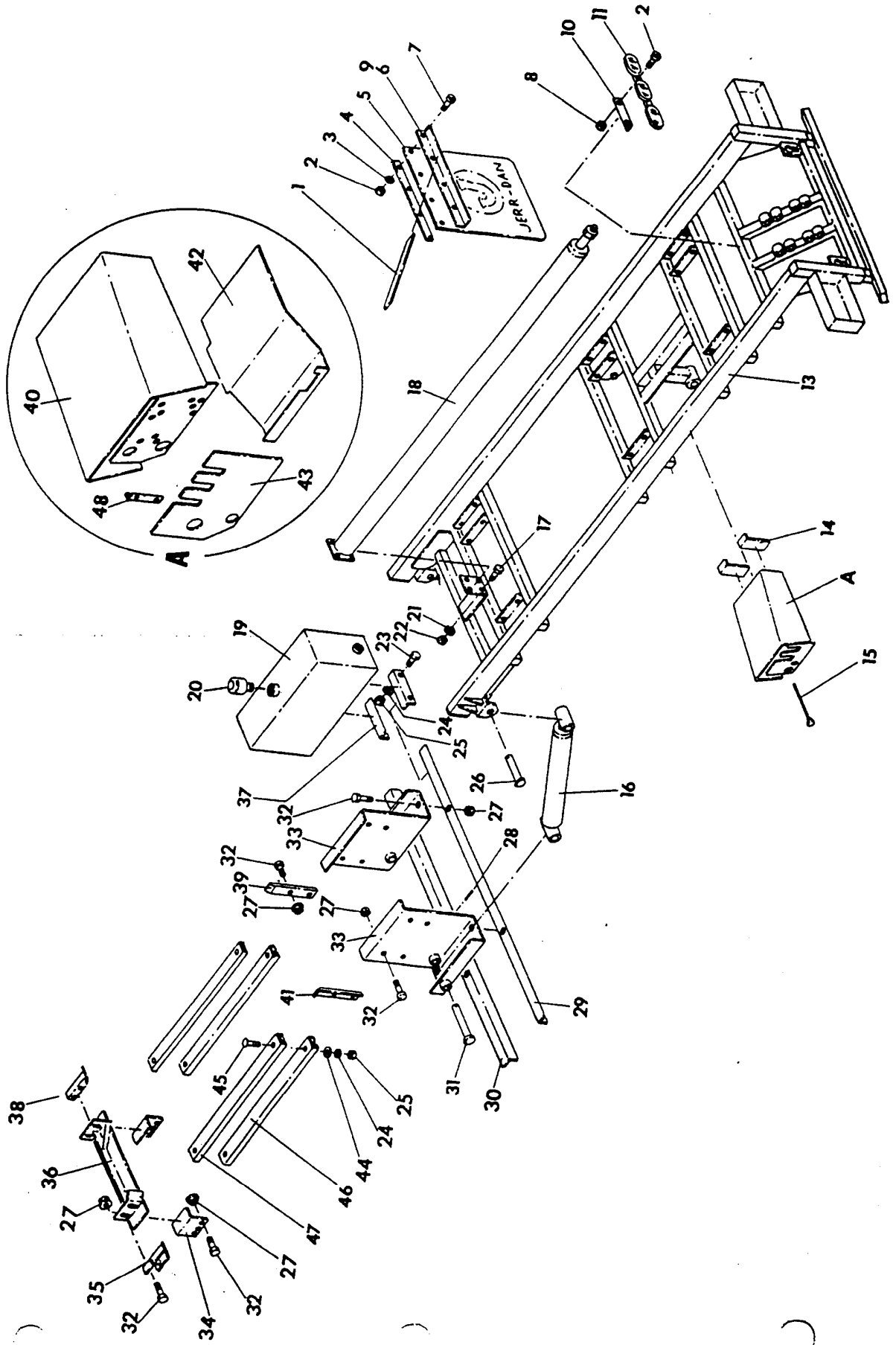
Subsidiary of Durakon Industries, Inc.

1080 Hykes Road

Greencastle, PA 17225

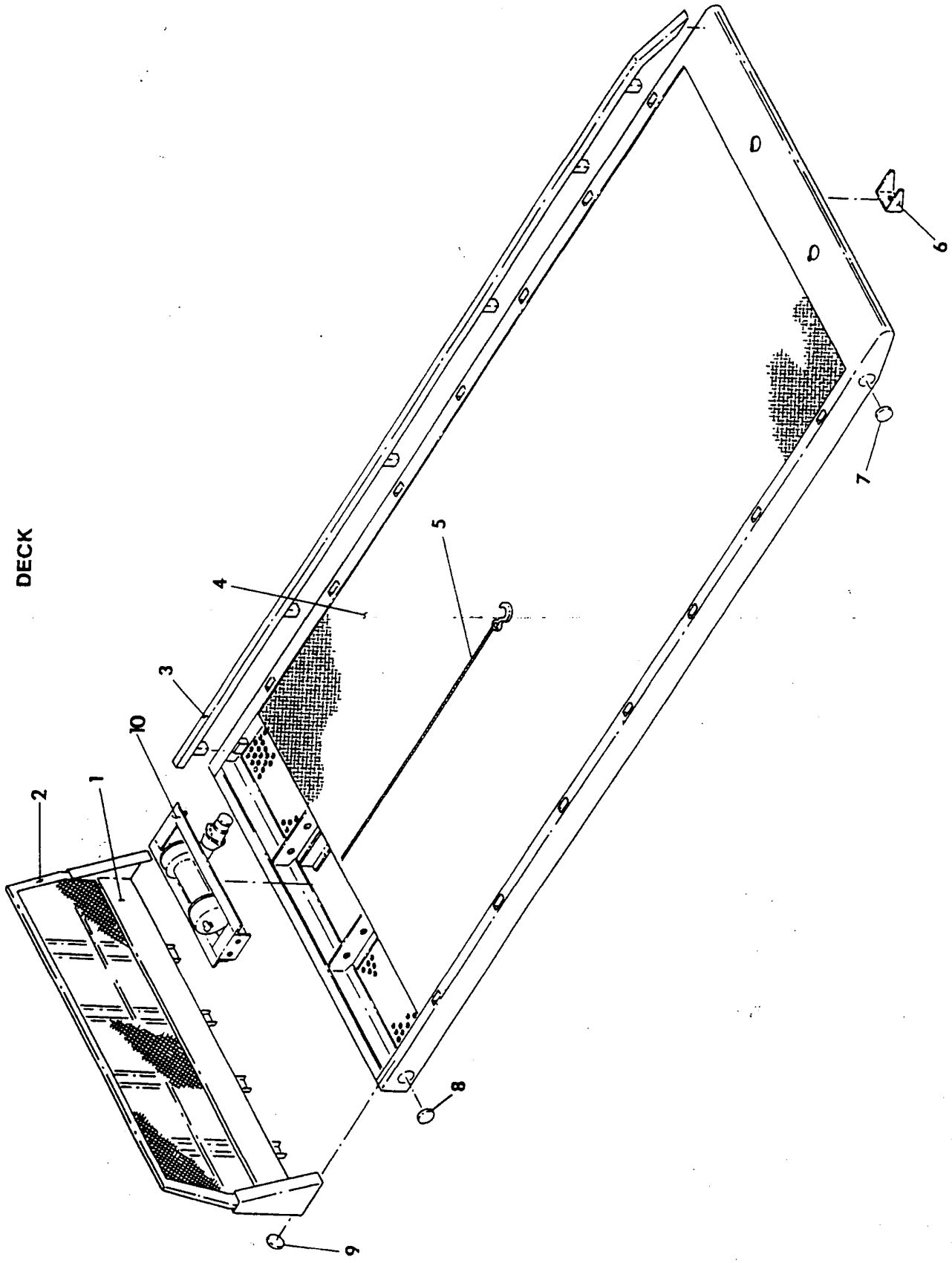
Phone (717) 597-7111

BASIC UNIT



Rev. _____
Date _____

DECK



Rev. _____
Date _____

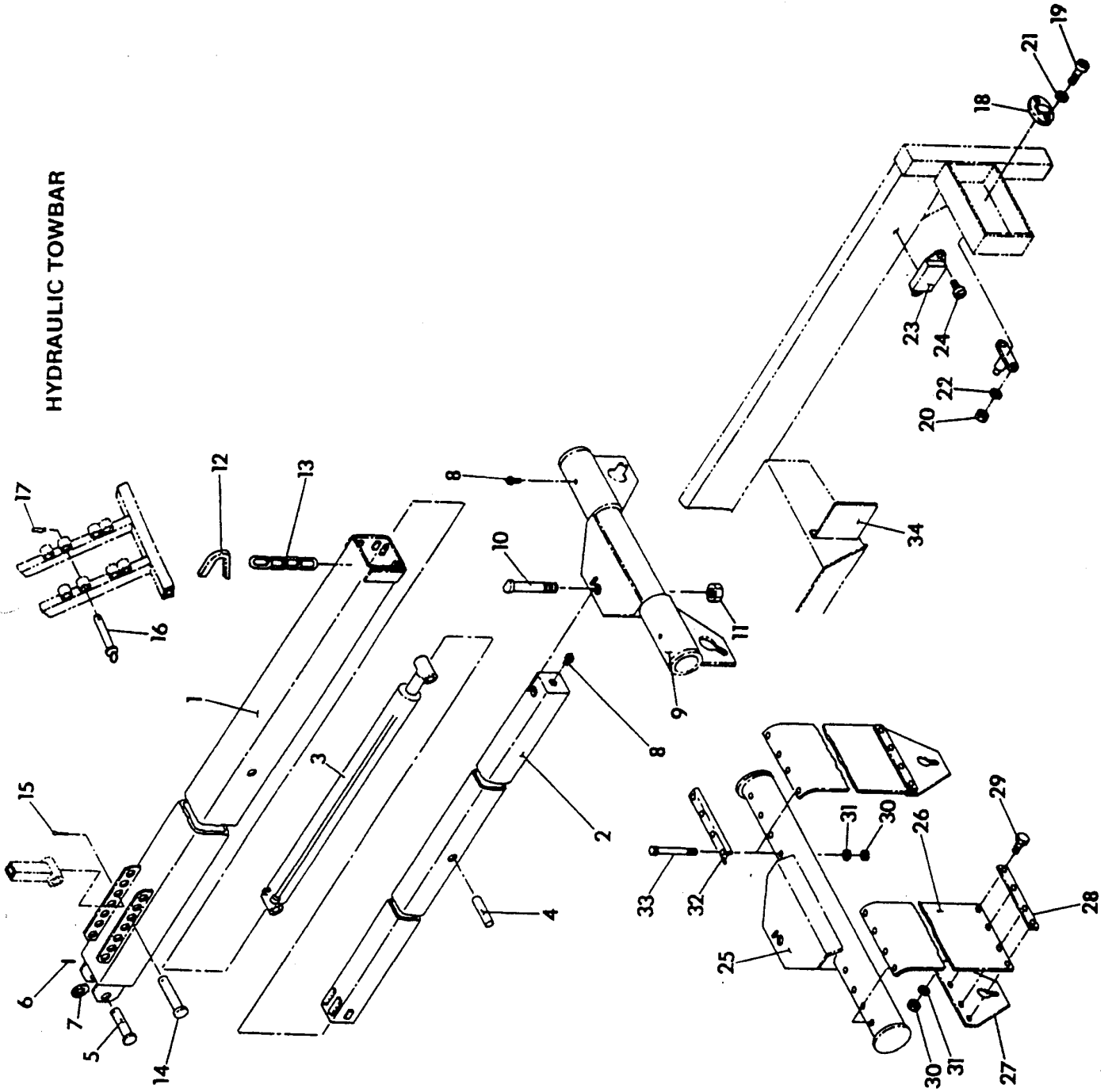
PARTS LIST-FINAL ASSEMBLY-DECK

Ref. No.	Part No.	Description	Qty.
1	D2-100-2-00021	22" Half Cab Protector	1
2	D2-100-2-00023	Top Screen	1
3	2-534-0-00076	Welded Raised Rails 20' Deck	1 pr.
	2-534-0-00077	Welded Raised Rails 22' Deck	1 pr.
4		Deck	1
5	3-533-0-00026	Winch Cable Assembly	1
6	B4-530-0-00032	Rod Mounting Bracket	1
7	3-100-0-00003	Amber Clearance Light	2
8	3-100-0-00004	Red Clearance Light	2
9	5-531-0-00023	Amber Reflector	2
10	D2-533-1-00042	Winch Assembly	1

PARTS LIST-FINAL ASSEMBLY-HYDRAULIC TOWBAR

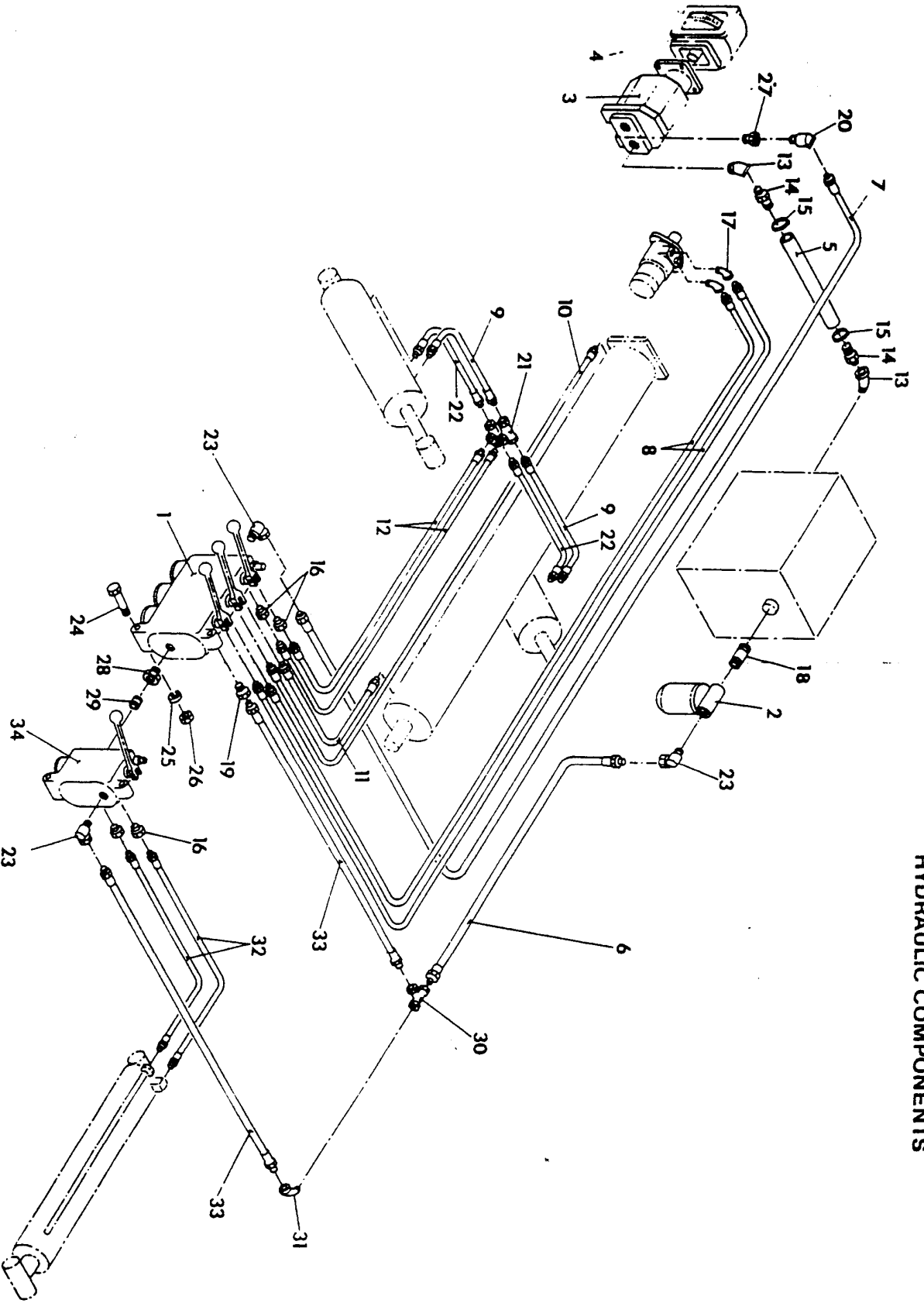
Ref. No.	Part No.	Description	Qty.
1	C2-100-2-00006	Outer Tube	1
2	C2-100-2-00007	Inner Tube	1
3	C1-700-1-00001	Towbar Cylinder	1
4	A4-100-2-00034	Cylinder Cross Pin	1
5	A2-100-2-00037	Cylinder Base Pin	1
6	7-690-1-43244	Expansion Pin	1
7	A4-533-0-00548	Spacer	2
8	7-440-0-00000	Grease Fitting	3
9	C1-100-2-00004	Keyslot Towhitch	1
10	A2-100-2-00010	Hitch Pin	1
11	7-660-2-61630	Hex Locknut	1
12	A4-534-0-00300	Clip	1
13	5-530-0-00084	Safety Chain	1
14	A2-533-1-00022	Towbar Attaching Pin	1
15	7-690-1-03210	Cotter Pin	1
16	A2-533-1-00019	Height Adjusting Pin	2
17	5-533-0-00106	Hair Pin	2
18	7-364-0-00423	4 Way Connector	1
19	7-111-1-40613	Truss Head Screw	2
20	7-660-1-40000	Hex Nut	2
21	7-950-1-40251	Flatwasher	2
22	7-950-1-40000	Lockwasher	2
23	5-533-0-00145	Junction Box	1
24	7-790-1-40856	Self-tapping Screw	2
25	C2-100-2-00026	Strap Towhitch	1
26	5-533-0-00236	Strap	2
27	B4-100-3-00080	Keyslot	2
28	A4-100-3-00079	Clamp Bar	2
29	7-111-1-61253	Hex Head Bolt	
30	7-660-1-60000	Hex Nut	
31	7-950-1-60000	Lockwasher	
32	A4-100-3-00078	Clamp Bar	
33	7-111-1-63253	Hex Head Bolt	
34	B4-530-0-00065	Valve Mounting Bracket	

HYDRAULIC TOWBAR



Rev. _____
Date _____

HYDRAULIC COMPONENTS

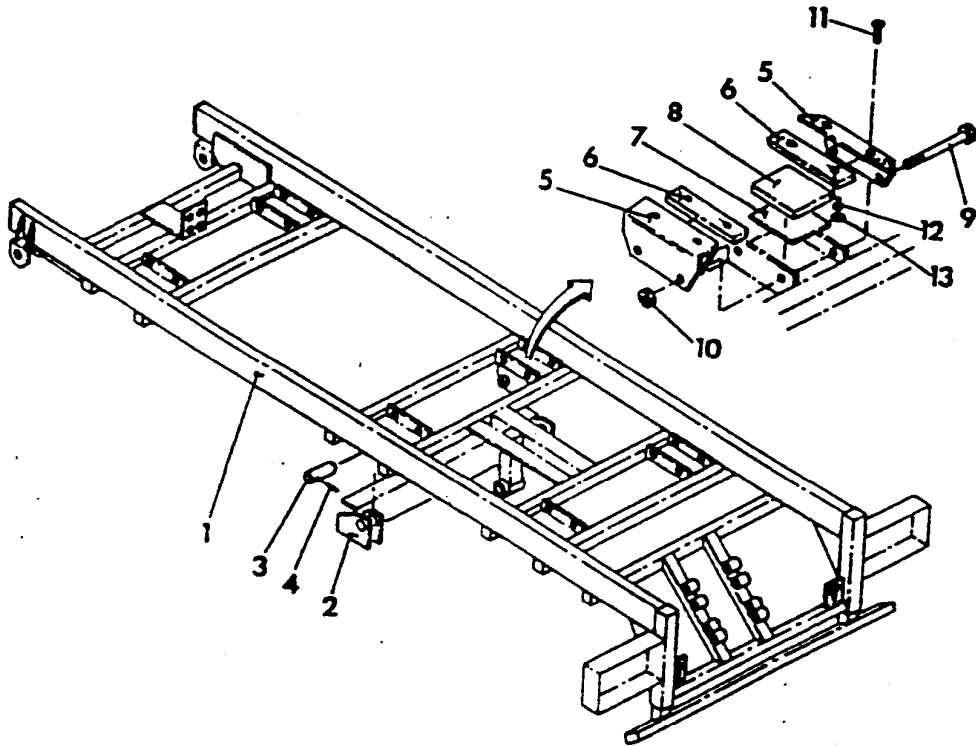


PARTS LIST-HYDRAULIC COMPONENTS

Ref. No.	Part No.	Description	Qty.
1	5-525-0-00202	Gresen Valve	1
	3-525-0-00206	Cross Valve	1
2	3-525-0-00216	Filter	1
3	3-527-0-00068	Pump	1
4	as required	P.T.O.	1
5	*	Suction Hose	1
6	*	Return Hose	1
7	*	Pressure Hose	1
8	*	Winch Hose	2
9	*	Rod End Tilt Cylinder Hose	2
10	*	Barrel End Rollback Cylinder Hose	1
11	*	Rod End Rollback Cylinder Hose	1
12	*	Valve To Tee Tilt Cylinder Hose	2
13	7-444-1-01090	Black Pipe Street Elbow	2
14	7-445-2-02078	Hose Nipple Adapter	2
15	5-527-0-00067	Hose Clamp	2
16	7-444-0-40354	Reducer	8
17	7-445-0-80604	90° Swivel Elbow	2
18	7-650-0-60160	Pipe Nipple	1
19	7-444-0-60454	Reducer	1
20	7-445-0-80809	45° Swivel Elbow	1
21	7-445-0-60614	Swivel Tee	2
22	*	Barrel End Tilt Cylinder Hose	2
23	7-445-1-20804	90° Swivel Elbow	3
24	7-111-162053	Hex Head Bolt	6
25	7-950-160000	Lockwasher	6
26	7-660-1-60000	Hex Nut	6
27	7-444-0-80454	Reducer	1
28	5-525-0-00533	Power Beyond Kit	1
29	7-650-0-60200	Nipple	1
30	5-523-0-00094	Pipe Tee	1
31	7-444-0-40470	Black Pipe Street Elbow	1
32	*	Towbar Cylinder Hose	2
33	*	Return Jumper Hose	2
	3-525-0-00217	Cross Valve	
34	5-530-0-00064	Gresen Valve	1

* When Ordering replacement hoses measure length and which hose is needed.

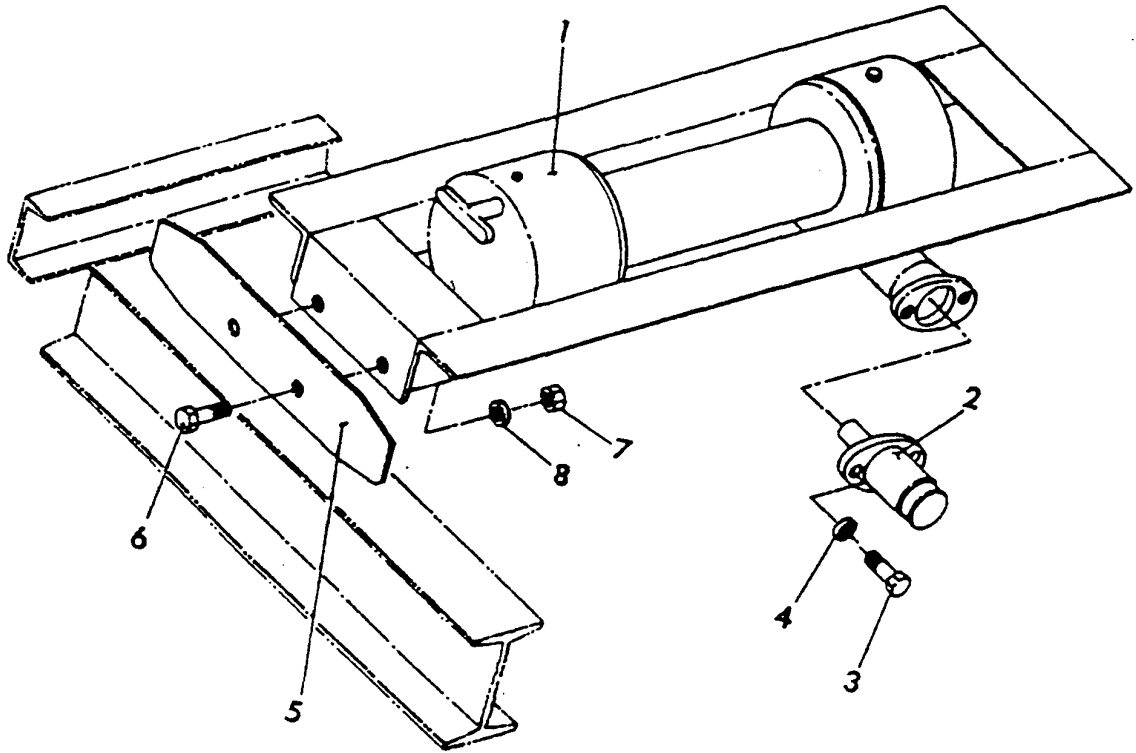
SUBFRAME



PARTS LIST-SUB FRAME COMPONENTS

Ref. No.	Part No.	Description	Qty.
1	D2-533-1-00047	Sub Frame	1
2	C2-534-0-00158	Trunnion	1
3	A4-533-1-00090	Hinge Pin	2
4	7-690-0-34040	Roll Pin	2
5	B4-534-0-00169	Nylatron Holder	12
6	A4-525-0-00653	Wear Pad	12
7	A4-534-0-00176	Nylatron Spacer	6
8	A4-534-0-00171	Nylatron Pad	6
9	7-115-1-82850	Hex Head Bolt	12
10	7-660-1-81600	Hex Lock Nut	12
11	7-111-1-61208	Flat Head Screw	24
12	7-950-1-6000	Lockwasher	24
13	7-660-1-60000	Hex Nut	24

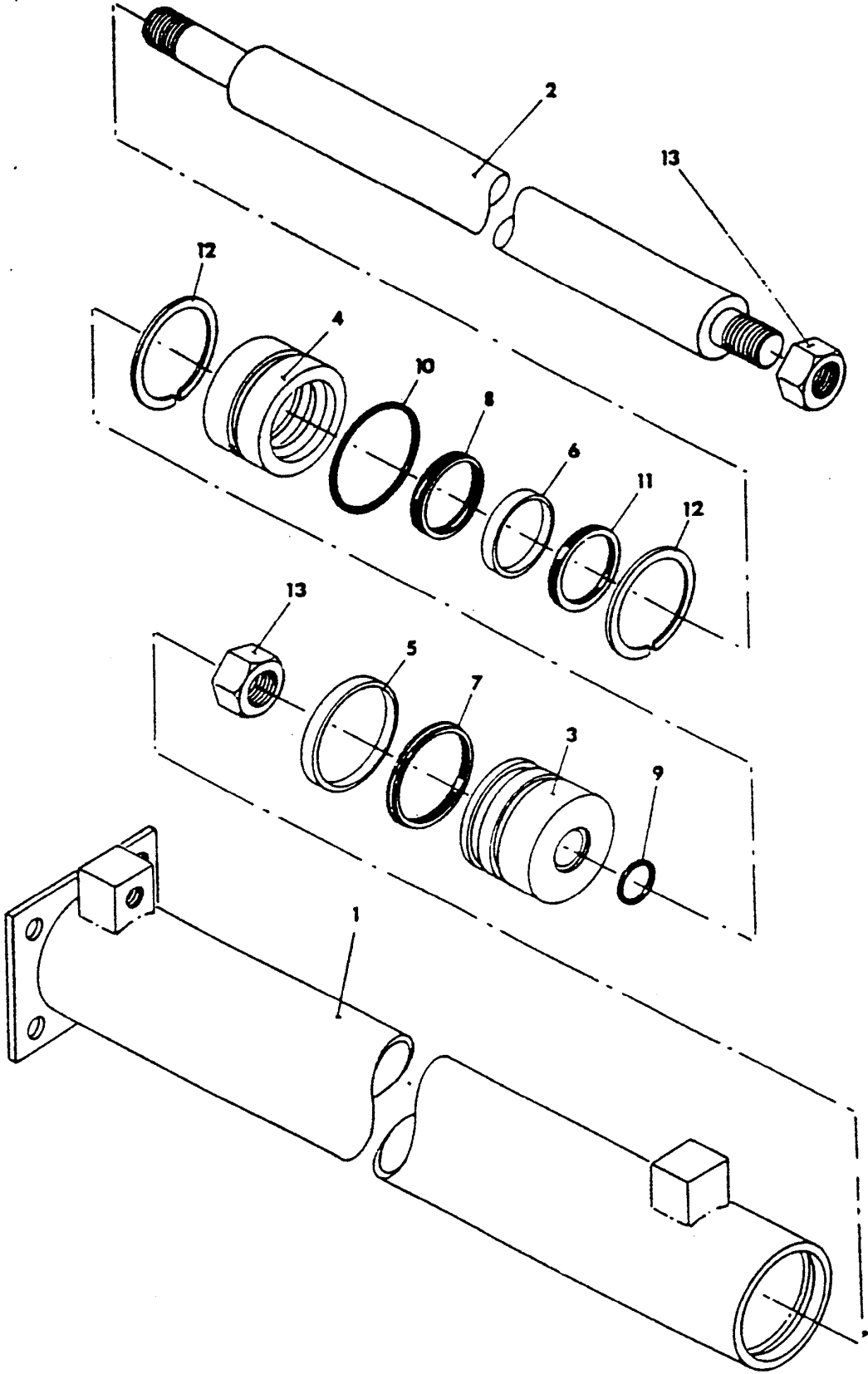
WINCH ASSEMBLY



PARTS LIST-WINCH ASSEMBLY

Ref. No.	Part No.	Description	Qty.
1	C2-537-0-00008	8,000 # Ramsey Winch	1
2	3-533-0-00032	Orbit Motor	1
3	7-111-1-81053	Hex Head Capscrew	2
4	7-950-1-80450	Lockwasher	2
5	B4-533-0-00630	Tie Plate	2
6	7-105-1-81450	Hex Head Bolt	4
7	7-660-1-82317	Hex nut	4
8	7-950-1-80153	Lockwasher	4

ROLL BACK CYLINDER

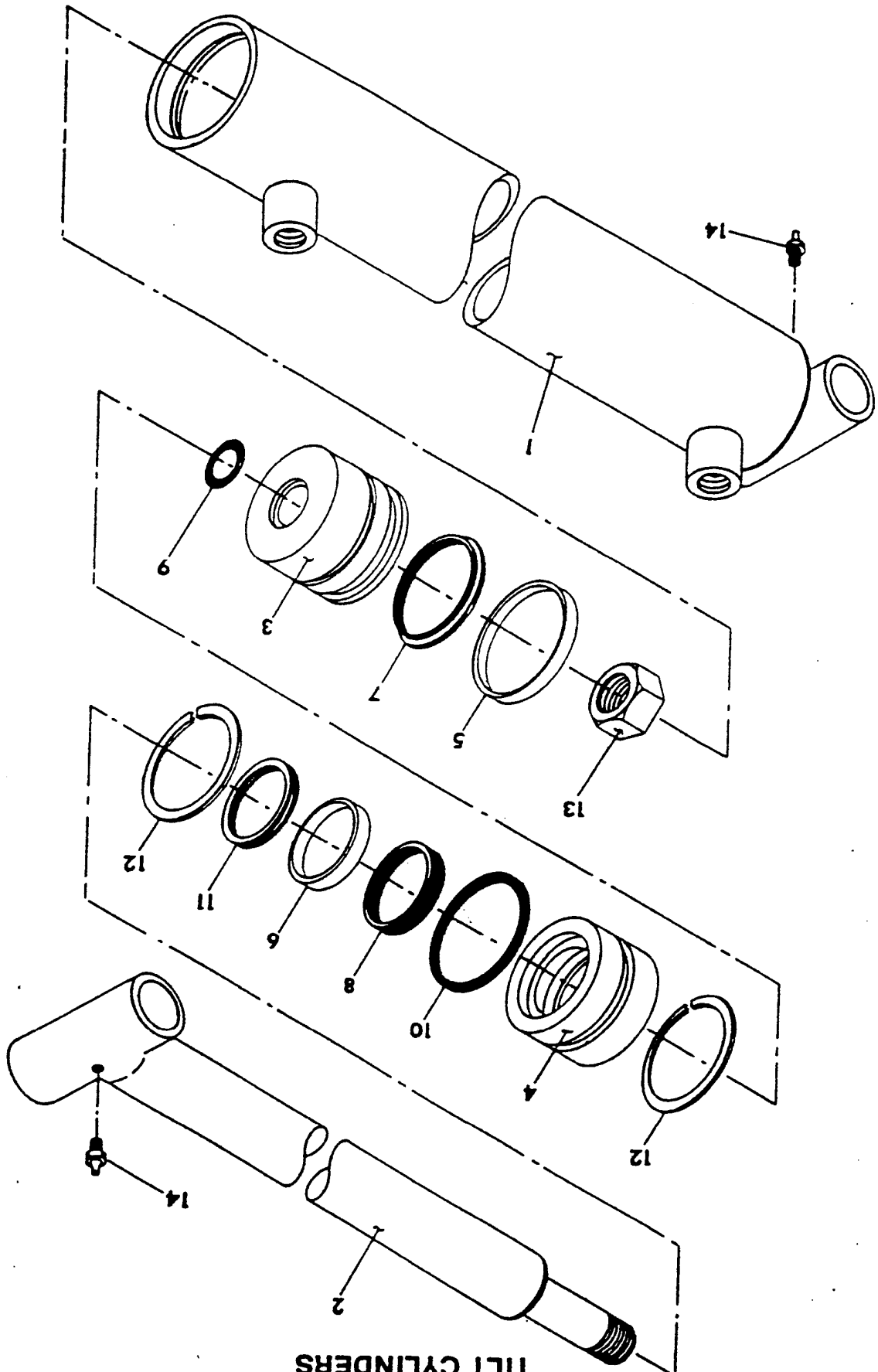


PARTS LIST-ROLL BACK CYLINDER

Ref. No.	Part No.	Description	Qty.
1	C2-700-2-00014	Barrel	1
2	B4-700-2-00033	Rod	1
3	B4-700-2-00008	Piston	1
4	B4-700-2-00009	Head	1
5	A5-700-0-00005*	Ring, Wear	1
6	A5-700-0-00006*	Ring, Wear	1
7	A5-700-0-00001*	Seal, Piston 'T'	1
8	A5-700-0-00002*	Seal, Rod	1
9	7-755-2-14000*	'O' Ring	1
10	7-755-3-34000*	'O' Ring	1
11	A5-700-0-00003*	Seal, Rod Wiper	1
12	A5-700-0-00004	Ring, Retaining	2
13	7-660-2-61632	Nut, Lock	2

* Available only in Service Kit No. 9-700-0-00001

TILT CYLINDERS



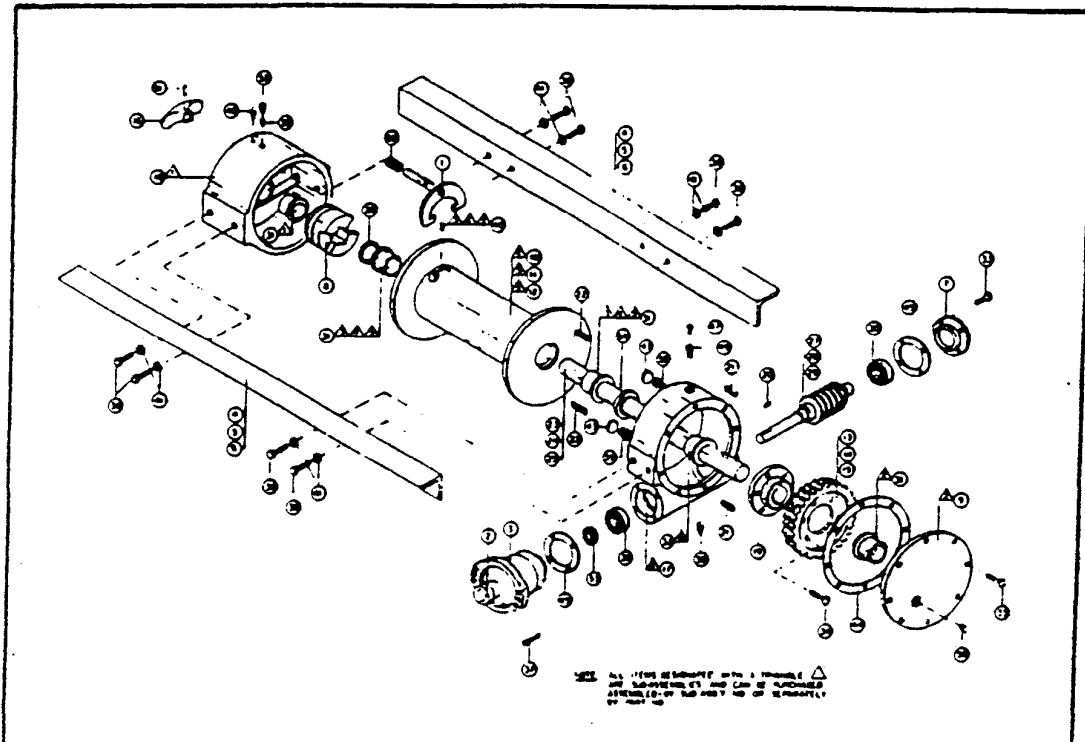
4.13

Rev. _____
Date _____

PARTS LIST-TILT CYLINDER

Ref. No.	Part No.	Description	Qty.
1	C2-700-2-00033	Barrel	1
2	B2-700-2-00034	Rod	1
3	B4-700-2-00008	Piston	1
4	B4-700-2-00009	Head	1
5	A5-700-0-00005*	Ring, Wear	1
6	A5-700-0-00006*	Ring, Wear	1
7	A5-700-0-00001*	Seal, Piston 'T'	1
8	A5-700-0-00002*	Seal, Rod	1
9	7-755-2-14000*	'O' Ring	1
10	7-755-3-34000*	'O' Ring	1
11	A5-700-0-00003*	Seal, Rod Wiper	1
12	A5-700-0-00004	Ring, Retaining	2
13	7-660-2-61632	Nut, Lock	1
14	7-440-0-00000	Fitting, Grease	2

* Available only in Service Kit No. 9-700-0-00001



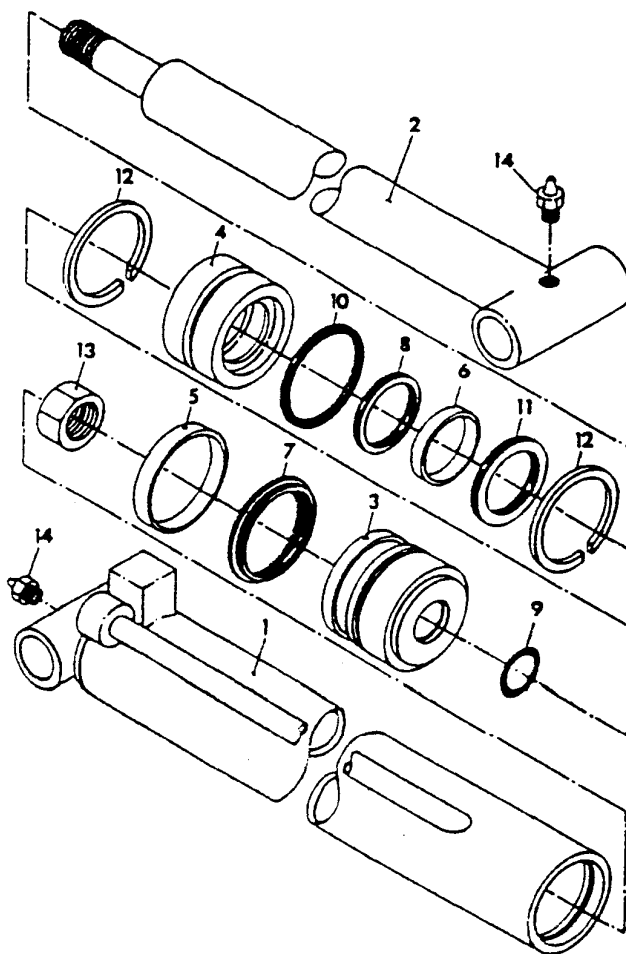
MATERIAL LISTING

ITEM NO.	QTY REQD	PART NO.	DESCRIPTION	ITEM NO.	QTY REQD	PART NO.	DESCRIPTION	ITEM NO.	QTY REQD	PART NO.	DESCRIPTION
1	1	278028	Shifter Assy.	27	1	368002	Worm 48:1 Ratio	41	8	418177	Lckwasher 3/8 Mod. Section
2	1	299037	Coupling Assy.	28	1	368007	Worm 60:1 Ratio				
3	1	300037	Adapter	29	1	368011	Worm 30:1 Ratio				
4	2	302421	Angle "Std's"	30	2	402002	Ball Bearing				
5	2	302423	Angle "Y" Mod's.	31	4	412003	Bushing	43	2	438001	Drag Brake
6	2	302525	Angle "B" Mod's.	32	1	412007	Bushing	44	1	442001	Gasket
7	1	318083	Bearing Cap	33	12	414049	Capcrew X-20NC x 3/4 Hx. Hd. C.P	45	2	442002	Gasket
8	1	324137	Jaw Clutch				Capcrew 5/16-18NC x 3/4 Hx. Hd.	46	1	456001	Lub Fitting
9	1	328105	Cover	34	6	414110	Capcrew 5/16-18NC x 3/4 Hx. Hd.	47	1	458008	Relief Fitting
10	1	332002	Drum "B" Mod.				Capcrew 3/8-18NC x 3/4 Hx. Hd. C.P.	49	1	468002	Reducer
11	1	332005	Drum "Std's."	35	2	414309	Capcrew 3/8-18NC x 3/4 Hx. Hd. C.P.	50	2	468011	Pipe Plug
12	1	332079	Drum "Y" Mod.				Capcrew 3/8-18NC x 1 Hx. Hd. C.P.	51	1	470033	Spiral Pin
13	1	334004	Gear 60:1 Ratio	36	6	414310	Capcrew 3/8-18NC x 1 Hx. Hd. C.P.	52	1	472012	Plug-Rubber
14	1	334005	Gear 48:1 Ratio				Capcrew X-20NC x 1 3/4 Hx. Soc. Hd.	53	1	488009	Oil Seal
15	1	334020	Gear 30:1 Ratio	37	4	414842		54	1	488017	Oil Seal
16	1	338010	Handle					55	2	494002	Spring
17	1	338017	Housing-Gear					56	1	494053	Spring
18	1	338208	Housing-Clutch								
19	1	340001	Hub-Gear								
20	1	342029	Key								
21	2	342075	Key	39	1	418030	Setcrew X-20NC x 3/8 Hx. Soc. Hd. Less-Full Dog Point				
22	2	450006	Key (Barth)				Setcrew 3/8-18NC x 3/8 Hx. Soc. Hd. Less-Full Dog Point	40	1	418057	
23	1	357403	Shft-Drum "Std's"								
24	1	357406	Shft-Drum "Y"								
25	1	357408	Shft-Drum "B"								
26	1	368016	Spacer								

SUB ASSEMBLY LISTING

ITEM NO.	QTY REQD	PART NO.	DESCRIPTION	ITEM NO.	QTY REQD	PART NO.	DESCRIPTION
△	1	222038	Clutch Assy	△	1	234080	Drum Ass'y. ("Y")
△	1	228086	Cover Ass'y. (G.H.)	△	1	258006	Gear Hq. Ass'y.
△	1	234004	Drum Ass'y. (Std.)				
△	1	234019	Drum Ass'y. ("B")				

TOWBAR CYLINDER



PARTS LIST-TOWBAR CYLINDER

Ref. No.	Part No.	Description	Qty.
1	C2-700-2-00001	Barrel	1
2	B2-700-2-00002	Rod	1
3	B4-700-2-00008	Piston	1
4	B4-700-2-00009	Head	1
5	A5-700-0-00005*	Ring, Wear	1
6	A5-700-0-00006*	Ring, Wear	1
7	A5-700-0-00001*	Seal, Piston 'T'	1
8	A5-700-0-00002*	Seal, Rod	1
9	7-755-2-14000*	'O' Ring	1
10	7-755-3-34000*	'O' Ring	1
11	A5-700-0-00003*	Seal, Rod Wiper	1
12	A5-700-0-00004	Ring, Retaining	2
13	7-660-2-61632	Nut, Lock	1
14	7-440-0-00000	Fitting, Grease	2

* Available only in Service Kit No. 9-700-0-00001