
\$35.00

HPL35

**OPERATION, MAINTENANCE,
AND PARTS MANUAL**

JERR-DAN

An Oshkosh Truck Corporation Company

1080 Hykes Road
Greencastle, PA 17225 Phone (717) 597-7111
www.jerr-dan.com

B-KE

Part Number 5-376-000004
Rev. 1

PARTS LIST - SUBFRAME

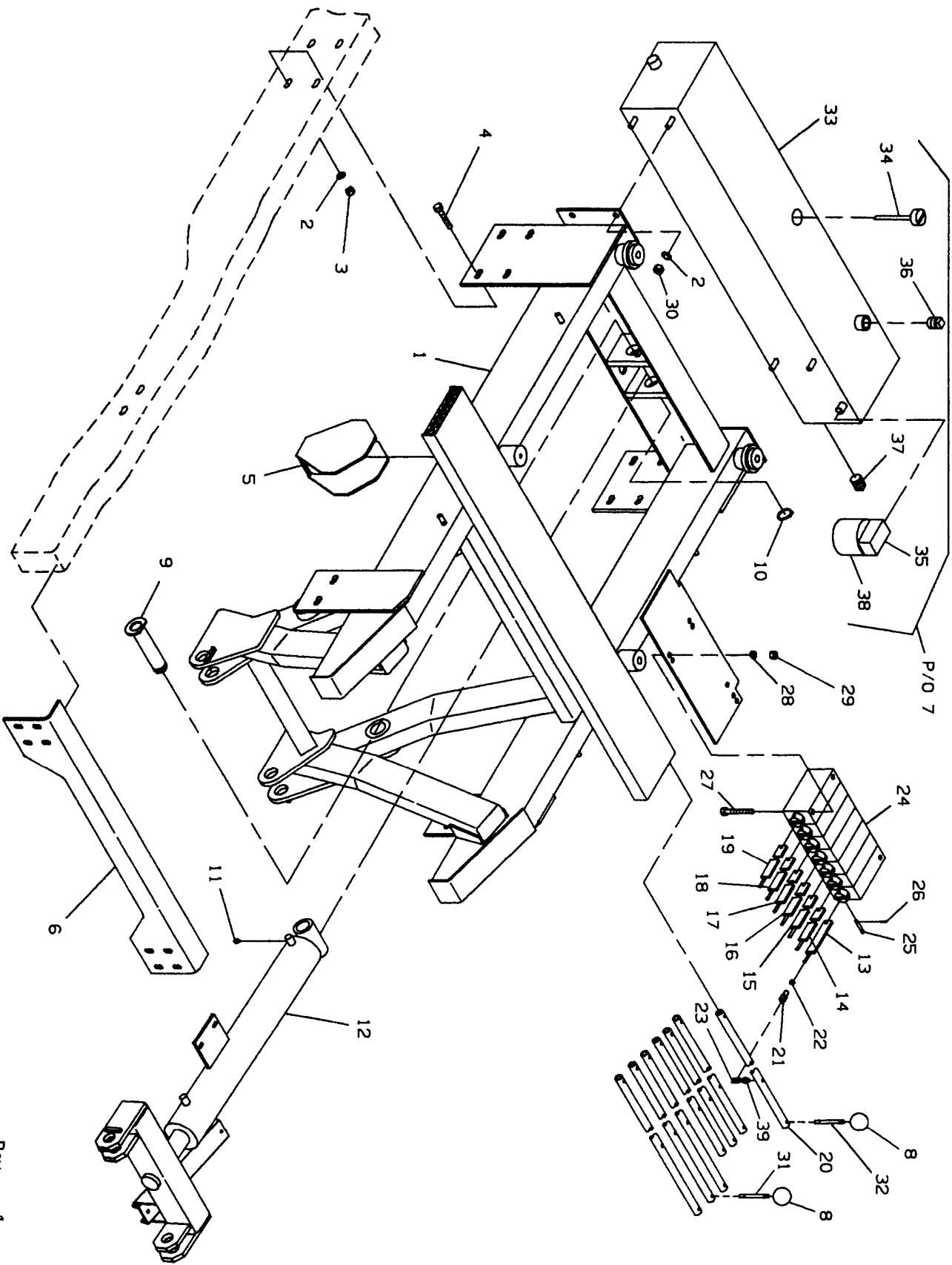
Ref. No.	Part No.	Description	Qty.
1	3502700001	Subframe	1
2	7950180161	Flatwasher	16
3	7660182301	Locknut	12
4	7115181250	Capscrew	12
5	3178000154	Bracket	2
6	4017000387	Angle	1
7	3750000010	Oil Reservoir Assembly	1
8	7551000002	Knob	14
9	3691000063	Pin	1
10	7754000033	Retaining Ring	1
11	7440030000	Grease Fitting	1
12	3320000042	Wheel Lift Lift Cylinder	1
13	3763000058(B)	Rod	1
14	3763000062	Rod	1
15	3763000059(ABC)	Rod	1
16	3763000063	Rod	1
17	3763000060(AB)	Rod	1
18	3763000067	Rod	1
19	3763000061(AB)	Rod	1
20	4763000154	Rod	7
21	7990000003	End Yoke w/Clevis & Cotter	7
22	7660140230	Jam Nut	7
23	7765000006	Rod End	7
24	4935000035	Valve	1
25	7690141200	Clevis Pin	7
26	7690000810	Cotter Pin	7
27	7111162450	Capscrew	3
28	7950160252	Flatwasher	3
29	7660162601	Locknut	3
30	7660182601	Locknut	4
31	4763000150	Handle Rod	6
32	4763000151(A)	Handle Rod	6
	4763000151(B)	Handle Rod	8
	4763000151(C)	Handle Rod	2
33*	3750000009	Oil Reservoir	1
34*	4470000001	Dipstick	1
35*	7430000003	Oil Filter Assembly	1
36*	7701000025	Plug	1
37*	7701000026	Plug	1
38*	7431000001	Filter Element	1
39	7660160000	Hexnut	7

- A - Application with Single Winch Wrecker Boom
- B - Application with Dual Winch Wrecker Boom
- C - Application with Deck Mounted Winch

* Part of item 7 (Oil Reservoir Assembly)



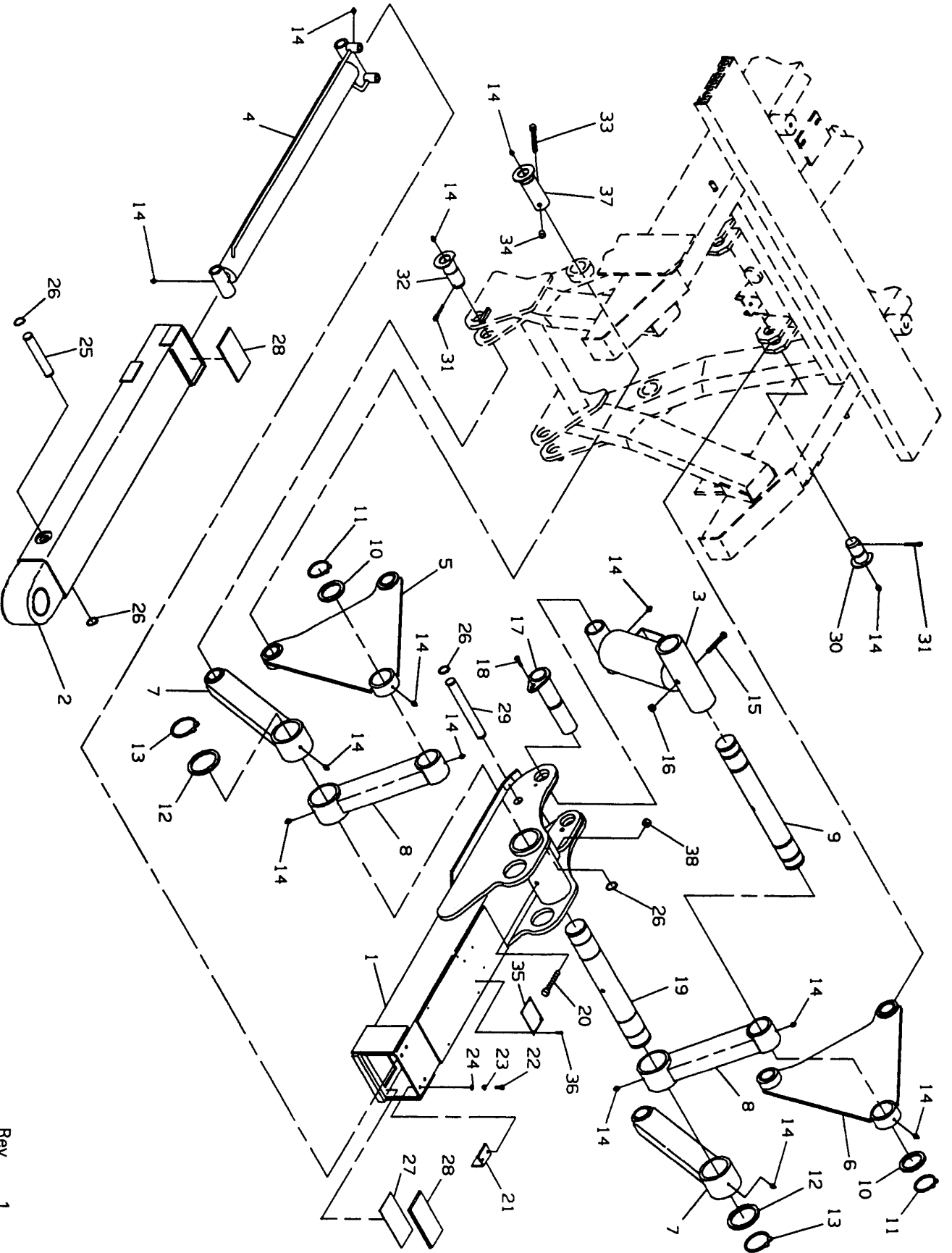
SUBFRAME



B-3

Rev. 1
Date 5-1-96

WHEEL LIFT BOOM



PARTS LIST - WHEEL LIFT BOOM

Ref. No.	Part No.	Description	Qty.
1	3511100059	Base Section	1
2	3511100058	Fly Section	1
3	3320000016	Tilt Cylinder	1
4	3320000017	Extension Cylinder	1
5	3512100018	Arm, LH	1
6	3512100017	Arm, RH	1
7	3511100054	Tube	2
8	3511100008	Tube	2
9	4691000054	Pin	1
10	4949000019	Washer	2
11	7754000017	Retaining Ring	2
12	4949000018	Washer	2
13	7754000018	Retaining Ring	2
14	7440030000	Grease Fitting	17
15	7115183250	Capscrew	1
16	7660182600	Locknut	1
17	3691000077	Pin	1
18	7118151424	Capscrew	1
19	4691000197	Pin	1
20	7115183650	Capscrew	1
21	4017000686	Angle	2
22	7118140427	Capscrew	4
23	7950140000	Lockwasher	4
24	7950140161	Flatwasher	4
25	4691000120	Pin	1
26	7754000019	Retaining Ring	4
27	4812000038	Shim	1
28	4679000046	Wear Pad	2
29	4691000121	Pin	1
30	3691000060	Pin	2
31	7690103210	Cotter Pin	4
32	3691000066	Pin	2
33	7115162650	Capscrew	2
34	7660162601	Locknut	2
35	7330000001	Serial Number Tag	1
36	7759000004	Rivet	4
37	3691000086	Pin	2
38	7660182601	Locknut	1

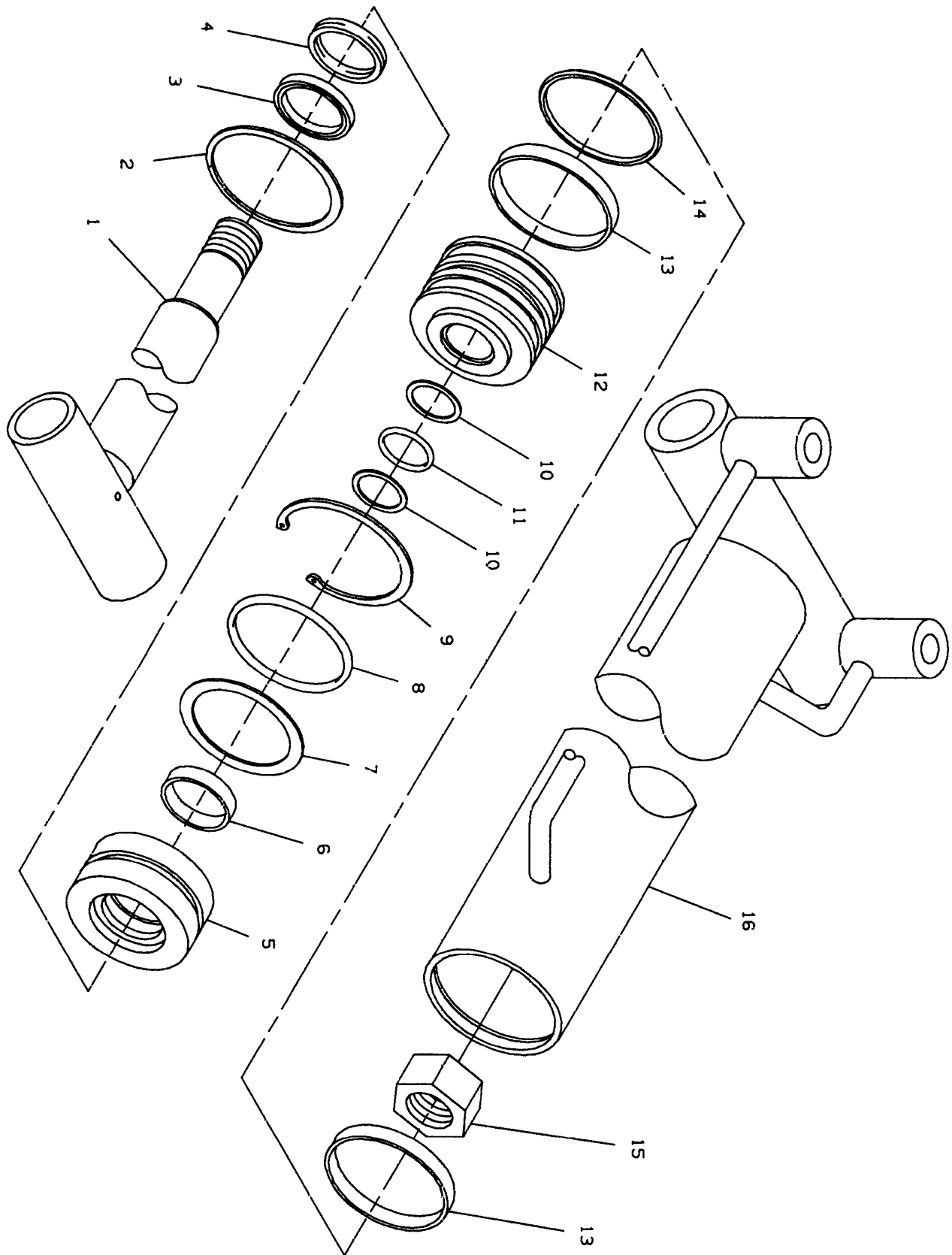


**PARTS LIST - WHEEL LIFT BOOM EXTENSION CYLINDER
332000017**

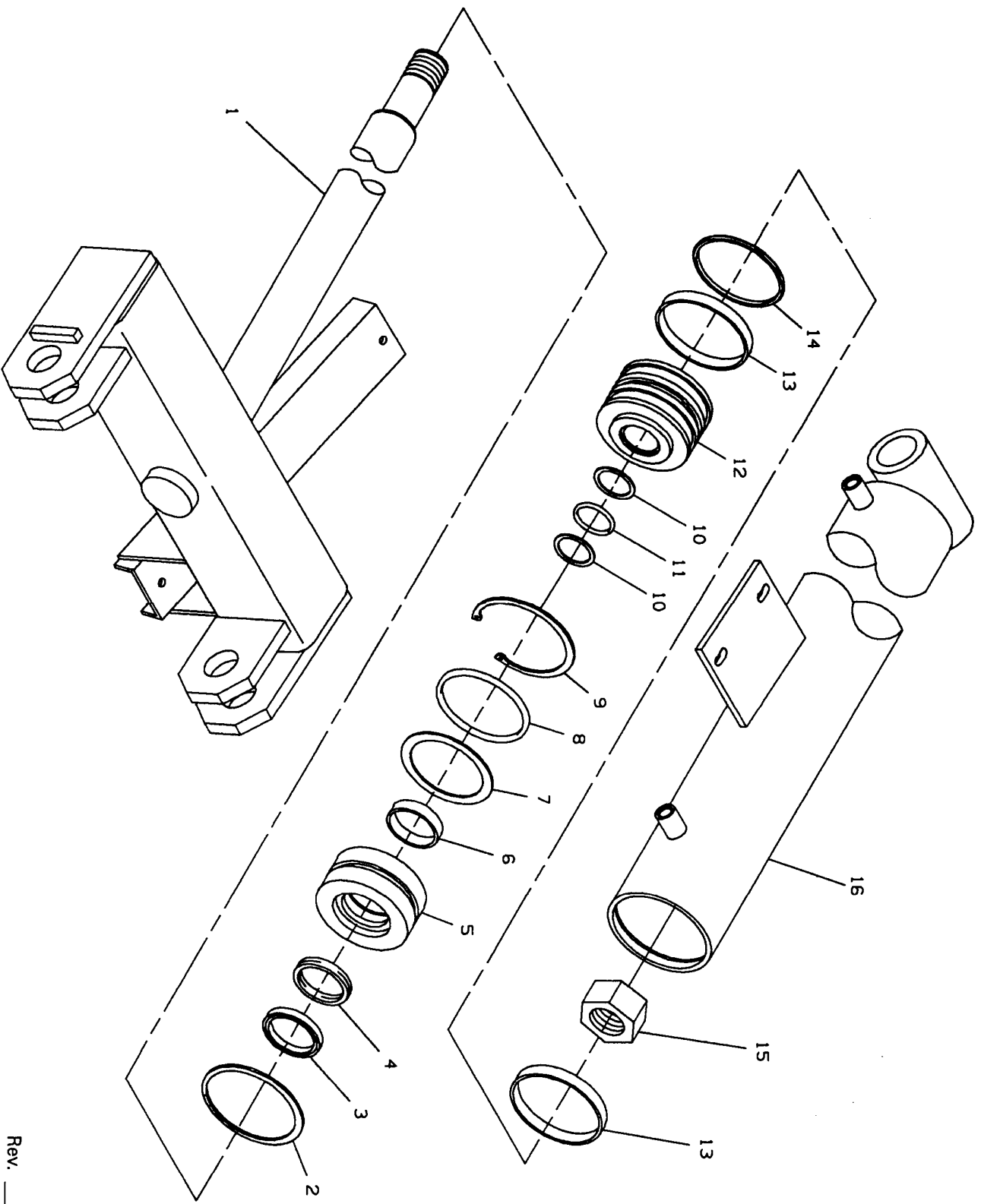
Ref. No.	Part No.	Description	Qty.
1	3763000042	Cylinder Rod	1
2	7754000025	Retaining Ring	1
3	7796000005*	Rod Wiper Seal	1
4	7796000023*	Rod Seal	1
5	4553000011	Aluminum Head	1
6	7754000036*	Wear Ring	1
7	7755327609*	Backup Ring	1
8	7755327000*	O-Ring	1
9	7754000001	Retaining Ring	1
10	7755214609*	Back-up Ring	2
11	7755214000*	O-Ring	1
12	4698000011	Piston	1
13	7796000030*	Wear Ring	2
14	7796000026*	Piston Seal	1
15	7660202031	Locknut	1
16	3071000016	Barrel	1

* - Available Only in Service Kit No. 7577250023

WHEEL LIFT BOOM EXTENSION CYLINDER
3320000017



WHEEL LIFT LIFT CYLINDER
3320000042



**PARTS LIST - WHEEL LIFT LIFT CYLINDER
332000042**

Ref. No.	Part No.	Description	Qty.
1	3763000052	Cylinder Rod	1
2	7754000027	Retaining Ring	1
3	7796000011*	Rod Wiper Seal	1
4	7796000025*	Rod Seal	1
5	4553000010	Aluminum Head	1
6	7754000012*	Piston Wear Ring	1
7	7755338609*	Backup Ring	1
8	7755338000*	O-Ring	1
9	7754000016	Retaining Ring	1
10	7755226609*	Backup Ring	2
11	7755226000*	O-Ring	1
12	4698000009	Piston	1
13	7796000013*	Wear Ring	2
14	7796000014	Piston Seal	1
15	7660342031	Locknut	1
16	3071000030	Barrel	1

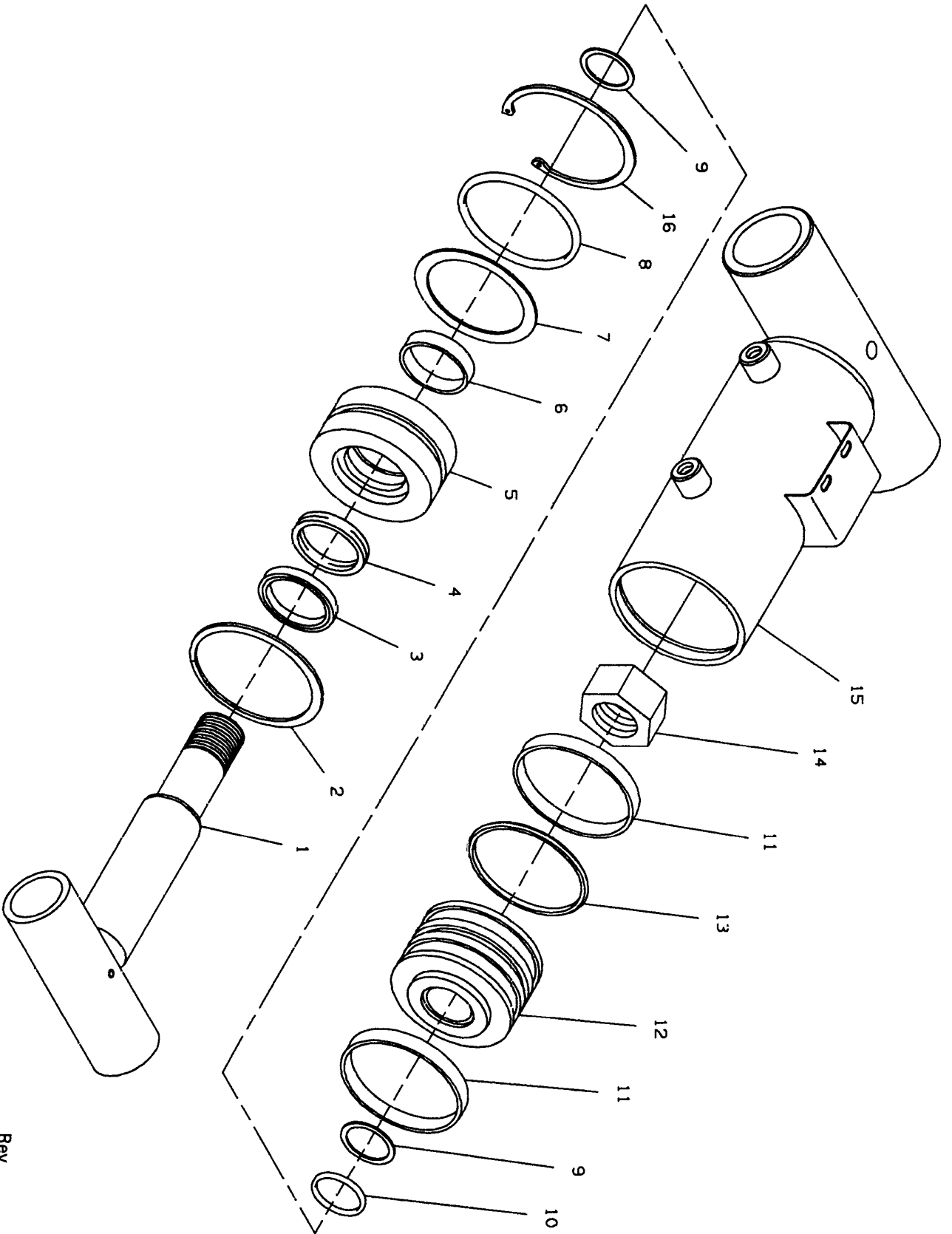
* - Available Only in Service Kit No. 7577250025

**PARTS LIST - TILT CYLINDER
332000016**

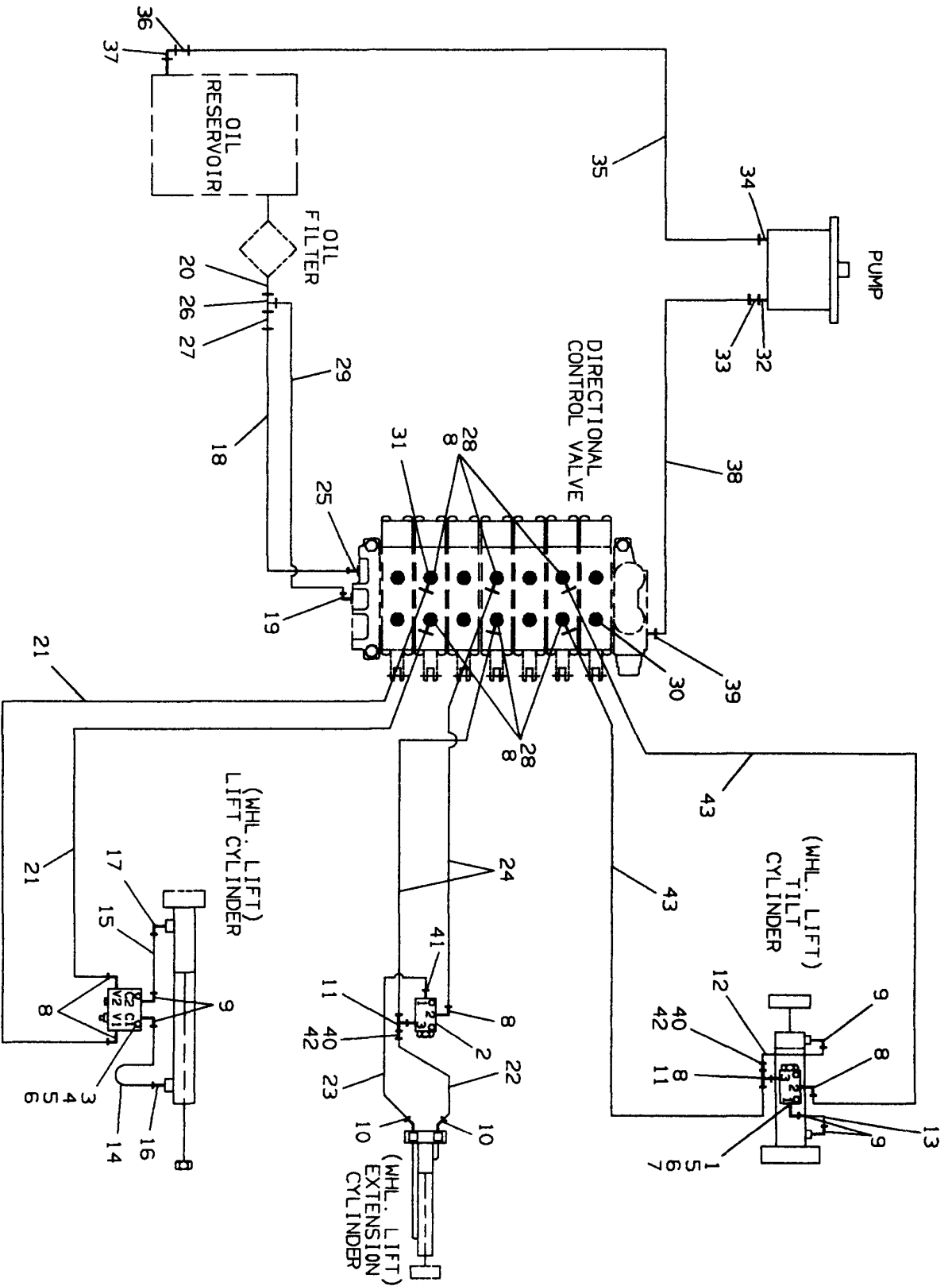
Ref. No.	Part No.	Description	Qty.
1	3763000043	Cylinder Rod	1
2	7754000028	Retaining Ring	1
3	7796000011*	Rod Wiper Seal	1
4	7796000025*	Rod Seal	1
5	4553000009	Aluminum Head	1
6	7754000012*	Piston Wear Ring	1
7	7755342609*	Back-up Ring	1
8	7755342000*	O-Ring	1
9	7755226609*	Back-up Ring	2
10	7755226000*	O-Ring	1
11	7754000011*	Piston Wear Ring	2
12	4698000008	Piston	1
13	7796000009*	Piston Seal	1
14	7660342031	Locknut	1
15	3071000017	Barrel	1
16	7754000013	Retaining Ring	1

* - Available Only in Service Kit No. 7577250025

TILT CYLINDER
332000016



HYDRAULIC COMPONENTS



PARTS LIST - HYDRAULIC COMPONENTS

Ref. No.	Part No.	Description	Qty.
1	7935000001	Counter Balance Valve	1
2	7935000016	Sun Check Valve	1
3	7935000011	Sun Valve	1
4	7111151650	Capscrew	2
5	7950150161	Flatwasher	4
6	7660152600	Hex Nut	4
7	7115152650	Capscrew	2
8	7445040643	Adapter	10
9	7445040645	Elbow - 90°	5
10	7445040446	Elbow - 45°	2
11	7445060647	Branch Tee	2
12	7912000030	Tube	1
13	7912000013	Tube	1
14	7912000005	Tube	1
15	7912000017	Tube	1
16	7445040443	Adapter	1
17	7445040445	Elbow - 90°	1
18	4567362029	Hose	1
19	7445121245	Elbow - 90°	1
20	7445121619	Adapter	1
21	4567320044	Hose	2
22	4567210021	Hose	1
23	4567210017	Hose	1
24	4567320085	Hose	2
25	7445081243	Adapter	1
26	7443000012	Tee	1
27	7443000049	Reducer	1
28	7443000067	Reducer	6
29	4567332030	Hose	1
30	7443000029	Plug	8
31	7443000108	Restrictor	1
32	**	Fitting	
33	**	Fitting	
34	**	Fitting	
35	**	Suction Hose	1
36	**	Fitting	
37	**	Fitting	
38	**	Pressure Hose	1
39	**	Fitting	
40	7443000105	Reducer	2
41	7445040643	Adapter	1
42	7443000106	Nut	2
43	4567120087	Hose	2

** Consult Factory for Part Numbers and Quantities

**ALUMINUM
BODY PARTS**

B-KE

C-1

Part Number 5-376-000010
Rev. 1

PARTS LIST - BODY

Ref. No.	Part No.	Description	Qty.
1	3512300066	Deck	1
2	3899000018(BC)	Toolbox, LH	1
3	3899000017(C)	Toolbox, RH	1
4	4679000070(BC)	Rubber Pad	1
5	4679000069(C)	Rubber Pad	1
6	4415000009	Fender, LH	1
7	4415000010	Fender, RH	1
8	3502300020	Tail Plate, LH	1
9	3502300019	Tail Plate, RH	1
10	3502300022	Tail Piece, LH	1
11	3502300021	Tail Piece, RH	1
12	4706000948	Tail Piece	1
13	7701000003	Hole Plug	3
14	7111140650	Capscrew	9
15	4706000030	Back-up Plate	2
16	7002000011	Folding Step	2
17	7189000007(C)	Rubber Bumper	4
	7189000007(B)	Rubber Bumper	2
18	4706001518	Mud Cover Plate	1
19	7660162601	Locknut	7
20	7114140818	Capscrew	26
21	7115161050	Capscrew	37
22	7114141023	Capscrew	6
23	7660142600	Locknut	32
24	7950140161	Flatwasher	40
25	7950160161	Flatwasher	31
26	7950160000	Lockwasher	26
27	7111151013	Screw	4
28	7950150161	Flatwasher	4
29	7660152600	Hexnut	4
30	7413000002	Nutsert	12
31	7259000004	Tail Light Housing	4
32	7111140850	Capscrew	3
33	4706000397	Plate, LH	1
34	4706000398	Plate, RH	1
35	4706001094	Mud Cover Plate	1
36	7790101611	Screw	12
37	4706001519	Mud Cover Mtg Plate	1
38	7330000166(D)	Cover Plate	2
	7314000002(E)	Cover Plate	2
39	7790141076	Screw	8
40	7330000001	Serial Number Tag	1
41	7759000004	Rivets	4

Rev. 1

C-3

Date 5-1-96

Ref. No.	Part No.	Description	Qty.
42	3686000005(A)	Body Panel, LH	1
43	3686000004(AB)	Body Panel, RH	1
44	4017000478	Mounting Angle, LH - 19"	1
	4017000479	Mounting Angle, LH - 21"	1
	4017000481	Mounting Angle - 24"	1
45	4706001123	Back-Up Plate - 19"	2
	4706001124	Back-Up Plate - 21"	2
	4706001125	Back-Up Plate - 24"	2
46	4178000073	Bracket	2
47	7638000003	Mud Flap - 19"	2
	4638000001	Mud Flap - 24"	2
48	7111151010	Machine Screw	8
49	7950150161	Flatwasher	14
50	7950150000	Lockwasher	14
51	7660150000	Hexnut	14
52	7111150850	Capscrew	6
53	4017000482	Mounting Angle, RH - 19"	1
	4017000480	Mounting Angle, RH - 21"	1
	4017000481	Mounting Angle - 24"	1
54	3708000002	Tow Sling Bracket, LH	1
55	7115181450	Capscrew	8
56	7660182301	Locknut	8
57	4706000717	Plate	4
58	7660162601	Locknut	4
59	3455000003	Door and Frame	1
60	7595000001	Paddle Handle Lock	1
61	7759000001	Rivet	32
62	3708000003	Tow Sling Bracket, RH	1

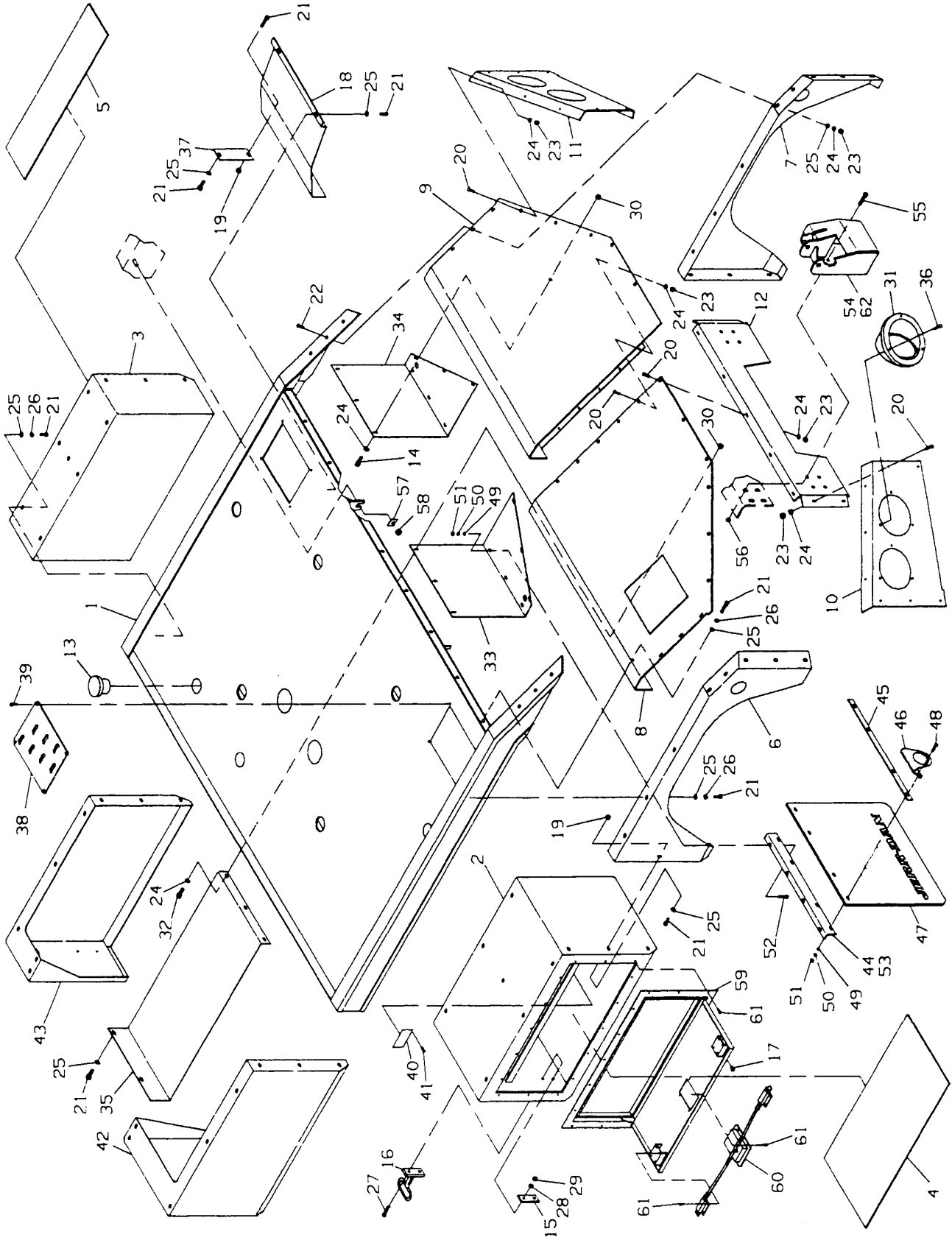
- A - Application with no toolboxes
- B - Application with Driver's Side Toolbox
- C - Application with Toolboxes, Both Sides
- D - HPL Applications
- E - MPG/EPG™ Applications

Rev. 1

C-4

Date 5-1-96

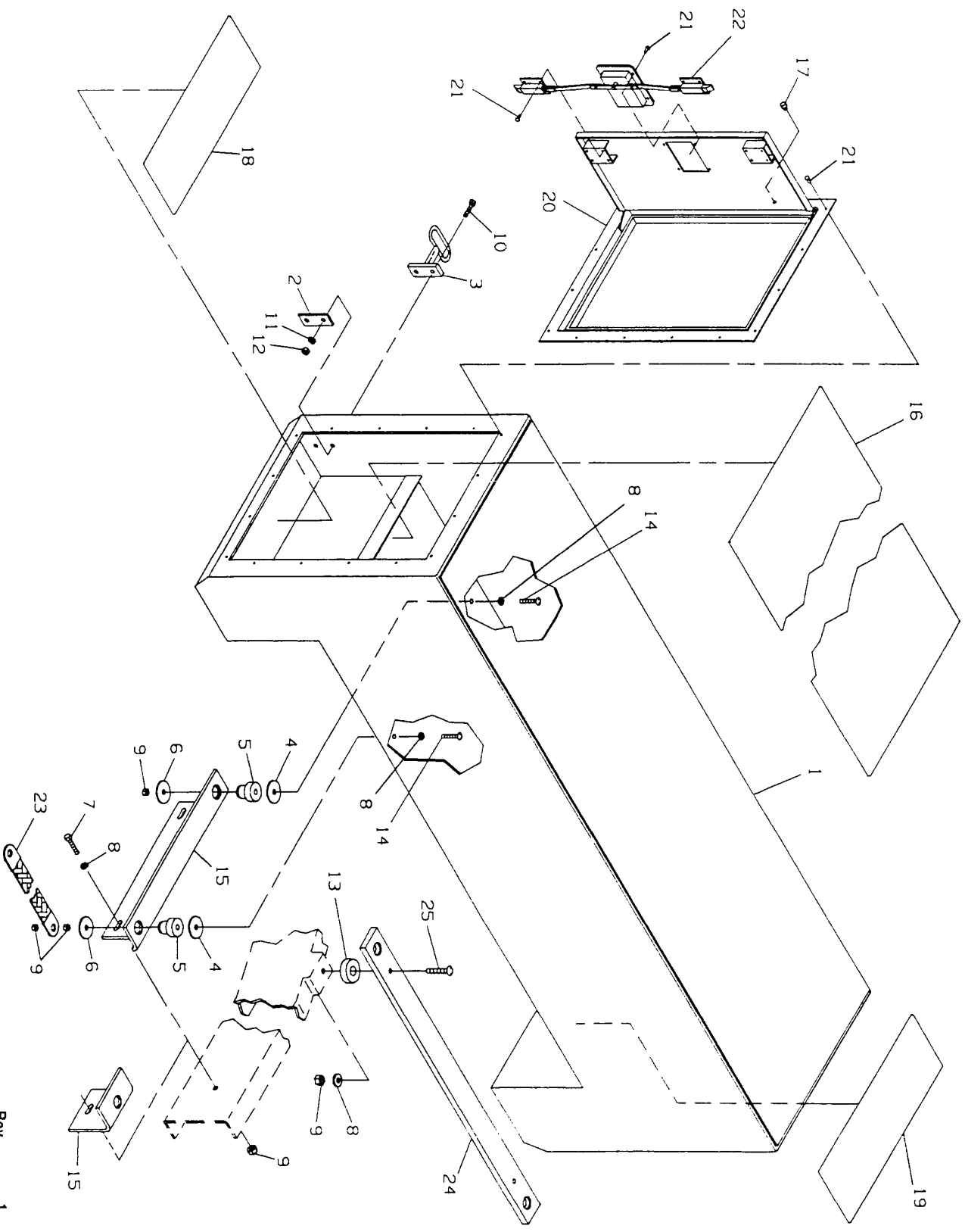
BODY



Rev. 1

Date 5-1-96

24" TUNNEL TOOLBOX



C-6

Rev. 1
Date 5-1-96

PARTS LIST — 24" TUNNEL TOOLBOX

Ref. No.	Part No.	Description	Qty.
1	3899000042	Toolbox	1
2	4706000030	Back-Up Plate	2
3	7002000011	Folding Step	2
4	7949000013	Washer	4
5	7636000005	Rubber Mount	4
6	7949000012	Washer	4
7	7115181450(A)	Capscrew	4
	7115181450(B)	Capscrew	2
8	7950180161(A)	Flatwasher	8
	7950180161(B)	Flatwasher	10
9	7660182301	Locknut	9
10	7111151013	Screw	4
11	7950150161	Flatwasher	4
12	7660152600	Hex Nut	4
13	4831000060(B)	Spacer	2
14	7115182650	Capscrew	4
15	4017000674(A)	Angle	2
	4017000675(B)	Angle	2
16	4679000107	Rubber Pad	1
17	7189000010	Rubber Bumper	4
18	4679000029	Rubber Pad, LH	1
19	4679000030	Rubber Pad, RH	1
20	3455000003	Door and Frame	1
21	7759000001	Rivet	32
22	7595000001	Paddle Handle Lock	1
23	7346000038	Grounding Strap	1
24	4706001541(B)	Plate	1
25	7115181850 (B)	Capscrew	2

A - Ford and International Applications
 B - Chevy Applications

Rev. 1

C-7

Date 5-1-96

PARTS LIST - HEADBOARD AND FOLD DOWN LIGHT BAR

Ref. No.	Part No.	Description	Qty.
1	3241000037	24.75" Aluminum Headboard	1
	3241000038	34" Aluminum Headboard	1
	3241000039	37" Aluminum Headboard	1
	3241000034	24.75" Steel Headboard	1
	3241000035	34" Steel Headboard	1
	3241000036	40" Steel Headboard	1
2	7115181450	Capscrew	4
3	7950180161(A)	Flatwasher	8
	7950180161(B)	Flatwasher	4
4	7661000006	Well Nut	8
5	7660182601(A)	Locknut	4
6	3510150025	Light Bar	1
7	3510150080	Hinge	2
8	4017000130	Angle	2
9	4017000129	Angle	2
10	7690081441	Spring Pin	4
11	7189000001	Rubber Bumper	4
12	7111101610	Machine Screw	4
13	7661000002	Hex Nut W/Lockwasher	4
14	7949000007	Flatwasher	4
15	7585000001	Flexible Draw Latch	2
16	7759000002	Pop Rivet	8
17	7114140818	Capscrew	16
18	7660142600	Hex Locknut	8
19	7950140161	Flatwasher	8

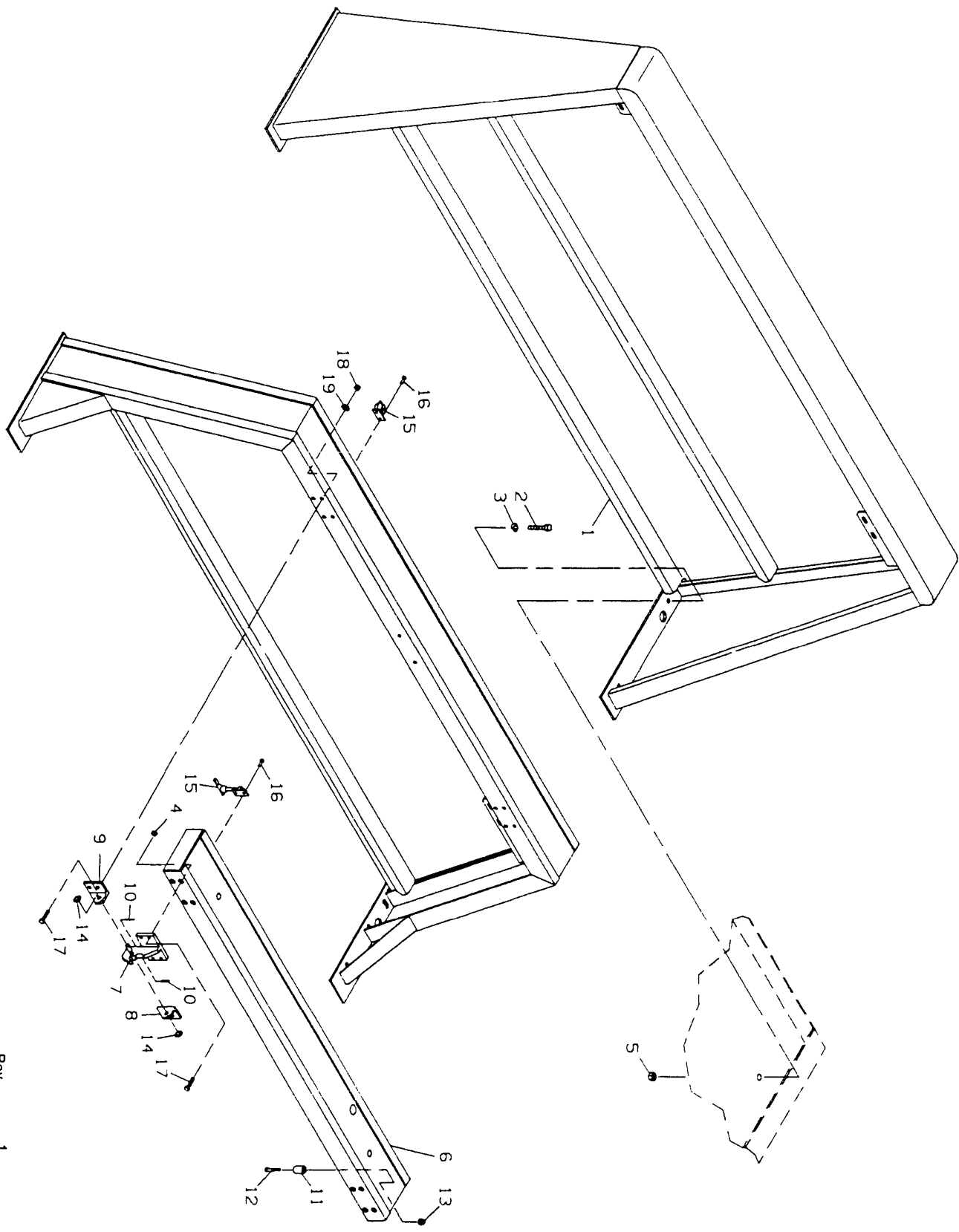
A - Tunnel Toolbox Mounted
 B - Deck Mounted

Rev. 1

C-8

Date 5-1-96

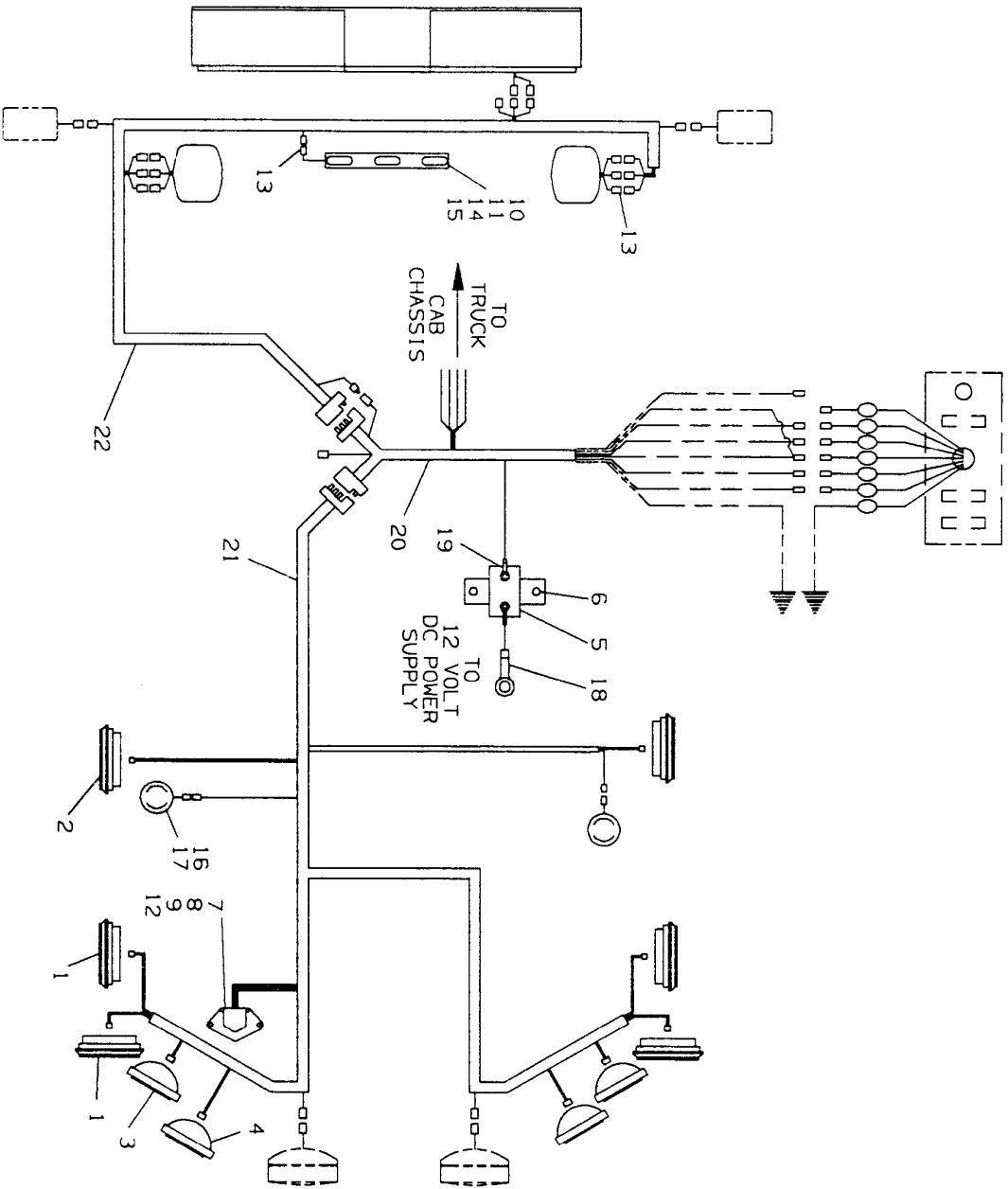
HEADBOARD AND FOLD DOWN LIGHT BAR



C-9

Rev. 1
Date 5-1-96

**WIRING DIAGRAM
60" C.A.**



WIRE COLOR	FUNCTION
ORANGE	ROTORATOR
BLUE	TOOL BOX
BROWN	CLEARANCE/ PARKING
WHITE	GROUND
WHITE/BLACK STRIPE	BEACON
PURPLE	FLOOD LIGHTS
RED	HAND CONTROL/ REAR WORK LIGHTS
GRAY	12VDC POWER SUPPLY
GREEN	RIGHT TURN/ STOP
BLACK	BACK UP
YELLOW	LEFT TURN/ STOP

**PARTS LIST - WIRING DIAGRAM
60" C.A.**

Ref. No.	Part No.	Description	Qty.
1	7590000009	Red Marker Light	4
2	7590000010	Amber Marker Light	2
3	7590000002	Stop, Turn, Tail Light	2
4	7590000003	Clear Back Up Light	2
5	7457000004	Circuit Breaker	1
6	7790100856	Screw	2
7	7291000003	Receptacle	1
8	7111140613	Machine Screw	2
9	7950140000	Lockwasher	2
10	7590000007	Bar Lamp	1
11	7114140818	Capscrew	2
12	7413000002	Nutsert	2
13	7345001703	Bullet Terminal	*
14	7660142600	Locknut	2
15	7950140161	Flatwasher	2
16	7590000001	Interior Light	*
17	7790060676	Screw	*
18	7345231901	Ring Terminal	1
19	7345211901	Ring Terminal	2
20	7552000001	Wiring Harness	1
21	7552000042	Wiring Harness	1
22	7552000045	Wiring Harness	1

* - Quantity of this item varies with optional body equipment

Rev. 1

C-11

Date 5-1-96

PARTS LIST - WIRING DIAGRAM
84" C.A.

Ref. No.	Part No.	Description	Qty.
1	7590000009	Red Marker Light	4
2	7590000010	Amber Marker Light	2
3	7590000002	Stop, Turn, Tail Light	2
4	7590000003	Clear Back Up Light	2
5	7457000004	Circuit Breaker	1
6	7790100856	Screw	2
7	7291000003	Receptacle	1
8	7111140613	Machine Screw	2
9	7950140000	Lockwasher	2
10	7590000007	Bar Lamp	1
11	7114140818	Capscrew	2
12	7413000002	Nutsert	2
13	7345001703	Bullet Terminal	*
14	7660142600	Locknut	2
15	7950140161	Flatwasher	2
16	7590000001	Interior Light	*
17	7790060676	Screw	*
18	7552000042	Wiring Harness	1
19	7552000053	Wiring Harness Extension	1
20	7552000001	Wiring Harness	1
21	7552000044	Wiring Harness	1
22	7345211901	Ring Terminal	2
23	7345231901	Ring Terminal	1

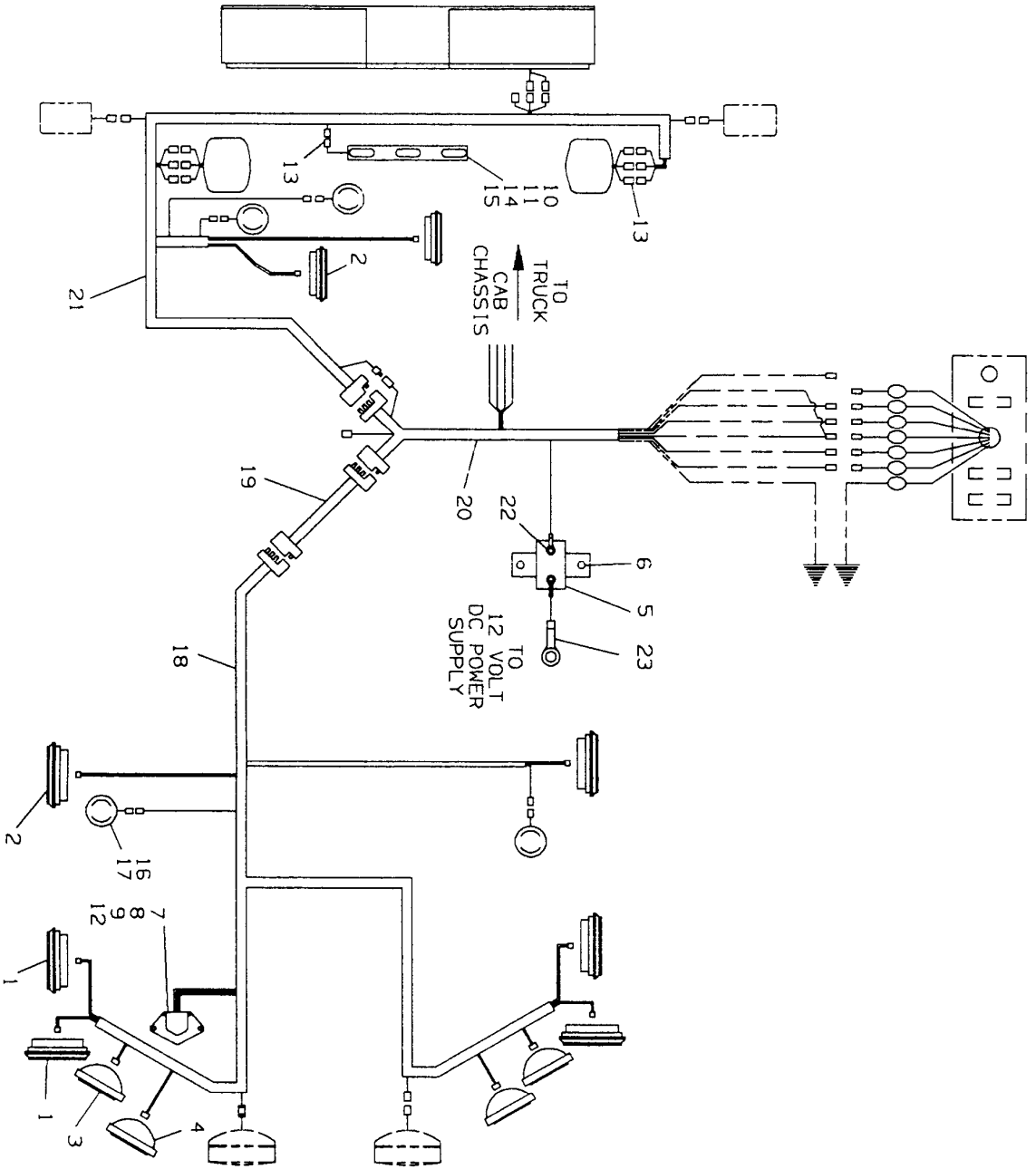
* - Quantity of this item varies with optional body equipment

Rev. 1

C-12

Date 5-1-96

WIRING DIAGRAM
84" C.A.



WIRE COLOR	FUNCTION
ORANGE	ROTATOR
BLUE	TOOL BOX
BROWN	CLEARANCE/ PARKING
WHITE	GROUND
WHITE/BLACK STRIPE	BEACON
PURPLE	FLOOD LIGHTS
RED	HAND CONTROL/ REAR WORK LIGHTS
GRAY	12VDC POWER SUPPLY
GREEN	RIGHT TURN/ STOP
BLACK	BACK UP
YELLOW	LEFT TURN/ STOP

C-13

Rev. _____
Date _____

**STEEL
BODY PARTS
60" C.A.**

B-KE

C-1

Part Number 5-376-000011
Rev. 1

PARTS LIST — BODY - 60" C.A.

Ref. No.	Part No.	Description	Qty.
1	4706000717	Plate	4
2	7660182601	Locknut	4
3	7115181650	Capscrew	8
4	7660182301	Locknut	8
5	4706001516	Mud Cover Plate	1
6	4706001120	Mud Cover Plate	1
7	4178000186	Bracket	1
8	7790141056	Screw	6
9	7111140850(A)	Capscrew	2
	7111140850(B)	Capscrew	1
10	7660142600(A)	Locknut	2
	7660142600(B)	Locknut	1
11	7950140161(A)	Flatwasher	2
	7950140161(B)	Flatwasher	1
12	3097000053(A)	Steel Body - 60" C.A.	1
	3097000079(B)	Steel Body - 60" C.A.	1
13	4679000087	Rubber Pad	1
14	7701000003	Hole Plug	3
15	7595000002(A)	Paddle Handle Lock	1
	7595000002(B)	Paddle Handle Lock	2
16	7114080418(A)	Capscrew	4
	7114080418(B)	Capscrew	8
17	7660082500(A)	Locknut	4
	7660082500(B)	Locknut	8
18	3706000040(A)	Door Plate	1
	3706000040(B)	Door Plate	2
19	7118160516(A)	Bolt	2
	7118160516(B)	Bolt	4
20	7660162301(A)	Locknut	2
	7660162301(B)	Locknut	4
21	4679000084(B)	Rubber Pad	1
22	7330000001	Serial Number Tag	1
23	7759000004	Rivet	4
24	7330000166(C)	Cover Plate	2
	7314000002(D)	Cover Plate	2
25	7790141076	Screw	8
26	3556000022	D-Ring	2
27	4314000029	Guard Plate, R.H.	1
28	4314000030	Guard Plate, L.H.	1
29	7759000007	Rivet	8
30	4017000492	Mounting Angle, L.H. - 19"	1
	4017000494	Mounting Angle, L.H. - 21"	1
	4017000496	Mounting Angle, L.H. - 24"	1
31	4706001123	Backup Plate - 19"	2
	4706001124	Backup Plate - 21"	2
	4706001125	Backup Plate - 24"	2
32	4178000073	Light Bracket	2
33	7638000003	Mud Flap - 19"	2
	4638000001	Mud Flap - 24"	2
	7638000007	Mud Flap - 20"	2
34	7111151010	Screw	8

Rev. 1

C-3

Date 5-1-96

PARTS LIST — BODY - 60" C.A.

Ref. No.	Part No.	Description	Qty.
35	7950150161	Flatwasher	14
36	7950150000	Lockwasher	14
37	7660150000	Hexnut	14
38	7111150850	Capscrew	6
39	4017000493	Mounting Angle, R.H. - 19"	1
	4017000495	Mounting Angle, R.H. - 21"	1
	4017000497	Mounting Angle, R.H. - 24"	1
40	7259000004	Tail Light Housing	4
41	7790101611	Screw	12

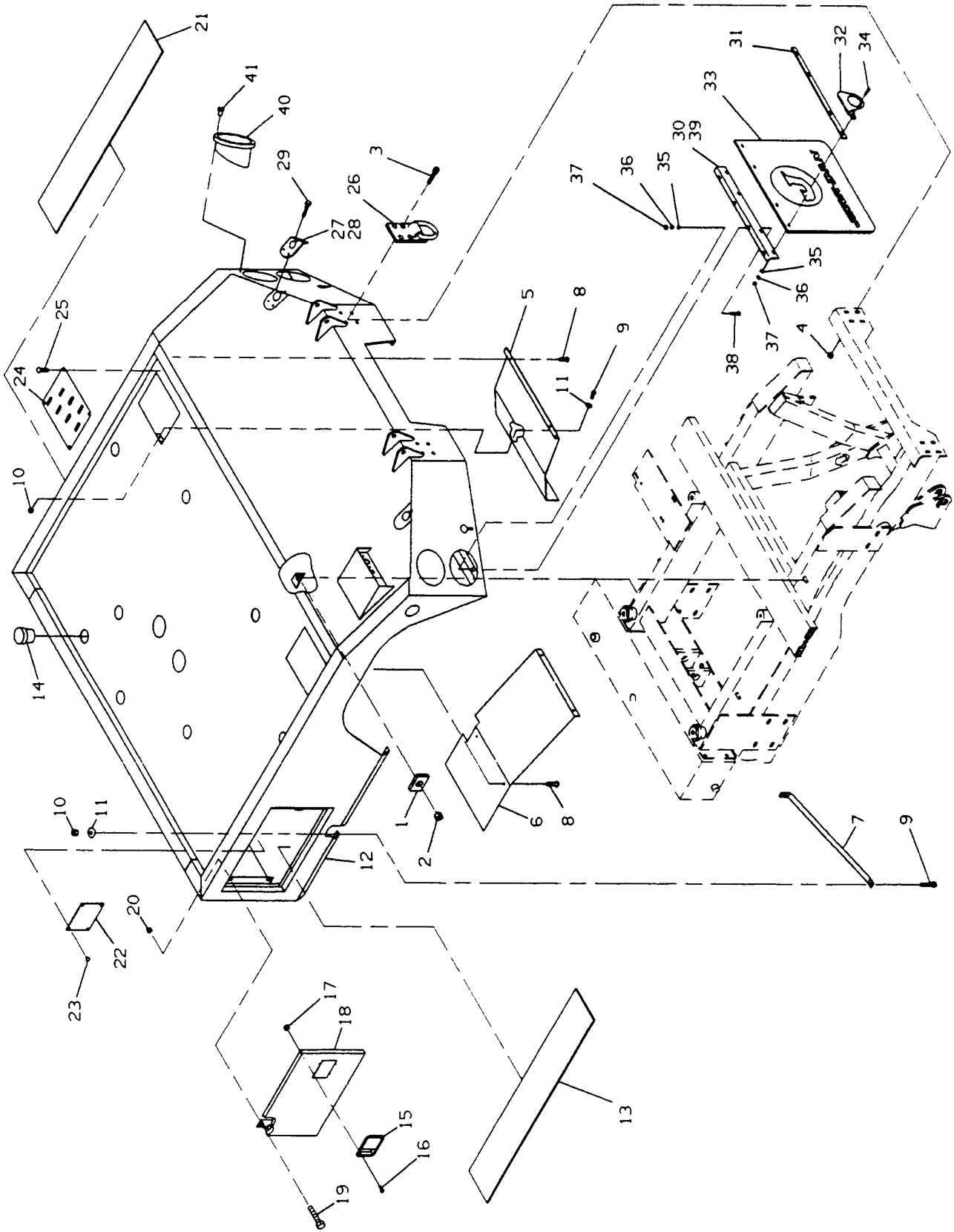
- A - Toolbox, Driver's Side
- B - Toolbox, Both Sides
- C - HPL Applications
- D - MPG/EPG™ Applications

Rev. 1

C-4

Date 5-1-96

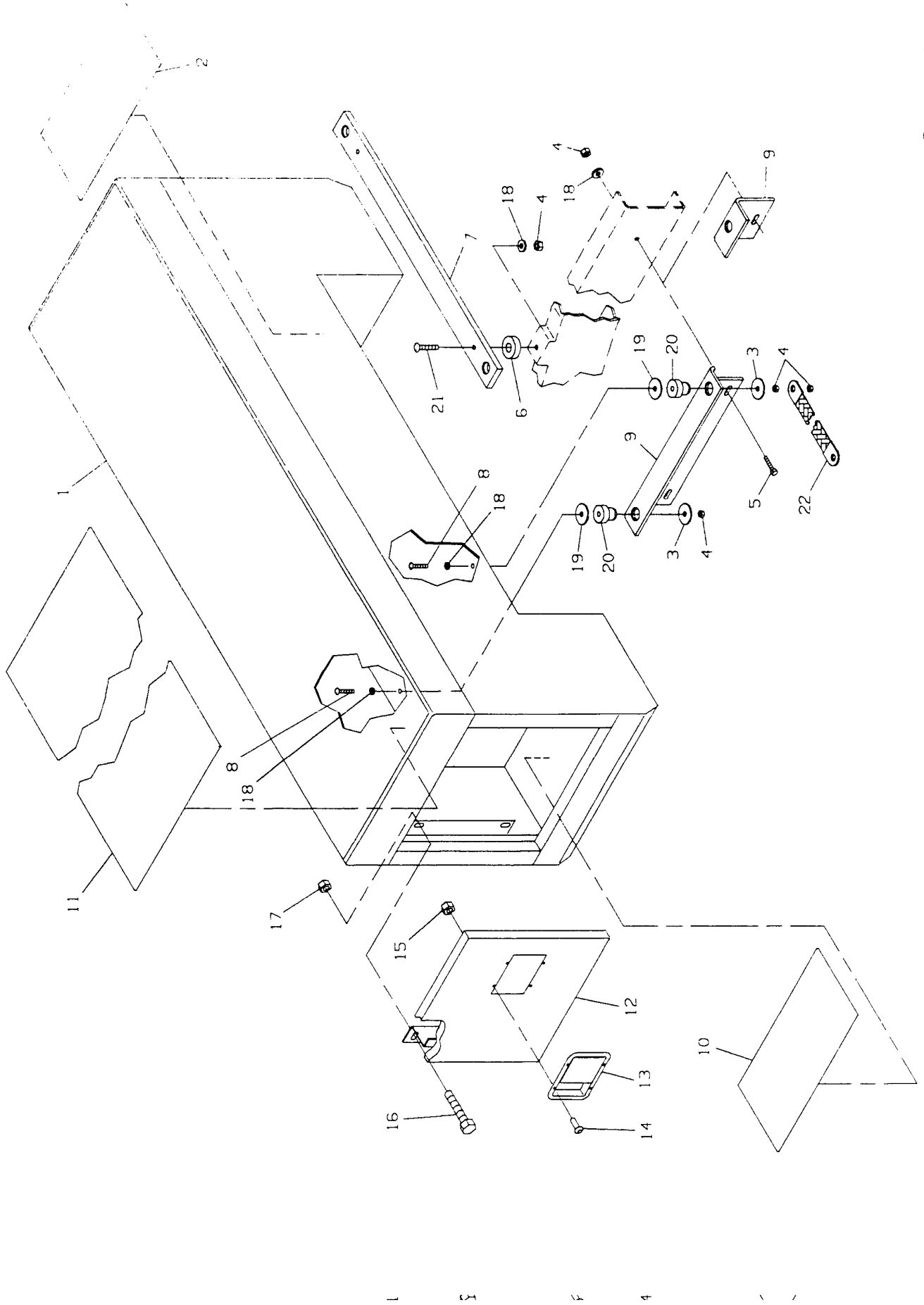
BODY 60" C.A.



Rev. 1

Date 5-1-96

24" TUNNEL TOOLBOX



Rev. 1

Date 5-1-22

PARTS LIST — 24" TUNNEL TOOLBOX

Ref. No.	Part No.	Description	Qty.
1	3899000041	Toolbox	1
2	4679000085	Rubber Pad	1
3	7949000012	Washer	4
4	7660182301	Locknut	9
5	7115181450(A)	Capscrew	4
	7115181450(B)	Capscrew	2
6	4831000060(B)	Spacer	2
7	4706001541(B)	Plate	1
8	7115182650	Capscrew	4
9	4017000674(A)	Angle	2
	4017000675(B)	Angle	2
10	4679000106	Rubber Pad	1
11	4679000108	Rubber Pad	1
12	3706000036	Door	2
13	7595000002	Paddle Handle Lock	2
14	7114080418	Capscrew	8
15	7660082500	Locknut	8
16	7118160516	Bolt	4
17	7660162301	Locknut	4
18	7950180161(A)	Flatwasher	8
	7950180161(B)	Flatwasher	10
19	7949000013	Washer	4
20	7636000005	Rubber Mount	4
21	7115181850 (B)	Capscrew	2
22	7346000038	Grounding Strap	1

A - Ford and International Applications
B - Chevy Applications

Rev. 1

C-7

Date 5-1-96

PARTS LIST — HEADBOARD AND FOLD DOWN LIGHT BAR

Ref. No.	Part No.	Description	Qty.
1	3241000037	24.75" Aluminum Headboard	1
	3241000038	34" Aluminum Headboard	1
	3241000039	37" Aluminum Headboard	1
	3241000034	24.75" Steel Headboard	1
	3241000035	34" Steel Headboard	1
	3241000036	40" Steel Headboard	1
2	7115181450	Capscrew	4
3	7950180161(A)	Flatwasher	8
	7950180161(B)	Flatwasher	4
4	7661000006	Well Nut	8
5	7660182601(A)	Locknut	4
6	3510150025	Light Bar	1
7	3510150080	Hinge	2
8	4017000130	Angle	2
9	4017000129	Angle	2
10	7690081441	Spring Pin	4
11	7189000001	Rubber Bumper	4
12	7111101610	Machine Screw	4
13	7661000002	Hexnut w/Lockwasher	4
14	7949000007	Flatwasher	4
15	7585000001	Flexible Draw Latch	2
16	7759000002	Rivet	8
17	7114140818	Capscrew	16
18	7660142600	Hex Locknut	8
19	7950140161	Flatwasher	8

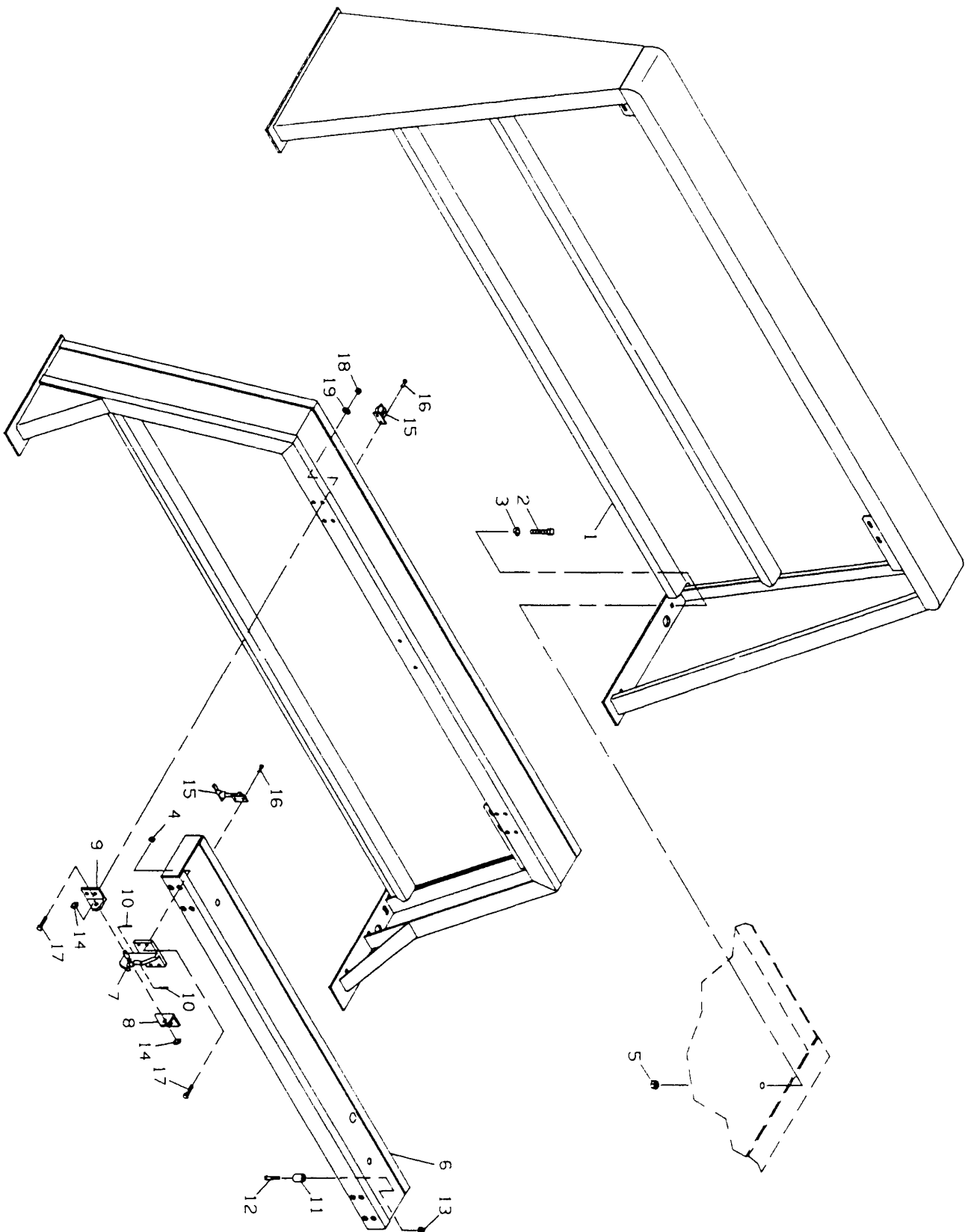
A - Tunnel Toolbox Mounted
B - Deck Mounted

Rev. 1

C-8

Date 5-1-96

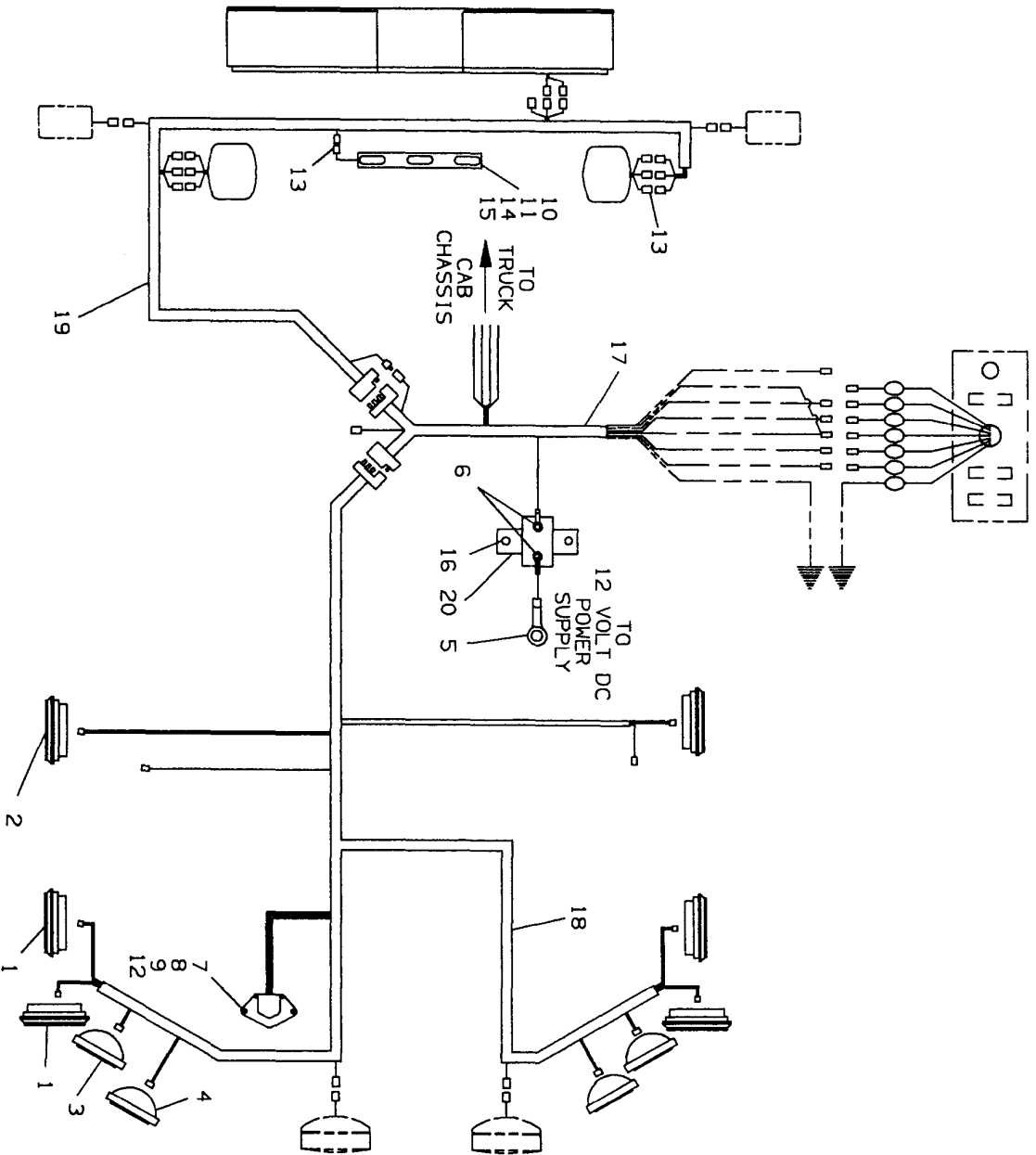
HEADBOARD AND FOLD DOWN LIGHT BAR



C-9

Rev. 1
Date 5-1-96

**WIRING DIAGRAM
60" C.A.**



WIRE COLOR	FUNCTION
ORANGE	ROTOR
BLUE	TOOL BOX
BROWN	CLEARANCE/ PARKING
WHITE	GROUND
WHITE/BLACK STRIPE	BEACON
PURPLE	FLOOD LIGHTS
RED	HAND CONTROL/ REAR WORK LIGHTS
GRAY	12VDC POWER SUPPLY
GREEN	RIGHT TURN/ STOP
BLACK	BACK UP
YELLOW	LEFT TURN/ STOP

C-10

Rev. _____
Date _____

PARTS LIST — WIRING DIAGRAM
60" C.A.

Ref. No.	Part No.	Description	Qty.
1	759000009	Red Marker Light	4
2	759000010	Amber Marker Light	2
3	759000002	Stop, Turn, Tail Light	2
4	759000003	Clear Back Up Light	2
5	7345231901	Terminal	1
6	7345211901	Terminal	2
7	729100003	Receptacle	1
8	7111140613	Screw	2
9	7950140000	Lockwasher	2
10	759000007	Bar Lamp	1
11	7114140818	Capscrew	2
12	741300002	Nutsert	2
13	7345001703	Bullet Terminal	7
14	7660142600	Locknut	2
15	7950140161	Flatwasher	2
16	7790100856	Screw	2
17	755200001	Wiring Harness	1
18	7552000042	Wiring Harness	1
19	7552000045	Wiring Harness	1
20	7457000004	Circuit Breaker	1

Rev. _____

C-11

Date _____

PARTS LIST — WIRING DIAGRAM
84" C.A.

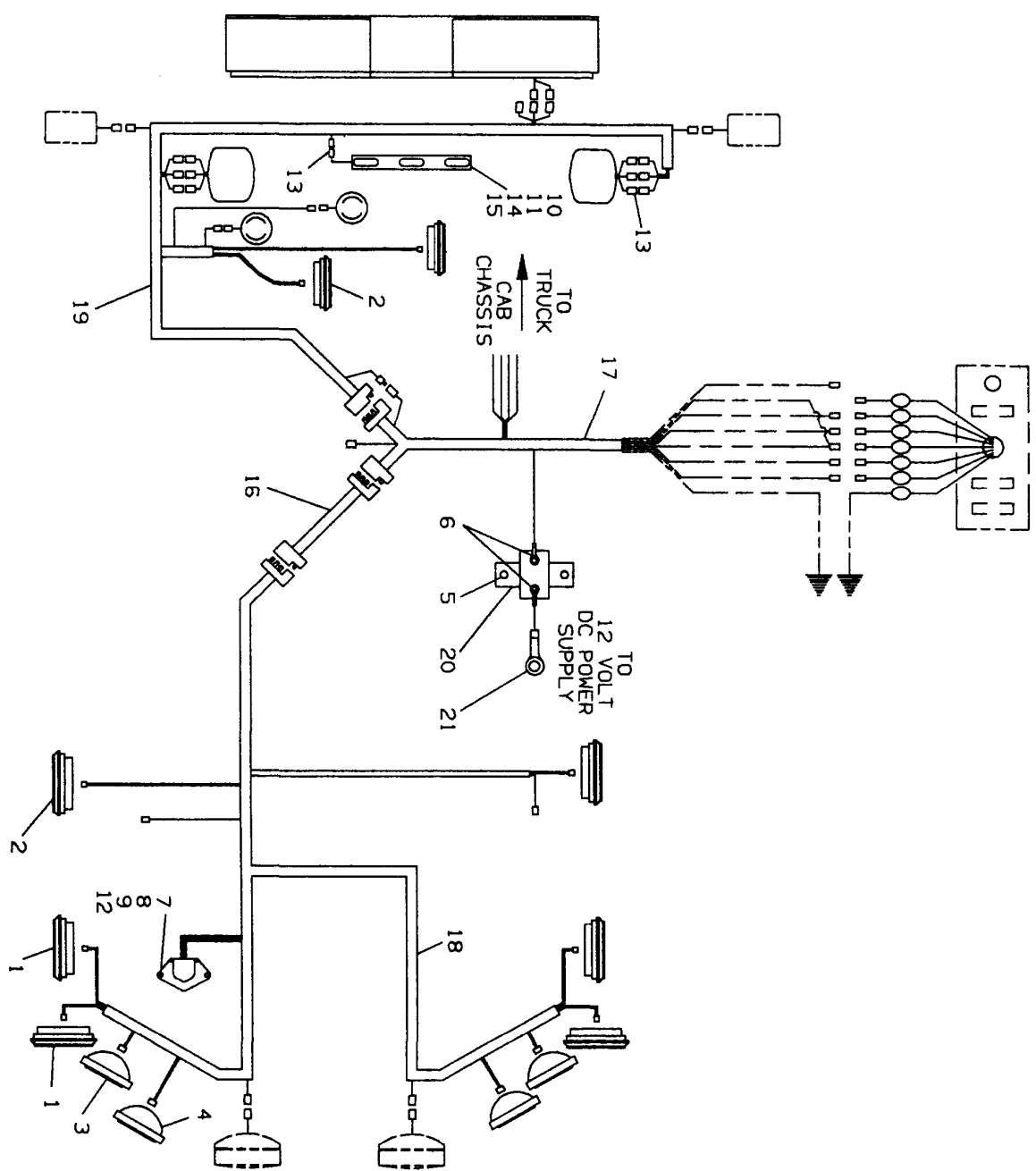
Ref. No.	Part No.	Description	Qty.
1	759000009	Red Marker Light	4
2	759000010	Amber Marker Light	4
3	759000002	Stop, Turn, Tail Light	2
4	759000003	Clear Back Up Light	2
5	7790100856	Screw	2
6	7345211901	Terminal	2
7	7291000003	Receptacle	1
8	7111140613	Screw	2
9	7950140000	Lockwasher	2
10	7590000007	Bar Lamp	1
11	7114140818	Capscrew	2
12	7413000002	Nutsert	2
13	7345001703	Bullet Terminal	7
14	7660142600	Locknut	2
15	7950140161	Flatwasher	2
16	7552000053	Wiring Harness Extension	1
17	7552000001	Wiring Harness	1
18	7552000042	Wiring Harness	1
19	7552000044	Wiring Harness	1
20	7457000004	Circuit Breaker	1
21	7345231901	Terminal	1

Rev. _____

C-12

Date _____

**WIRING DIAGRAM
84" C.A.**



WIRE COLOR	FUNCTION
ORANGE	ROTATOR
BLUE	TOOL BOX
BROWN	CLEARANCE/ PARKING
WHITE	GROUND
WHITE/BLACK STRIPE	BEACON
PURPLE	FLOOD LIGHTS
RED	HAND CONTROL/ REAR WORK LIGHTS
GRAY	12VDC POWER SUPPLY
GREEN	RIGHT TURN/ STOP
BLACK	BACK UP
YELLOW	LEFT TURN/ STOP

**STEEL
BODY PARTS
84" C.A.**

B-KE

C-1

Part Number 5-376-000012
Rev. 1

PARTS LIST — BODY - 84" C.A.

Ref. No.	Part No.	Description	Qty.
1	4706000717	Plate	4
2	7660182601	Locknut	4
3	7115181650	Capscrew	8
4	7660182301	Locknut	8
5	4706001516	Mud Cover Plate	1
6	4706001120	Mud Cover Plate	1
7	7120000016	Screw	4
8	7661000011	Locknut	4
9	7111140850	Capscrew	1
10	7660142600	Locknut	1
11	7950140161	Flatwasher	1
12	7790141056	Screw	6
13	4017000553	Angle	2
14	3097000063	Steel Body - 84" C.A.	1
15	4679000080	Rubber Pad	1
16	4679000081	Rubber Pad	1
17	4679000082	Rubber Pad	1
18	7701000003	Hole Plug	3
19	7595000002	Paddle Handle Lock	2
20	7595000001	Paddle Handle Lock w/Strikers	2
21	7114080418	Capscrew	16
22	7660082500	Locknut	16
23	3706000039	Door Plate	2
24	3706000040	Door Plate	2
25	7118160516	Bolt	8
26	7660162301	Locknut	8
27	7759000001	Rivet	16
28	4763000160	Lock Rod	4
29	4679000083	Rubber Pad	1
30	4679000092	Rubber Pad	1
31	7330000001	Serial Number Tag	1
32	7330000166(A)	Cover Plate	2
	7314000002(B)	Cover Plate	2
33	7759000004	Rivet	4
34	7790141076	Screw	8
35	3556000022	D-Ring	2
36	4314000029	Guard Plate, R.H.	1
37	4314000030	Guard Plate, L.H.	1
38	7759000007	Rivet	8
39	4017000492	Mounting Angle, L.H. - 19"	1
	4017000494	Mounting Angle, L.H. - 21"	1
	4017000496	Mounting Angle, L.H. - 24"	1
40	4706001123	Backup Plate - 19"	2
	4706001124	Backup Plate - 21"	2
	4706001125	Backup Plate - 24"	2
41	4178000073	Light Bracket	2
42	7638000003	Mud Flap - 19"	2
	7638000001	Mud Flap - 24"	2
43	7111151010	Screw	8
44	7950150161	Flatwasher	14

Rev. 1

C-3

Date 5-1-96

PARTS LIST — BODY - 84" C.A.

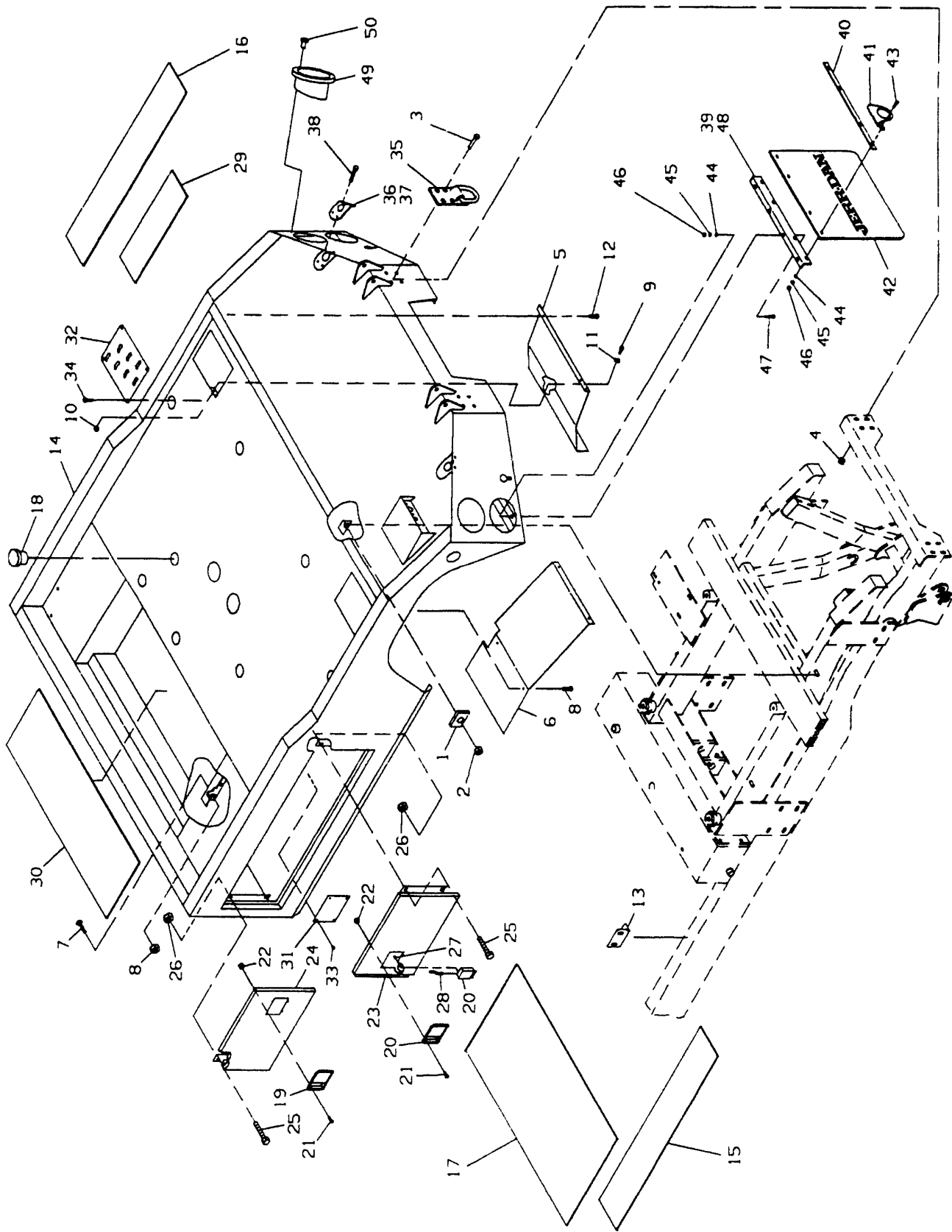
Ref. No.	Part No.	Description	Qty.
45	7950150000	Lockwasher	14
46	7660150000	Hexnut	14
47	7111150850	Capscrew	6
48	4017000493	Mounting Angle, R.H. - 19"	1
	4017000495	Mounting Angle, R.H. - 21"	1
	4017000497	Mounting Angle, R.H. - 24"	1
49	7259000004	Tail Light Housing	4
50	7790101611	Screw	12

A - HPL Applications
B - MPG/EPG™ Applications

Rev. 1

C-4

Date 5-1-96

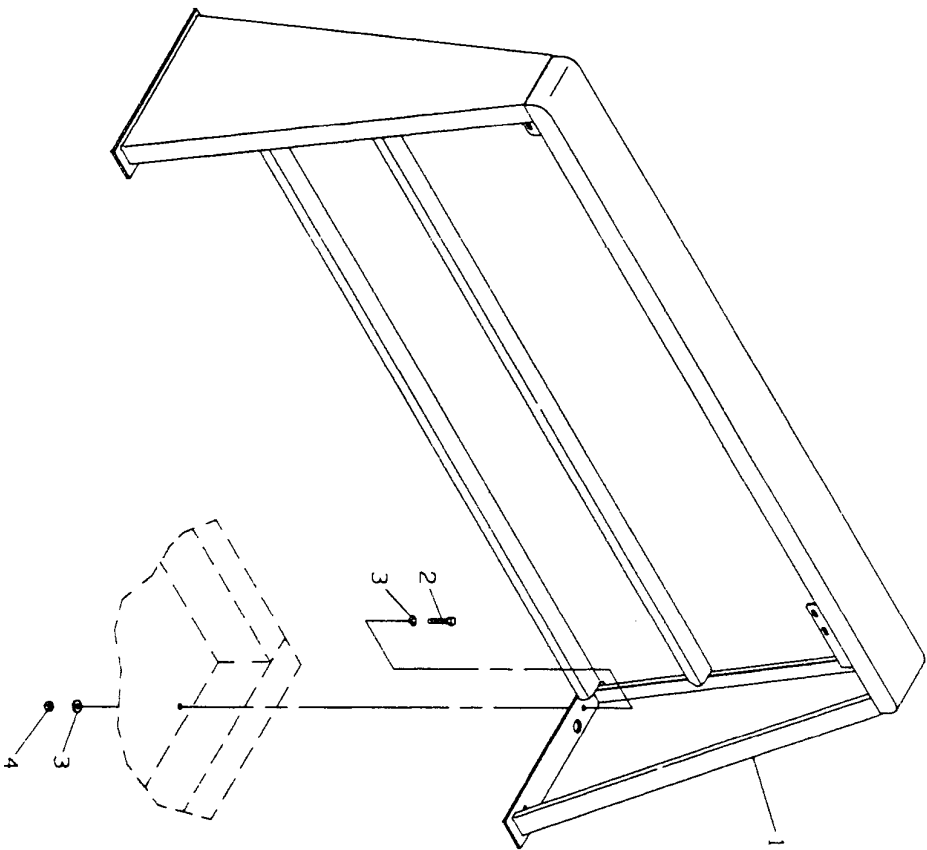


Rev. 1

Date 5-1-96

C-5

HEADBOARD
84" C.A. BODY



C-6

Rev. 1
Date 5-1-96

**PARTS LIST - HEADBOARD
84" C.A. BODY**

Ref. No.	Part No.	Description	Qty.
1	3241000034	Headboard - 24.75"	1
	3241000035	Headboard - 34"	
	3241000036	Headboard - 40"	
2	7115181450	Capscrew	4
3	7950180161	Flatwasher	8
4	7660182601	Locknut	4

Rev. 1

C-7

Date 5-1-96

PARTS LIST — WIRING DIAGRAM

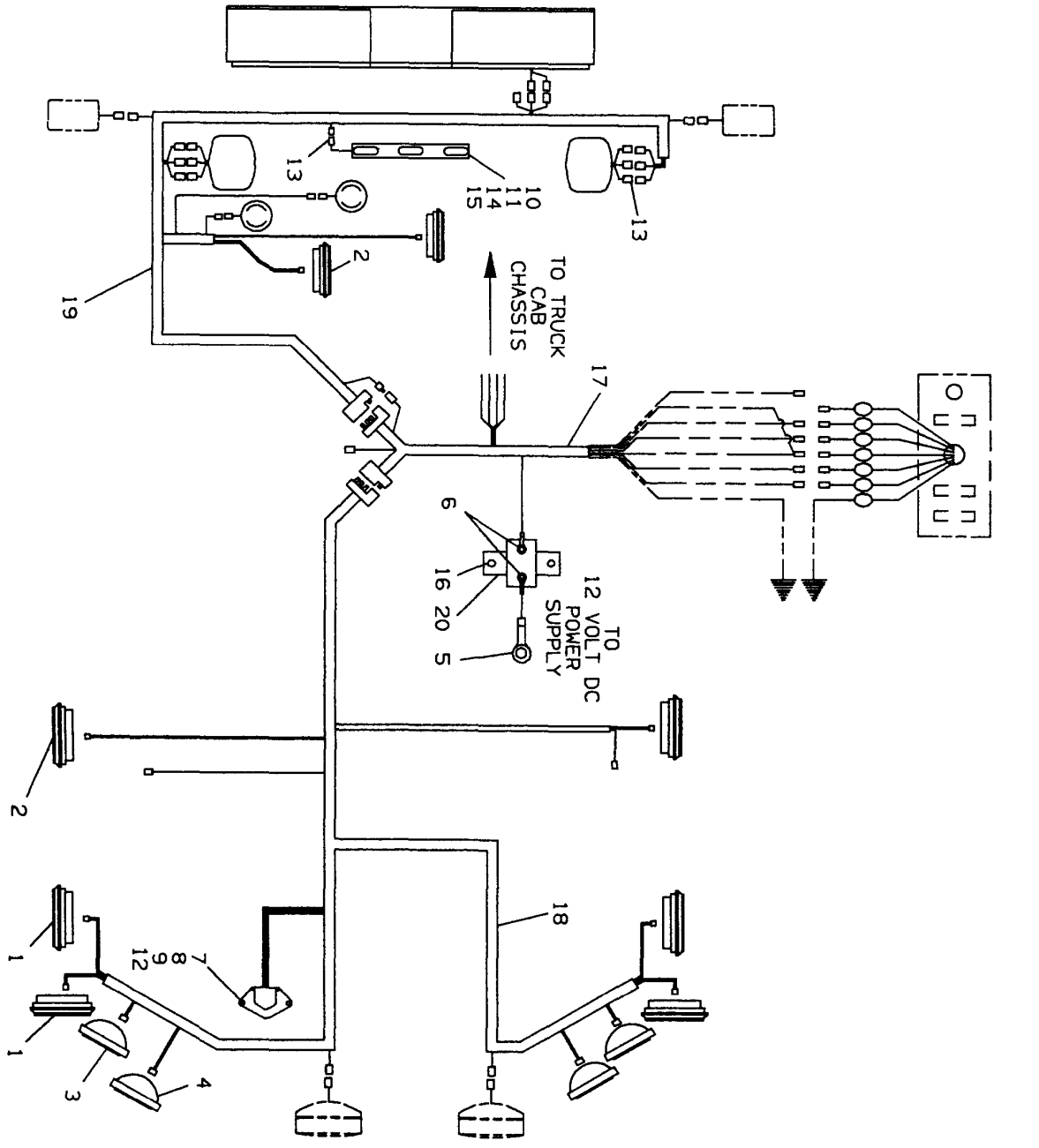
Ref. No.	Part No.	Description	Qty.
1	7590000009	Red Marker Light	4
2	7590000010	Amber Marker Light	4
3	7590000002	Stop, Turn, Tail Light	2
4	7590000003	Clear Back Up Light	2
5	7345231901	Terminal	1
6	7345211901	Terminal	2
7	7291000003	Receptacle	1
8	7111140613	Screw	2
9	7950140000	Lockwasher	2
10	7590000007	Bar Lamp	1
11	7114140818	Capscrew	2
12	7413000002	Nutsert	2
13	7345001703	Bullet Terminal	7
14	7660142600	Locknut	2
15	7950140161	Flatwasher	2
16	7790100856	Screw	2
17	7552000001	Wiring Harness	1
18	7552000043	Wiring Harness	1
19	7552000044	Wiring Harness	1
20	7457000004	Circuit Breaker	1

Rev. _____

C-8

Date _____

WIRING DIAGRAM



WIRE COLOR	FUNCTION
ORANGE	ROTORATOR
BLUE	TOOL BOX
BROWN	CLEARANCE/PARKING
WHITE	GROUND
WHITE/BLACK STRIPE	BEACON
PURPLE	FLOOD LIGHTS
RED	HAND CONTROL/REAR WORK LIGHTS
GRAY	12VDC POWER SUPPLY
GREEN	RIGHT TURN/STOP
BLACK	BACK UP
YELLOW	LEFT TURN/STOP

PARTS LIST - LIGHT DUTY L-ARM GRID

Ref. No.	Part No.	Description	Qty
1	9822420001	Strap	2
2	4691000103	Pin	1
3	7754000024	Retaining Ring	1
4	7440030000	Grease Fitting	3
5	7701000007	Hole Plug	1
6	3511100073(A)	Storage Tube LH	1
	3911000019(B)	Storage Tube LH	1
7	3511100074(A)	Storage Tube RH	1
	3911000020(B)	Storage Tube RH	1
8	7660180000	Hex Nut	4
9	7950180000	Lockwasher	4
10	7950180161	Washer	4
11	3511880082	Pivot Tube	1
12	3511880080	Grid RH	1
13	3511880081	Grid LH	1
14	3511880049 ¹	L-Arm	2
15	3178000001 ¹	Anchor Bracket	2
16	3551000026	T-Handle	2
17	7691000011	Hitch Pin w/Cable	2
18	7894000002	Ratchet	2
19	7118182418 ¹	Capscrew	2
20	7660181630 ¹	Locknut	2
21	7950180153 ¹	Washer	2
22	4691000188	Pin	4
23	7843000006	Spring	4
24	4254000006	Cap	4
25	4763000184	Rod	4

A - HPL Application
 B - RTS Application

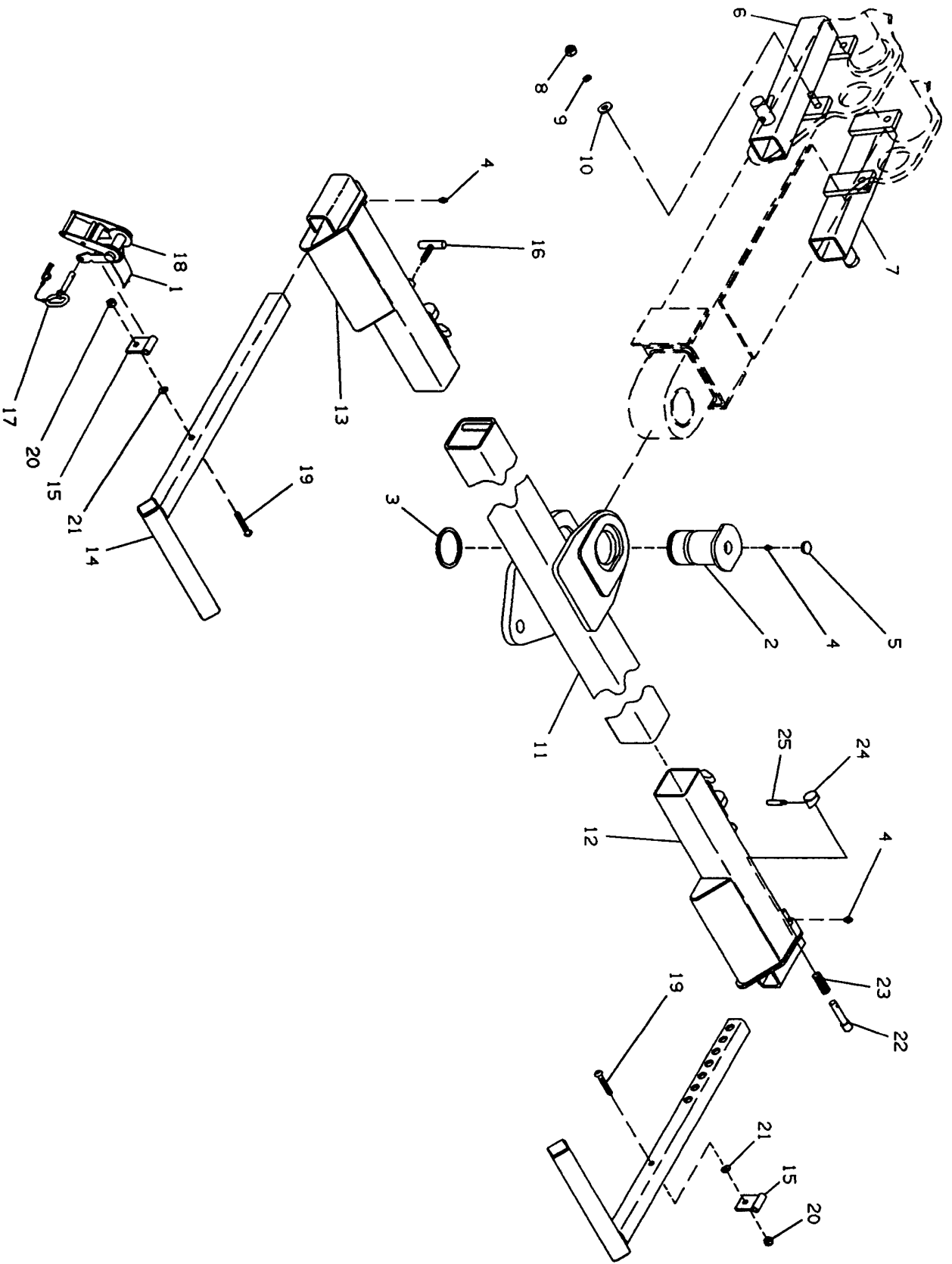
¹ Available in Service Part Kit #9577000002

Rev. 1

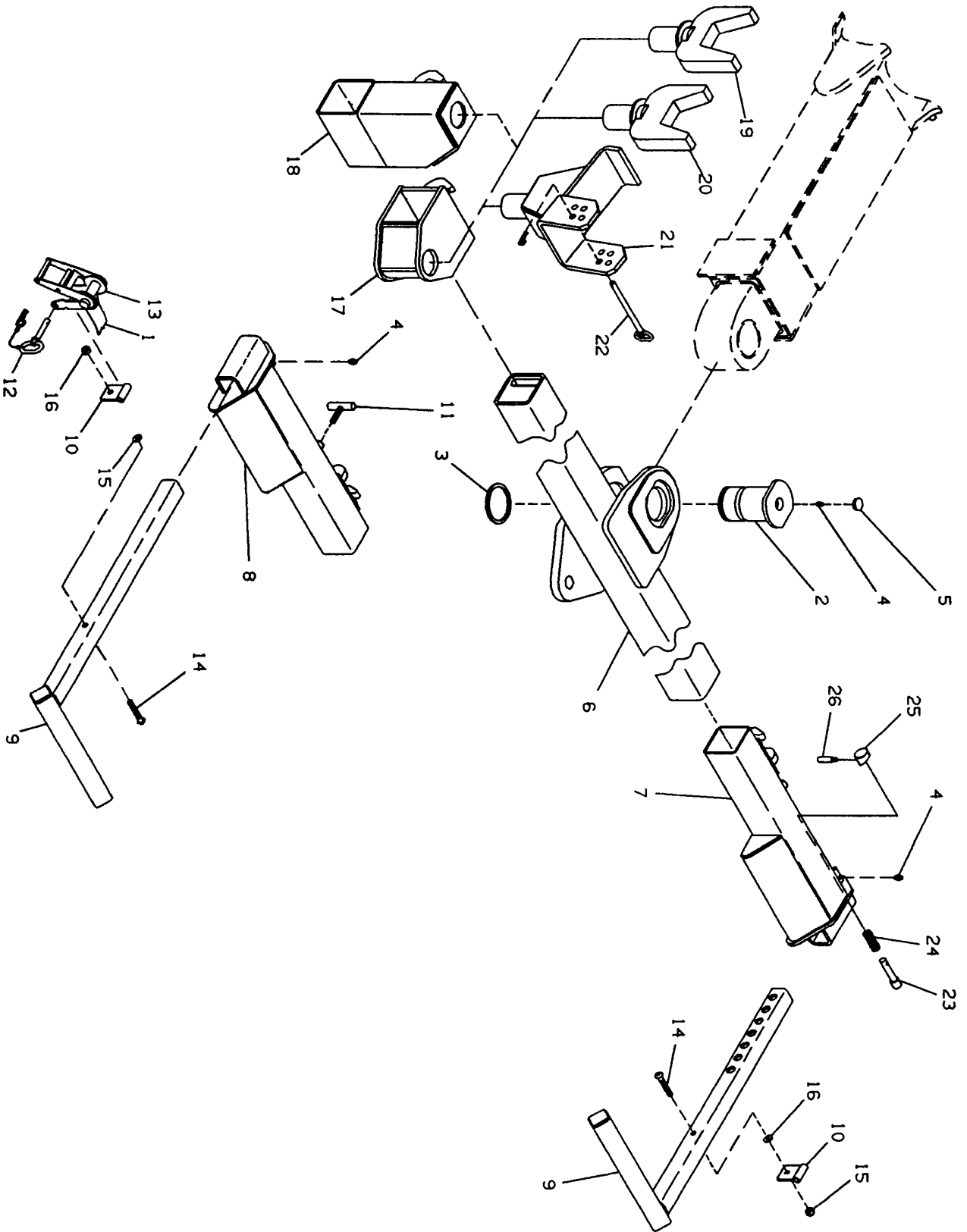
D-2

Date 10-1-95

LIGHT DUTY L-ARM GRID



MEDIUM DUTY L-ARM GRID



D-4

Rev. 1
Date 10-1-95

PARTS LIST - MEDIUM DUTY L-ARM GRID

Ref. No.	Part No.	Description	Qty.
1	9822420001	Strap	2
2	4691000103	Pin	1
3	7754000024	Retaining Ring	1
4	7440030000	Grease Fitting	2
5	7701000007	Hole Plug	1
6	3512880076	Pivot Tube	1
7	3512880074	Grid RH	1
8	3512880075	Grid LH	1
9	3512880029 ¹	L-Arm	2
10	3178000123 ¹	Anchor Bracket	2
11	3551000026	T-Handle	6
12	7691000011	Hitch Pin w/Cable	2
13	7894000022	Ratchet	2
14	7118183218 ¹	Capscrew	2
15	7660181630 ¹	Locknut	2
16	7950180153 ¹	Washer	2
17	3512880010	Fork Adapter, RH	1
	3512880011	Fork Adapter, LH	1
18	3512880013	Raised Fork Adapter, LH	1
	3512880012	Raised Fork Adapter, RH	1
19	3512880014	Small Frame Fork	2
20	3512880015	Large Frame Fork	2
21	3512880016	Spring Attachment	2
22	7691000017	Pin w/Hair Pin	2
23	4691000188	Pin	2
24	7843000006	Spring	2
25	4254000006	Cap	2
26	4763000184	Rod	2

¹ Available in Service Part Kit #9577030077

Rev. 1

D-5

Date 10-1-95

**PARTS LIST - LIGHT DUTY
SWING AROUND GRID**

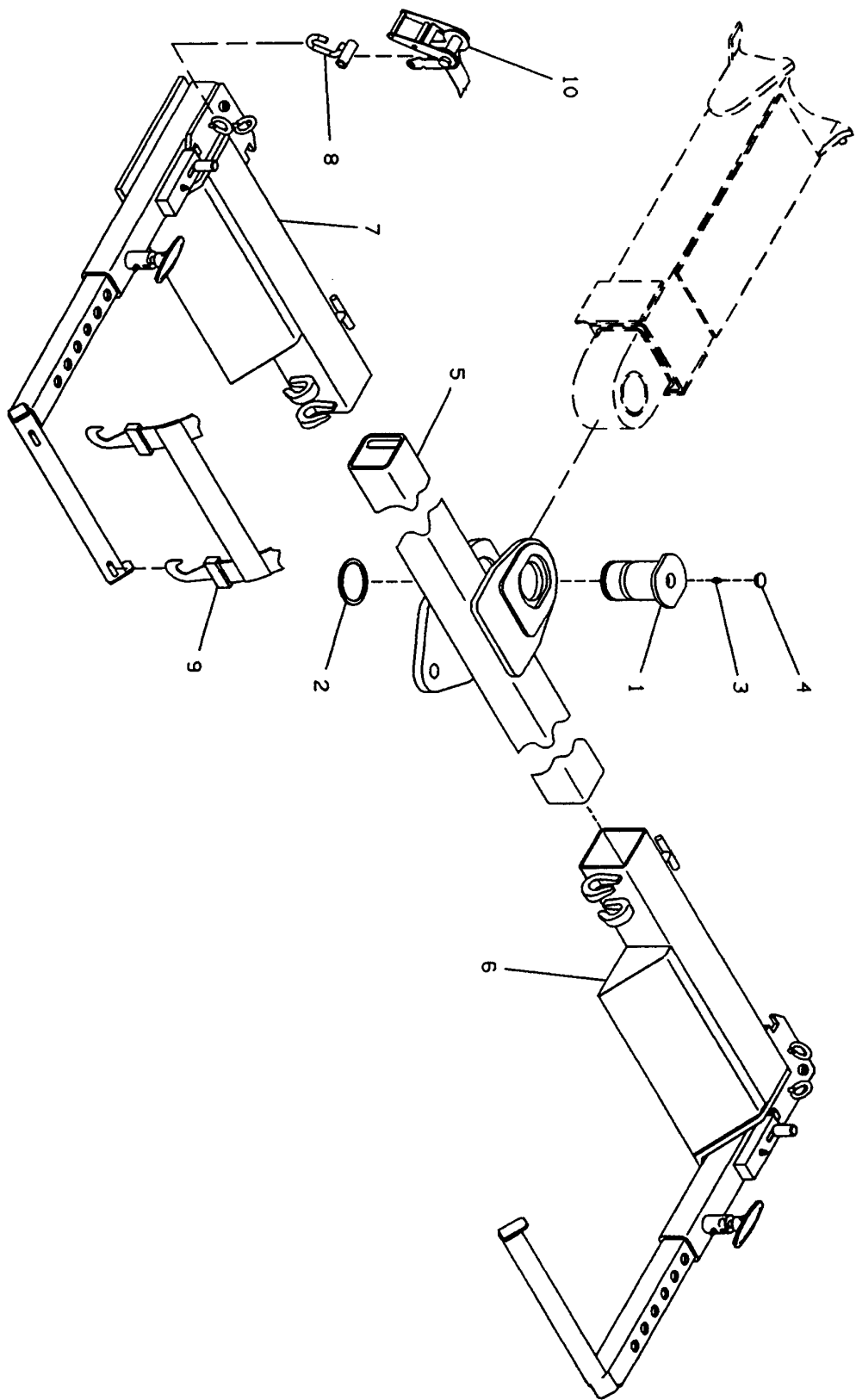
Ref. No.	Part No.	Description	Qty.
1	4691000103	Pin	1
2	7754000024	Retaining Ring	1
3	7440030000	Grease Fitting	1
4	7701000007	Hole Plug	1
5	3511880082	Pivot Tube	1
6	3752000014	Swing Around Restraint, RH	1
7	3752000013	Swing Around Restraint, LH	1
8	3561000003	Wheel Hook	2
9	7894000021	Strap	2
10	7894000022	Ratchet	2

Rev. _____

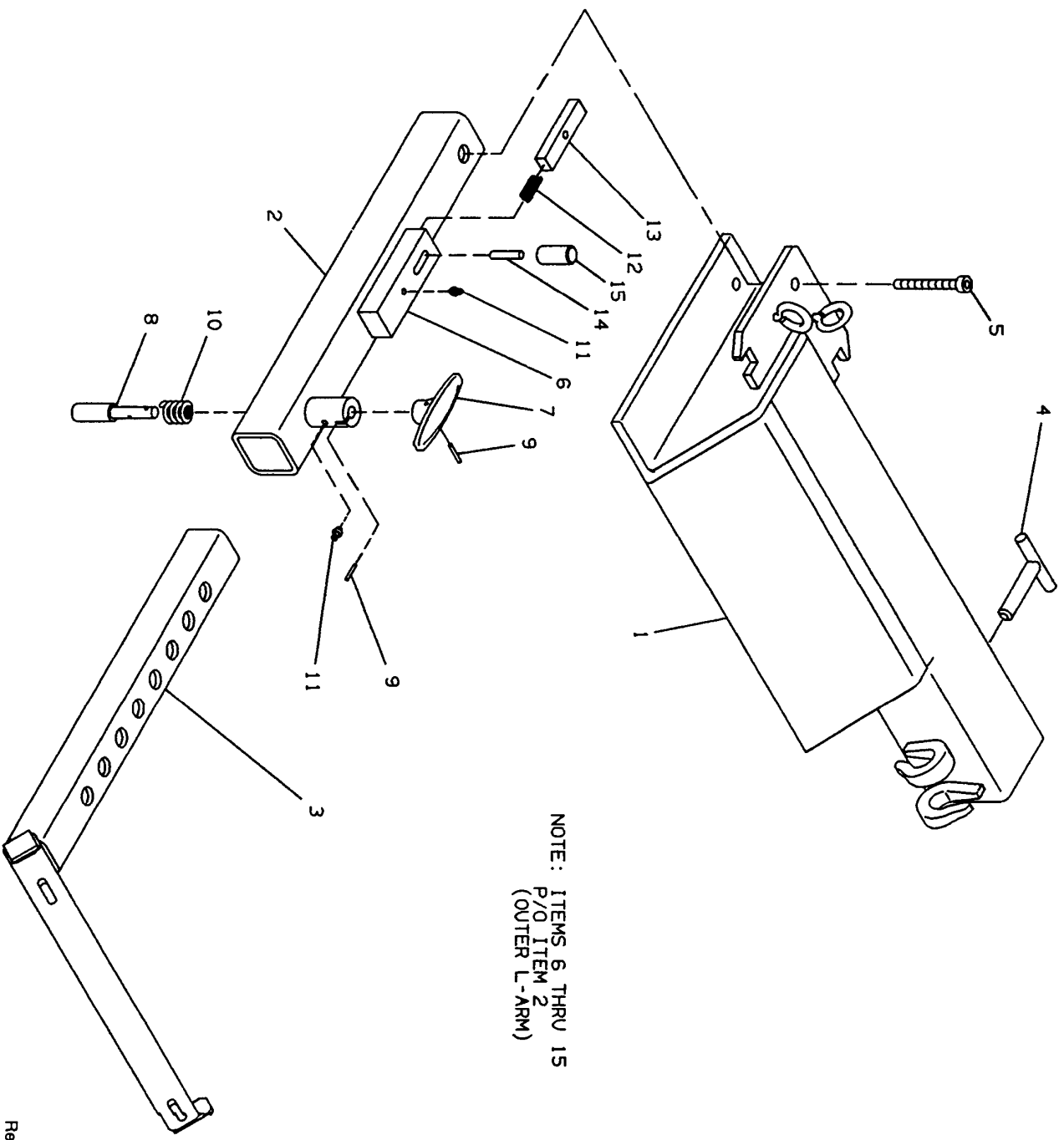
D-6

Date _____

LIGHT DUTY SWING AROUND GRID



STANDARD SWING AROUND RESTRAINT
3752000013
3752000014



NOTE: ITEMS 6 THRU 15
 P/O ITEM 2
 (OUTER L-ARM)

D-8

Rev. 1
 Date 10-1-95

PARTS LIST - STANDARD SWING AROUND RESTRAINT
3752000013
3752000014

Ref.No.	Part No.	Description	Qty.
1	3752000005	Swing Around Restraint, LH	1
	3752000006	Swing Around Restraint, RH	1
2	3020000015	Outer L-Arm	1
3	3020000012	L-Arm, RH	1
	3020000013	L-Arm, LH	1
4	3551000026	T-Handle	1
5	7120000017	Capscrew	1
6*	3020000014	Outer L-Arm	1
7*	4551000005	T-Handle	1
8*	4691000154	Pin	1
9*	7690081645	Spring Pin	2
10*	7843000013	Compression Spring	1
11*	7440030000 ¹	Grease Fitting	3
12*	7843000012 ¹	Compression Spring	1
13*	9585420006 ¹	Latch	1
14*	7690152445	Spring Pin	1
15*	9551420016 ¹	Handle Latch Release	1

* Part of Item 2 (Outer L-Arm)

¹ Available in Service Part Kit #9577420085

Rev. 1

Date 10-1-95

**PARTS LIST - LIGHT AND MEDIUM DUTY
SWING AROUND GRID WITH
LIFT ATTACHMENTS**

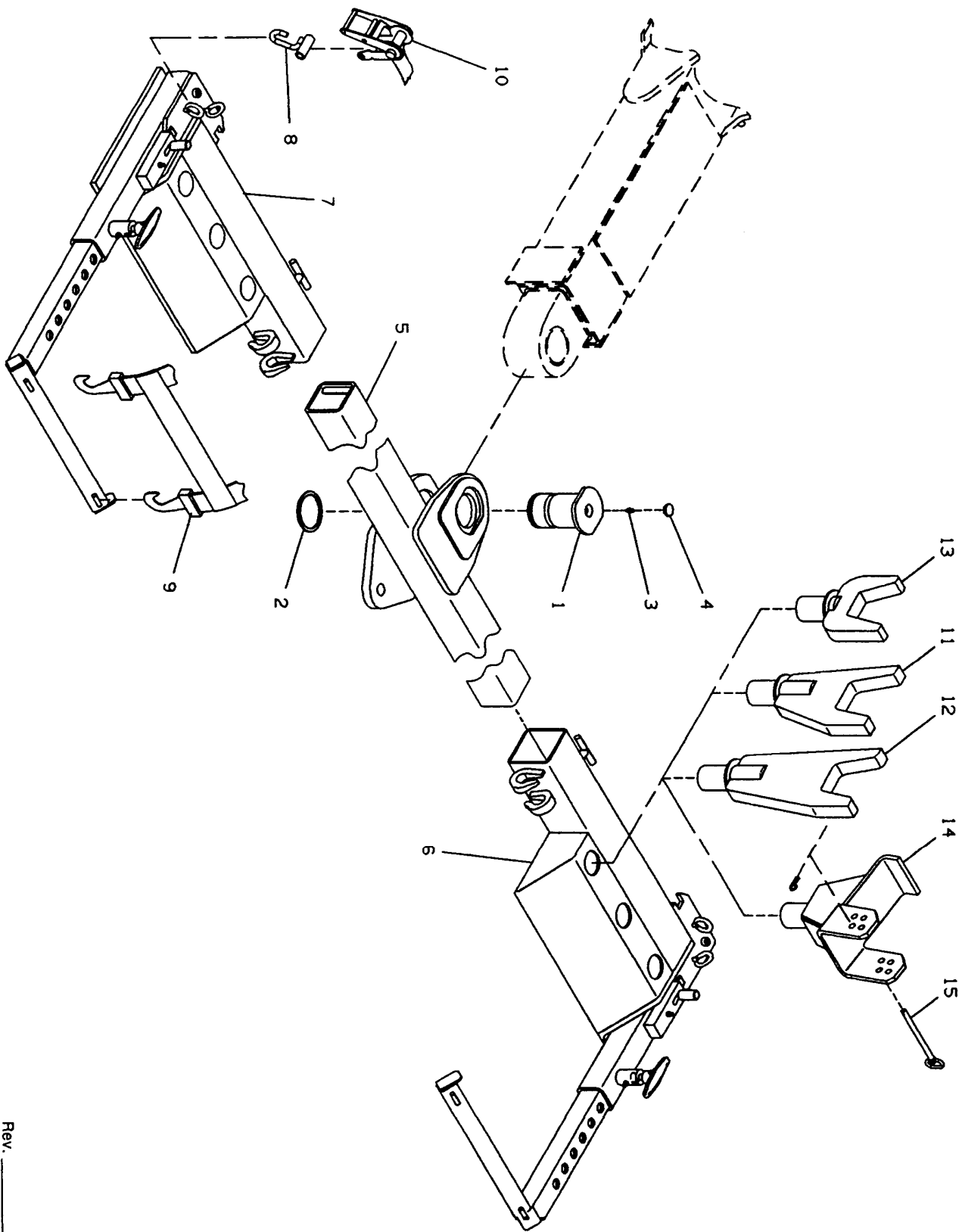
Ref. No.	Part No.	Description	Qty.
1	4691000103	Pin	1
2	7754000024	Retaining Ring	1
3	7440030000	Grease Fitting	1
4	7701000007	Hole Plug	1
5	3511880082	Light Duty Pivot Tube	1
	3512880076	Medium Duty Pivot Tube	1
6	3752000016	Swing Around Restraint, RH	1
7	3752000015	Swing Around Restraint, LH	1
8	3561000003	Wheel Hook	2
9	7894000021	Strap	2
10	7894000022	Ratchet	2
11	3454000001	Medium Frame Fork	2
12	3454000002	High Frame Fork	2
13	3512880014	Small Frame Fork	2
14	3512880016	Spring Attachment	2
15	7691000017	Pin w/Hair Pin	2

Rev. _____

D-10

Date _____

LIGHT AND MEDIUM DUTY SWING AROUND GRID WITH LIFT ATTACHMENTS



D-11

Rev. _____
Date _____

**PARTS LIST - SWING AROUND RESTRAINT
FOR LIFT ATTACHMENTS
3752000015
3752000016**

Ref. No.	Part No.	Description	Qty.
1	3752000007	Swing Around Restraint, LH	1
	3752000008	Swing Around Restraint, RH	1
2	3020000015	Outer L-Arm	1
3	3020000012	L-Arm, RH	1
	3020000013	L-Arm, LH	1
4	3551000026	T-Handle	1
5	7120000017	Capscrew	1
6*	3020000014	Outer L-Arm	1
7*	4551000005	T-Handle	1
8*	4691000154	Pin	1
9*	7690081645	Spring Pin	2
10*	7843000013	Compression Spring	1
11*	7440030000 ¹	Grease Fitting	3
12*	7843000012 ¹	Compression Spring	1
13*	9585420006 ¹	Latch	1
14*	7690152445	Spring Pin	1
15*	9551420016 ¹	Handle Latch Release	1

* Part of Item 2 (Outer L-Arm)

¹ Available in Service Part Kit #9577420085

Rev. 1

D-13

Date 10-1-95

PARTS LIST - POWER GRID™ INSTALLATION

Ref. No.	Part No.	Description	Qty.
1	3831000022	Wheel Spacer, RH	1
2	7440030000	Grease Fitting	1
3	7754000040 ¹	Ring	1
4	3691000125 ¹	Pin Weldment	1
5	7843000006 ¹	Compression Spring	1
6	7950150151 ¹	Flat Washer	1
7	7690051640 ¹	Spring Pin	1
8	4691000198	Pin	1
9	3484000027	Wheel Grid Assembly	1
10	3894000002	Tie Strap Assembly	2
11	3561000004 ²	Hook Weldment	1
12	7894000028 ²	Ratchet	1
13	7894000026 ²	Tie Strap	1
14	7754000024	Retaining Ring	1
15	3831000021	Wheel Spacer, LH	1
16	7690051640 ³	Spring Pin	1
17	7754000040 ³	Ring	1
18	3691000125 ³	Pin Weldment	1
19	7843000006 ³	Compression Spring	1
20	7950150151 ³	Flat Washer	1
21	7701000007	Hole Plug	1

¹ Part of item 1 (Wheel Spacer, RH)

² Part of item 10 (Tie Strap Assembly)

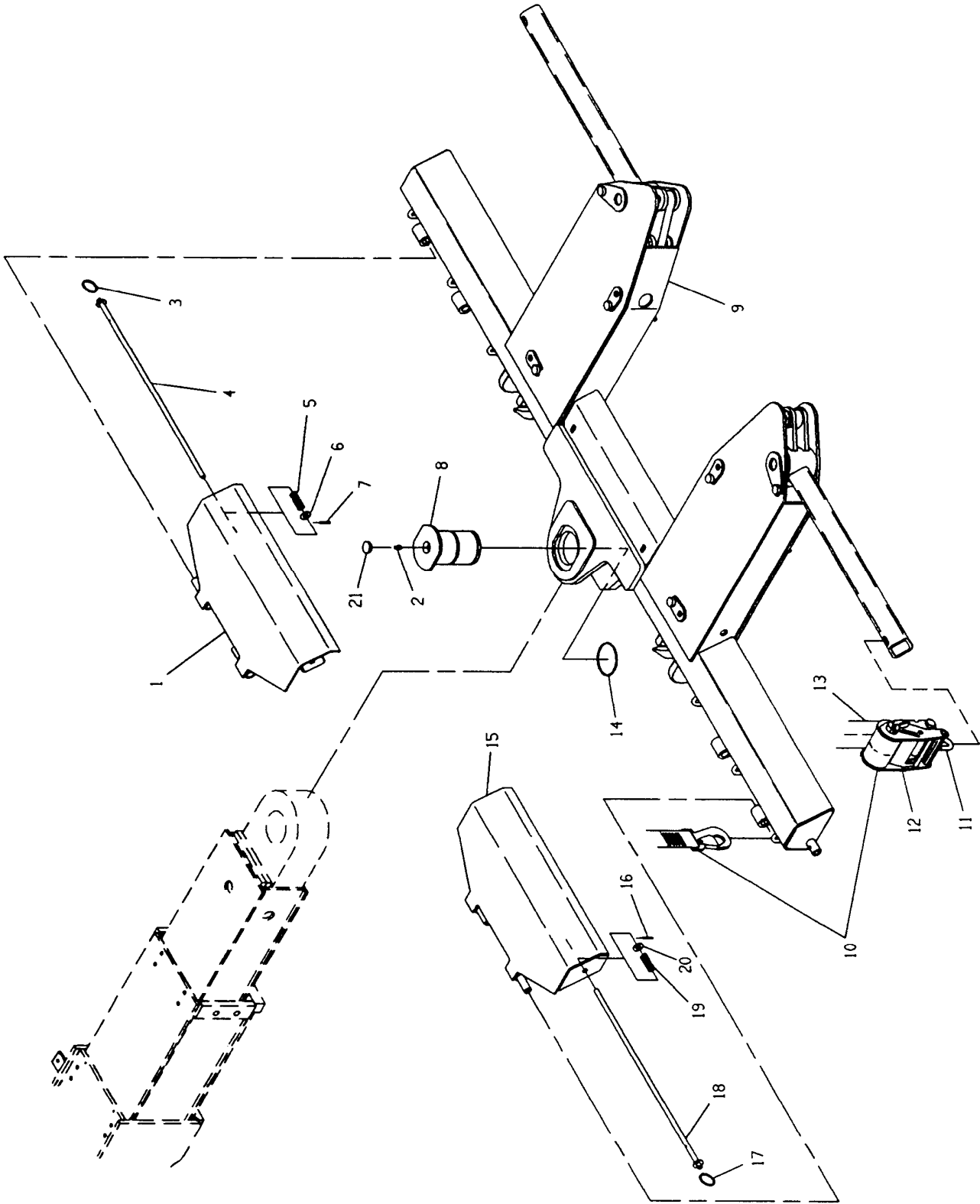
³ Part of item 14 (Wheel Spacer, LH)

Rev. 2

D-14

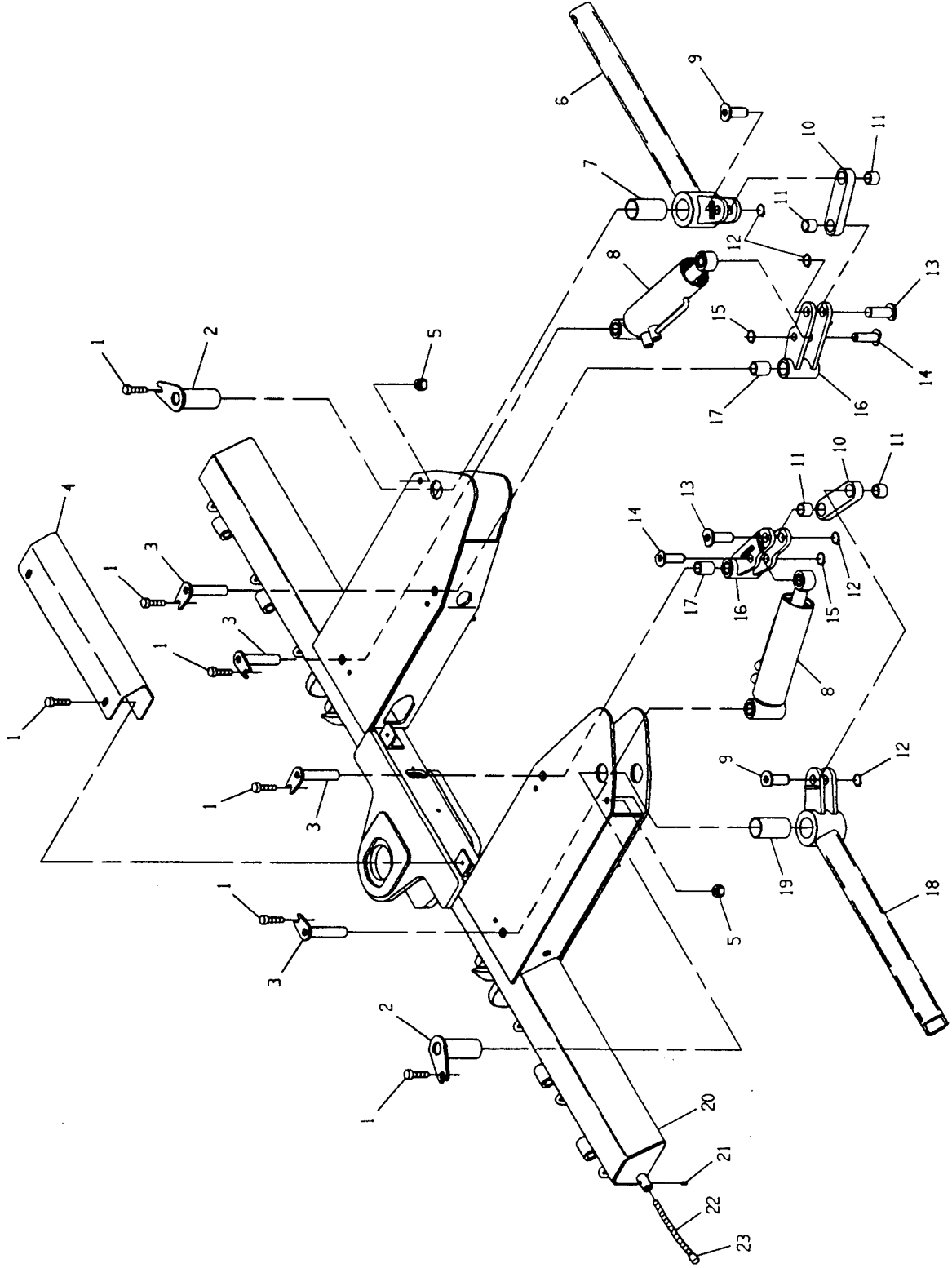
Date 2-15-96

POWER GRID™ INSTALLATION



Rev. 2
Date 2-15-96

POWER GRID™ ASSEMBLY



Rev. 2

Date 2-15-96

PARTS LIST - POWER GRID™ ASSEMBLY

Ref. No.	Part No.	Description	Qty.
1	7120000022	Flange Head Screw	8
2	3691000120	Pin Weldment	2
3	3691000121	Pin Weldment	4
4	4314000033	Cover Plate	1
5	7660162601	Locknut	4
6	3020000035	Straight Arm Weldment, RH	1
7	7211000002 ¹	Bushing	1
8	3320000050	Grid Cylinder	2
9	3691000123	Pin Weldment	2
10	3592000017	Single Link	2
11	7209000019 ²	Bronze Bushing	4
12	7754000022	Retaining Ring	4
13	3691000124	Pin Weldment	2
14	3691000122	Pin Weldment	2
15	7754000038	Snap Ring	2
16	3592000016	Pivot Link Weldment	2
17	7209000020 ³	Bronze Bushing	4
18	3020000036	Straight Arm Weldment, LH	1
19	7211000002 ⁴	Bushing	1
20	3484000026	Grid Weldment	1
21	7785140400	Set Screw	2
22	4843000001	Marker Spring	1
23	7254000006	Black Cap	1

¹ Part of item 6 (Straight Arm Weldment, RH)

² Part of item 10 (Single Link)

³ Part of item 16 (Pivot Link Weldment)

⁴ Part of item 18 (Straight Arm Weldment, LH)

Rev. 2

D-17

Date 2-15-96

**PARTS LIST - GRID CYLINDER
332000050**

Ref. No.	Part No.	Description	Qty.
1	3071000047	Barrel Weldment	1
2	7209000020 ¹	Bronze Bushing	2
3	7660202031	Hex Nut	1
4	7754000030 ³	Wear Ring	2
5	7796000026 ³	Piston Seal	1
6	4698000011	Piston	1
7	7755214609 ³	Backup Ring	2
8	7755214000 ³	O-Ring	1
9	7754000001 ³	Retaining Ring	1
10	7755327000 ³	O-Ring	1
11	7755327609 ³	Backup Ring	1
12	4553000011	Head	1
13	7754000036 ³	Wear Ring	1
14	7796000023 ³	Rod Seal	1
15	7796000005 ³	Wiper	1
16	7754000025 ³	Retaining Ring	1
17	3763000069	Rod Weldment	1
18	7209000021 ²	Bronze Bushing	1

¹ Part of item 2 (Barrel Weldment)

² Part of item 17 (Rod Weldment)

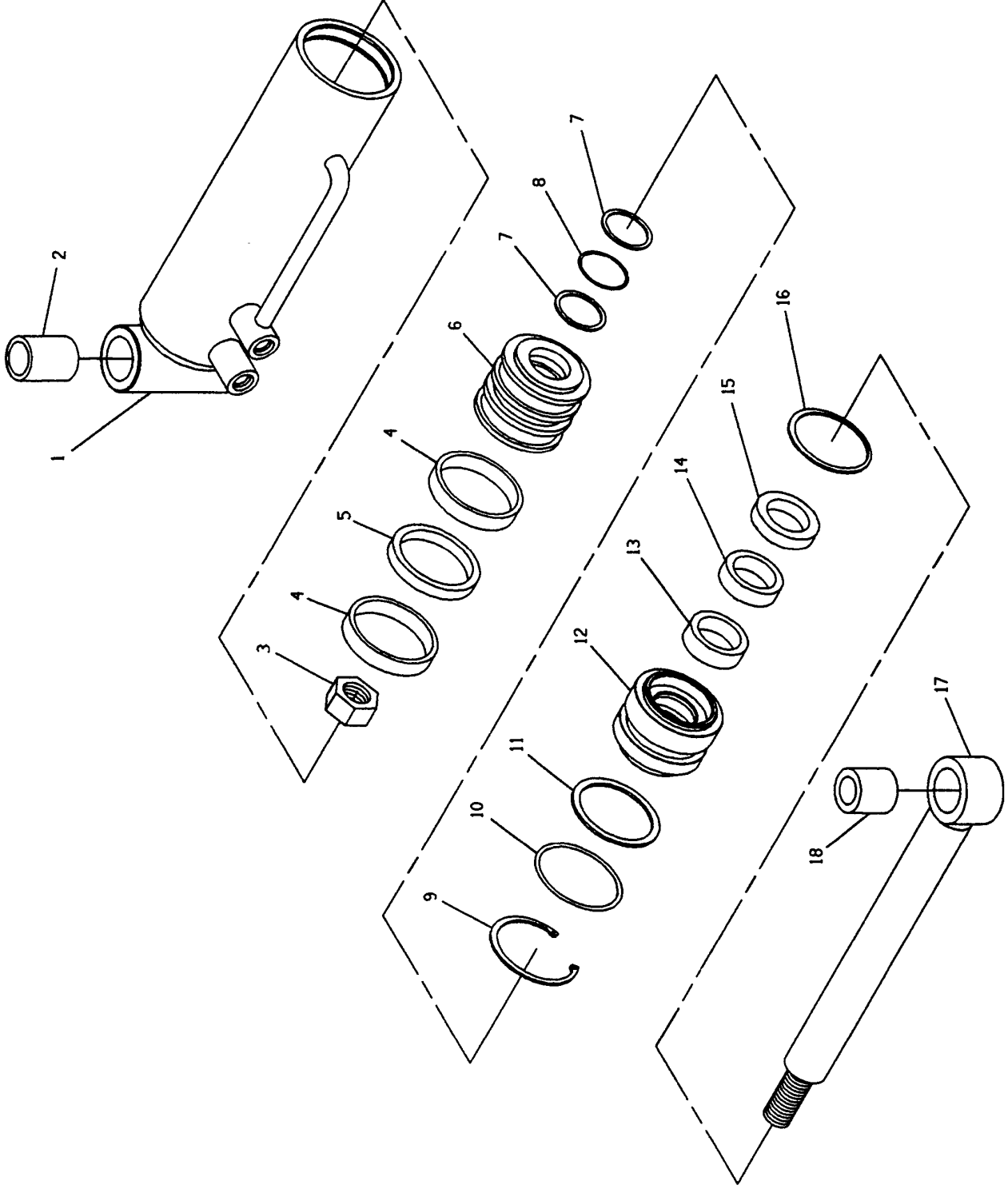
³ Available only in Seal Kit No. 7577250023

Rev. 1

D-18

Date 10-1-95

**GRID CYLINDER
332000050**



**H408S
4-TON WRECKER BOOM
PARTS**

B-KE

E-1

Part Number 5-376-000014
Rev. 1

PARTS LIST — WRECKER BOOM

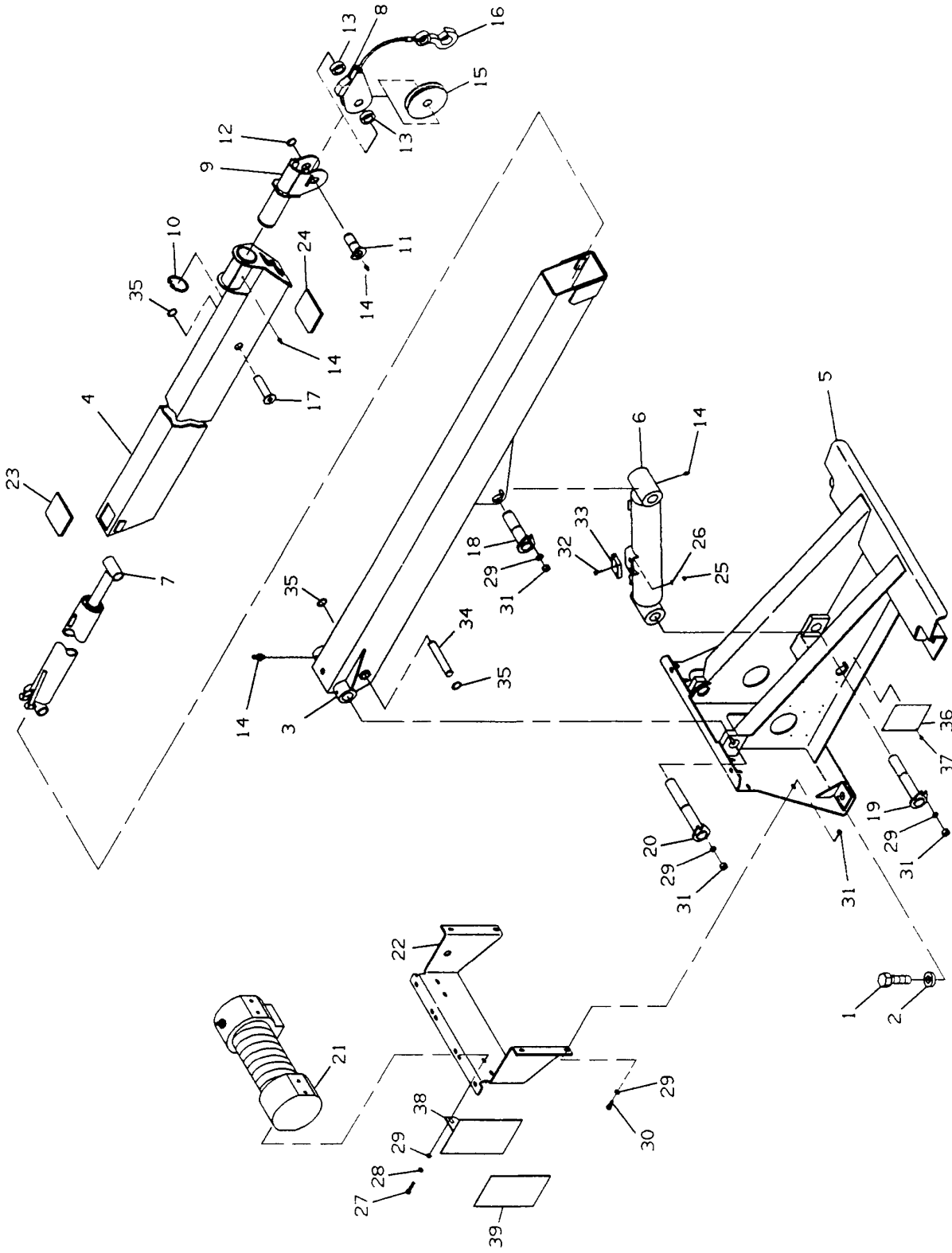
Ref. No.	Part No.	Description	Qty.
1	7115241650	Capscrew	4
2	7950240162	Flatwasher	4
3	3170000067	Base Section	1
4	3170000066	Fly Section	1
5	3073000005	Base	1
6	3320000044	Lift Cylinder	1
7	3320000045	Extension Cylinder	1
8	3510900068	Cable Guide	1
9	3512900006	Sheave Support	1
10	7754000005	Retaining Ring	1
11	3691000002	Pin	1
12	7754000006	Retaining Ring	1
13	4209000019	Bushing	2
14	7440030000	Grease Fitting	7
15	7809000001	Wire Rope Sheave	1
16	7248000003	Cable	1
17	3691000113	Pin	1
18	3691000103	Pin	1
19	3691000104	Pin	1
20	3691000105	Pin	1
21	7970000005	8,000# Winch	1
22	4314000024	Winch Mount	1
23	4679000088	Slide Pad	1
24	4679000089	Slide Pad	1
25	7660152600	Hexnut	2
26	7950150161	Flatwasher	2
27	7115160850	Capscrew	8
28	7950160000	Lockwasher	8
29	7950160959	Flatwasher	19
30	7115161050	Capscrew	4
31	7660162601	Locknut	7
32	7111151650	Capscrew	2
33	7935000001	Counter Balance Valve	1
34	4691000120	Telescope Pin	1
35	7754000019	Retaining Ring	3
36	7330000145	Wrecker Boom Placard	1
37	7759000004	Pop Rivet	4
38	4706001255	Decal Mounting Plate	1
39	7330000138	Operators Checklist	1

Rev. 1

E-2

Date 6-1-96

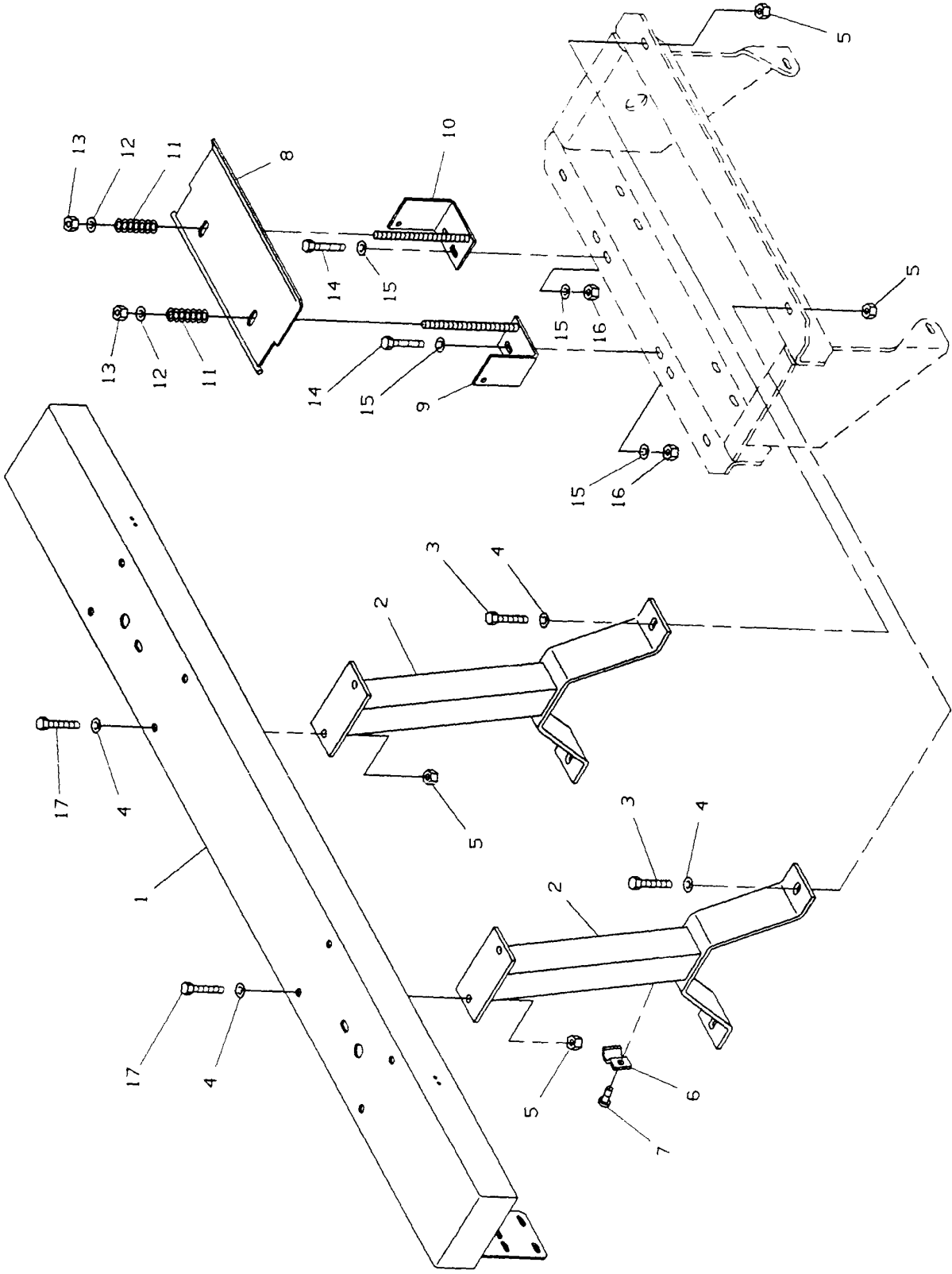
WRECKER BOOM



Rev. 1

Date 6-1-96

LIGHT PYLON AND CABLE TENSIONER



PARTS LIST — LIGHT PYLON AND CABLE TENSIONER

Ref. No.	Part No.	Description	Qty.
1	3263000011	Channel	1
2	3178000060	Mounting Bracket (17")	2
	3178000100	Mounting Bracket (27")	2
3	7115161050	Capscrew	4
4	7950150161	Flatwasher	8
5	7660162601	Locknut	8
6	7280000001	Jiffy Clip	2
7	7790100856	Screw	2
8	3706000008	Pressure Plate	1
9	3017000003	Angle, LH	1
10	3017000002	Angle, RH	1
11	7843000004	Spring	2
12	7950180161	Flatwasher	4
13	7660182600	Locknut	2
14	7111161050	Capscrew	4
15	7950160161	Flatwasher	8
16	7660162601	Locknut	4
17	7115160850	Capscrew	4

Rev. 1

E-5

Date 6-1-96

**PARTS LIST — LIFT CYLINDER
3320000044**

Ref. No.	Part No.	Description	Qty.
1	3763000056	Cylinder Rod	1
2	7754000028	Retaining Ring	1
3	4553000009	Aluminum Head	1
4	7796000011*	Rod Wiper Seal	1
5	7796000025*	Rod Seal	1
6	7754000012*	Piston Wear Ring	1
7	7755342609*	Backup Ring	1
8	7755342000*	O-Ring	1
9	7754000013	Retaining Ring	1
10	7755226609*	Backup Ring	2
11	7755226000*	O-Ring	1
12	4698000008	Piston	1
13	7754000011*	Piston Wear Ring	2
14	7796000009*	Piston Seal	1
15	7660341631	Locknut	1
16	3071000042	Barrel	1

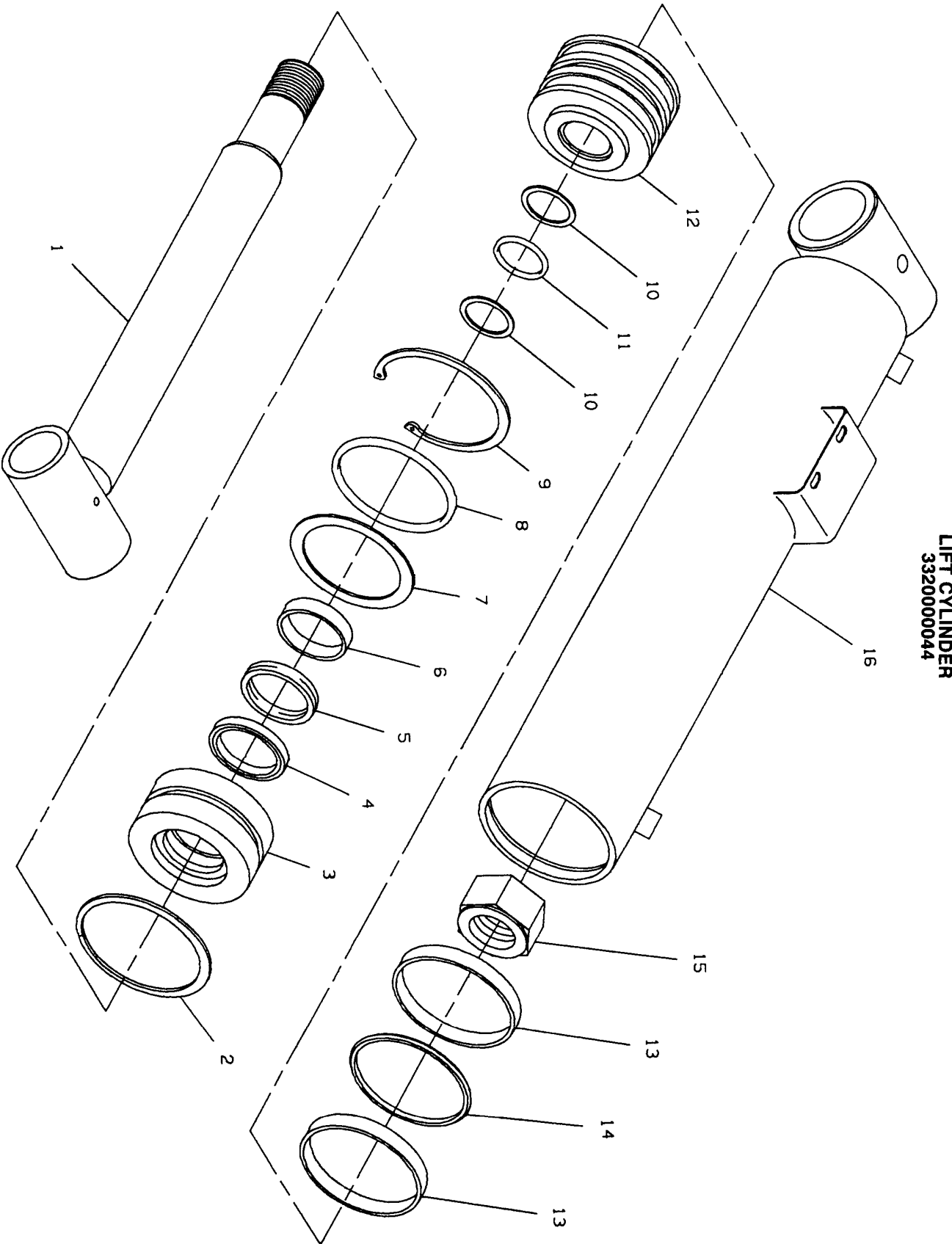
* - Available only in Service Kit No. 7577250044

Rev. _____

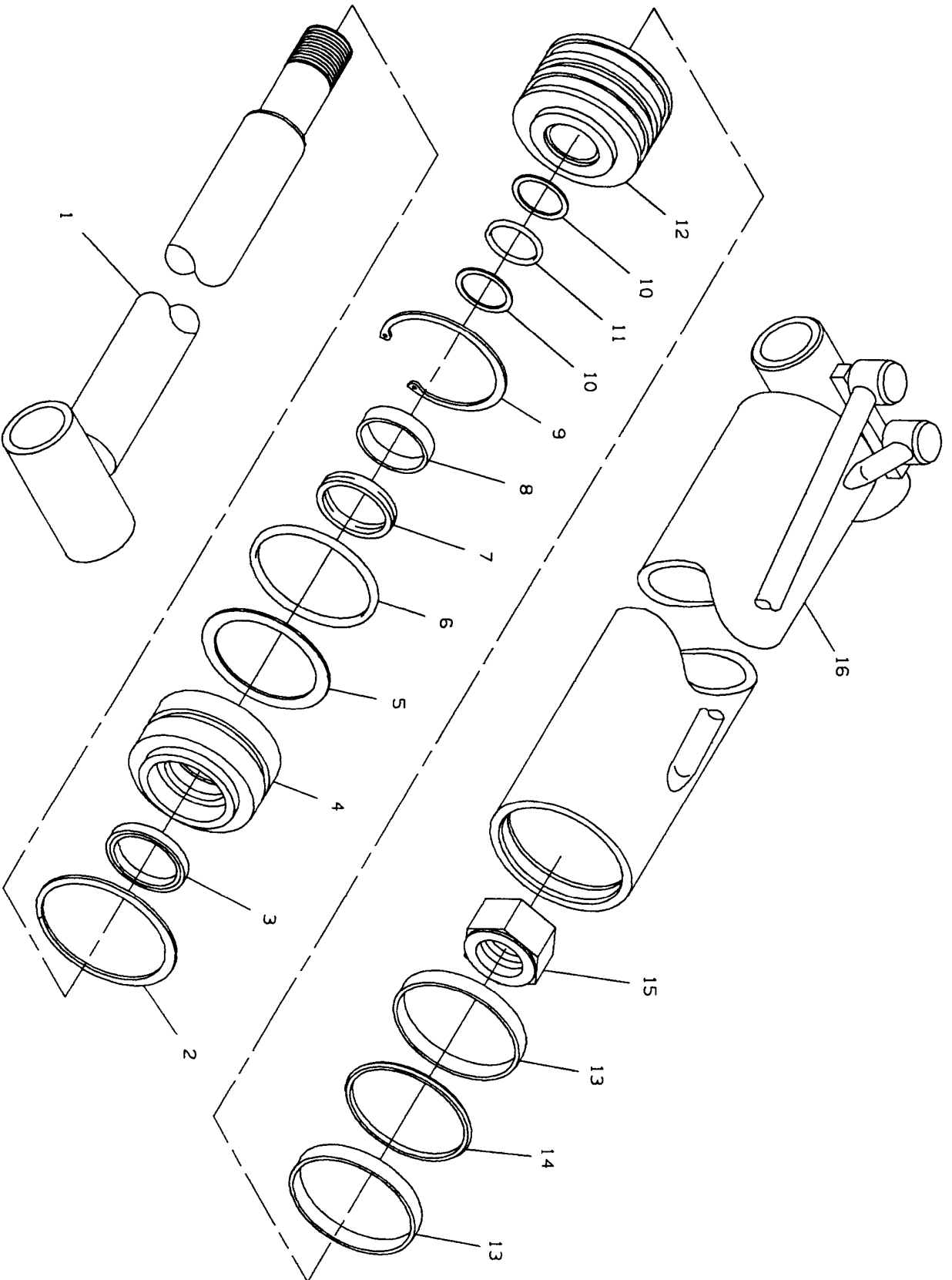
E-6

Date _____

LIFT CYLINDER
3320000044



WRECKER BOOM EXTENSION CYLINDER
3320000045



**PARTS LIST — WRECKER BOOM EXTENSION CYLINDER
332000045**

Ref. No.	Part No.	Description	Qty.
1	3763000057	Cylinder Rod	1
2	7754000025	Retaining Ring	1
3	7796000005*	Rod Wiper Seal	1
4	4553000011	Aluminum Head	1
5	7755327609*	Backup Ring	1
6	7755327000*	O-Ring	1
7	7796000023*	Rod Seal	1
8	7754000036*	Piston Wear Ring	1
9	7754000001	Retaining Ring	1
10	7755214609*	Backup Ring	2
11	7755214000*	O-Ring	1
12	4698000011	Piston	1
13	7796000030*	Piston Wear Ring	2
14	7796000026*	Piston Seal	1
15	7660202031	Locknut	1
16	3071000043	Barrel	1

* - Available only Service Kit No. 7577250041

Rev. 1

E-9

Date 6-1-96

PARTS LIST - HYDRAULIC COMPONENTS

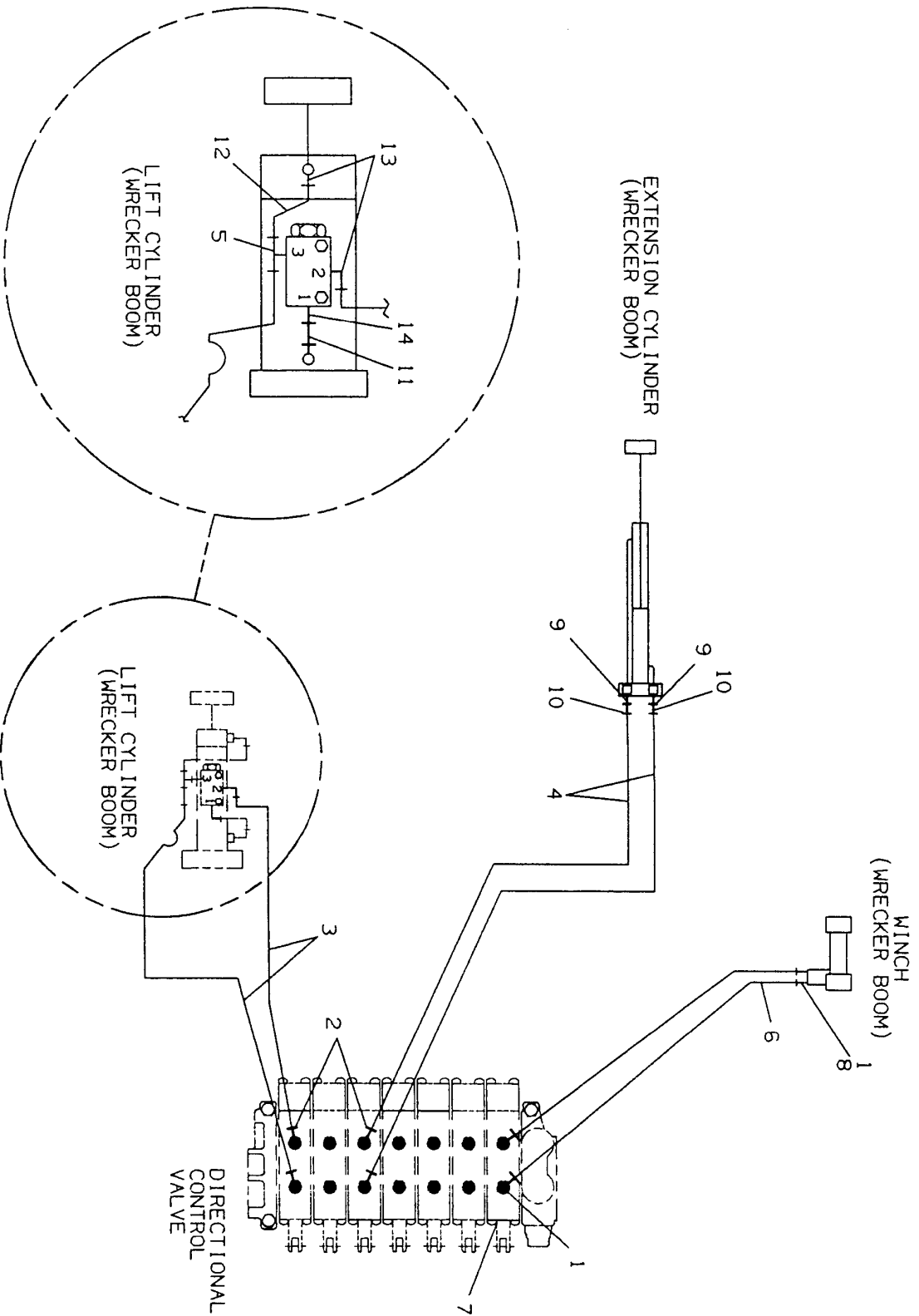
Ref. No.	Part No.	Description	Qty.
1	7445081043	Adapter	4
2	7445061043	Adapter	4
3	4567322064	Hose	2
4	4567122055	Hose	2
5	7445060647	Tee Branch	1
6	4567332075	Hose	2
7	7935000076	Valve Relief Cartridge	1
8	7443000023	Elbow - 90°	2
9	7445060643	Adapter	2
10	7445060672	Elbow - 90°	2
11	7912000028	Line Tube	1
12	7912000029	Line Tube	1
13	7445060645	Elbow	2
14	7445060646	Elbow	1

Rev. 1

E-10

Date 6-1-96

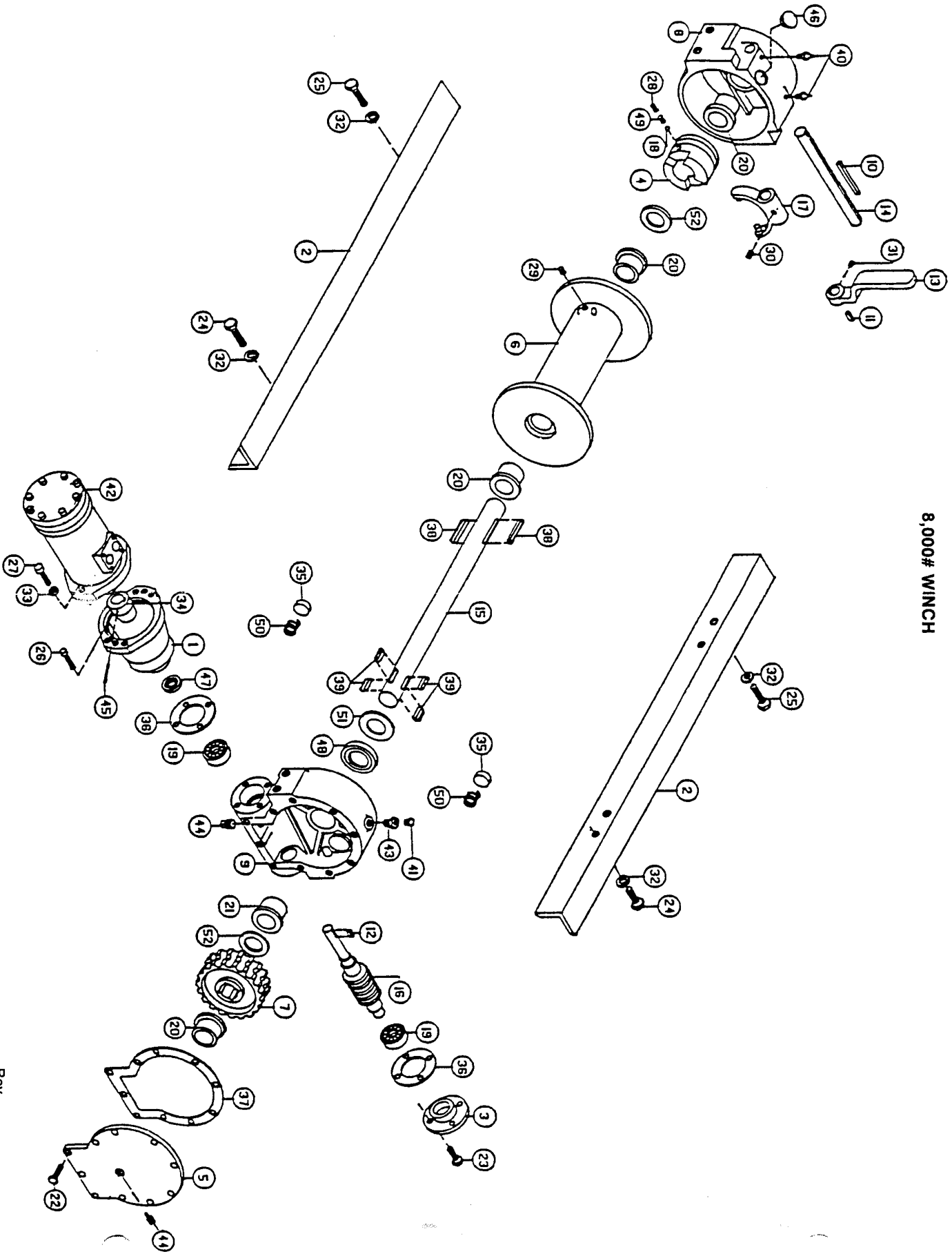
HYDRAULIC COMPONENTS



E-11

Rev. 1
Date 6-1-96

8,000# WINCH



PARTS LIST — 8,000# WINCH

Ref. No.	Part No.	Description	Qty.
1	300057	Adapter	1
2	302809	Angle	2
	302810	Angle	2
3	316083	Bearing Cap	1
4	324161	Jaw Clutch	1
5	328134	Cover	1
6	332105	Drum	1
	332007	Drum	1
7	334161	Gear R.H.	1
	334163	Gear R.H.	1
	334165	Gear R.H.	1
8	338003	Clutch Housing	1
9	338273	Gear Housing	1
10	242018	Key	1
11	342024	Key	1
12	342027	Key	1
13	344008	Lever	1
14	356902	Shaft	1
15	357479	Drum Shaft	1
	357480	Drum Shaft	1
16	368002	Worm, R.H.	1
	368007	Worm, R.H.	1
	368011	Worm, R.H.	1
17	370001	Yoke	1
18	400001	Poppet Ball	1
19	402002	Ball Bearing	2
20	412003	Bushing	4
21	412045	Bushing	1
22	414038	Capscrew	10
23	414045	Capscrew	4
24	414279	Capscrew	2
25	414282	Capscrew	6
26	414842	Capscrew	4
27	414952	Capscrew	2
28	416040	Setscrew	1
29	416059	Setscrew	1
30	416084	Setscrew	1
31	416109	Setscrew	1
32	418177	Lockwasher	8
33	418218	Lockwasher	2
34	431008	Coupling	1
35	438014	Brake Disc	1
36	442184	Gasket	2
37	442205	Gasket	1
38	450006	Key	2
39	450016	Key	4
40	456006	Lube Fitting	2
41	456008	Relief Fitting	1
42	458050	Hydraulic Motor	1
43	468002	Reducer	1
44	468011	Pipe Plug	2

Rev. _____

E-13

Date _____

PARTS LIST — 8,000# WINCH

Ref. No.	Part No.	Description	Qty.
45	470033	Spirol Pin	1
46	472013	Plug	1
47	486009	Oil Seal	1
48	486017	Oil Seal	1
49	494001	Spring	1
50	494002	Spring	2
51	518014	Thrust Washer	1
52	518015	Thrust Washer	2

Rev. _____

E-14

Date _____

**0808S AND 0808D
8-TON WRECKER BOOM
PARTS**

B-KE

E-1

Part Number 5-376-000015
Rev. 1

PARTS LIST - SINGLE WINCH WRECKER BOOM

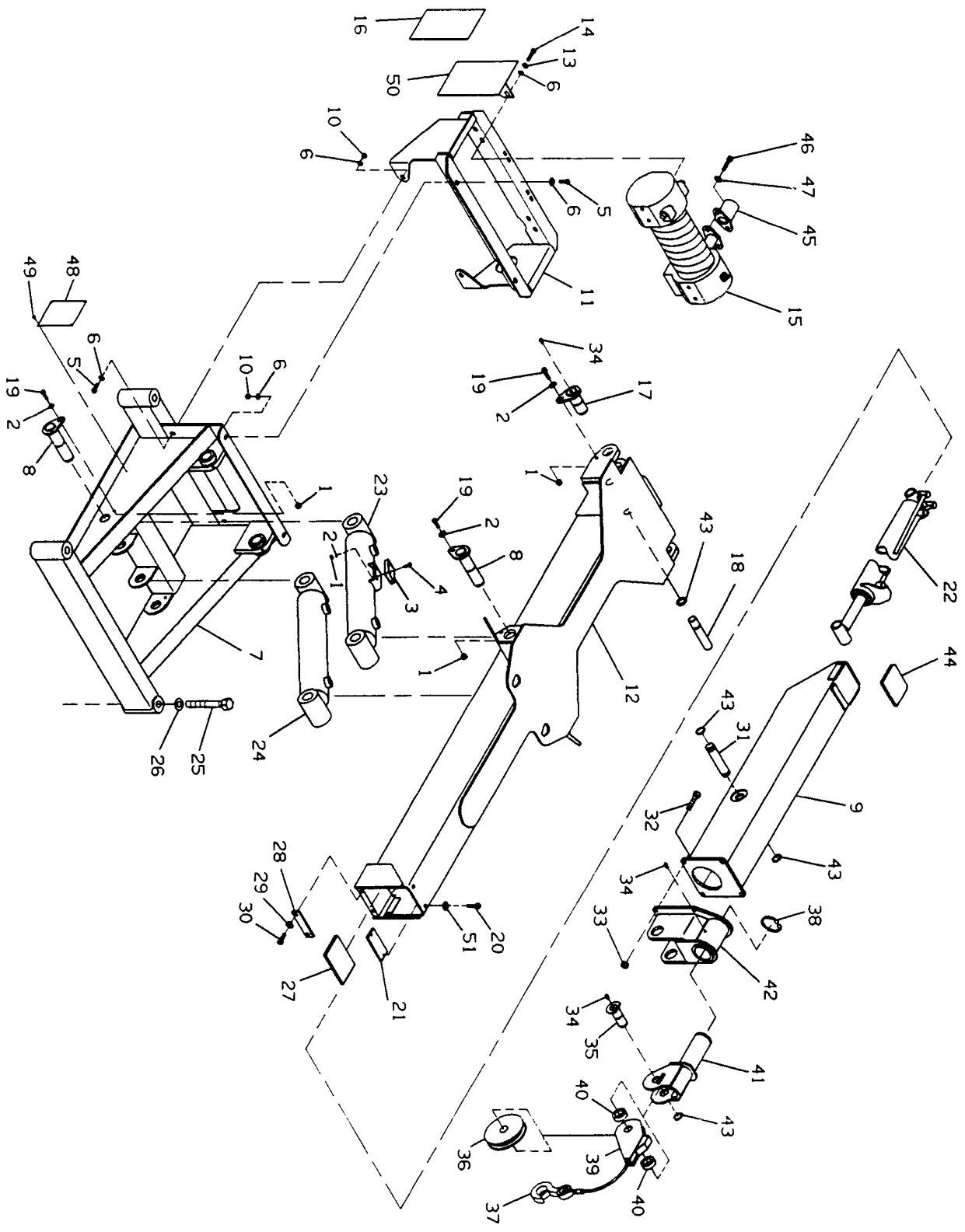
Ref. No.	Part No.	Description	Qty.
1	7660152600	Locknut	8
2	7950150161	Flatwasher	8
3	7935000001	Counterbalance Valve	1
4	7111151650	Capscrew	2
5	7115161050	Capscrew	4
6	7950160959	Flatwasher	16
7	3511100079	Base	1
8	3691000075	Pin	4
9	3510100060	Fly Section	1
10	7660162601	Locknut	4
11	3510100050	Single Winch Mount	1
12	3510100062	Base Section	1
13	7950160000	Lockwasher	8
14	7115160850	Capscrew	8
15	7970000005	8000# Winch	1
16	7330000138	Operator's Checklist	1
17	3691000076	Pin	2
18	4691000179	Pin	1
19	7115151050	Capscrew	6
20	7118140418	Capscrew	2
21	4706000067	Plate	1
22	3320000007	Extension Cylinder	1
23	3320000011	Lift Cylinder, L.H.	1
24	3320000012	Lift Cylinder, R.H.	1
25	7115245650	Capscrew	4
26	7950240161	Flatwasher	4
27	4679000005	Wear Pad	1
28	4706000160	Plate	1
29	7950180000	Lockwasher	2
30	7115180850	Capscrew	2
31	4691000027	Pin	1
32	7115181250	Capscrew	4
33	7660182600	Locknut	4
34	7440030000	Grease Fitting	8
35	3691000002	Pin	1
36	7809000001	Sheave	1
37	7248000003	Cable Assembly	1
38	7754000005	Retaining Ring	1
39	3510900068	Cable Guide	1
40	4209000019	Bushing	2
41	3512900006	Sheave Support	1
42	3510100058	Boom Nose	1
43	7754000006	Retaining Ring	6
44	4679000004	Wear Pad	1
45	7626000008	Orbit Motor	1
46	7115181050	Capscrew	2
47	7950180400	Lockwasher	2
48	7330000145	Wrecker Boom Placard	1
49	7759000004	Pop Rivets	4
50	4706001255	Decal Mounting Plate	1
51	7950140161	Flatwasher	2

Rev. 1

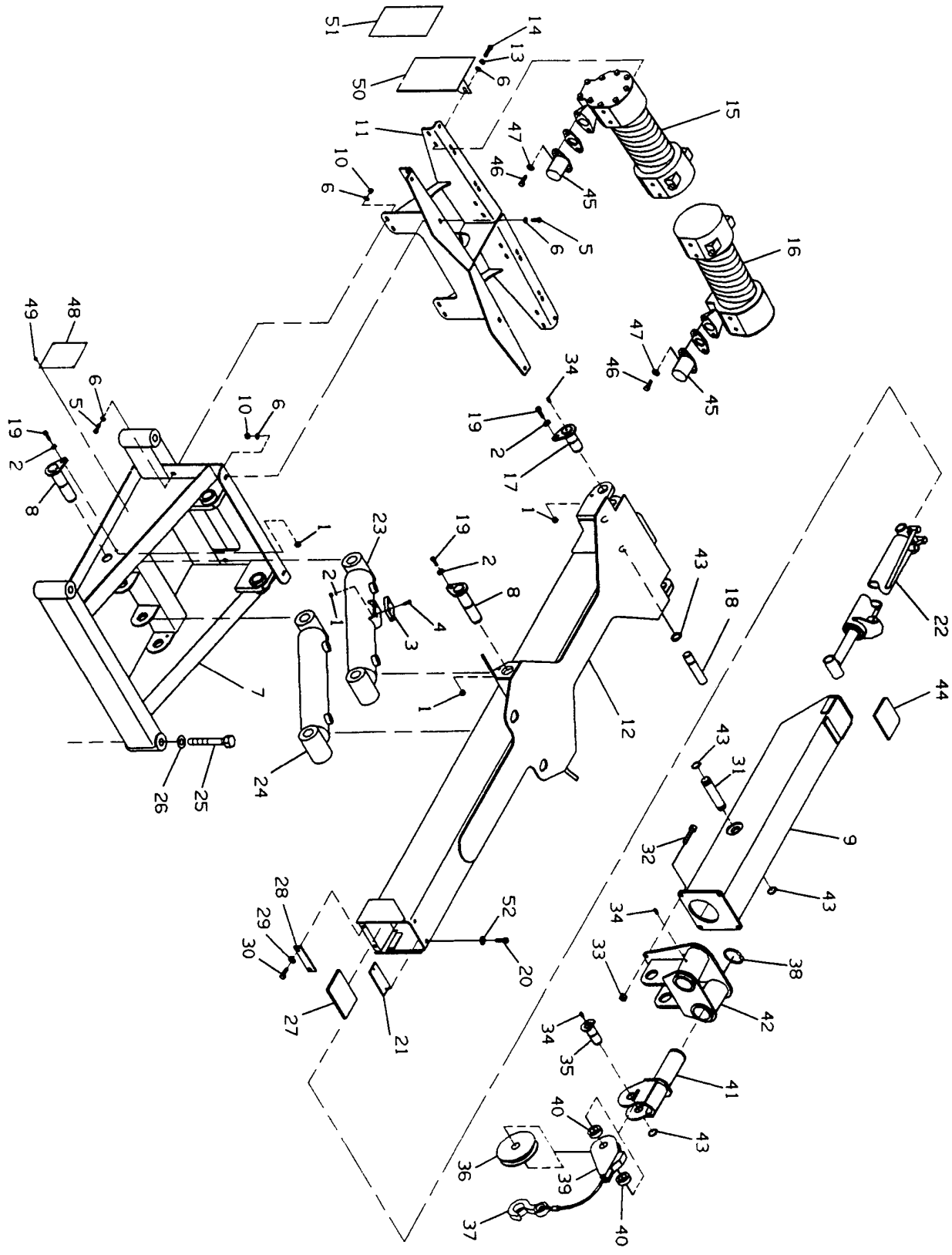
E-2

Date 6-1-96

SINGLE WINCH WRECKER BOOM



DUAL WINCH WRECKER BOOM



PARTS LIST - DUAL WINCH WRECKER BOOM

Ref. No.	Part No.	Description	Qty.
1	7660152600	Locknut	8
2	7950150161	Flatwasher	8
3	7935000001	Counterbalance Valve	1
4	7111151650	Capscrew	2
5	7115161050	Capscrew	6
6	7950160959	Flatwasher	32
7	3511100079	Base	1
8	3691000075	Pin	4
9	3510100060	Fly Section	1
10	7660162601	Locknut	6
11	3510100051	Winch Mount	1
12	3510100062	Base Section	1
13	7950160000	Lockwasher	16
14	7115160850	Capscrew	16
15	7970000005	8000# Winch, L.H.	1
16	7970000004	8000# Winch, R.H.	1
17	3691000076	Pin	2
18	4691000179	Pin	1
19	7115151050	Capscrew	6
20	7118140418	Capscrew	2
21	4706000067	Plate	1
22	3320000007	Extension Cylinder	1
23	3320000011	Lift Cylinder, L.H.	1
24	3320000012	Lift Cylinder, R.H.	1
25	7115245650	Capscrew	4
26	7950240161	Flatwasher	4
27	4679000005	Wear Pad	1
28	4706000160	Plate	1
29	7950180000	Lockwasher	2
30	7115180850	Capscrew	2
31	4691000027	Pin	1
32	7115181450	Capscrew	4
33	7660182600	Locknut	4
34	7440030000	Grease Fitting	10
35	3691000134	Pin	2
36	7809000001	Sheave	2
37	7248000003	Cable Assembly	2
38	7754000018	Retaining Ring	2
39	3249000002	Cable Guide	2
40	4209000019	Bushing	4
41	3502900023	Sheave Support	2
42	3502100024	Boom Nose	1
43	7754000006	Retaining Ring	6
44	4679000004	Wear Pad	1
45	7626000008	Orbit Motor	2
46	7115181050	Capscrew	4
47	7950180400	Lockwasher	4
48	7330000145	Wrecker Boom Placard	1
49	7759000004	Pop Rivets	4
50	4706001255	Decal Mounting Plate	1
51	7330000138	Operator's Checklist	1
52	7590140161	Flatwasher	2

Rev. 1

E-5

Date 6-1-96

PARTS LIST — LIGHT PYLON AND CABLE TENSIONER

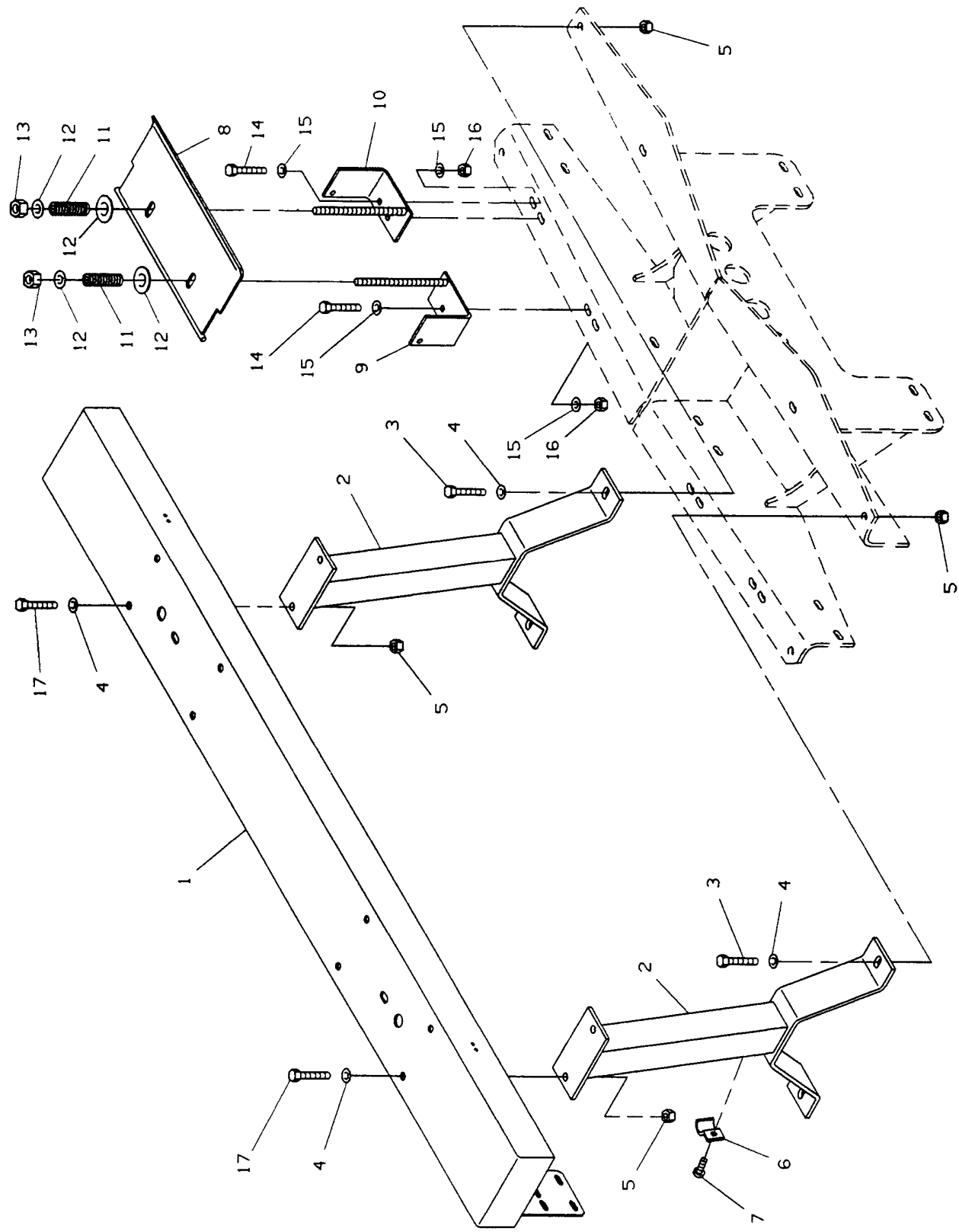
Ref. No.	Part No.	Description	Qty.
1	3263000011	Channel	1
2	3178000060	Mounting Bracket (17")	2
	3178000100	Mounting Bracket (27")	2
3	7115161050	Capscrew	4
4	7950150161	Flatwasher	8
5	7660162601	Locknut	8
6	7280000001	Jiffy Clip	2
7	7790100856	Screw	2
8	3706000008	Pressure Plate	1
9	3017000003	Angle, LH	1
10	3017000002	Angle, RH	1
11	7843000004	Spring	2
12	7950180161	Flatwasher	4
13	7660182600	Locknut	2
14	7111161050	Capscrew	4
15	7950160161	Flatwasher	8
16	7660162601	Locknut	4
17	7115160850	Capscrew	4

Rev. 1

E-6

Date 6-1-96

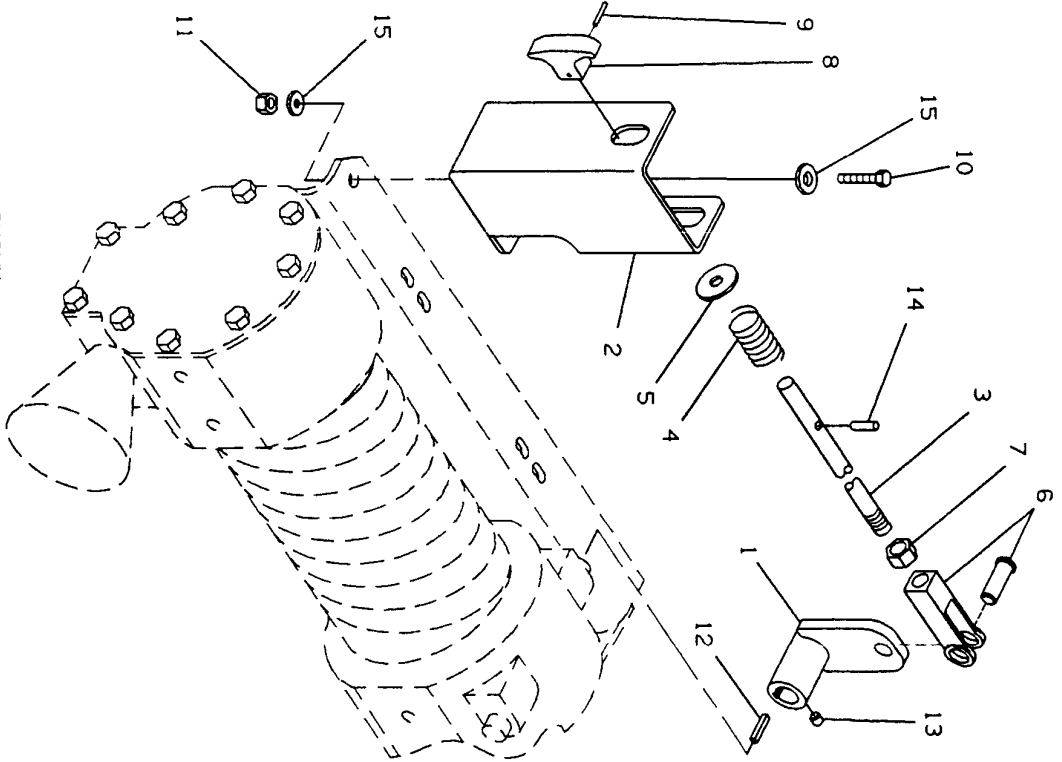
LIGHT PYLON AND CABLE TENSIONER



Rev. 1

Date 6-1-96

REMOTE FREE SPOOL



*NOTE: R.H. SHOWN
L.H. OPPOSITE

PARTS LIST — REMOTE FREE SPOOL

Ref. No.	Part No.	Description	Qty.
1	3587000007	Lever	1
2	4178000167	Bracket, R.H.	1
	4178000166	Bracket, L.H.	1
3	3587000008	Shaft	1
4	7843000010	Compression Spring	1
5	7950180161	Flatwasher	1
6	7308000013	Yoke and Clevis	1
7	7660180030	Hexnut	1
8	4551000005	Handle	1
9	7690051640	Spring Pin	1
10	7115161250	Capscrew	1
11	7660160000	Hexnut	1
12	4575060600	Keystock	1
13	9785960003	Set Screw	1
14	7690102045	Spring Pin	1
15	7950160162	Flatwasher	2

Rev. 1

E-9

Date 6-1-96

**PARTS LIST — R.H. WRECKER BOOM LIFT CYLINDER
332000012**

Ref. No.	Part No.	Description	Qty.
1	3763000041	Cylinder Rod	1
2	7660342031	Locknut	1
3	7754000011*	Piston Wear Ring	2
4	7796000009*	Piston Seal	1
5	4698000008	Piston	1
6	7755226609*	Backup Ring	2
7	7755226000*	O-Ring	1
8	7754000028	Retaining Ring	1
9	7755342000*	O-Ring	1
10	7755342609*	Backup Ring	1
11	7754000012*	Wear Ring	1
12	7796000025*	Rod Seal	1
13	7796000011*	Rod Wiper Seal	1
14	4553000009	Head	1
15	7754000013	Retaining Ring	1
16	3071000012	Barrel, RH	1

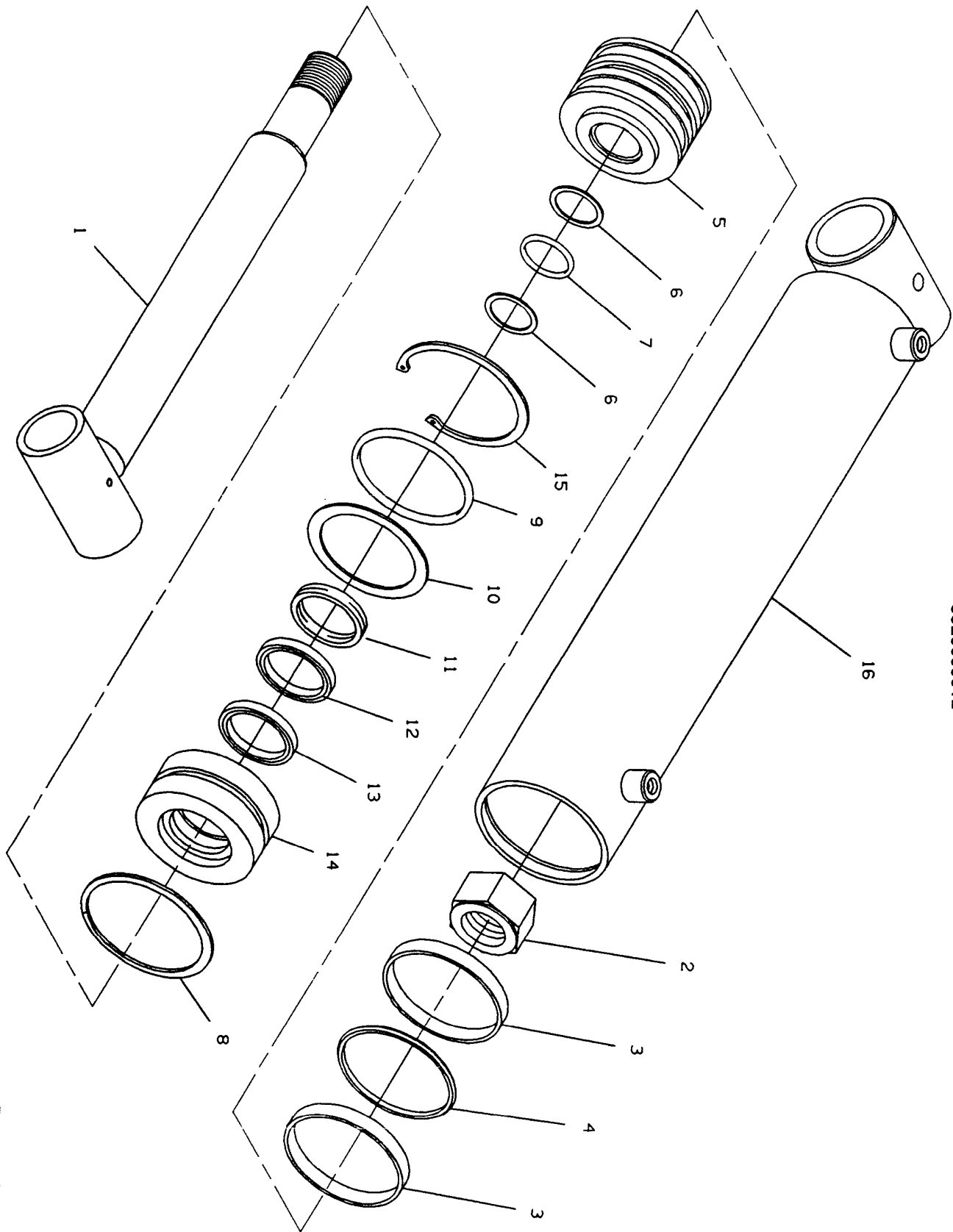
* - Available Only in Service Kit No. 7577250026

Rev. _____

E-10

Date _____

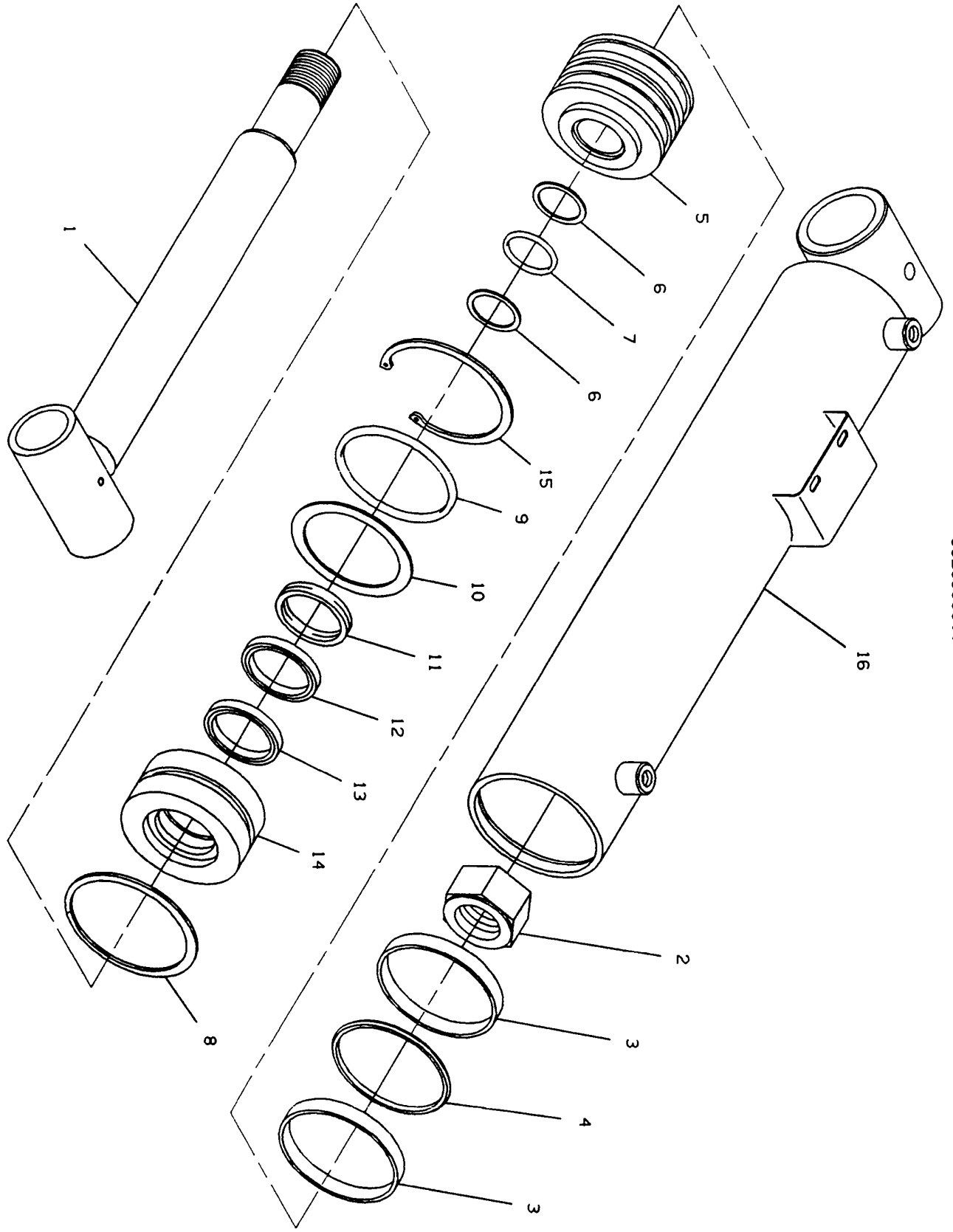
R.H. WRECKER BOOM LIFT CYLINDER
3320000012



E-11

Rev. 1
Date 6-1-96

L.H. WRECKER BOOM LIFT CYLINDER
3320000011



**PARTS LIST — L.H. WRECKER BOOM LIFT CYLINDER
332000011**

Ref. No.	Part No.	Description	Qty.
1	3763000041	Cylinder Rod	1
2	7660341631	Locknut	1
3	7754000011*	Wear Ring	2
4	7796000009*	Piston Seal	1
5	4698000008	Piston	1
6	7755226609*	Backup Ring	2
7	7755226000*	O-Ring	1
8	7754000028	Retaining Ring	1
9	7755342000*	O-Ring	1
10	7755342609*	Backup Ring	1
11	7754000012*	Wear Ring	1
12	7796000025*	Rod Seal	1
13	7796000011*	Rod Wiper Seal	1
14	4553000009	Head	1
15	7754000013	Retaining Ring	1
16	3071000011	Barrel, LH	1

* - Available Only in Service Kit No. 7577250026

Rev. _____

E-13

Date _____

**PARTS LIST — WRECKER BOOM EXTENSION CYLINDER
332000007**

Ref. No.	Part No.	Description	Qty.
1	3763000040	Cylinder Rod	1
2	7660262031	Locknut	1
3	7754000003	Wear Ring	2
4	7796000006*	Piston Seal	1
5	4698000007	Piston	1
6	7755224609*	Backup Ring	2
7	7755224000*	O-Ring	1
8	7754000002	Retaining Ring	1
9	7754000004*	Wear Ring	1
10	7796000024*	Rod Seal	1
11	7755334000*	O-Ring	1
12	7755334609*	Backup Ring	1
13	4553000008	Head	1
14	7796000008*	Rod Wiper Seal	1
15	7754000026	Retaining Ring	1
16	3071000007	Barrel	1

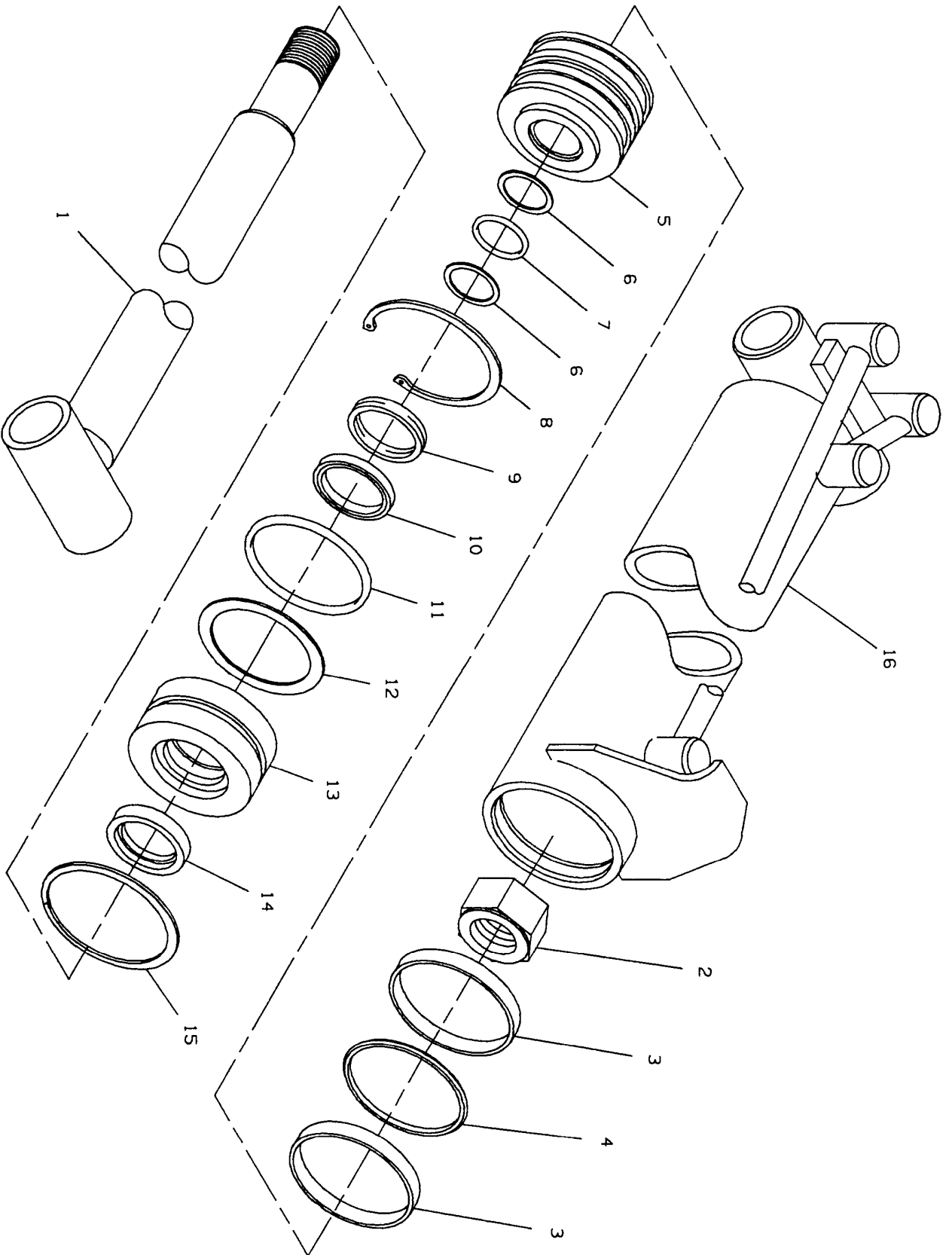
* - Available Only in Service Kit No. 7577250024

Rev. 1

E-14

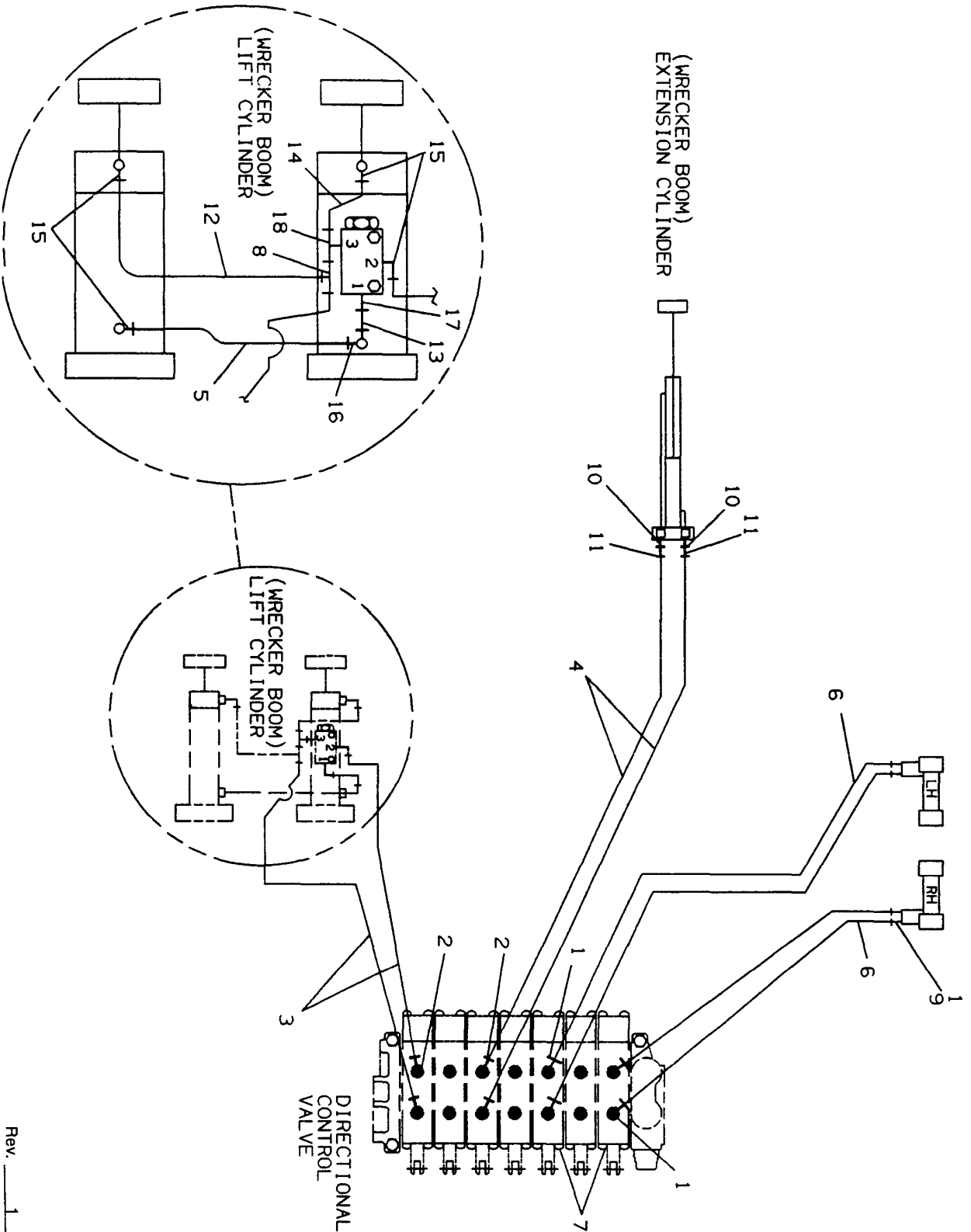
Date 6-1-96

WRECKER BOOM EXTENSION CYLINDER
332000007



HYDRAULIC COMPONENTS

(WRECKER BOOM)
WINCHES



PARTS LIST - HYDRAULIC COMPONENTS

Ref. No.	Part No.	Description	Qty.
1	7445081043 (A)	Adapter	4
	7445081043 (B)	Adapter	8
2	7445061043	Adapter	4
3	4567322064	Hose	2
4	4567122055	Hose	2
5	7912000002	Tube	1
6	4567332075 (A)	Hose	2
	4567332075 (B)	Hose	4
7	7935000076 (A)	Valve Relief Cartridge	1
	7935000076 (B)	Valve Relief Cartridge	2
8	7443000030	Tee	1
9	7443000023 (A)	Elbow - 90°	2
	7443000023 (B)	Elbow - 90°	4
10	7445060643	Adapter	2
11	7445060672	Elbow - 90°	2
12	4567222022	Hose	1
13	7912000001	Tube	1
14	4570000008	Hose	1
15	7445060645	Elbow - 90°	4
16	7445060648	Tee	1
17	7445060646	Elbow - 45°	1
18	7445060647	Tee	1

- A - Application with Single Winch Wrecker Boom
- B - Application with Dual Winch Wrecker Boom

Rev. 1

E-17

Date 6-1-96

PARTS LIST - 8000# WINCH

Ref. No.	Part No.	Description	Qty.
1	300057	Adapter	1
2	302809	Angle	2
	302810	Y Angle	2
3	316083	Bearing Cap	1
4	324161	Jaw Clutch	1
5	328134	Cover	1
6	332105	Drum	1
	332007	Y Drum	1
7	334161	Gear R.H. 60:1	1
	334163	Gear R.H. 46:1	1
	334165	Gear R.H. 30:1	1
8	338003	Clutch Housing	1
9	338273	Gear Housing	1
10	242018	Key	1
11	342024	Key	1
12	342027	Key	1
13	344008	Shift Lever	1
14	356902	Shaft	1
15	357479	Drum Shaft	1
	357480	Y Drum Shaft	1
16	368002	Worm R.H. 46:1	1
	368007	Worm R.H. 60:1	1
	368011	Worm R.H. 30:1	1
17	370001	Yoke	1
18	400001	Poppet Ball	1
19	402002	Ball Bearing	2
20	412003	Bushing	4
21	412045	Bushing	1
22	414038	Capscrew	10
23	414045	Capscrew	4
24	414279	Capscrew	2
25	414282	Capscrew	6
26	414842	Capscrew	4
27	414952	Capscrew	2
28	416040	Setscrew	1
29	416059	Setscrew	1
30	416084	Setscrew	1
31	416109	Setscrew	1
32	418177	Lockwasher	8
33	418218	Lockwasher	2
34	431008	Coupling	1
35	438014	Disc-Brake	2
36	442184	Gasket	2
37	442205	Gasket	1
38	450006	Key	2
39	450016	Key	4
40	456006	Lube Fitting	2
41	456008	Relief Fitting	1
42	458050	Motor	1
43	468002	Reducer	1
44	468011	Plug	2

Rev. _____

E-18

Date _____

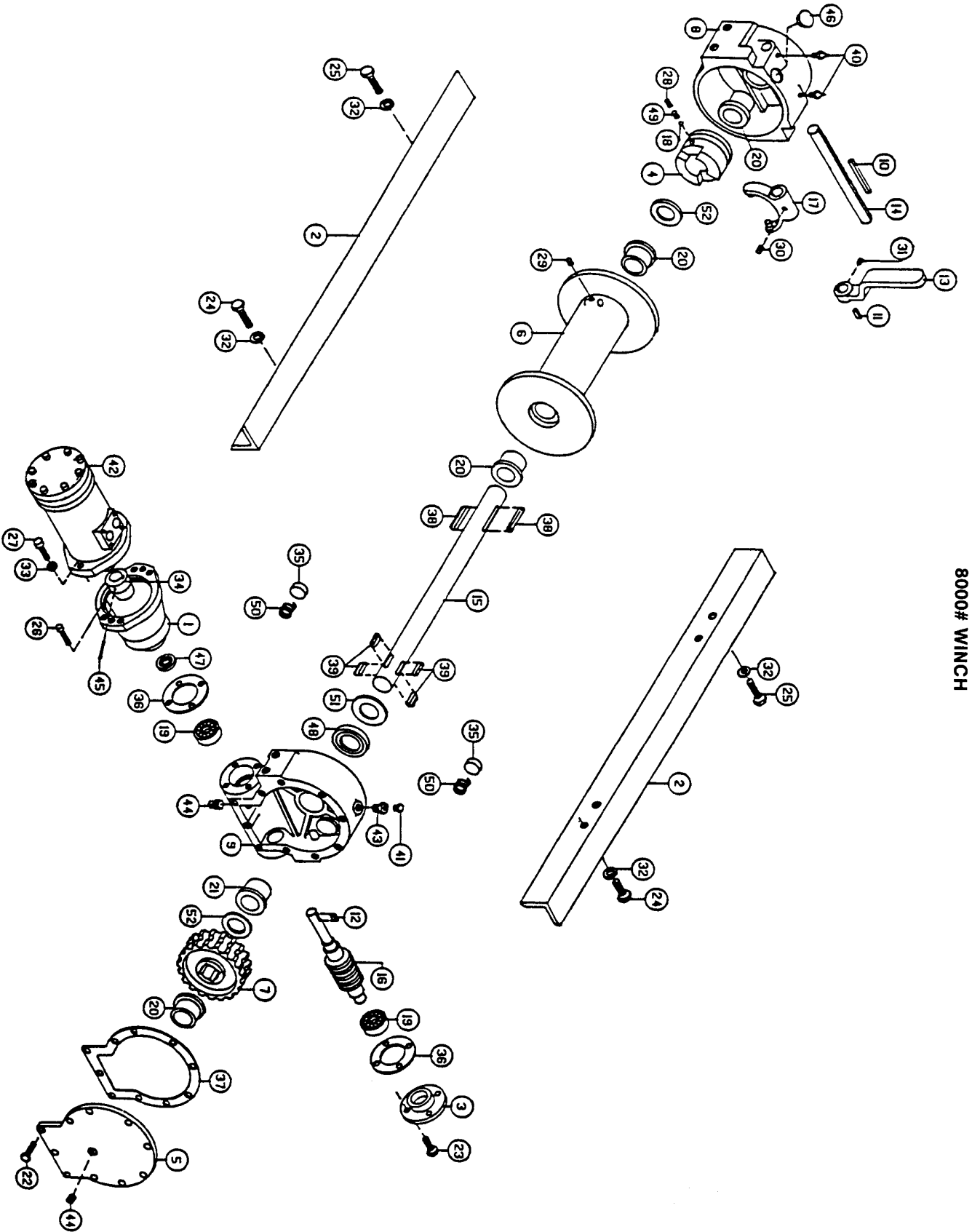
Ref. No.	Part No.	Description	Qty.
45	470033	Spirol Pin	1
46	472013	Plug	1
47	486009	Oil Seal	1
48	486017	Oil Seal	1
49	494001	Spring	1
50	494002	Spring	2
51	518014	Thrust Washer	1
52	518015	Thrust Washer	2

Rev. _____

E-19

Date _____

8000# WINCH



**1210S, 1210D AND 1212D
12-TON WRECKER BOOM
PARTS**

B-KE

E-1

Part Number 5-376-000016
Rev. 1

PARTS LIST — SINGLE WINCH WRECKER BOOM

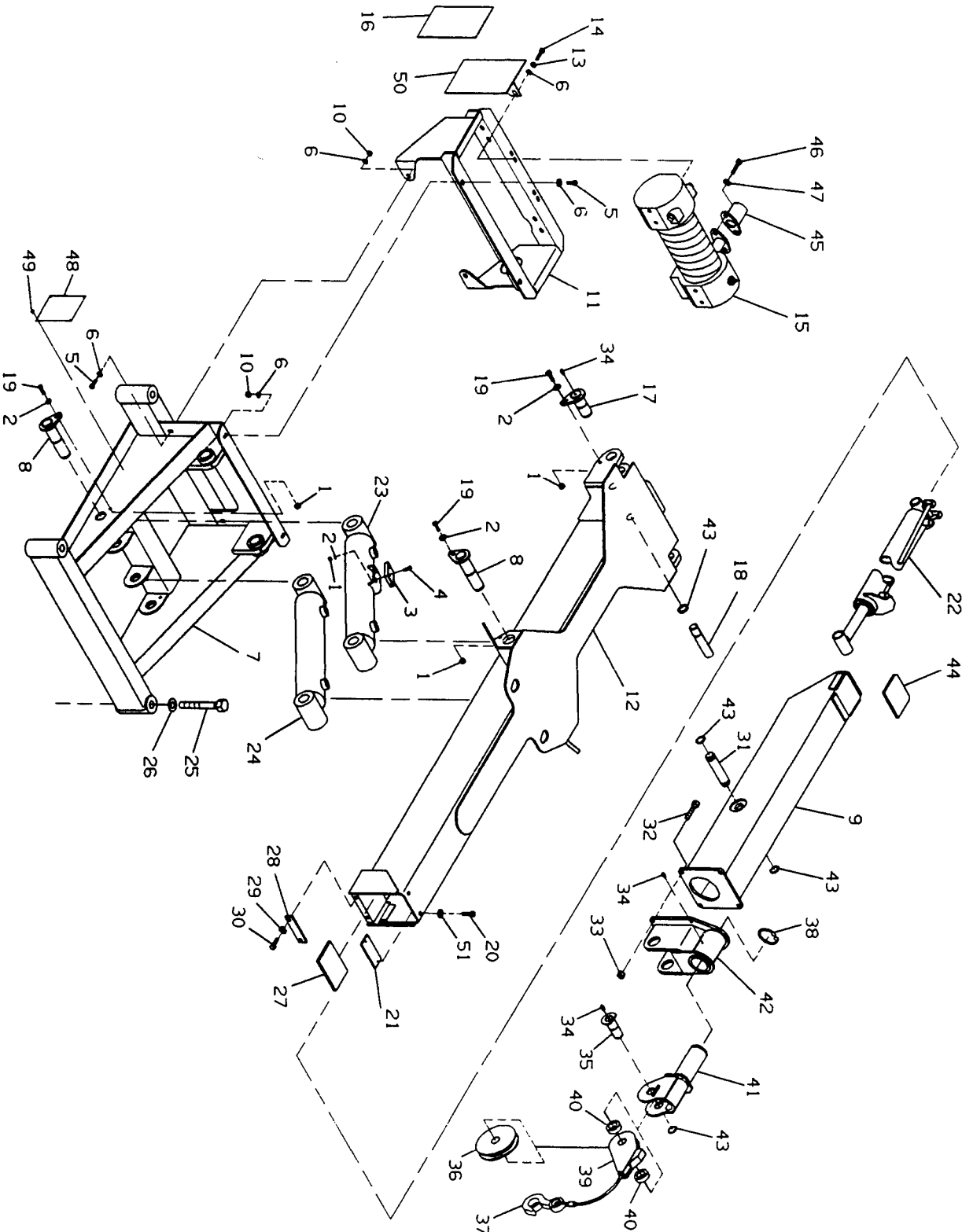
Ref. No.	Part No.	Description	Qty.
1	7660152600	Locknut	8
2	7950150161	Flatwasher	8
3	7935000001	Counterbalance Valve	1
4	7111151650	Capscrew	2
5	7118171250	Capscrew	4
6	7950160959	Flatwasher	20
7	3512100071	Base	1
8	3691000075	Pin	4
9	3512100005	Fly Section	1
10	7660172600	Locknut	4
11	3512100040	Winch Mount	1
12	3512100004	Base Section	1
13	7950170000	Lockwasher	8
14	7115170850	Capscrew	8
15	7970000020	10,000# Winch	1
16	7330000138	Operator's Checklist	1
17	3691000081	Pin	2
18	4691000179	Pin	1
19	7118151250	Capscrew	6
20	7118140418	Capscrew	2
21	4706000067	Plate	1
22	3320000007	Extension Cylinder	1
23	3320000011	Lift Cylinder, L.H.	1
24	3320000012	Lift Cylinder, R.H.	1
25	7115245650	Capscrew	4
26	7950240161	Flatwasher	4
27	4679000005	Wear Pad	1
28	4706000160	Plate	1
29	7950180000	Lockwasher	2
30	7115180850	Capscrew	2
31	4691000133	Pin	1
32	7115181250	Capscrew	4
33	7660182600	Locknut	4
34	7440030000	Grease Fitting	8
35	3691000002	Pin	1
36	7809000001	Sheave	1
37	7248000015	Cable	1
38	7754000005	Retaining Ring	1
39	3510900068	Cable Guide	1
40	4209000019	Bushing	2
41	3512900006	Sheave Support	1
42	3510100058	Boom Nose	1
43	7754000006	Retaining Ring	6
44	4679000004	Wear Pad	1
45	7626000013	Orbit Motor	1
46	7111181250	Capscrew	2
47	7950180400	Lockwasher	2
48	7330000145	Wrecker Boom Placard	1
49	7759000004	Pop Rivet	4
50	4706001255	Decal Mounting Plate	1
51	7950140161	Flatwasher	2

Rev. 1

E-2

Date 6-1-96

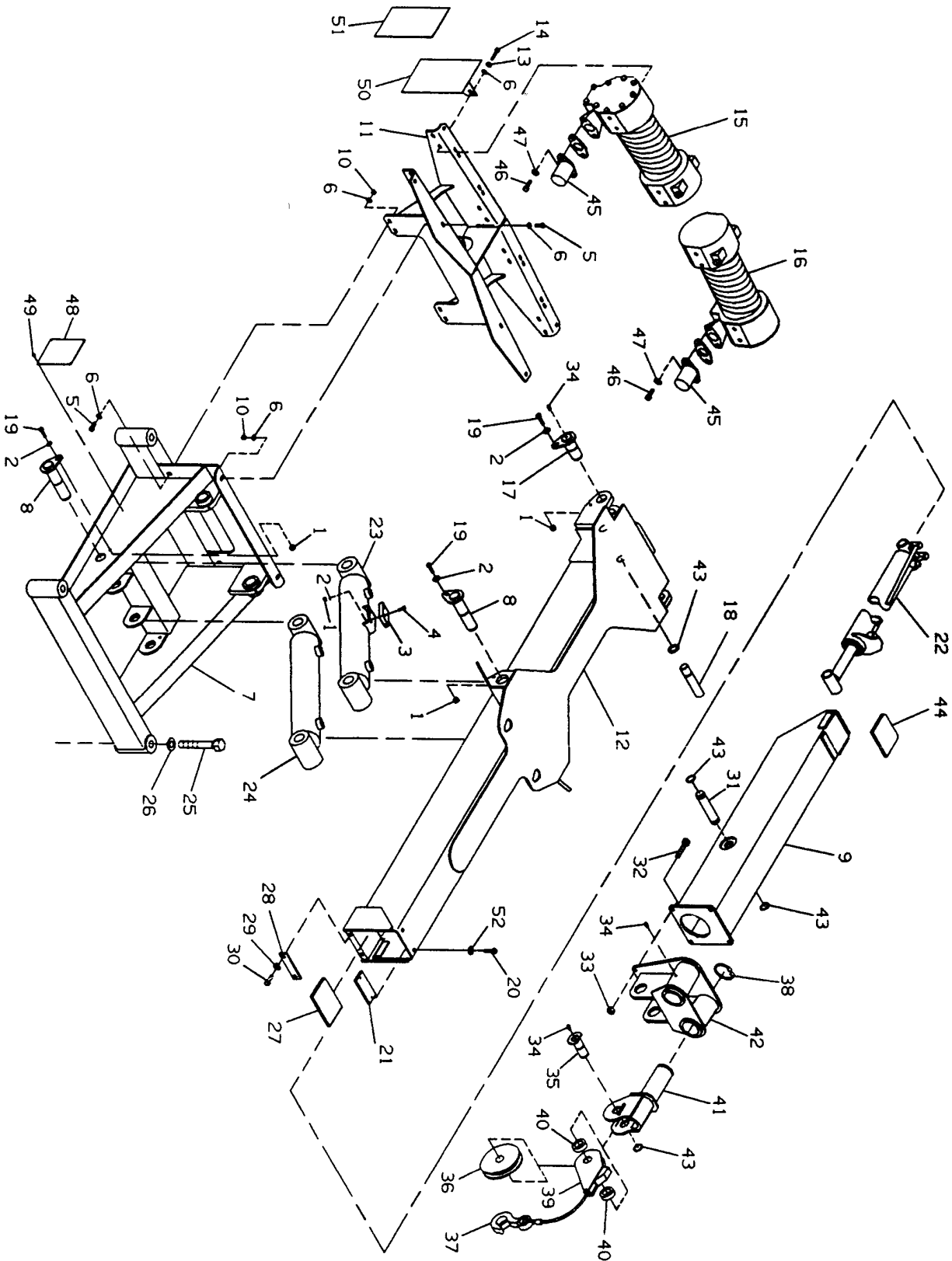
SINGLE WINCH WRECKER BOOM



E-3

Rev. 1
Date 6-1-96

DUAL WINCH WRECKER BOOM



E-4

Rev. 1
Date 6-1-96

PARTS LIST — DUAL WINCH WRECKER BOOM

Ref. No.	Part No.	Description	Qty.	Ref. No.	Part No.	Description	Qty.
1	7660152600	Locknut	8				
2	7950150161	Flatwasher	8	50	4706001255	Decal Mounting Plate	1
3	7935000001	Counterbalance Valve	1	51	7330000138	Operator's Checklist	1
4	7111151650	Capcrew	2	52	7950140161	Flatwasher	2
5	7118171250	Capcrew	6				
6	7950160959	Flatwasher	32				
7	3512100071	Base	1				
8	3691000075	Pin	4				
9	3512100005	Fly Section	1				
10	7660172600	Locknut	6				
11	3512100009	10,000# Winch Mount	1				
12	3512100089	12,000# Winch Mount	1				
13	3512100004	Base Section	1				
14	7950170000	Lockwasher	16				
15	7115171250	Capcrew	2				
16	7970000020	10,000# Winch, L.H.	1				
17	7970000025	12,000# Winch, L.H.	1				
18	7970000012	10,000# Winch, R.H.	1				
19	7970000026	12,000# Winch, R.H.	1				
20	3691000081	Pin	2				
21	4691000179	Pin	1				
22	7118151250	Capcrew	6				
23	7118140418	Capcrew	2				
24	4706000067	Plate	1				
25	3320000007	Extension Cylinder	1				
26	3320000011	Lift Cylinder, L.H.	1				
27	3320000012	Lift Cylinder, R.H.	1				
28	7115245650	Capcrew	4				
29	7950240161	Flatwasher	4				
30	4679000005	Wear Pad	1				
31	4706000160	Plate	1				
32	7950180000	Lockwasher	2				
33	7115180850	Capcrew	2				
34	4691000133	Pin	1				
35	7115181450	Capcrew	4				
36	7660182600	Locknut	4				
37	7440030000	Grease Fitting	10				
38	3691000134	Pin	2				
39	7809000001	Sheave	2				
40	7248000015	Cable	2				
41	7754000018	Retaining Ring	2				
42	3510900068	Cable Guide	2				
43	4209000019	Bushing	4				
44	3502900023	Shave Support	2				
45	3502100024	Boom Nose	1				
46	7754000006	Retaining Ring	6				
47	4679000004	Wear Pad	1				
48	7626000013	Orbit Motor	2				
49	7111181250	Capcrew	4				
	7950180400	Lockwasher	4				
	7330000145	Wrecker Boom Placard	1				
	7759000004	Pop Rivet	4				

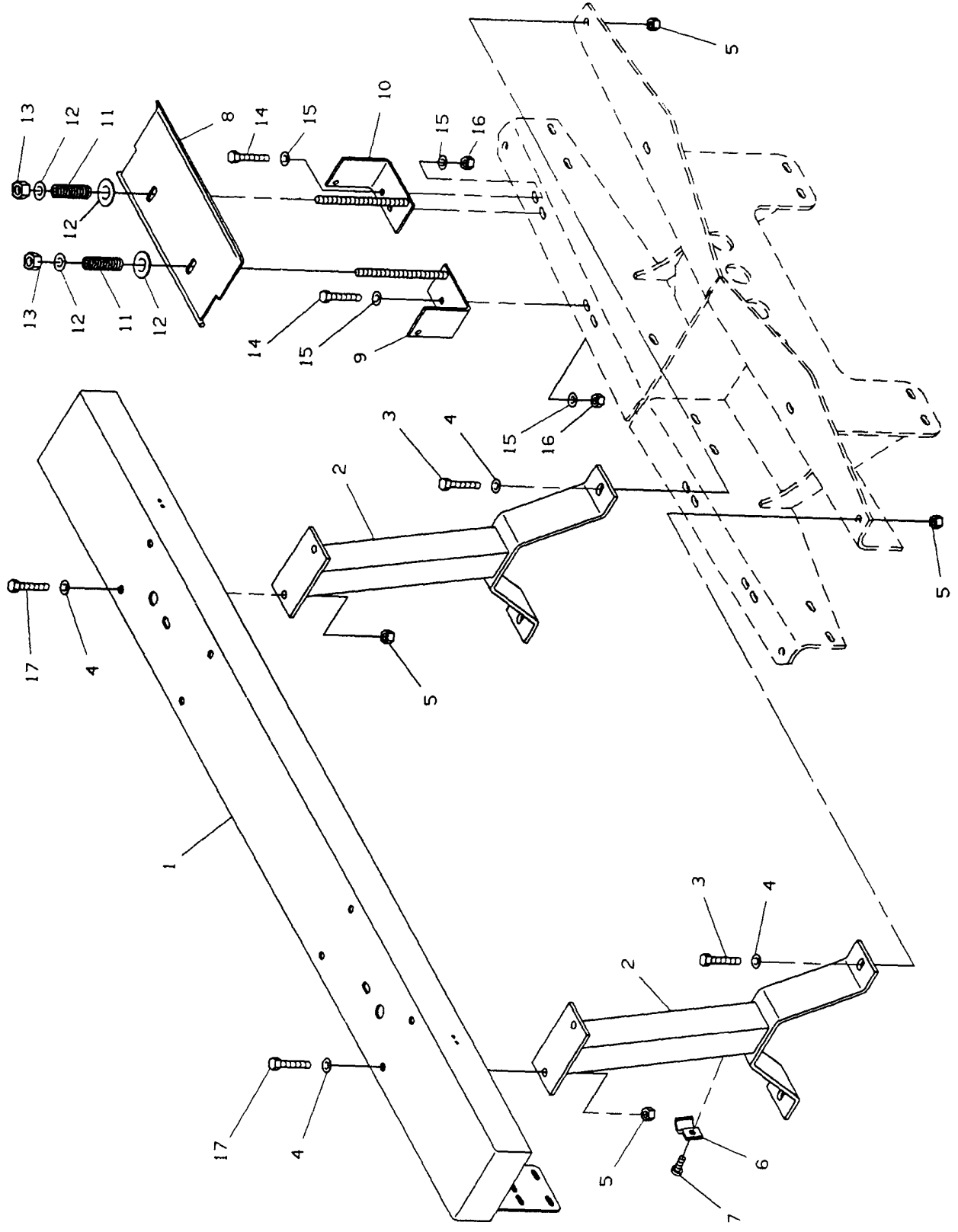
PARTS LIST — LIGHT PYLON AND CABLE TENSIONER

Ref. No.	Part No.	Description	Qty.
1	3263000011	Channel	1
2	3178000060	Mounting Bracket (17")	2
	3178000100	Mounting Bracket (27")	2
3	7115161050	Capscrew	4
4	7950150161	Flatwasher	8
5	7660162601	Locknut	8
6	7280000001	Jiffy Clip	2
7	7790100856	Screw	2
8	3706000008	Pressure Plate	1
9	3017000003	Angle, L.H.	1
10	3017000002	Angle, R.H.	1
11	7843000004	Spring	2
12	7950180161	Flatwasher	4
13	7660182600	Locknut	2
14	7111161050	Capscrew	4
15	7950160161	Flatwasher	8
16	7660162601	Locknut	4
17	7115160850	Capscrew	4

Rev. 1

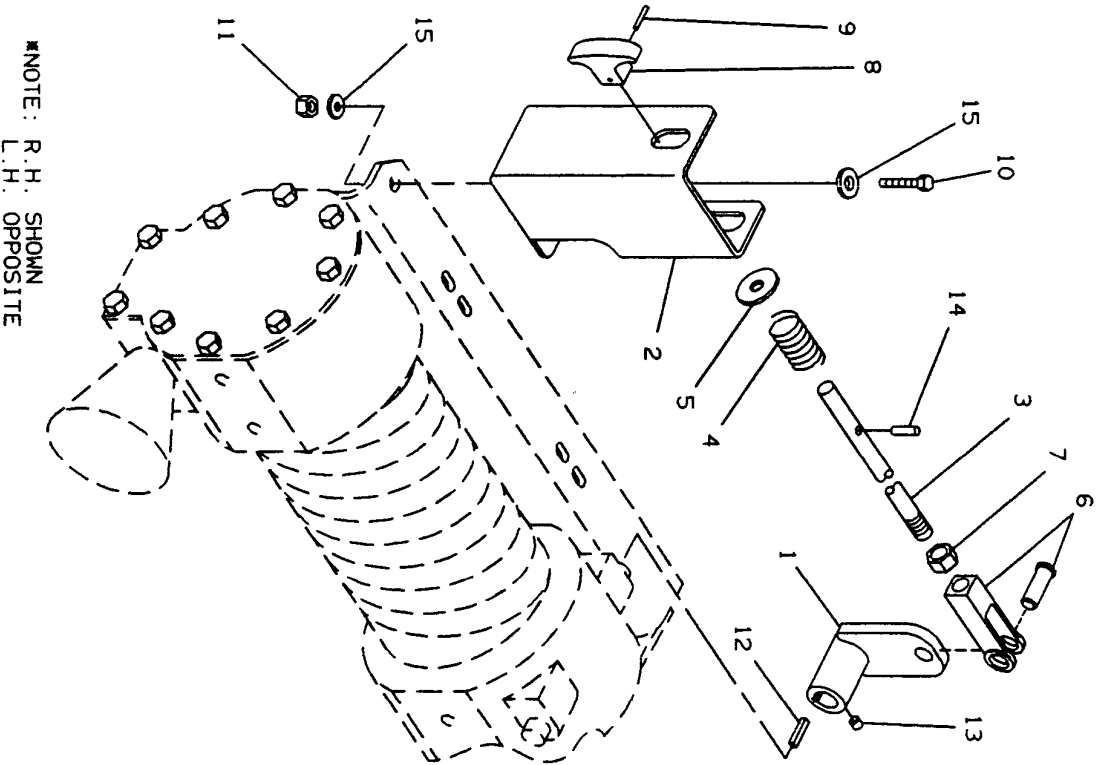
Date 6-1-96

LIGHT PYLON AND CABLE TENSIONER



Rev. 1
Date 6-1-96

REMOTE FREE SPOOL



NOTE: R.H. SHOWN
L.H. OPPOSITE

PARTS LIST — REMOTE FREE SPOOL

Ref. No.	Part No.	Description	Qty.
1	3587000007	Lever	1
2	4178000167	Bracket, R.H.	1
	4178000166	Bracket, L.H.	1
3	3587000008	Shaft	1
4	7843000010	Compression Spring	1
5	7950180161	Flatwasher	1
6	7308000013	Yoke and Clevis	1
7	7660180030	Hexnut	1
8	4551000005	Handle	1
9	7690051640	Spring Pin	1
10	7115161250	Capscrew	1
11	7660160000	Hexnut	1
12	4575060600	Keystock	1
13	9785960003	Set Screw	1
14	7690102045	Spring Pin	1
15	7950160162	Flatwasher	2

Rev. 1

E-9

Date 6-1-96

**PARTS LIST — WRECKER BOOM EXTENSION CYLINDER
332000007**

Ref. No.	Part No.	Description	Qty.
1	3763000040	Cylinder Rod	1
2	7660262031	Locknut	1
3	7754000003*	Piston Wear Ring	2
4	7796000006*	Piston Seal	1
5	4698000007	Piston	1
6	7755224609*	Backup Ring	2
7	7755224000*	O-Ring	1
8	7754000002	Retaining Ring	1
9	7754000004*	Wear Ring	1
10	7796000024*	Rod Seal	1
11	7755334000*	O-Ring	1
12	7755334609*	Backup Ring	1
13	4553000008*	Head	1
14	7796000008*	Rod Wiper Seal	1
15	7754000026	Retaining Ring	1
16	3071000007	Barrel	1

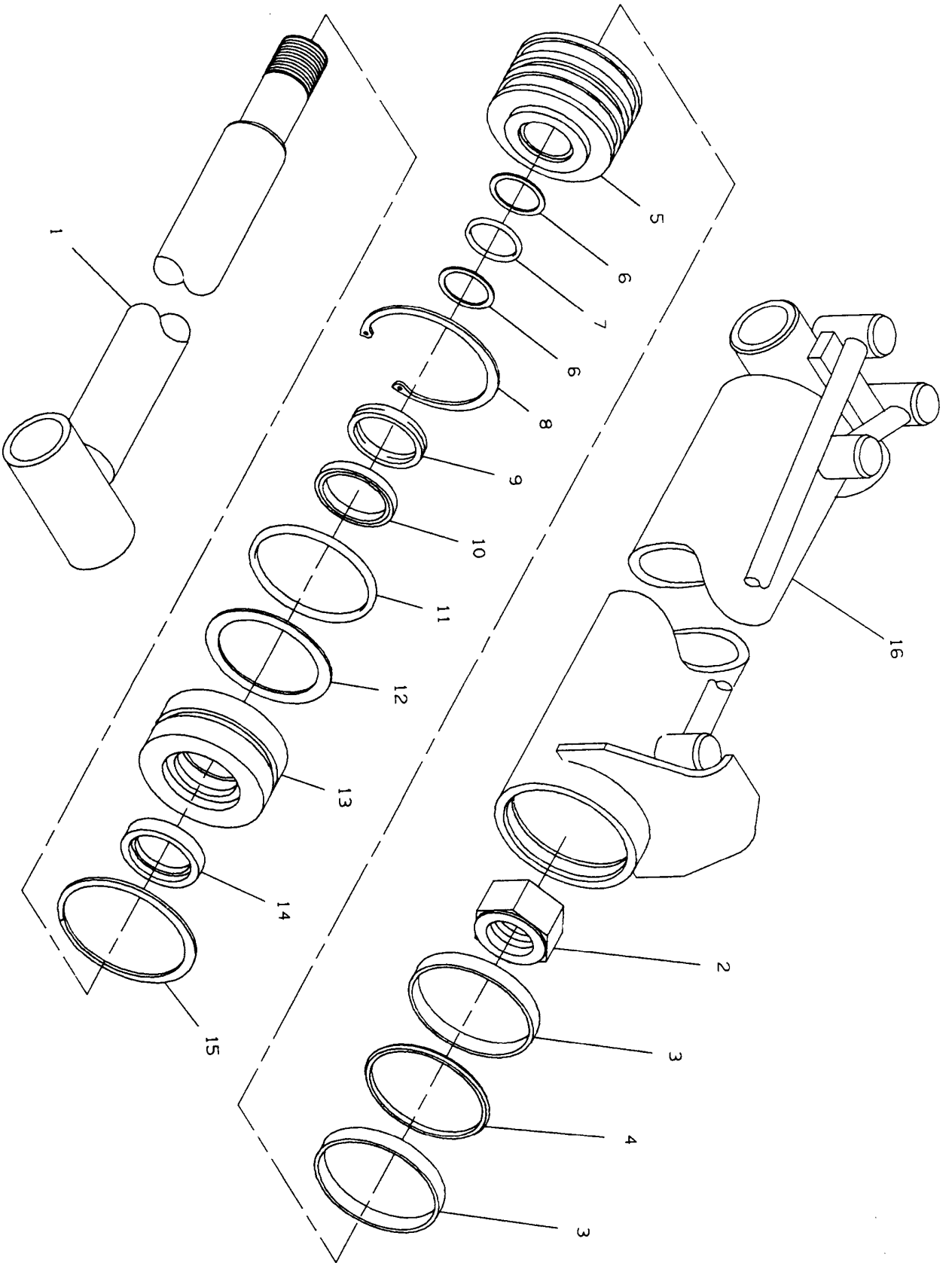
* - Available Only in Service Kit No. 7577250024

Rev. 1

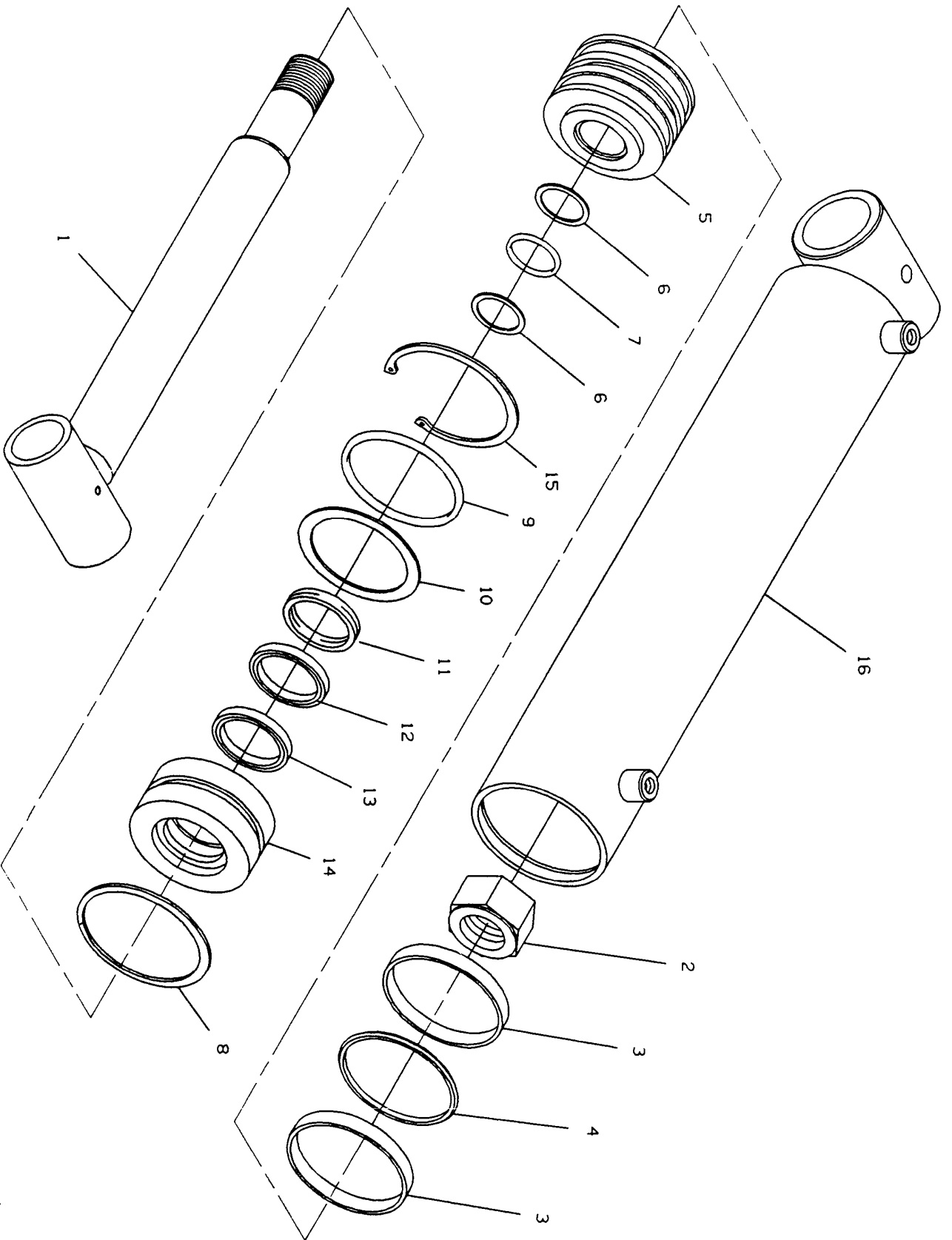
E-10

Date 6-1-96

WRECKER BOOM EXTENSION CYLINDER
3320000007



R.H. WRECKER BOOM LIFT CYLINDER
3320000012



E-12

Rev. 1
Date 6-1-96

**PARTS LIST — R.H. WRECKER BOOM LIFT CYLINDER
332000012**

Ref. No.	Part No.	Description	Qty.
1	3763000041	Cylinder Rod	1
2	7660342031	Locknut	1
3	7754000011*	Wear Ring	2
4	7796000009*	Piston Seal	1
5	4698000008	Piston	1
6	7755226609*	Backup Ring	2
7	7755226000*	O-Ring	1
8	7754000028	Retaining Ring	1
9	7755342000*	O-Ring	1
10	7755342609*	Backup Ring	1
11	7754000012*	Wear Ring	1
12	7796000025*	Rod Seal	1
13	7796000011*	Rod Wiper Seal	1
14	4553000009	Head	1
15	7754000013	Retaining Ring	1
16	3071000012	Barrel, L.H.	1

* - Available Only in Service Kit No. 7577250026

Rev. _____

E-13

Date _____

**PARTS LIST — L.H. WRECKER BOOM LIFT CYLINDER
332000011**

Ref. No.	Part No.	Description	Qty.
1	3763000041	Cylinder Rod	1
2	7660341631	Locknut	1
3	7754000011*	Wear Ring	2
4	7796000009*	Piston Seal	1
5	4698000008	Piston	1
6	7755226609*	Backup Ring	2
7	7755226000*	O-Ring	1
8	7754000028	Retaining Ring	1
9	7755342000*	O-Ring	1
10	7755342609*	Backup Ring	1
11	7754000012*	Wear Ring	1
12	7796000025*	Rod Seal	1
13	7796000011*	Rod Wiper Seal	1
14	4553000009	Head	1
15	7754000013	Retaining Ring	1
16	3071000011	Barrel, L.H.	1

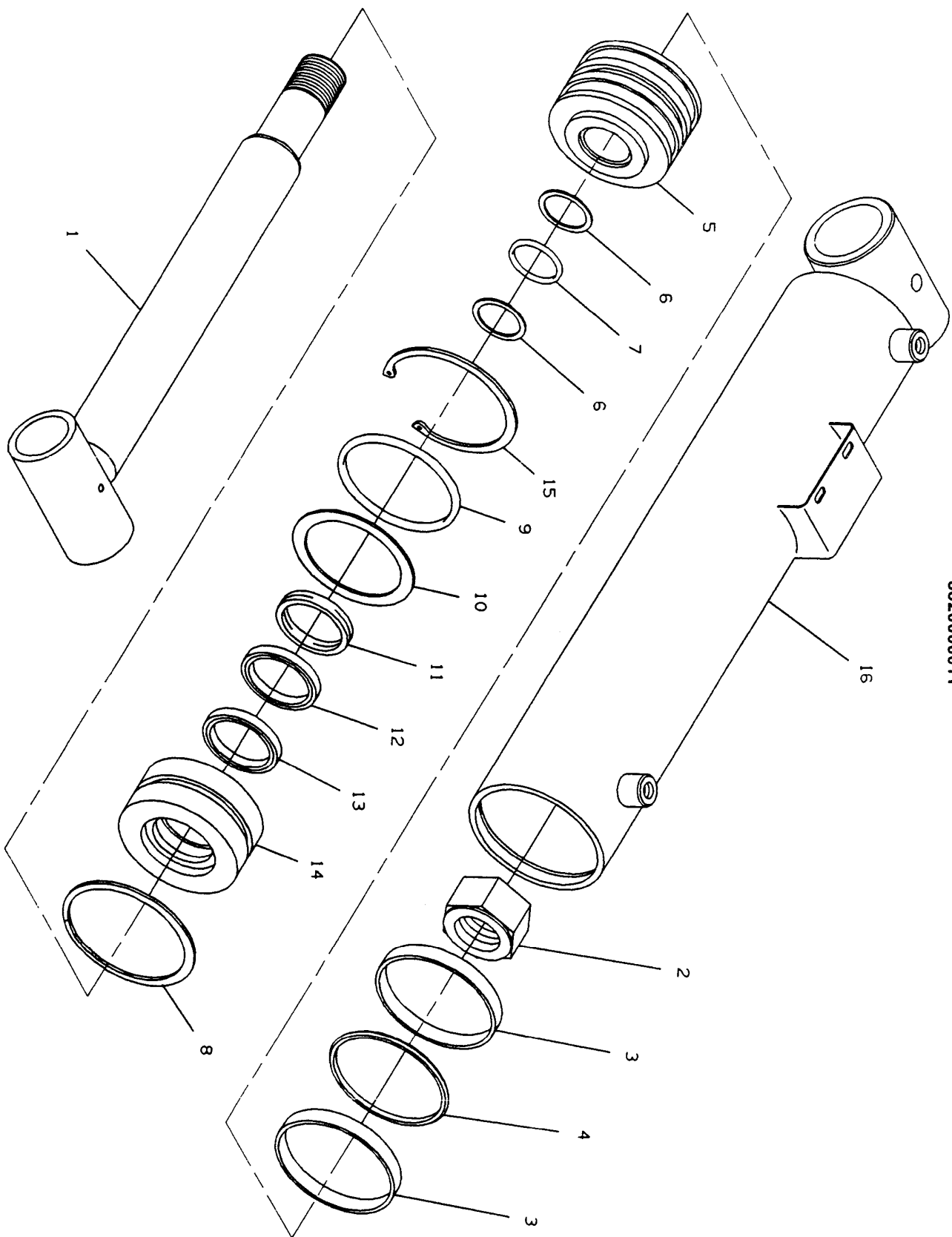
* - Available Only in Service Kit No. 7577250026

Rev. _____

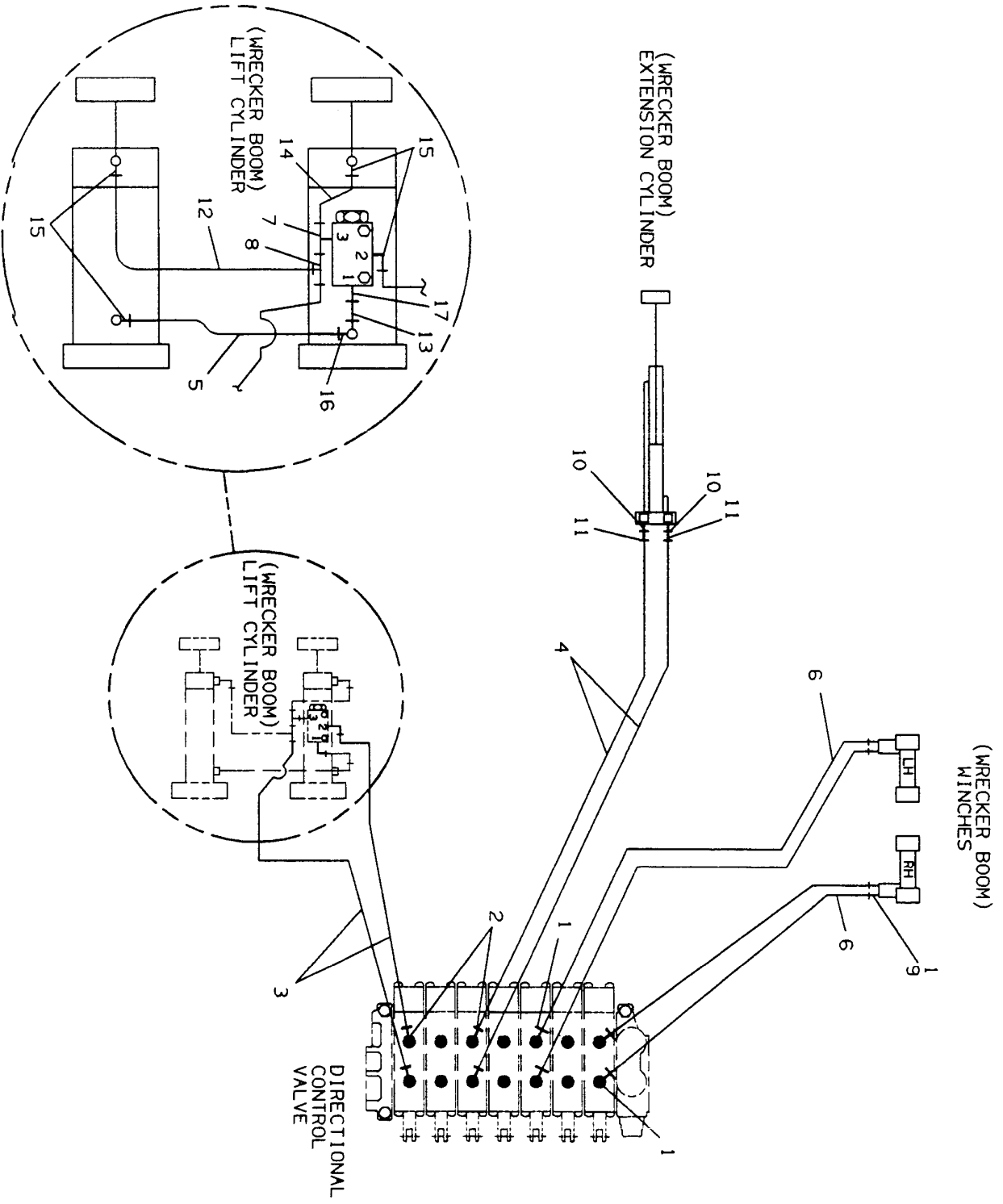
E-14

Date _____

L.H. WRECKER BOOM LIFT CYLINDER
3320000011



HYDRAULIC COMPONENTS



PARTS LIST — HYDRAULIC COMPONENTS

Ref. No.	Part No.	Description	Qty.
1	7445081043 (A)	Adapter	4
	7445081043 (B)	Adapter	8
2	7445061043	Adapter	4
3	4567322064	Hose	2
4	4567122055	Hose	2
5	7912000002	Tube	1
6	4567332075 (A)	Hose	2
	4567332075 (B)	Hose	4
7	7445060647	Tee	1
8	7443000030	Tee	1
9	7443000023 (A)	Elbow - 90°	2
	7443000023 (B)	Elbow - 90°	4
10	7445060643	Adapter	2
11	7445060672	Elbow - 90°	2
12	4567222022	Hose	1
13	7912000001	Tube	1
14	4570000008	Hose	1
15	7445060645	Elbow - 90°	4
16	7445060648	Tee	1
17	7445060646	Elbow - 45°	1

A - Application with Single Winch Wrecker Boom

B - Application with Dual Winch Wrecker Boom

Rev. 1

E-17

Date 6-1-96

PARTS LIST — 10,000# WINCH

Ref. No.	Part No.	Description	Qty.
1	300062	Adapter	1
2	302956	Angle	2
3	308046	Bushing	1
4	308048	Bushing	2
5	316004	Bearing Cap	1
6	324163	Jaw Clutch	1
7	328010	Cover	1
8	330010	Drag Brake Shoe	2
9	332139	Drum	1
10	334016	Gear, R.H.	1
11	338009	Clutch Housing	1
12	338269	Gear Housing	1
13	342024	Key	1
14	342034	Key	1
15	342120	Key	2
16	450017	Key	2
17	356702	Drum Shaft	1
18	356902	Drum Shaft	1
19	358052	Shifter Handle	1
20	368007	Drum Spacer	1
21	368183	Worm, R.H.	1
22	370003	Yoke	1
23	400003	Poppet Ball	1
24	402044	Ball Bearing	1
25	412107	Thrust Bearing	1
26	412005	Bushing	1
27	412006	Bushing	1
28	414139	Capscrew	6
29	414140	Capscrew	8
30	414457	Capscrew	4
31	414481	Capscrew	4
32	414887	Capscrew	6
33	414952	Capscrew	2
34	416971	Poppet Screw	1
35	416059	Setscrew	1
36	416109	Setscrew	1
37	416112	Setscrew	1
38	418163	Lockwasher	6
39	418198	Lockwasher	8
40	418218	Lockwasher	2
41	442182	Bearing Cap Gasket	2
42	442183	Gear Housing Cover Gasket	1
43	456006	Fitting	2
44	456008	Relief Fitting	1
45	458025	Motor	1
46	462003	Ring Quad	2
47	468002	Reducer	1
48	468010	Pipe Plug	1
49	468011	Pipe Plug	1
50	486079	Pilot Seal	1
51	494005	Spring	1

Rev. _____

E-18

Date _____

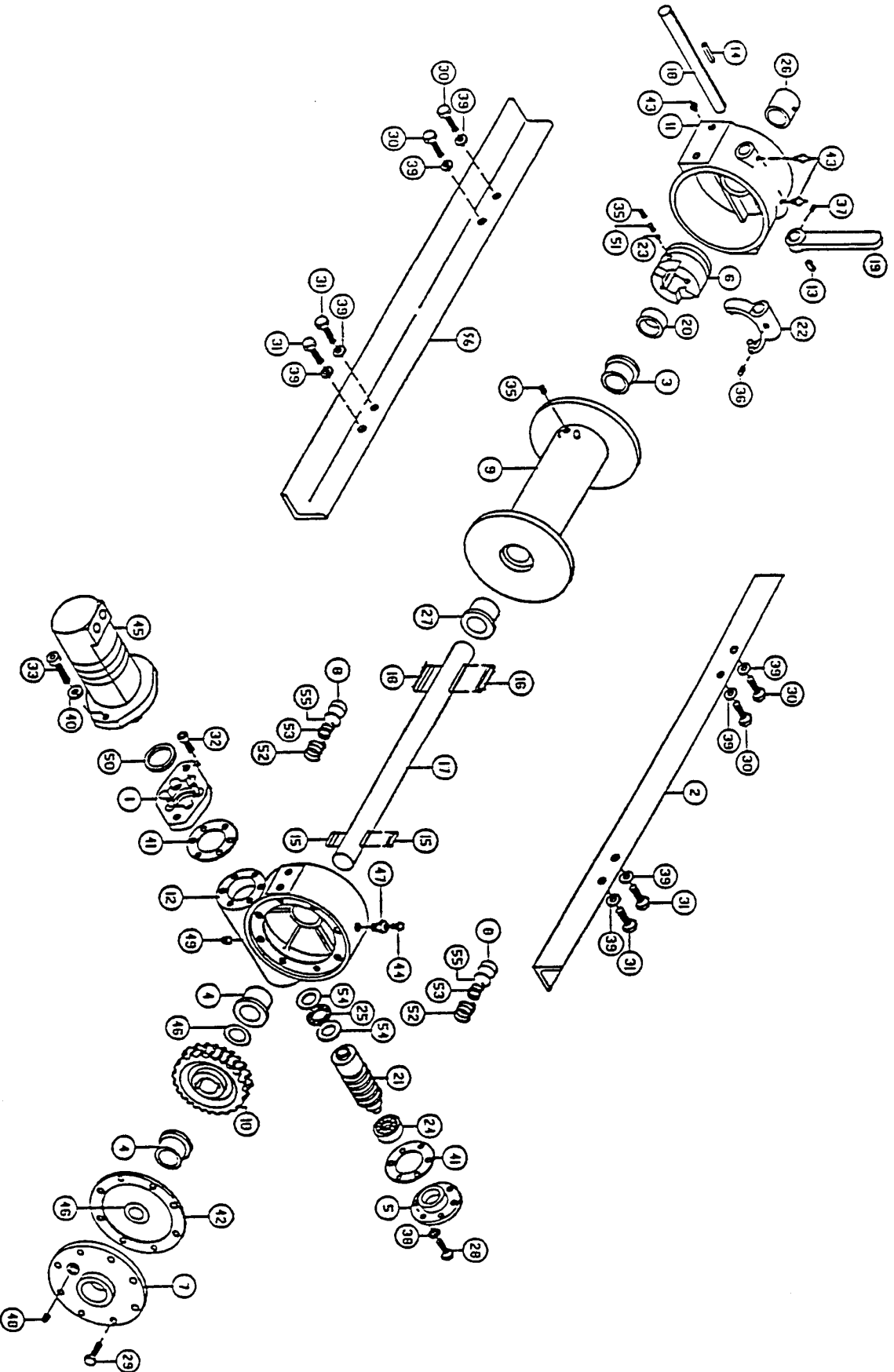
Ref. No.	Part No.	Description	Qty.
52	494088	Drag Brake Spring	2
53	494089	Drag Brake Spring	2
54	518026	Thrust Washer	2
55	530094	Drag Brake Spacer	2
56	302955	Angle	1

Rev. _____

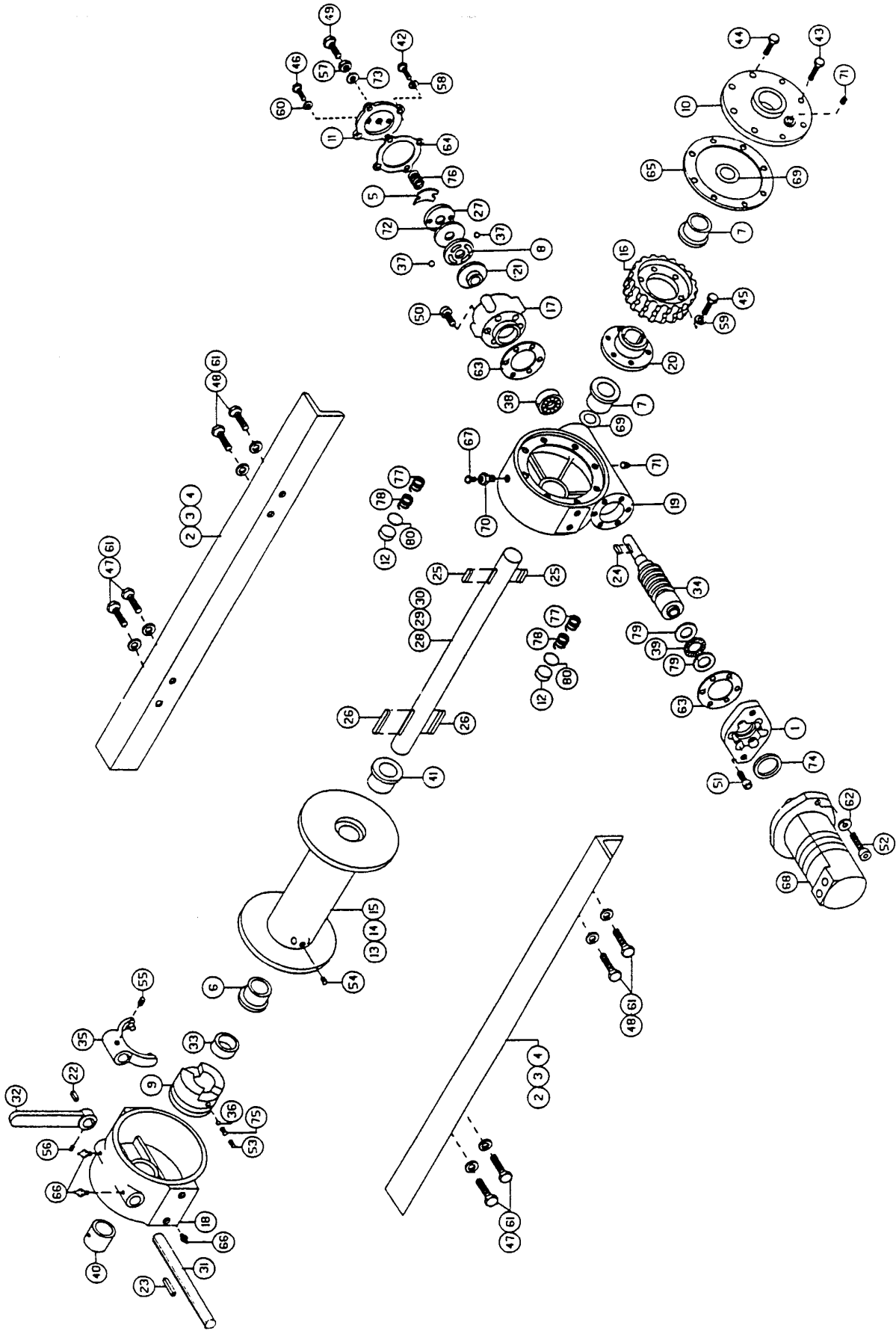
E-19

Date _____

10,000# WINCH



12,000# WINCH



Rev. 1
Date 6-1-96

PARTS LIST — 12,000# WINCH

Ref. No.	Part No.	Description	Qty.
1	300062	Adapter	1
2	302229	Angle - 600	2
3	202380	Angle - Y600	2
4	302417	Angle - X600	2
5	306036	Spring, Flat	1
6	308046	Bushing	1
7	308048	Bushing	2
8	314003	Plate, Cam	1
9	324163	Clutch, Jaw	1
10	328046	Cover, G. Hsg.	1
11	328057	Cover, Brake	1
12	330010	Shoe, Drag Brake	2
13	332074	Drum - Y600	1
14	332140	Drum - 600	1
15	332141	Drum - X600	1
16	334050	Gear, R.H.	1
17	338038	Housing, Brake	1
18	338040	Housing, Clutch	1
19	338270	Housing, Gear	1
20	340014	Hub, Gear	1
21	340024	Hub, Brake	1
22	342024	Key, Sq. End	1
23	342032	Key, Sq. End	1
24	342051	Key, Rd. End	1
25	342120	Key, Rd. End	2
26	450017	Key, Barth	2
27	352020	Plate, Retainer	1
28	356806	Shaft, Drum - X600	1
29	357466	Shaft, Drum - 600	1
30	357468	Shaft, Drum - Y600	1
31	356945	Shaft, Shifter	1
32	358001	Shifter, Handle	1
33	362007	Spacer, Drum	1
34	368195	Worm, R.H.	1
35	370003	Yoke	1
36	400003	Ball, Poppet	1
37	400007	Ball	2
38	402044	Bearing, Ball	1
39	402107	Bearing, Thrust	1
40	412005	Bushing	1
41	412006	Bushing	1
42	414111	Capscrew	4
43	414140	Capscrew	1
44	414141	Capscrew	7
45	414283	Capscrew	6
46	414398	Capscrew	2
47	414457	Capscrew	4
48	414481	Capscrew	4
49	414603	Capscrew	1
50	414865	Capscrew	6

Rev. 1

E-23

Date 6-1-96

Ref. No.	Part No.	Description	Qty.
51	414887	Capscrew	6
52	414952	Capscrew	2
53	414971	Screw, Poppet	1
54	416059	Setscrew	1
55	416109	Setscrew	1
56	416112	Setscrew	1
57	418067	Nut, Jam	1
58	418163	Lockwasher	4
59	418176	Lockwasher	6
60	418184	Washer, Flat	2
61	418198	Lockwasher	8
62	418218	Lockwasher	2
63	442182	Gasket	2
64	442190	Gasket	1
65	442191	Gasket	1
66	456006	Fitting, Lube	3
67	456008	Fitting, Relief	1
68	458024	Motor, Hyd.	1
69	462003	Quad, Ring	2
70	468002	Reducer	1
71	468011	Plug, Pipe	2
72	474004	Plate	1
73	486076	Thread Seal	1
74	486079	Seal, Pilot	1
75	494005	Spring	1
76	494010	Spring	1
77	494088	Spring	2
78	494089	Spring	2
79	518026	Washer Thrust	2
80	530094	Spacer, Drag Brake	2

Rev. 1

E-24

Date 6-1-96

**8DMRW
DECK MOUNTED RECOVERY WINCH
PARTS**

B-KE

E-1

Part Number 5-376-000017
Rev. 1

PARTS LIST — DECK MOUNTED RECOVERY WINCH

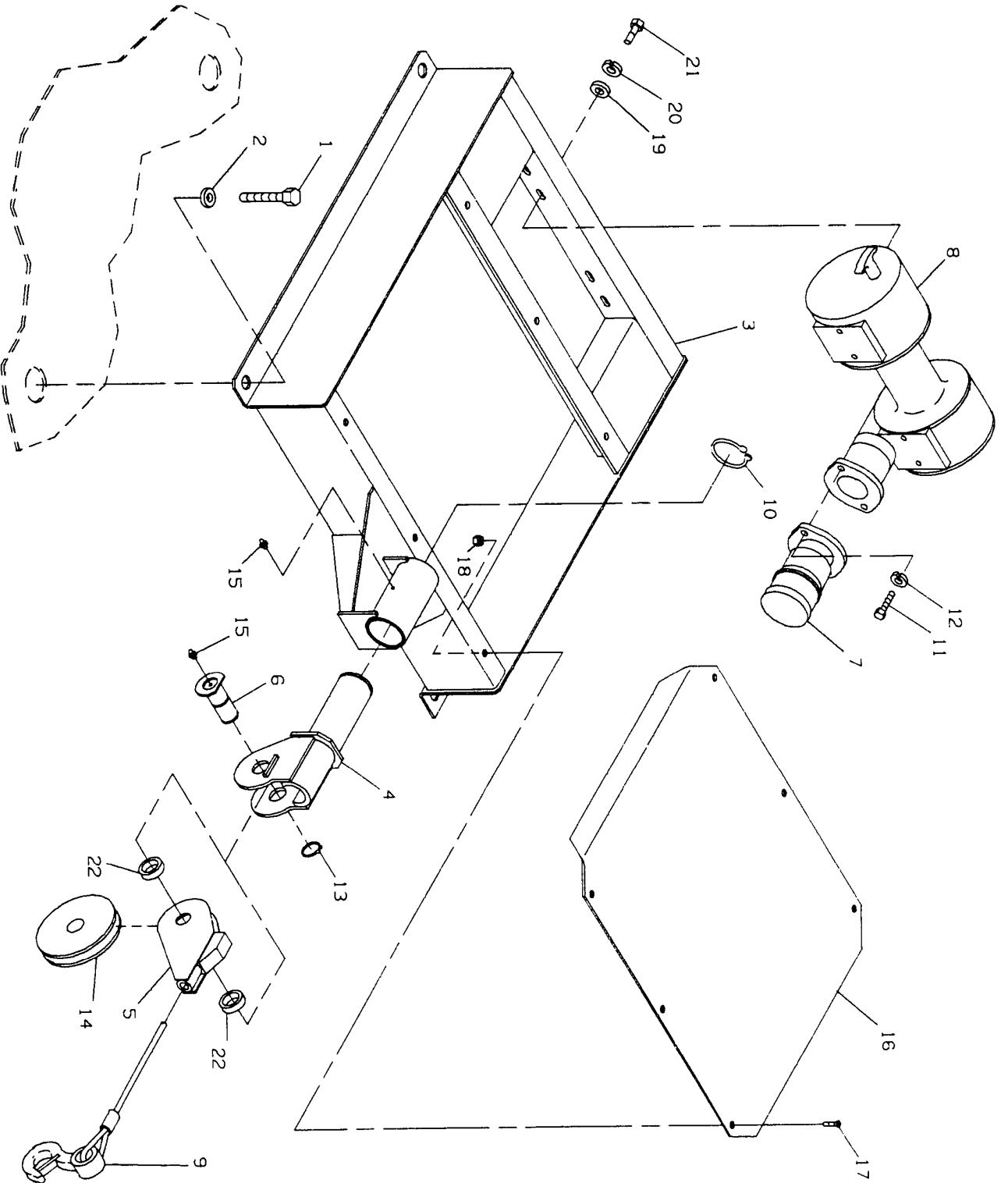
Ref. No.	Part No.	Description	Qty.
1	7115241250	Capscrew	4
2	7950240000	Lockwasher	4
3	3502900010	Winch Mount	1
4	3512900006	Sheave Support	1
5	3510900068	Cable Guide	1
6	3691000002	Pin	1
7	7626000008	Orbit Motor	1
8	7970000002	8,000# Winch	1
9	7248000001	Cable	1
10	7754000005	Retaining Ring	1
11	7111181050	Capscrew	2
12	7950180400	Lockwasher	2
13	7754000006	Retaining Ring	1
14	7809000001	Wire Rope Sheave	1
15	7440030000	Grease Fitting	2
16	4314000004	Cover Plate	1
17	7114140823	Capscrew	6
18	7661000006	Well Nut	6
19	7950160161	Washer	8
20	7950160000	Lockwasher	8
21	7115160850	Capscrew	8
22	4209000019	Bushing	2

Rev. _____

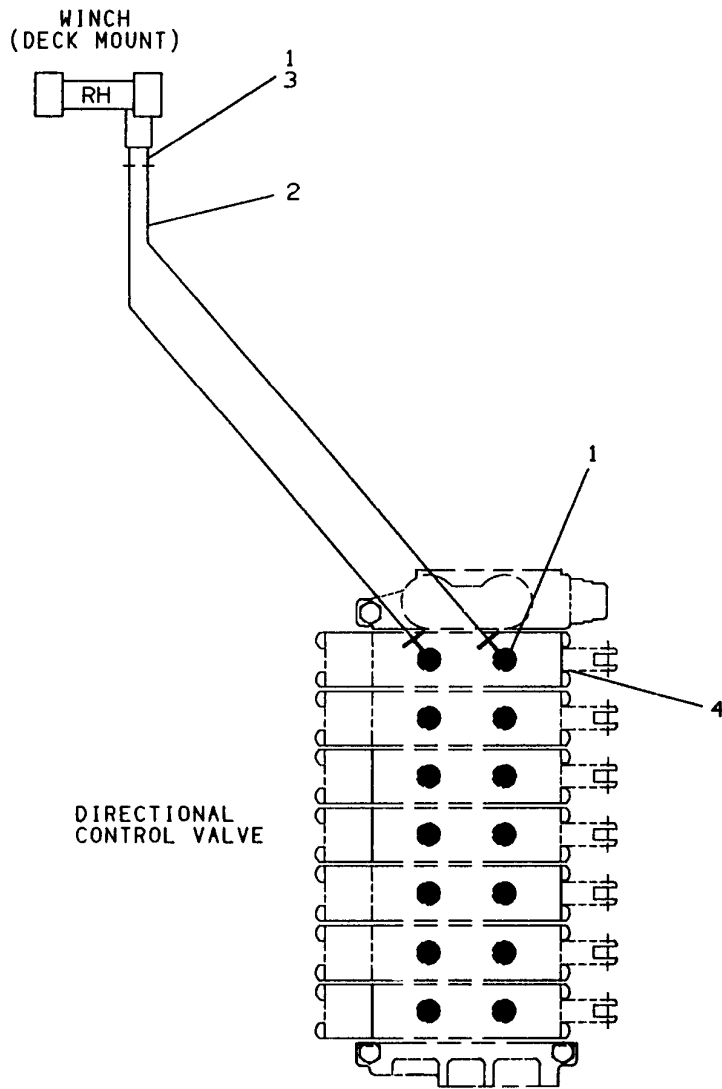
E-2

Date _____

DECK MOUNTED RECOVERY WINCH



HYDRAULIC COMPONENTS



Ref. No.	Part No.	Description	Qty.
1	7445081043	Adapter	4
2	4567332075	Hose	2
3	7443000023	Elbow	2
4	7935000076	Valve Relief Cartridge	1

Rev. 1

E-5

Date 6-1-96

PARTS LIST — 8,000# WINCH

Ref. No.	Part No.	Description	Qty.
1	276028	Shift	1
2	300057	Adapter	1
3	302809	Angle	2
	302810	Angle	2
4	316083	Bearing Cap	1
5	324160	Jaw Clutch	1
6	328134	Cover	1
7	332007	Drum	1
	332105	Drum	
8	334161	Gear R.H.	1
	334163	Gear R.H.	1
	334165	Gear R.H.	1
9	336010	Handle	1
10	338208	Clutch Housing	1
11	338273	Gear Housing	1
12	342027	Key	1
13	357479	Drum Shaft	1
	357481	Drum Shaft	1
14	368002	Worm R.H.	1
	368007	Worm R.H.	1
	368011	Worm R.H.	1
15	402002	Ball Bearing	2
16	412003	Bushing	4
17	412045	Bushing	1
18	414038	Capscrew	10
19	414045	Capscrew	4
20	414279	Capscrew	2
21	414282	Capscrew	6
22	414842	Capscrew	4
23	414952	Capscrew	2
24	416030	Setscrew	1
25	416059	Setscrew	1
26	418177	Lockwasher	8
27	418218	Lockwasher	2
28	431008	Coupling	1
29	438014	Brake Disc	1
30	442184	Gasket	2
31	442205	Gasket	1
32	450006	Key	2
33	450016	Key	4
34	456001	Lube Fitting	2
35	456008	Relief Fitting	1
36	458050	Hydraulic Motor	1
37	468002	Reducer	1
38	468011	Pipe Plug	2
39	470033	Spirol Pin	1
40	472012	Plug	1
41	472013	Plug	1
42	486009	Oil Seal	1
43	486017	Oil Seal	1
44	494002	Spring	2

Rev. _____

E-6

Date _____

PARTS LIST — 8,000# WINCH

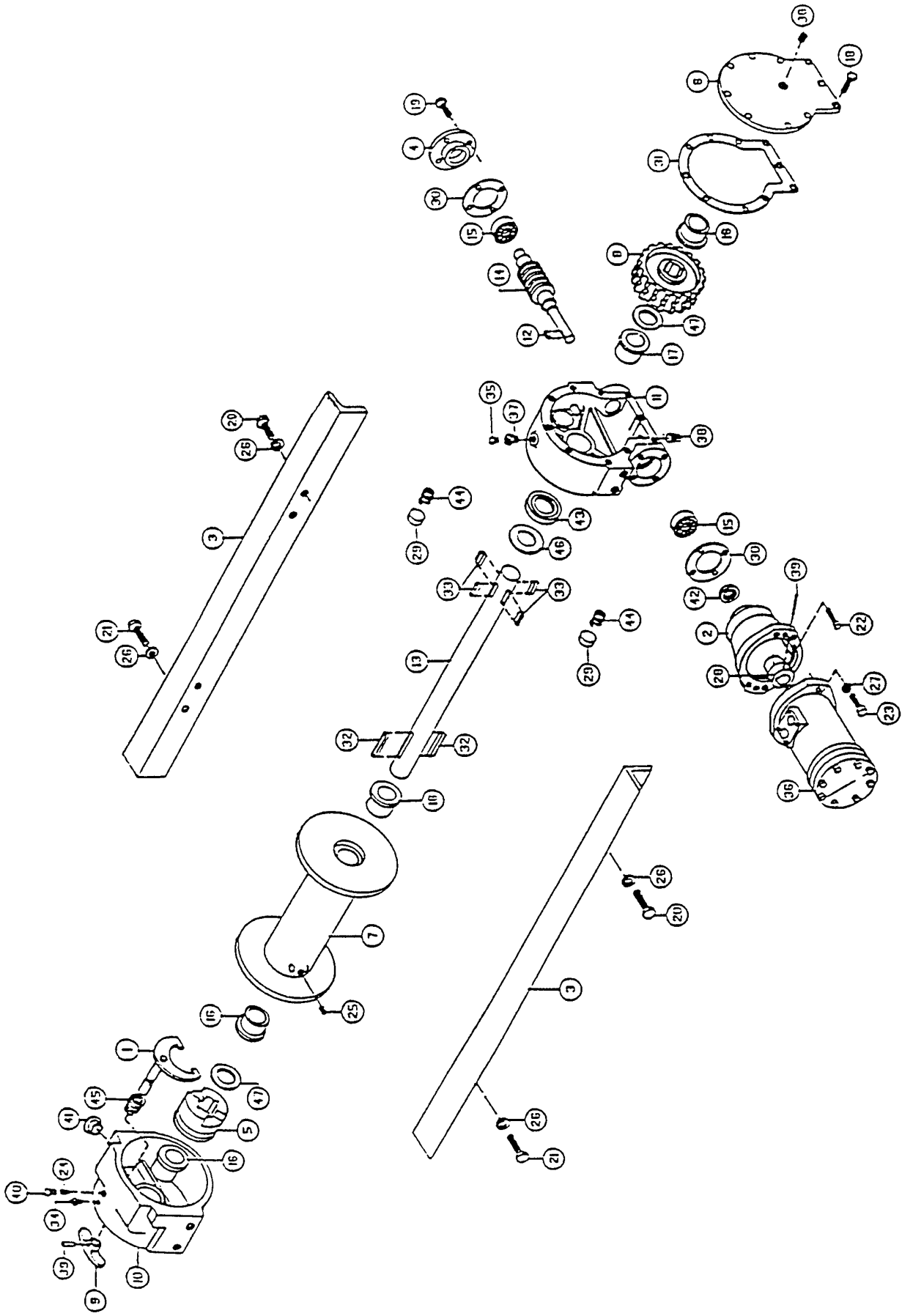
Ref. No.	Part No.	Description	Qty.
45	494053	Spring	1
46	518014	Thrust Washer	1
47	518015	Thrust Washer	2

E-7

Rev. _____

Date _____

8,000# WINCH



Rev. _____
Date _____

PARTS LIST — LIGHT DUTY TOW SLING

Ref. No.	Part No.	Description	Qty.
1	7804000001(A)	Anchor Shackle	1
	7804000001(B)	Anchor Shackle	2
2	4706000727	Anchor Plate	1
3	3017000008	Anchor Angle	1
4	7822000003	Cable Sling Belt	2
5	3500800031	Tow Sling Head	1
6	4706000726	Plate	2
7	7115161250	Capscrew	6
8	7660162601	Locknut	12
9	7118163250	Capscrew	6
10	7440030000	Grease Fitting	7
11	7105223050	Bolt	2
12	7661000017	Locknut	4
13	3020000006	Hold Back Bar, RH	1
14	3020000007	Hold Back Bar, LH	1
15	7105222650	Capscrew	2
16	3309000007	U-Joint	2
17	7679000010	Rubber Pad	2
18	7115223806	Capscrew	2
19	7660202601	Locknut	2
20	7790101276	Screw	4

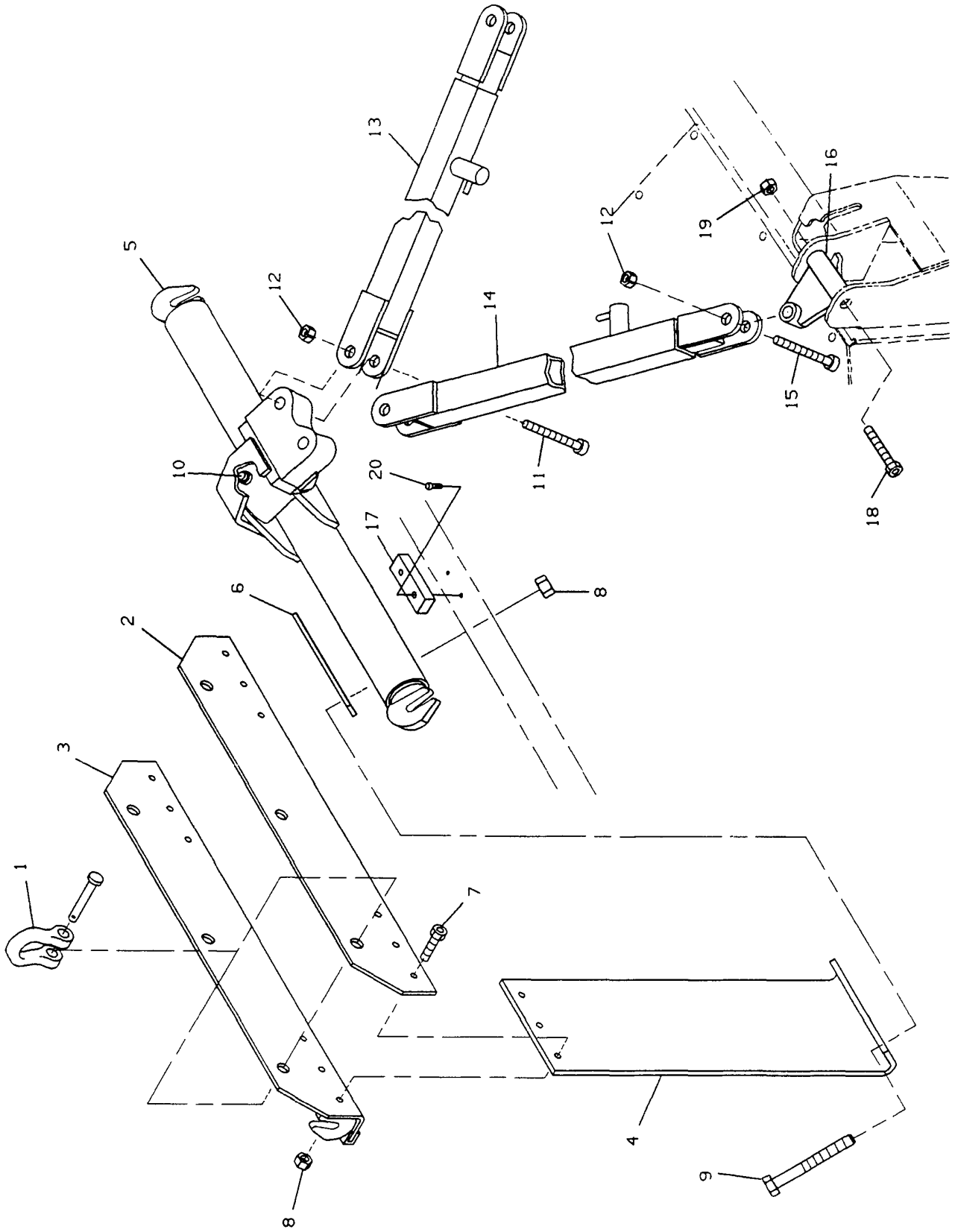
A - Application with Single Winch Wrecker Boom
B - Application with Dual Winch Wrecker Boom

Rev. 1

F-2

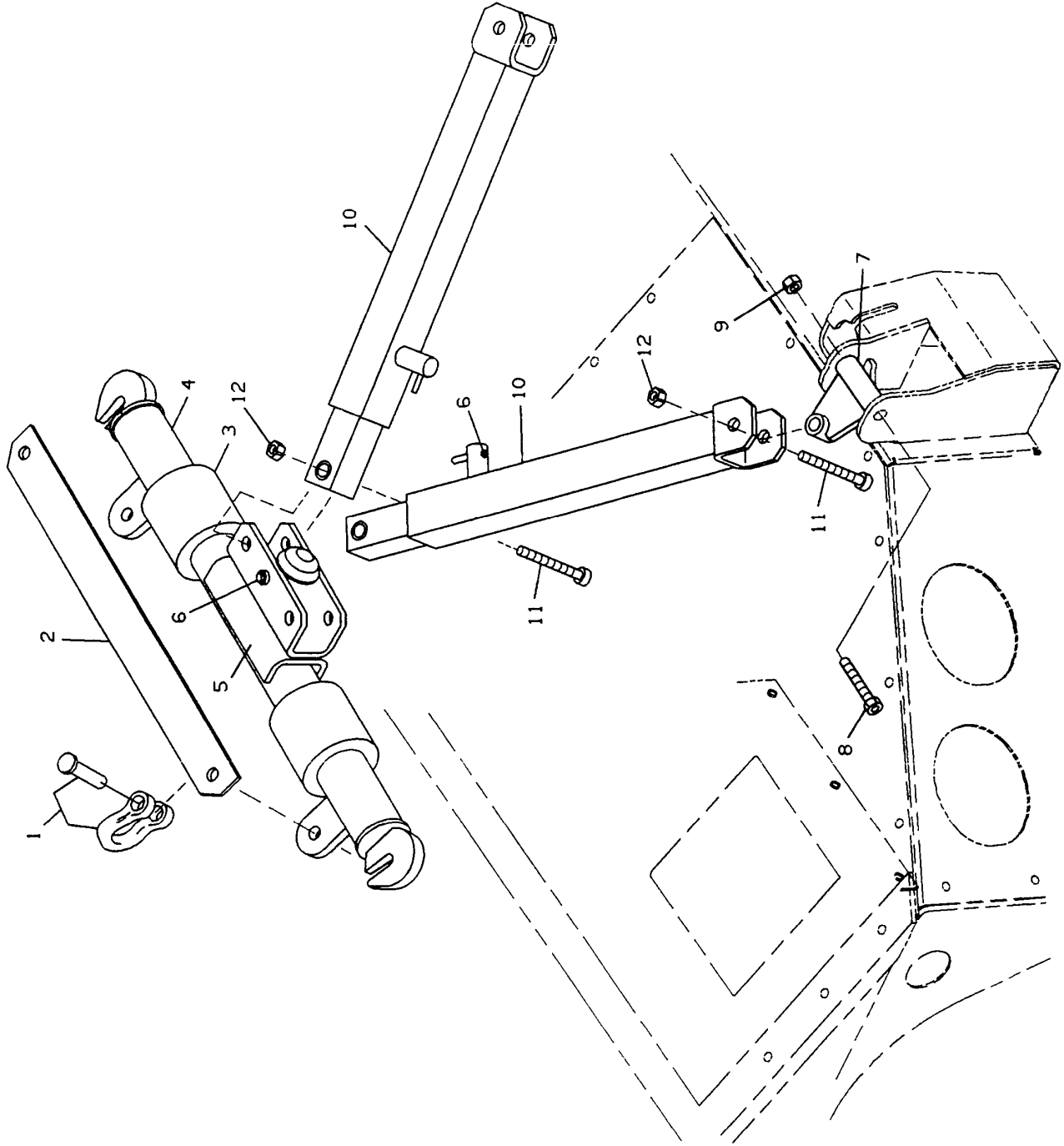
Date 6-1-96

LIGHT DUTY TOW SLING



Rev. 1
Date 6-1-96

MEDIUM DUTY TRUCK BAR



Rev. 1
Date 6-1-96

PARTS LIST — MEDIUM DUTY TRUCK BAR

Ref. No.	Part No.	Description	Qty.
1	7804000002	Anchor Shackle	2
2	4706000983	Plate	1
3	8565760025	Tube	2
4	3912000003	Tube	2
5	3512800043	Tow Sling Head	1
6	7440030000	Grease Fitting	7
7	3309000006	U-Joint	2
8	7115223806	Capscrew	2
9	7660202601	Locknut	2
10	3020000010	Hold Back Bar	2
11	7105223250	Capscrew	4
12	7661000017	Locknut	4

Rev. 1

F-5

Date 6-1-96