

\$7.50

LIGHT DUTY

OPERATIONS, MAINTENANCE AND PARTS MANUAL

JERR-DAN.

An Oshkosh Truck Corporation Company

1080 Hykes Road
Greencastle, PA 17225

Phone (717) 597-7111

www.jerr-dan.com

PARTS LIST -- RUSTLER DECK

Ref. No.	Part No.	Description	Qty.
1	3097000124	Steel Deck (17') (96" Wide)	1
	3097000123	Steel Deck (18') (96" Wide)	
	3097000122 ¹	Steel Deck (19') (96" Wide)	
	3097000064	Aluminum Deck (17')	
	3097000065	Aluminum Deck (18')	
	3097000067 ¹	Aluminum Deck (19')	
	3097000119 ¹	Aluminum Deck (19') (96" Wide)	
2	3241000029	Headboard (34.50")	1
	3241000040	Headboard (40.50")	
	3241000030	Headboard (45.50")	
3	7105201650	Hex Head Capscrew	4
4	7950200152	Flat Washer	4
5	7660200035	Hex Nut	2
6	7970000008	Winch Assembly	1
7	7950160050	Lock Washer	8
8	7115160850	Hex Head Capscrew	8
9	7115181450	Hex Head Capscrew	4
10	7660182301	Flanged Locknut	4
11	7626000008	Orbit Motor	1
12	7950180450	Lock Washer	2
13	7115181050	Hex Head Capscrew	2
14	7248000001	Cable	1
15	7590000010	Amber Light	2
16	3706000058	Tilt Lockout Striker Plate	1
17	7115161050	Hex Head Capscrew (Aluminum Decks Only)	2
18	7660162301	Flanged Locknut (Aluminum Decks Only)	2
19	4706000989	Plate (Aluminum Decks Only)	2
20	3178000136 ²	Bracket Weldment	1
21	4806000011 ²	Shaft	2
22	7754000022 ²	Retaining Ring	8
23	4806000014 ²	Shaft	1
24	4806000015 ²	Shaft	1
25	4912000087 ²	Roller Tube	2
26	7209000011 ²	Bushing	8
27	4912000130 ²	Roller Tube	2
28	7115181250 ²	Hex Head Capscrew	4
29	7660182601 ²	Locknut	4
30	7843000007 ²	Extension Spring	2
31	7111141407 ²	Flat Head Machine Screw	2
32	7660141600 ²	Locknut	2
33	9551960017 ³	Handle	1
34	9283960001 ³	Collar	1
35	9691960001 ³	Spring Pin	4
36	9178960007 ³	Mounting Bracket	1
37	9843960013 ³	Spring	1
38	9949960007 ³	Flat Washer	2
39	9763960002 ³	Shifter Rod	1
40	9691960011 ³	Spring Pin	1
41	9309690004 ³	Coupling	1
42	9120960015 ³	Hex Head Capscrew	2
43	9661960010 ³	Hex Nut	2
44	9949960008 ³	Flat Washer	4

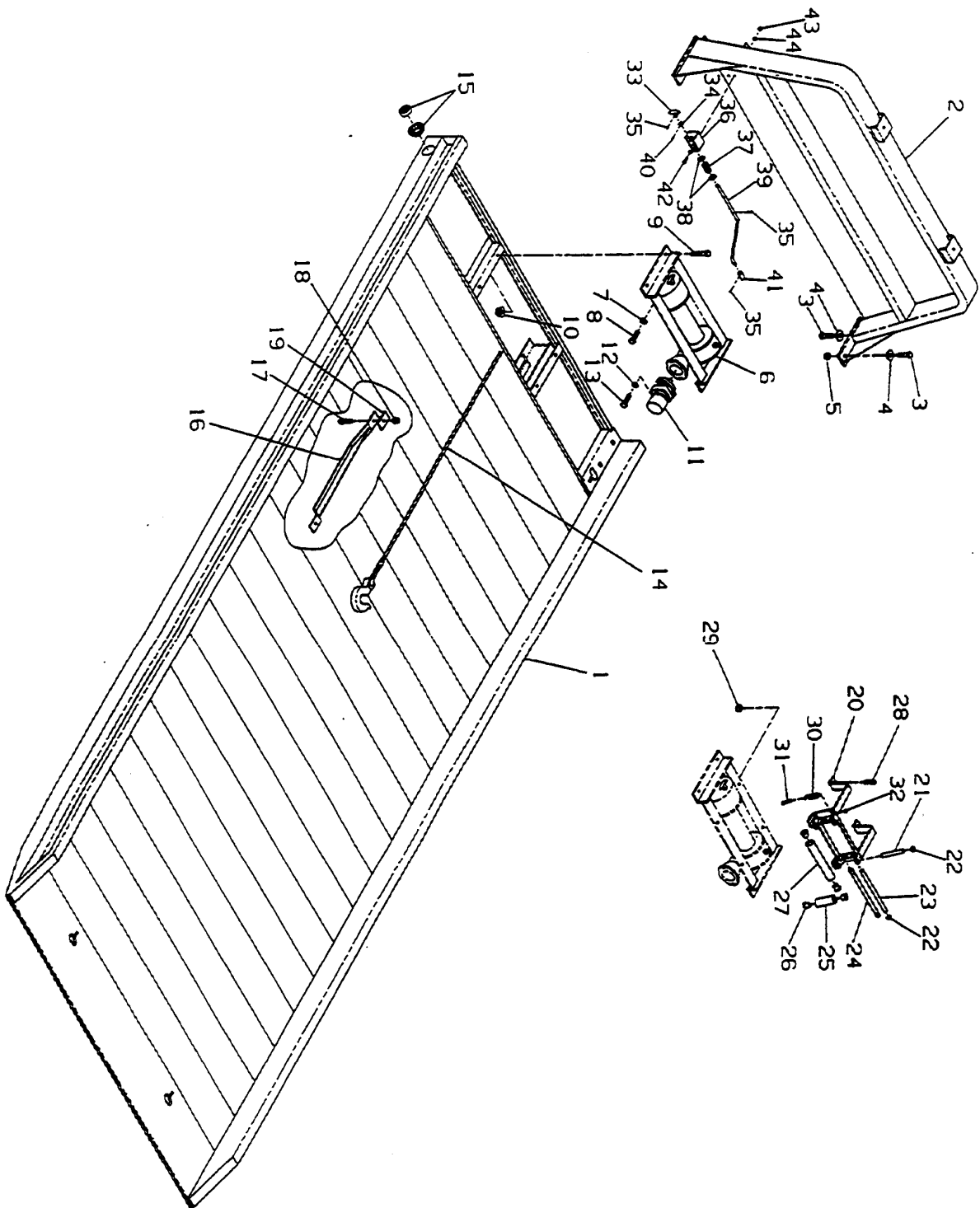
¹ Consult Factory for Foreign Chassis Components

² Also Available as Assembly #2500900448

³ Also Available as Assembly #7551000012

Rev. 1
Date 07-01-95

YSTER DECK

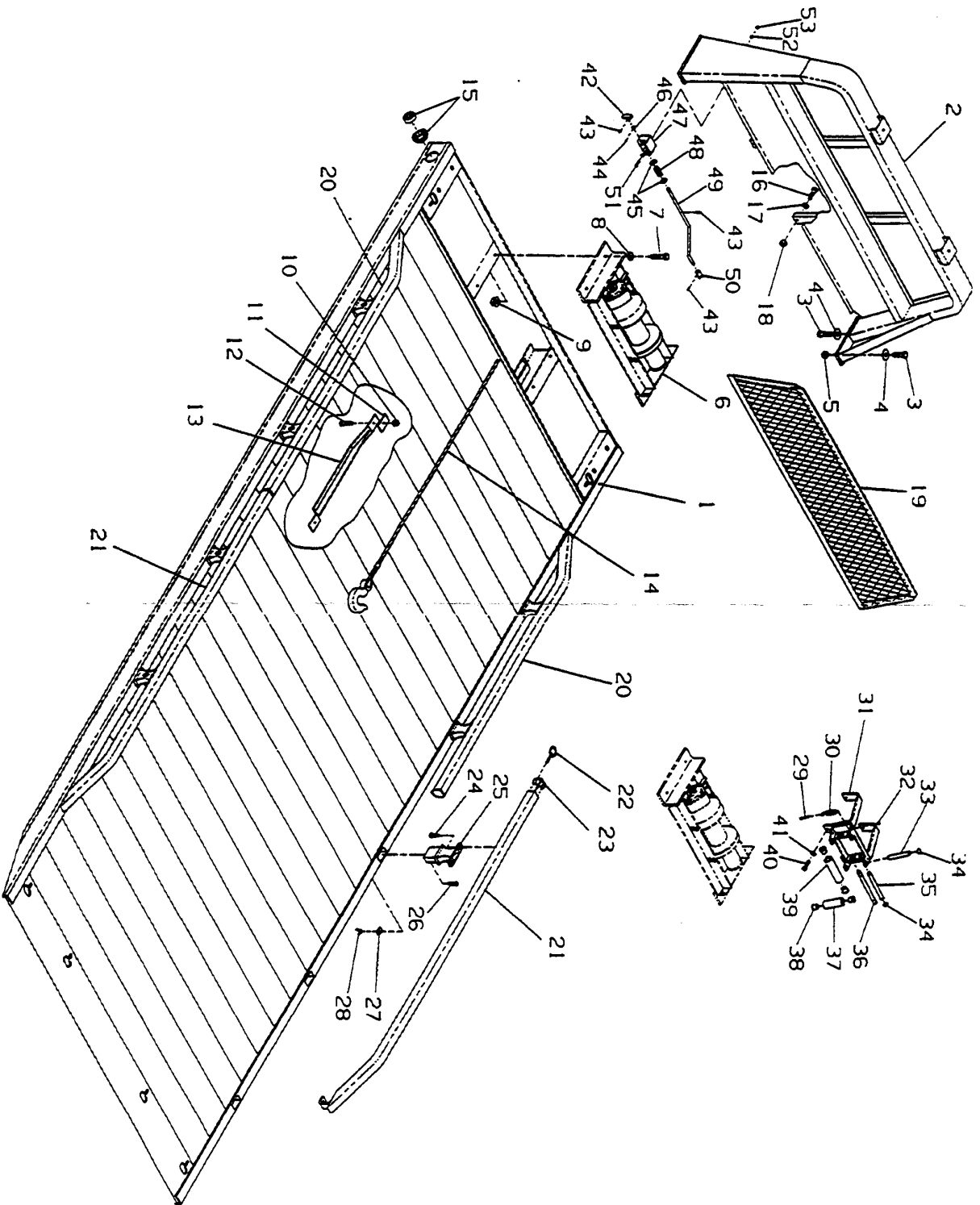


6-375-000076-REV-2

4.2

Rev. _____
Date _____

WRANGLER LITE DECK



PARTS LIST -- WRANGLER LITE DECK

Ref. No.	Part No.	Description	Qty.
1	3097000058	Aluminum Deck (17")	1
	3097000055 ¹	Aluminum Deck (18'-4")	
2	3241000027	Headboard (34.50")	1
	3241000041	Headboard (40.50")	
	3241000025	Headboard (45.50")	
3	7105201650	Hex Head Capscrew (Alum. Decks Only)	4
4	7950200152	Flat Washer	4
5	7660200035	Hex Nut	2
6	7950000024	Planetary Winch Assembly	1
7	7115181450	Hex Head Capscrew	4
8	7950180153	Flat Washer	4
9	7660182301	Flanged Locknut	4
10	7660162301	Flanged Locknut (Alum. Decks Only)	2
11	4706000989	Plate (Alum. Decks Only)	2
12	7115161050	Hex Head Capscrew (Alum. Decks Only)	2
13	3706000058	Tilt Lockout Striker Plate	1
14	7248000001	Cable	1
15	7590000010	Amber Light	2
16	7115181050	Hex Head Capscrew	2
17	7950180161	Flat Washer	2
18	7660182601	Locknut	2
19	3391000001	Headboard Screen (34.50")	1
	3391000002	Headboard Screen (40.50" & 45.50")	
20	3537300016 ⁴	Front Raised Rail Tube Assembly	2
21	3537300015 ⁴	Rear Raised Rail Tube Assembly	2
22	7391000003 ⁴	Klik Pin	2
23	7254000002 ⁴	End Cap	4
24	7118161025 ^{4*}	Bolt	16
25	7259000002 ^{4*}	Post	8
26	7111161051 ^{4*}	Bolt	10
27	4062000002 ^{4*}	Retaining Plate	10
28	7660162100 ^{4*}	Wing Nut	10
29	7111141407 ²	Flat Head Machine Screw	2
30	7843000007 ²	Extension Spring	2
31	3500900021 ²	Bracket Weldment	1
32	7660141600 ²	Locknut	2
33	4806000011 ²	Shaft	2
34	7754000022 ²	Retaining Ring	8
35	4806000012 ²	Shaft	1
36	4806000013 ²	Shaft	1
37	4912000087 ²	Roller Tube	2
38	7209000011 ²	Bushing	8
39	4912000086 ²	Roller Tube	2
40	7115181050 ²	Hex Head Capscrew	4
41	7950180000 ²	Lock Washer	4
42	9551960017 ³	Handle	1
43	9691960001 ³	Spring Pin	4
44	9691960011 ³	Spring Pin	1
45	9949960007 ³	Flat Washer	2
46	9283960002 ³	Collar	1
47	9178960007 ³	Mounting Bracket	1
48	9843960013 ³	Spring	1
49	9763960003 ³	Shifter Rod	1
50	9309960005 ³	Coupling	1
51	9120960015 ³	Hex Head Capscrew	2
52	9949960008 ³	Flat Washer	4
53	9661960010 ³	Hex Nut	2

¹ Consult Factory for Foreign Components

² Also Available as Assembly #2500900548

³ Also Available as Assembly #7551000009

⁴ Also Available in Rail Kit #9577790035

* Also Available in Post Kit #9577790084

Rev. _____

Date _____

PARTS LIST -- ELITE DECK

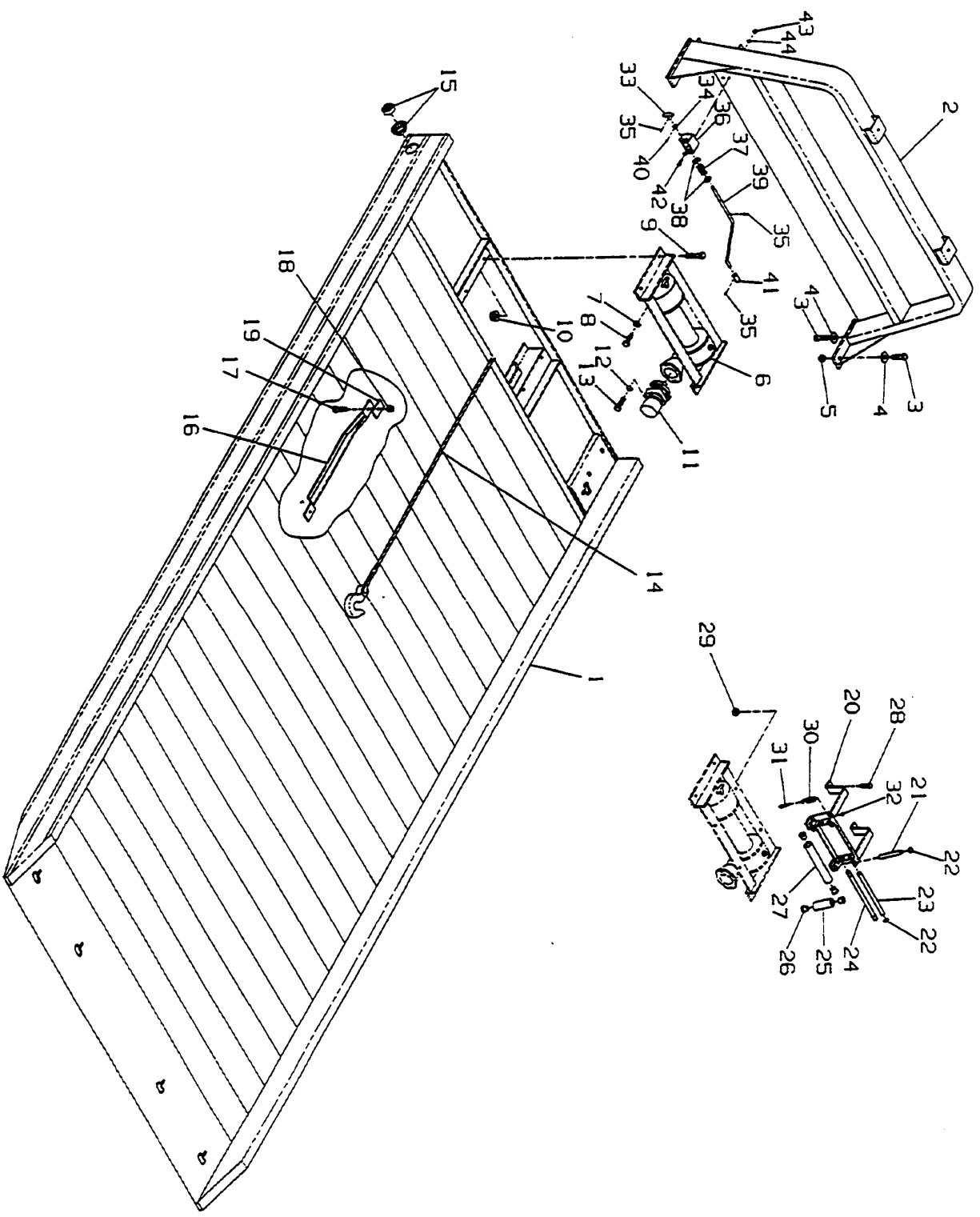
Ref. No.	Part No.	Description	Qty.
1	3097000121 ¹	Aluminum Deck (19')	1
2	3241000029	Headboard (34.50")	1
	3241000040	Headboard (40.50")	
	3241000030	Headboard (45.50")	
3	7105201650	Hex Head Capscrew	4
4	7950200152	Flat Washer	4
5	7660200035	Hex Nut	2
6	7970000008	Winch Assembly	1
7	7950160050	Lock Washer	8
8	7115160850	Hex Head Capscrew	8
9	7115181450	Hex Head Capscrew	4
10	7660182301	Flanged Locknut	4
11	7626000008	Orbit Motor	1
12	7950180450	Lock Washer	2
13	7115181050	Hex Head Capscrew	2
14	7248000001	Cable	1
15	7590000010	Amber Light	2
16	3706000058	Tilt Lockout Striker Plate	1
17	7115161050	Hex Head Capscrew (Aluminum Decks Only)	2
18	7660162301	Flanged Locknut (Aluminum Decks Only)	2
19	4706000989	Plate (Aluminum Decks Only)	2
20	3178000136 ²	Bracket Weldment	1
21	4806000011 ²	Shaft	2
22	7754000022 ²	Retaining Ring	8
23	4806000014 ²	Shaft	1
24	4806000015 ²	Shaft	1
25	4912000087 ²	Roller Tube	2
26	7209000011 ²	Bushing	8
27	4912000130 ²	Roller Tube	2
28	7115181250 ²	Hex Head Capscrew	4
29	7660182601 ²	Locknut	4
30	7843000007 ²	Extension Spring	2
31	7111141407 ²	Flat Head Machine Screw	2
32	7660141600 ²	Locknut	2
33	9551960017 ³	Handle	1
34	9283960001 ³	Collar	1
35	9691960001 ³	Spring Pin	4
36	9178960007 ³	Mounting Bracket	1
37	9843960013 ³	Spring	1
38	9949960007 ³	Flat Washer	2
39	9763960002 ³	Shifter Rod	1
40	9691960011 ³	Spring Pin	1
41	9309690004 ³	Coupling	1
42	9120960015 ³	Hex Head Capscrew	2
43	9661960010 ³	Hex Nut	2
44	9949960008 ³	Flat Washer	4

¹ Consult Factory for Foreign Chassis Components

² Also Available as Assembly #2500900448

³ Also Available as Assembly #7551000012

ELITE DECK

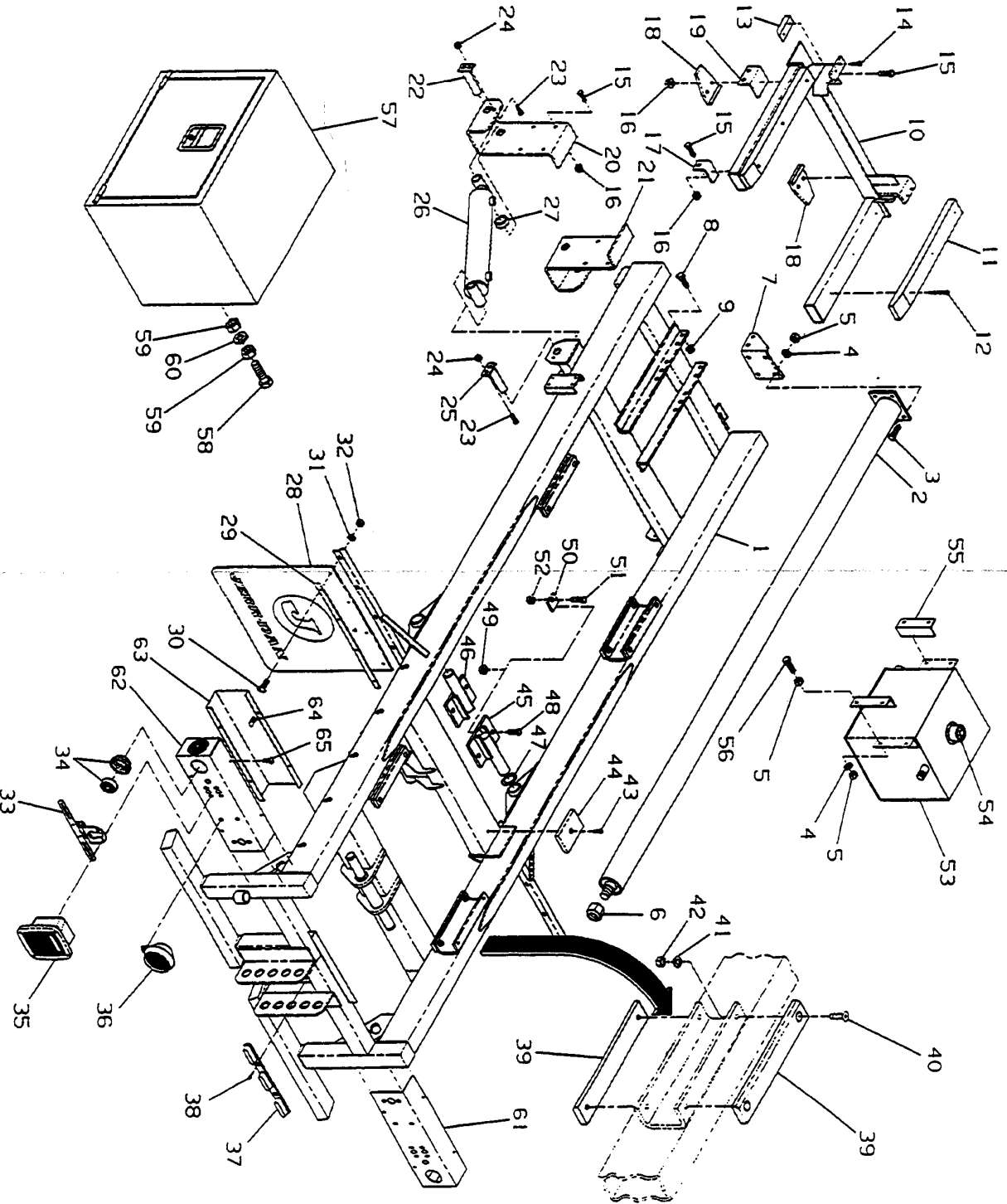


5-375-000087-REV-0

4.6

Rev. 1
Date 07-01-95

FINAL ASSEMBLY BASIC UNIT



Ref. No.	Part No.	Description	Qty.
1	3888000098	Subframe	1
2	3320000010	Rollback Cylinder	1
3	7115181450	Hex Head Capscrew	4
4	7950186000	Lock Washer	8
5	7660186000	Hex Nut	8
6	7660263031	Locknut	1
7	4178000184	Bracket	1
8	7115181250	Hex Head Capscrew	4
9	7661000011	Flanged Locknut	4
10	3636000038	Hold Down Base	1
11	4678000079	Weed Block	1
12	7120000010	Self-Drilling Screw	6
13	4679000020	Hold Down Pad	2
14	7780181686	Self-Tapping Screw	4
15	7106181450	Hex Head Capscrew	14
16	7660182333	Flanged Locknut	14
17	4017000408	Angle	2
18	3274000003	Retaining Clamp (Ford & IHC)	2
19	4017000457	Retaining Clamp (Chevys)	2
20	4178000178	R.H. Saddle	2
21	4178000179	L.H. Saddle	2
22	3691000092	Pin Weldment	1
23	7115186850	Hex Head Capscrew	1
24	7660182301	Flanged Locknut	2
25	3691000073	Pin Weldment	4
26	3320000009	Till Cylinder	2
27	4208000020	Spacer (11/16")	2
28	4208000084	Spacer (5/16")	2
29	7638000004	Mud Flap	4
30	4706000233	Back-Up Strip	2
31	7111150813	Truss Head Screw	2
32	7860180000	Lock Washer	8
33	3555184002	Hex Nut	8
34	7580000008	Bracket	1
35	7590000011	Clearance Light (Red)	4
36	7580000007	Stop, Turn, Fall Lamp	2
37	7790141056	Work Light	2
38	4679000016	Bar Light	1
39	7115181023	Self-Tapping Screw	8
40	7950186000	Wear Pad	8
41	7950186000	Flat Head Capscrew	16
42	7660186000	Lock Washer	16
43	7118186823	Hex Nut	1
44	4678000019	Flat Head Capscrew	2
45	3691000082	Wear Pad	2
46	3691000080	R.H. Turnion Pin (Chevy 3500HD)	1
47	3691000080	L.H. Turnion Pin	1
48	7948000003	L.H. Turnion Pin (Chevy 3500HD)	1
49	7105201450	Washer	2
50	7660262331	Hex Head Capscrew	4
51	4708000984	Flanged Locknut	4
52	7106201860	Fill Plate (Chevy 3500HD)	4
53	7660262331	Hex Head Capscrew	2
54	3750000002	Flanged Locknut	2
55	7183000002	Oil Reservoir	2
56	4017000063	Filler Breather Cap	1
57	7111818680	Angle	1
58	3899000009	Hex Head Capscrew	2
59	3899000011	Toolbox	4
60	7105222050	Toolbox with Stainless Steel Door	1
61	7660261338	Hex Head Capscrew	1
62	7950262000	Hex Nut	4
81	3178000171	Lock Washer	4
82	3178000172	R.H. Light Box	1
		L.H. Light Box	1

Ref. No.	Part No.	Description	Qty.
83	4811000032	Closure Plate	2
84	7661000019	Clip Nut	8
85	7111140513	Machine Screw	8

1 Consult Factory for Foreign Chassis Components
2 Available in Wear Pad Service Kit #9577850064

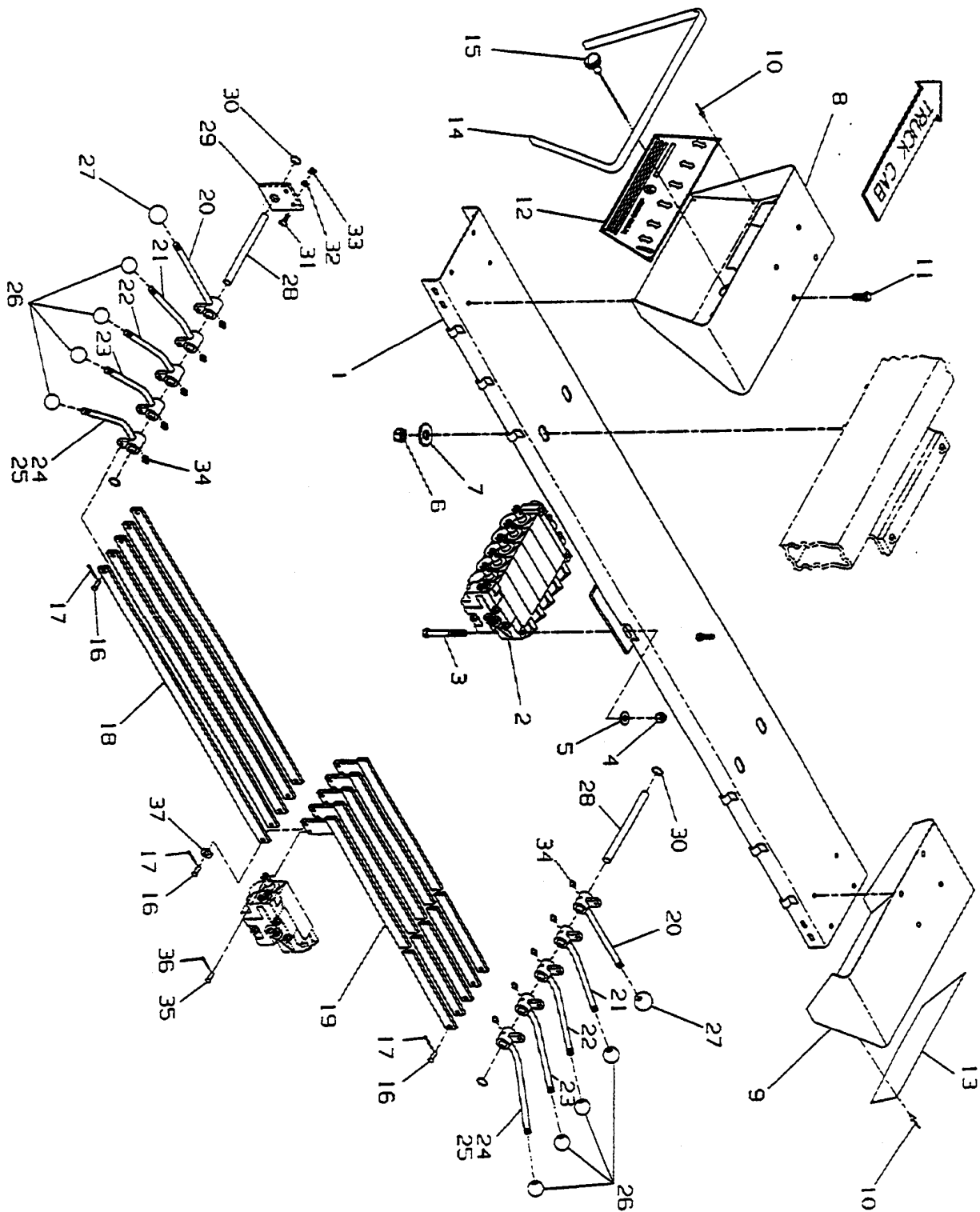
Rev. 1
Date 07-01-95
4.8

**PARTS LIST -- DUAL CONTROLS
(5 BANK VALVE SHOWN)**

Ref. No.	Part No.	Description	Qty.
1	3177000033	Controls Support Weldment	1
2	4935000051	Control Valve (5 Bank)	1
	4935000050	Control Valve (4 Bank)	
	4935000049	Control Valve (3 Bank)	
3	7111163250	Hex Head Capscrew	3
4	7660161605	Locknut	3
5	7950160151	Flat Washer	3
6	7660181600	Locknut	4
7	7950180161	Flat Washer	4
8	3177000030	L.H. Control Hood	1
9	3177000031	R.H. Control Hood	1
10	7759000004	Pop Rivet	8
11	7115150825	Machine Screw	8
12	7330000155	L.H. Control Placard	1
13	7330000156	R.H. Control Placard	1
14	4632000004	Trim Molding	2
15	7590000012	Light	1
16	7690151200	Clevis Pin	9,12,15
17	7690021610	Cotter Pin	9,12,15
18	4763000123	Control Rod	3,4,5
19	3763000050	Control Rod	3,4,5
20	3551000017	Handle Weldment	2,2,2
21	3551000002	Handle Weldment	2,2,2
22	3551000013	Handle Weldment	2,2,2
23	3551000015	Handle Weldment	0,2,2
24	3551000031	Handle Weldment	0,0,2
25	4209000021	Bushing	4,2,0
26	7551000002	Black Knob	4,6,8
27	7551000003	Red Knob	2
28	4691000141	Pin	2
29	4606000065	Lug	4
30	7754000009	Retaining Ring	4
31	7111150864	Bolt	4
32	7950150000	Lock Washer	4
33	7660152601	Locknut	4
34	7440030000	Grease Fitting	6,8,10
35	7690141200	Clevis Pin	3,4,5
36	7690000810	Cotter Pin	3,4,5
37	7949000011	Flat Washer	3,4,5

Rev. 1
Date 07-01-95

VAL CONTROLS

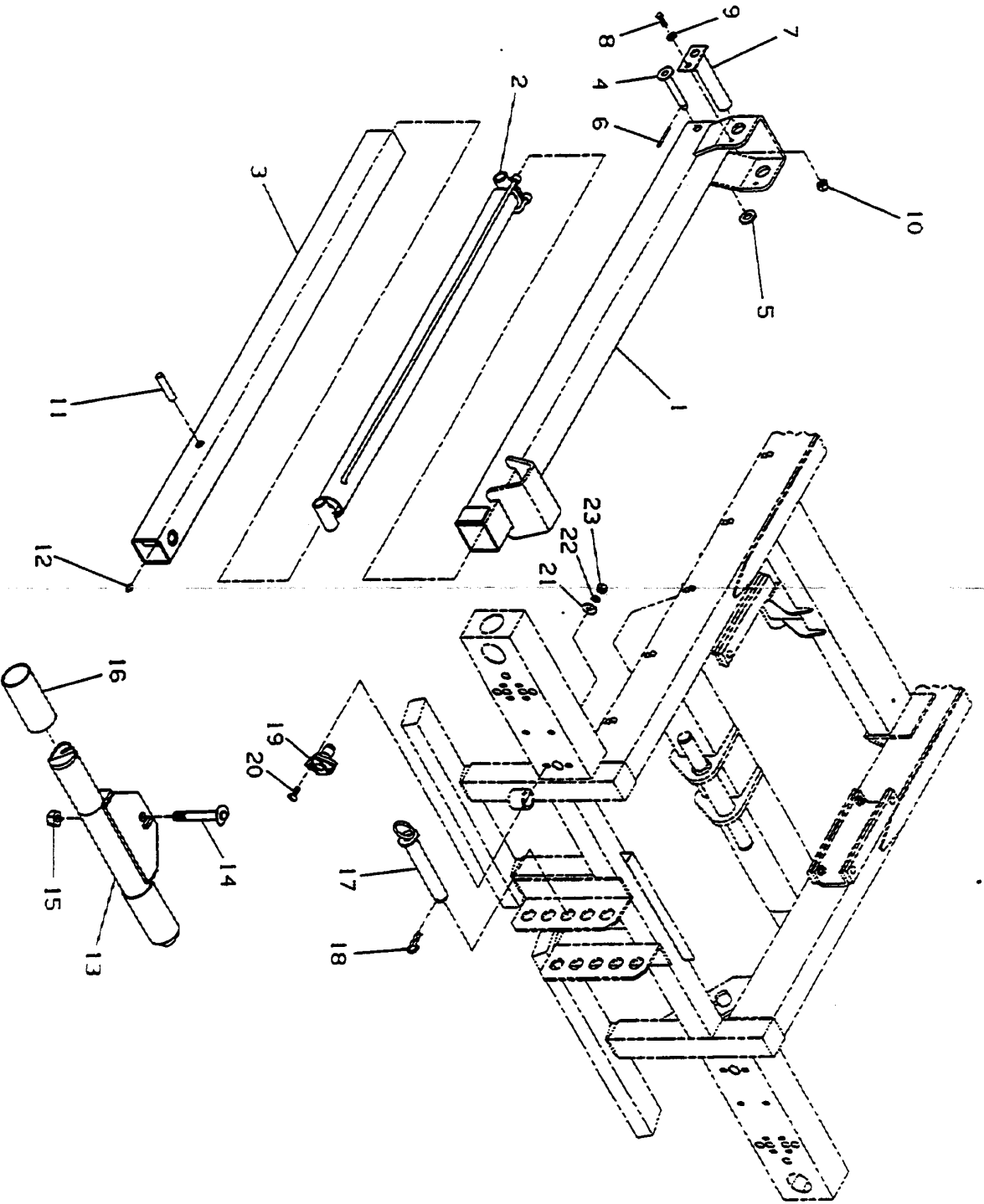


6-376-000073-REV-3

4.10

Rev. 1
Date 07-01-95

1500# HYDRAULIC TOW BAR



1
E-376-000074-REV-2

4.11

Rev. _____
Date _____

PARTS LIST -- 1500# HYDRAULIC TOW BAR INSTALLATION

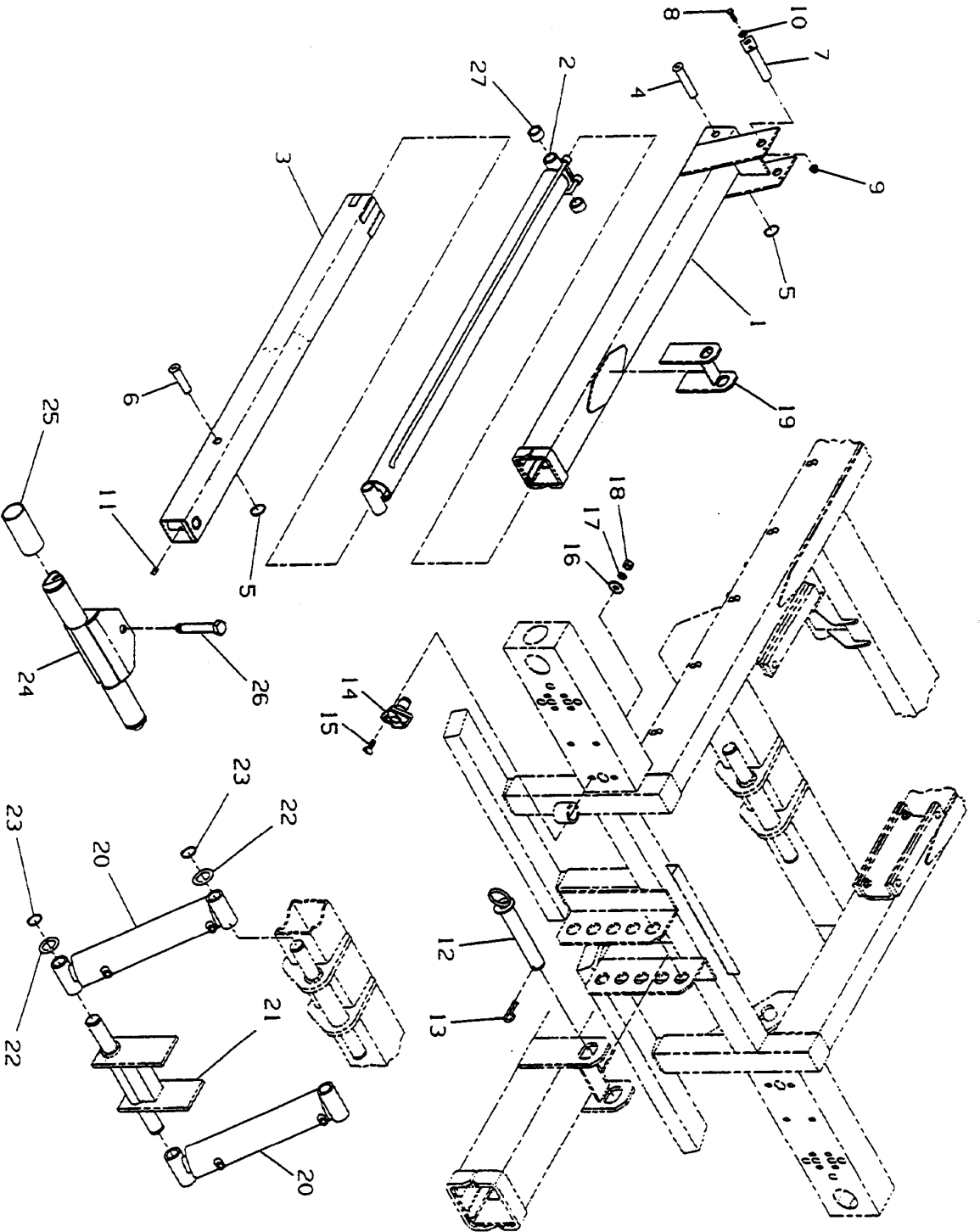
Ref. No.	Part No.	Description	Qty.
1	3170000034	Outer Tube Weldment	1
2	3320000013	Tow Bar Cylinder	1
3	3170000035	Inner Tube Weldment	1
4	3691000025	Pin Weldment	1
5	7950220161	Flat Washer	1
6	7690144010	Cotter Pin	1
7	3691000093	Pin Weldment	1
8	7118151250	Hex Head Capscrew	1
9	7950150161	Flat Washer	1
10	7660152600	Locknut	1
11	4691000042	Pin	1
12	7440030000	Grease Fitting	1
13	3556000006	Tow Hitch	1
14	3691000026	Hitch Pin	1
15	7660261630	Locknut	1
16	7912000011	Rubber Tube	2
17	3691000097	Pin Weldment	1
18	7691000001	Hair Pin	1
19	7291000003	Female Receptacle	1
20	7111140613	Truss Head Screw	2
21	7950140161	Flat Washer	2
22	7950140000	Lock Washer	2
23	7660140000	Hex Nut	2

**PARTS LIST -- 3500# HYDRAULIC TOW BAR
WITH AND WITHOUT IRL**

Ref. No.	Part No.	Description	Qty.
1	3170000074	Outer Tube Weldment	1
2	3320000020	Tow Bar Cylinder	1
3	3170000048	Inner Tube Weldment	1
4	3691000042	Pin Weldment	1
5	7754000006	Retaining Ring	2
6	3691000011	Pin Weldment	1
7	3691000093	Pin Weldment	1
8	7115161250	Hex Head Capscrew	1
9	7660162301	Flanged Locknut	1
10	7950160161	Flat Washer	1
11	7440000200	Grease Fitting 45°	1
12	3691000097	Pin Weldment	1
13	7691000001	Hair Pin	1
14	7291000003	Female Receptacle	1
15	7111140613	Truss Head Screw	2
16	7950140161	Flat Washer	2
17	7950140000	Lock Washer	2
18	7660140000	Hex Nut	2
19	3606000012	Lug Weldment (Low)	1
	3606000017	Lug Weldment (High)	1
20	3320000041	IRL Cylinder	2
21	3178000155	Bracket	1
22	7949000008	Washer	4
23	7754000014	Retaining Ring	4
24	3556000023	Tow Hitch	1
25	7912000011	Rubber Tube	2
26	4120000008	Bolt	1
27	4209000020	Spacer	2

Rev. _____
Date _____

3E HYDRAULIC TOW BAR
WITH AND WITHOUT IRL

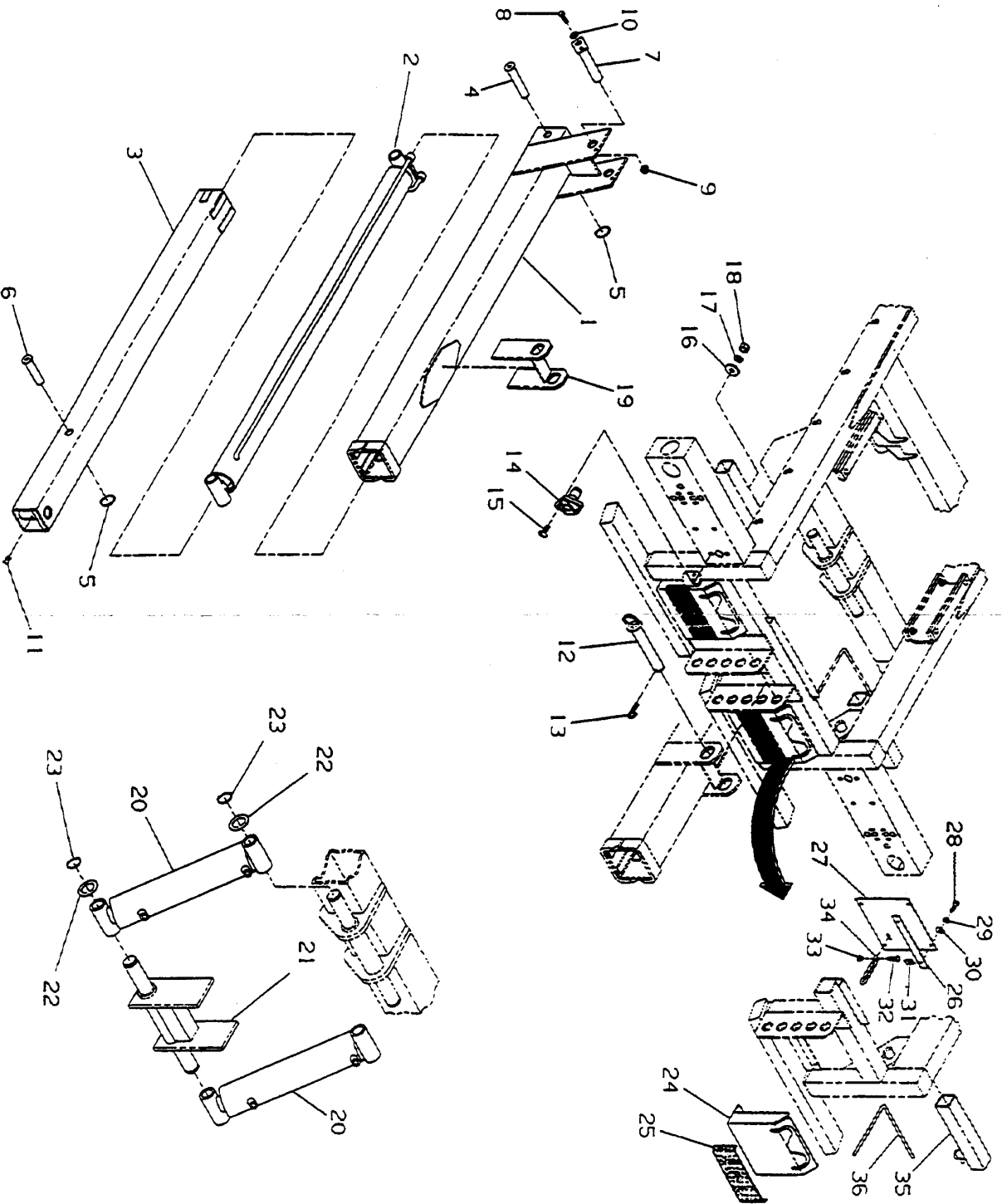


5-375-000082-REV-1

4.14

Rev. _____
Date _____

**3500# HYDRAULIC WHEEL LIFT TOW BAR
WITH AND WITHOUT IRL**



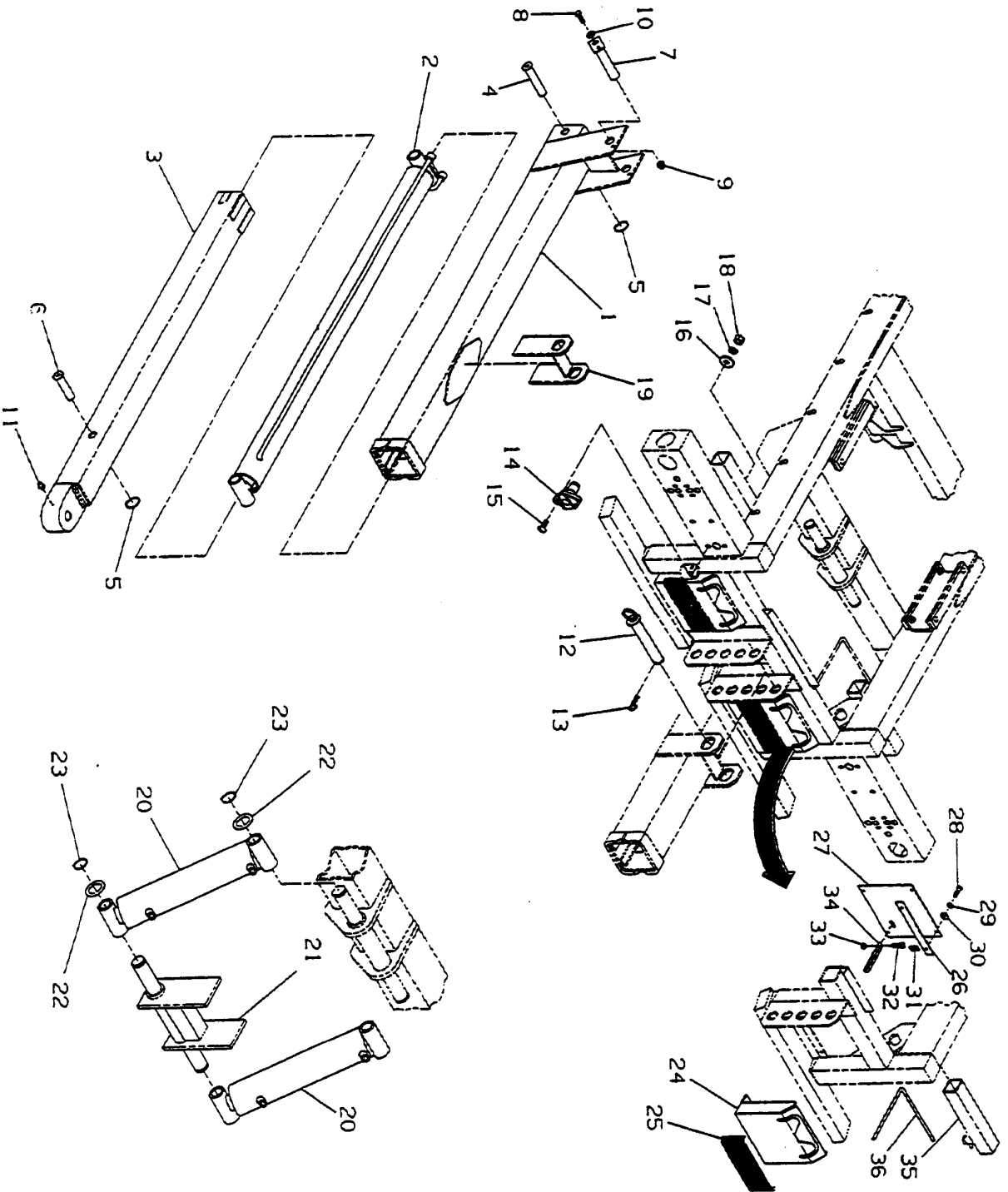
**PARTS LIST -- 3500# HYDRAULIC WHEEL LIFT TOW BAR
WITH AND WITHOUT IRL**

Ref. No.	Part No.	Description	Qty.
1	3170000074	Outer Tube Weldment	1
2	3320000021	Tow Bar Cylinder	1
3	3170000046	Inner Tube Weldment	1
4	3691000042	Pin Weldment	1
5	7754000006	Retaining Ring	2
6	3691000011	Pin Weldment	1
7	3691000093	Pin Weldment	1
8	7115161250	Hex Head Capscrew	1
9	7660162301	Flanged Locknut	1
10	7950160161	Flat Washer	1
11	7440000200	Grease Fitting 45°	1
12	3691000097	Pin Weldment	1
13	7691000001	Hair Pin	1
14	7291000003	Female Receptacle	1
15	7111140613	Truss Head Screw	2
16	7950140161	Flat Washer	2
17	7950140000	Lock Washer	2
18	7660140000	Hex Nut	2
19	3606000012	Lug Weldment (Low)	1
	3606000017	Lug Weldment (High)	1
20	3320000041	IRL Cylinder	2
21	3178000155	Bracket	1
22	7949000008	Washer	4
23	7754000014	Retaining Ring	4
24	7706001412	Chain Pocket	2
25	7679000008	Chain Rub Pad	2
26	4062000108	Bar	4
27	4811000030	Back Plate	2
28	7115140850	Hex Head Capscrew	8
29	7950140000	Lock Washer	8
30	7950140152	Flat Washer	8
31	7661000019	Clip Nut	8
32	7115171050	Hex Head Capscrew	2
33	7660172600	Locknut	2
34	7262000020	Chain Assembly	2
35	3913000043	L-Arm Storage Tube	2
36	4495000007	Hose Guard	1

**PARTS LIST -- LO-PROFILE
3500# HYDRAULIC WHEEL LIFT TOW BAR
WITH AND WITHOUT IRL**

Ref. No.	Part No.	Description	Qty.
1	3170000074	Outer Tube Weldment	1
2	3320000021	Tow Bar Cylinder	1
3	3170000073	Inner Tube Weldment	1
4	3691000042	Pin Weldment	1
5	7754000006	Retaining Ring	2
6	3691000011	Pin Weldment	1
7	3691000093	Pin Weldment	1
8	7115161250	Hex Head Capscrew	1
9	7660162301	Flanged Locknut	1
10	7950160161	Flat Washer	1
11	7440000200	Grease Fitting 45°	1
12	3691000097	Pin Weldment	1
13	7691000001	Hair Pin	1
14	7291000003	Female Receptacle	1
15	7111140613	Truss Head Screw	2
16	7950140161	Flat Washer	2
17	7950140000	Lock Washer	2
18	7660140000	Hex Nut	2
19	3606000012	Lug Weldment (Low)	1
	3606000017	Lug Weldment (High)	1
20	3320000041	IRL Cylinder	2
21	3178000155	Bracket	1
22	7949000008	Washer	4
23	7754000014	Retaining Ring	4
24	7706001412	Chain Pocket	2
25	7679000008	Chain Rub Pad	2
26	4062000108	Bar	4
27	4811000030	Back Plate	2
28	7115140850	Hex Head Capscrew	8
29	7950140000	Lock Washer	8
30	7950140152	Flat Washer	8
31	7661000019	Clip Nut	8
32	7115171050	Hex Head Capscrew	2
33	7660172600	Locknut	2
34	7262000020	Chain Assembly	2
35	3913000043	L-Arm Storage Tube	2
36	4495000007	Hose Guard	1

**LO-PROFILE
3500# WHEEL LIFT TOW BAR
WITH AND WITHOUT IRL**

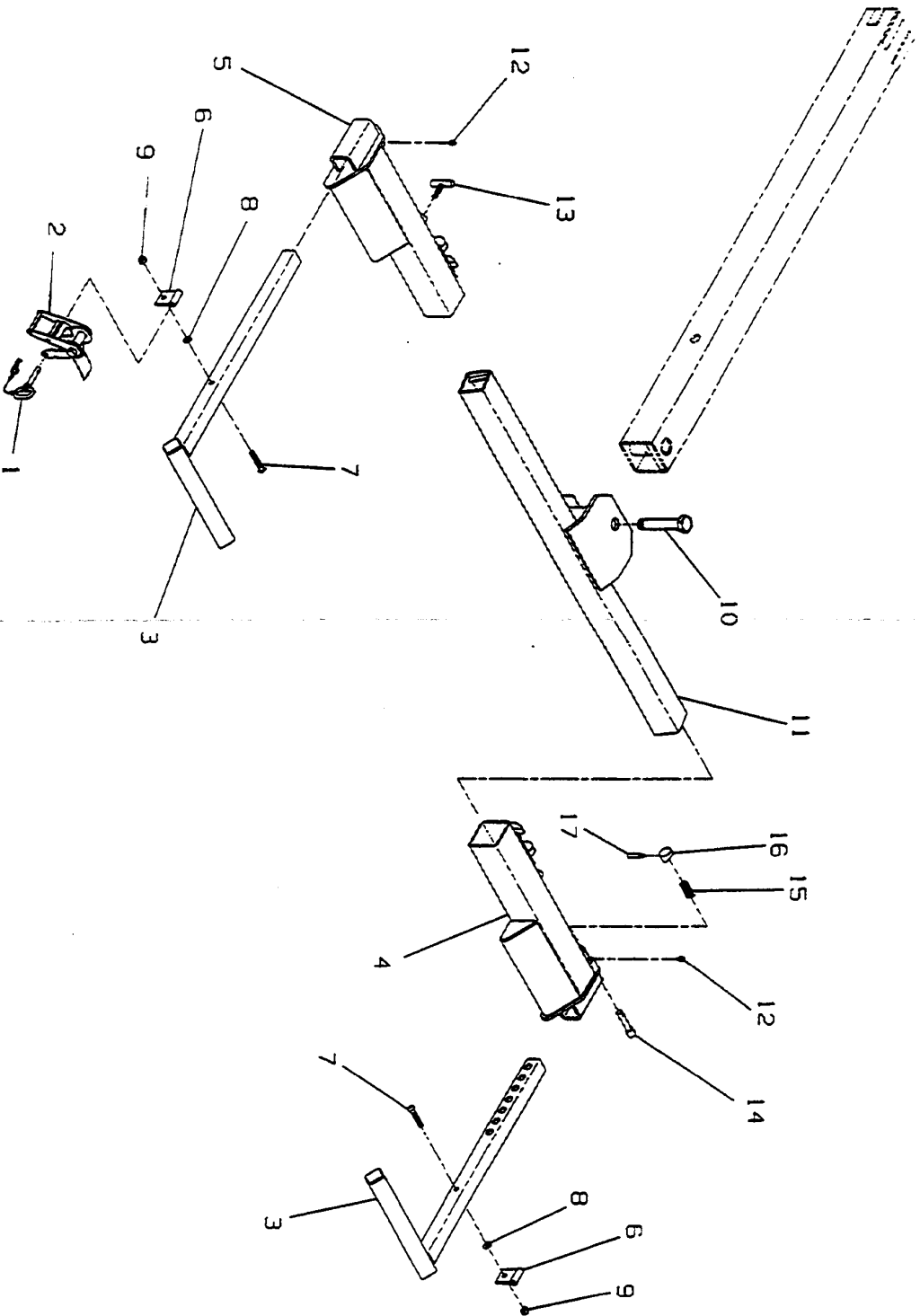


5-375-000085-REV-0

4.18

Rev. _____
Date _____

**HYDRAULIC WHEEL LIFT TOW BAR
WHEEL GRID ASSEMBLY**



PARTS LIST -- HYDRAULIC TOW BAR WHEEL GRID ASSEMBLY

Ref. No.	Part No.	Description	Qty.
1	7691000011	Hitch Pin	2
2	7894000002	Tie Down Strap	2
3	3511880049*	L-Arm	2
4	3511880080	R.H. Grid Weldment	1
5	3511880081	L.H. Grid Weldment	1
6	3178000001*	Anchor Bracket	2
7	7118182418*	Button Head Capscrew	2
8	7950180153*	Flat Washer	2
9	7660181630*	Hex Locknut	2
10	4120000008	Bolt	1
11	3500880056	Pivot Tube	1
12	7440030000	Grease Fitting	2
13	3551000026	T-Handle	2
14	4691000188	Pin	2
15	7843000006	Spring	2
16	4254000006	Cap	2
17	4763000184	Rod	2

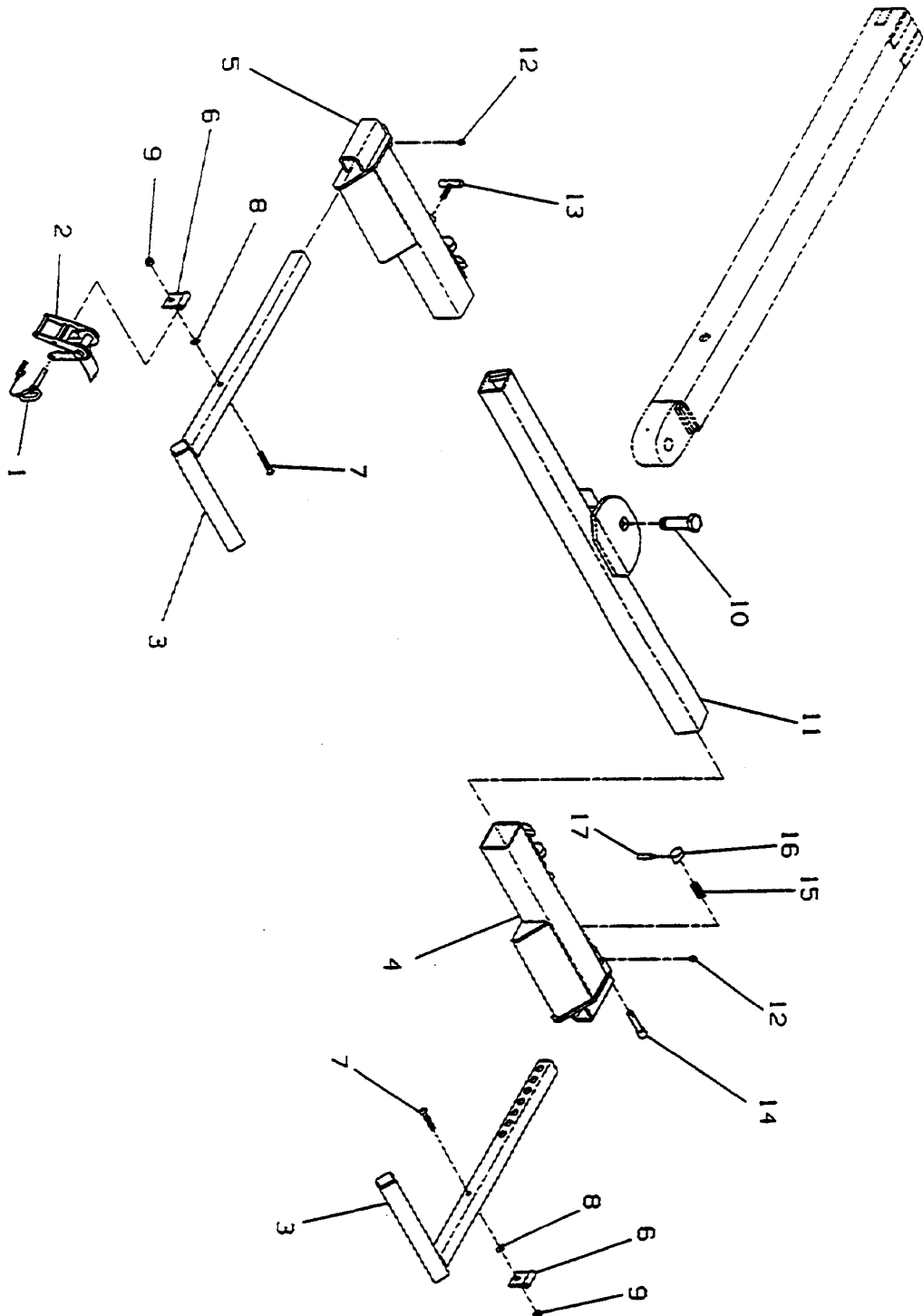
*Also available in L-Arm Replacement Kit #9577000002

**PARTS LIST -- LO-PROFILE
HYDRAULIC TOW BAR WHEEL GRID ASSEMBLY**

Ref. No.	Part No.	Description	Qty.
1	7691000011	Hitch Pin	2
2	7894000002	Tie Down Strap	2
3	3511880049*	L-Arm	2
4	3511880080	R.H. Grid Weldment	1
5	3511880081	L.H. Grid Weldment	1
6	3178000001*	Anchor Bracket	2
7	7118182418*	Button Head Capscrew	2
8	7950180153*	Flat Washer	2
9	7660181630*	Hex Locknut	2
10	4120000011	Bolt	1
11	3500880062	Pivot Tube	1
12	7440030000	Grease Fitting	2
13	3551000026	T-Handle	2
14	4691000188	Pin	2
15	7843000006	Spring	2
16	4254000006	Cap	2
17	4763000184	Rod	2

*Also available in L-Arm Replacement Kit #9577000002

**LO-PROFILE
HYDRAULIC WHEEL LIFT TOW BAR
WHEEL GRID ASSEMBLY**



6-376-000086-REV-1

4.22

Rev. 1
Date 07-01-95

PARTS LIST -- HYDRAULIC COMPONENTS

Ref. No.	Part No.	Description	Qty.
1	4567132178	Winch Hose (17' Deck)	2
	4567132190*	Winch Hose (18' Deck)	
	4567132198*	Winch Hose (19' Deck)	
2	4567122100	Tilt Supply Hose	1
3	4567120020	Tilt Base Hose	2
4	4567120038	Tilt Rod Hose	2
5	4567122104	Rollback Base Hose	1
6	4567122047	Rollback Rod Hose	1
7	7445060645	90° Elbow	7
8	7445121245	90° Elbow	1
9	7445081245	90° Elbow	1
10	7445081043	Straight Adapter	2
11	7445061043	Straight Adapter	4
12	7445060637	Tee	2
13	7470000002	Gauge	1
14	7430000003	Filter Assembly	1
15	7431000001	Filter Element	1
16	**	Fitting	
17	**	Return Hose	1
18	**	Suction Hose	1
19	**	Pressure Hose	1
20	**	Fitting	
21	**	Fitting	
22	**	Fitting	
23	**	Fitting	
24	**	Fitting	
25	**	Fitting	
26	4567122034	Tilt Supply Hose	1
27	7935000102	Tilt Lockout Valve	1
28	7115161650	Hex Head Capscrew	2
29	7660162601	Locknut	2
30	7950160161	Flat Washer	2
31	4570000064	Tilt Supply Hose	1
32	7445060643	Straight Adapter	1

*Consult Factory for Foreign Chassis Components

**Consult Factory for Part Numbers and Quantities

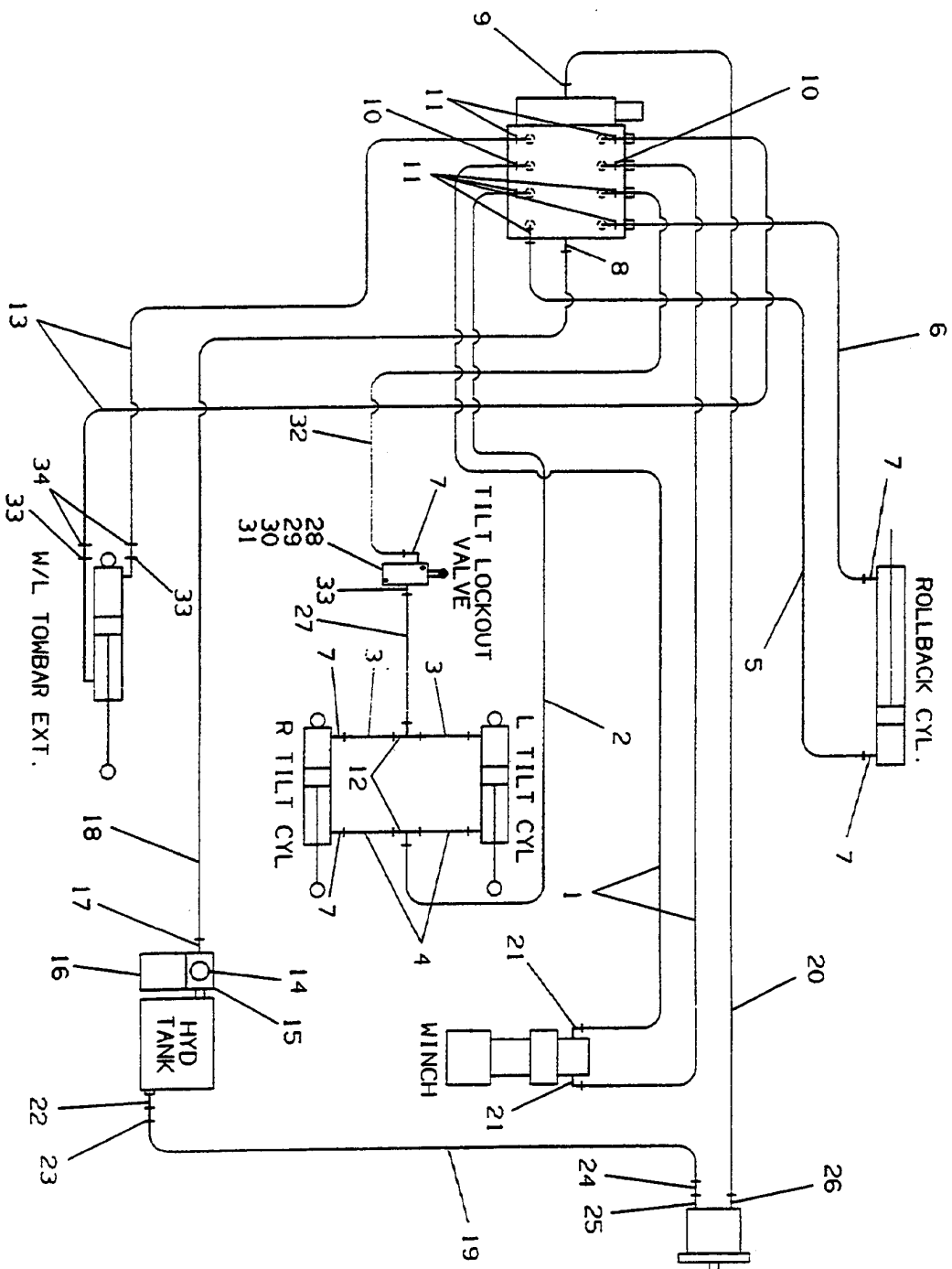
**PARTS LIST -- HYDRAULIC COMPONENTS
HYDRAULIC TOWBAR**

Ref. No.	Part No.	Description	Qty.
1	4567132178	Winch Hose (17' Deck)	2
	4567132190*	Winch Hose (18' Deck)	
	4567132198*	Winch Hose (19' Deck)	
2	4567122100	Tilt Supply Hose	1
3	4567120020	Tilt Base Hose	2
4	4567120038	Tilt Rod Hose	2
5	4567122104	Rollback Base Hose	1
6	4567122047	Rollback Rod Hose	1
7	7445060645	90° Elbow	7
8	7445121245	90° Elbow	1
9	7445081245	90° Elbow	1
10	7445081043	Straight Adapter	2
11	7445061043	Straight Adapter	6
12	7445060637	Tee	2
13	4567122040	Towbar Supply Hose	2
14	7470000002	Gauge	1
15	7430000003	Filter Assembly	1
16	7431000001	Filter Element	1
17	**	Fitting	
18	**	Return Hose	1
19	**	Suction Hose	1
20	**	Pressure Hose	1
21	**	Fitting	
22	**	Fitting	
23	**	Fitting	
24	**	Fitting	
25	**	Fitting	
26	**	Fitting	
27	4567122034	Tilt Supply Hose	1
28	7935000102	Tilt Lockout Valve	1
29	7115161650	Hex Head Capscrew	2
30	7660162601	Locknut	2
31	7950160161	Flat Washer	2
32	4570000064	Tilt Supply Hose	1
33	7445060643	Straight Adapter	3
34	7445060672	90° Elbow	2

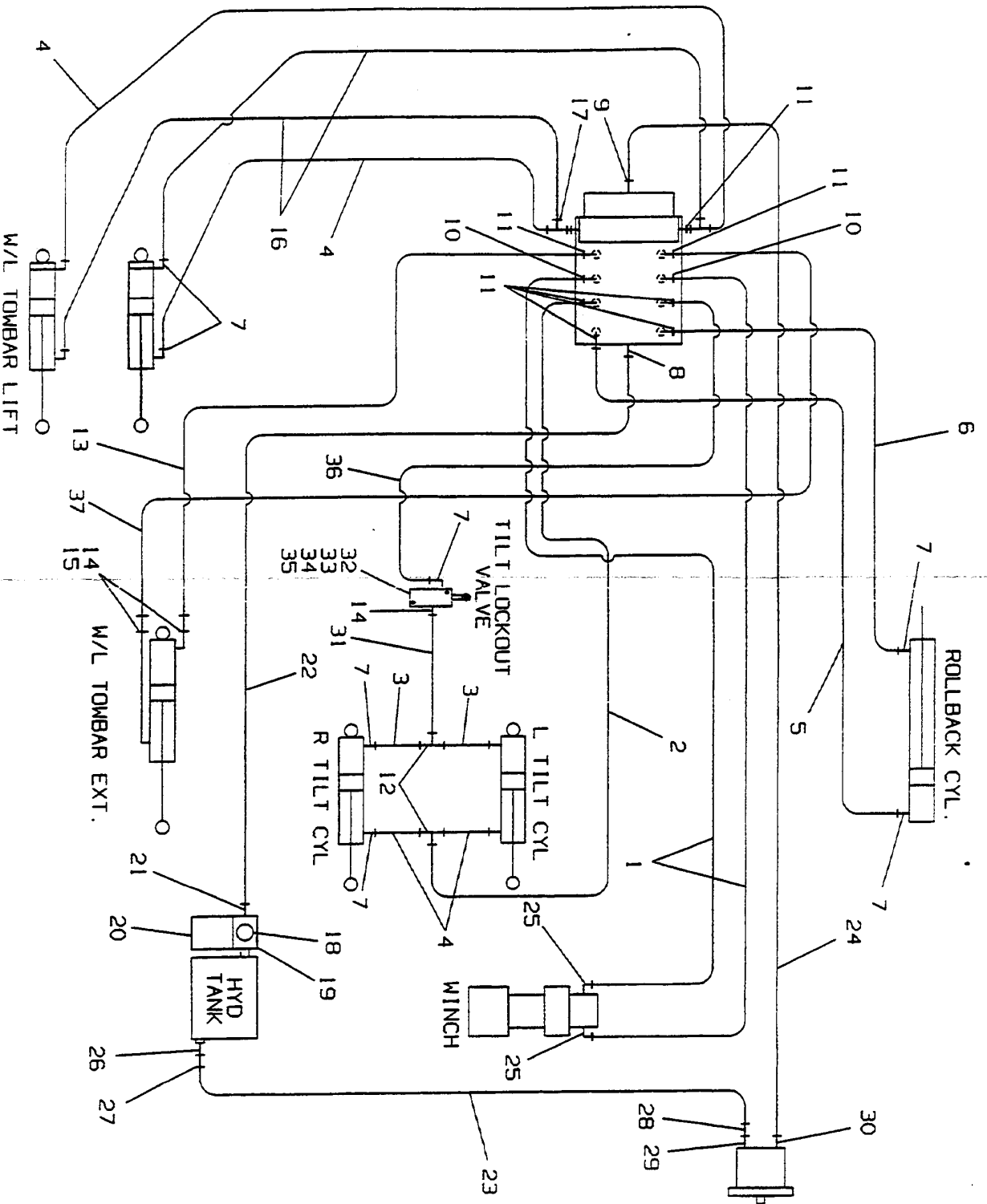
*Consult Factory for Foreign Chassis Components

**Consult Factory for Part Numbers and Quantities

HYDRAULIC COMPONENTS
HYDRAULIC TOW BAR



**HYDRAULIC COMPONENTS
HYDRAULIC TOW BAR WITH IRL**



**PARTS LIST -- HYDRAULIC COMPONENTS
HYDRAULIC TOWBAR WITH IRL**

Ref. No.	Part No.	Description	Qty.
1	4567132178	Winch Hose (17'Deck)	2
	4567132190*	Winch Hose (18'Deck)	
	4567132198*	Winch Hose (19'Deck)	
2	4567122100	Tilt Supply Hose	1
3	4567120020	Tilt Base Hose	2
4	4567120038	Tilt Rod/Towbar Lift Hose	4
5	4567122104	Rollback Base Hose	1
6	4567122047	Rollback Rod Hose	1
7	7445060645	90° Elbow	11
8	7445121245	90° Elbow	1
9	7445081245	90° Elbow	1
10	7445081043	Straight Adapter	2
11	7445061043	Straight Adapter	8
12	7445060637	Tee	2
13	4567122040	Towbar Base Hose	1
14	7445060643	Straight Adapter	3
15	7445060672	90° Elbow	2
16	4567122043	Towbar Lift Hose	2
17	7443000030	Tee	2
18	7470000002	Gauge	1
19	7430000003	Filter Assembly	1
20	7431000001	Filter Element	1
21	**	Fitting	
22	**	Return Hose	1
23	**	Suction Hose	1
24	**	Pressure Hose	1
25	**	Fitting	
26	**	Fitting	
27	**	Fitting	
28	**	Fitting	
29	**	Fitting	
30	**	Fitting	
31	4567122034	Tilt Supply Hose	1
32	7935000102	Tilt Lockout Valve	1
33	7115161650	Hex Head Capscrew	2
34	7660162601	Locknut	2
35	7950160161	Flat Washer	2
36	4570000064	Tilt Supply Hose	1
37	4567123040	Towbar Lift Hose	1

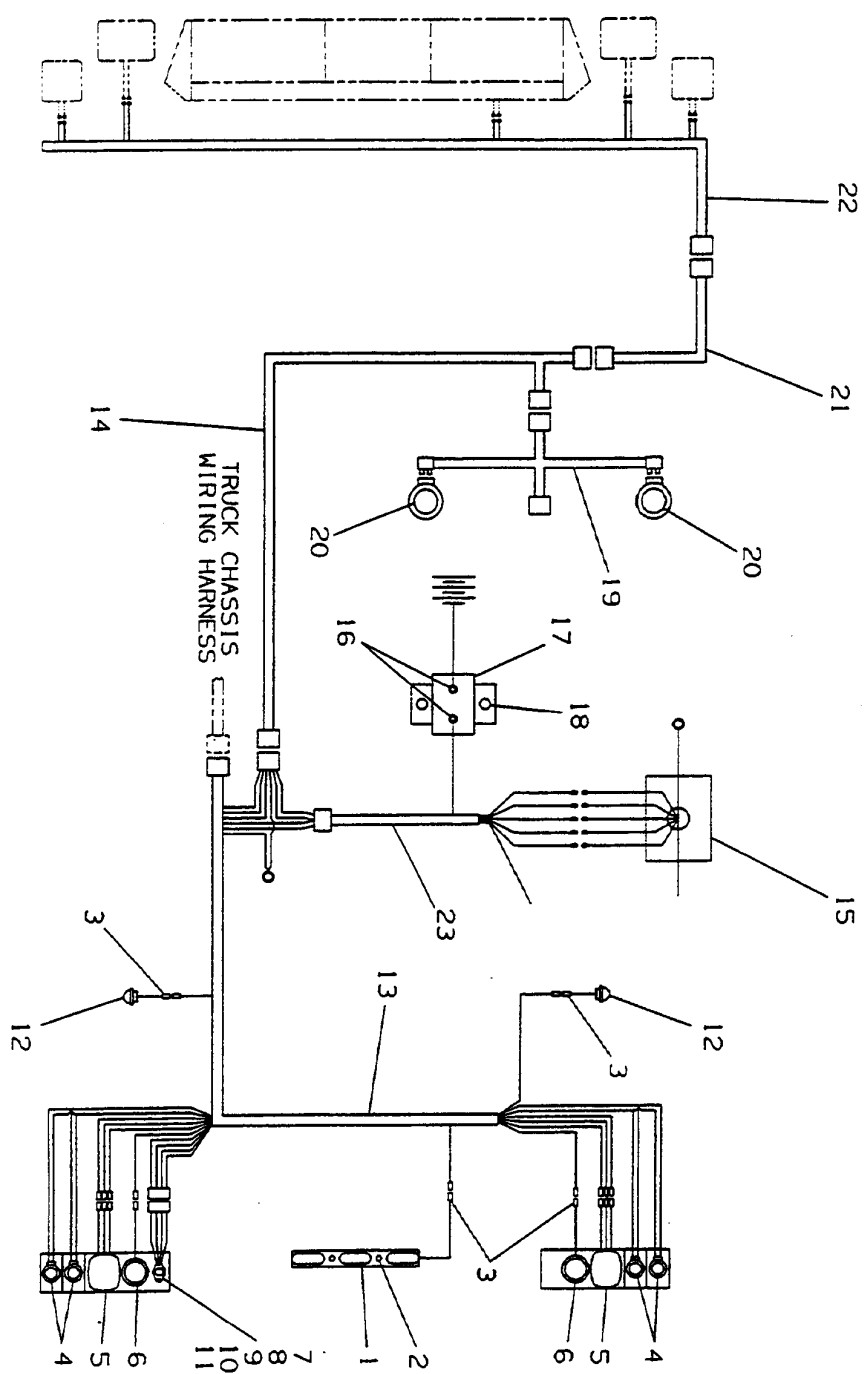
*Consult Factory for Foreign Chassis Components

**Consult Factory for Part Numbers and Quantities

PARTS LIST -- LIGHTS AND WIRING

Ref. No.	Part No.	Description	Qty.
1	7590000007	Bar Lamp	1
2	7790141056	Self-Tapping Screw	2
3	7345001703	Terminal Pin	16
4	7590000009	Red Light	4
5		Stop-Tail-Turn Light	2
6	7590000011	Work Light	2
7	7291000003	Female Receptacle	1
8	7111140613	Truss Head Screw	2
9	7660140000	Nut	2
10	7950140000	Lock Washer	2
11	7950140161	Flat Washer	2
12	7590000012	Light	2
13	7552000005	Wiring Harness	1
14	7552000007	Wiring Harness (Units without Emergency Lights)	1
	7552000006	Wiring Harness (Units with Emergency Lights)	1
15	7870000017	Switch Box	1
16	7345211901	Terminal Ring	4
17	7457000004	Circuit Breaker	1
18	7790100856	Self-Tapping Screw	2
19	7552000021	Wiring Harness	1
20	7590000010	Amber Light	2
21	7552000009	Wiring Harness	1
22	7552000004	Wiring Harness	1
23	7552000010	Wiring Harness	1

LIGHTS AND WIRING



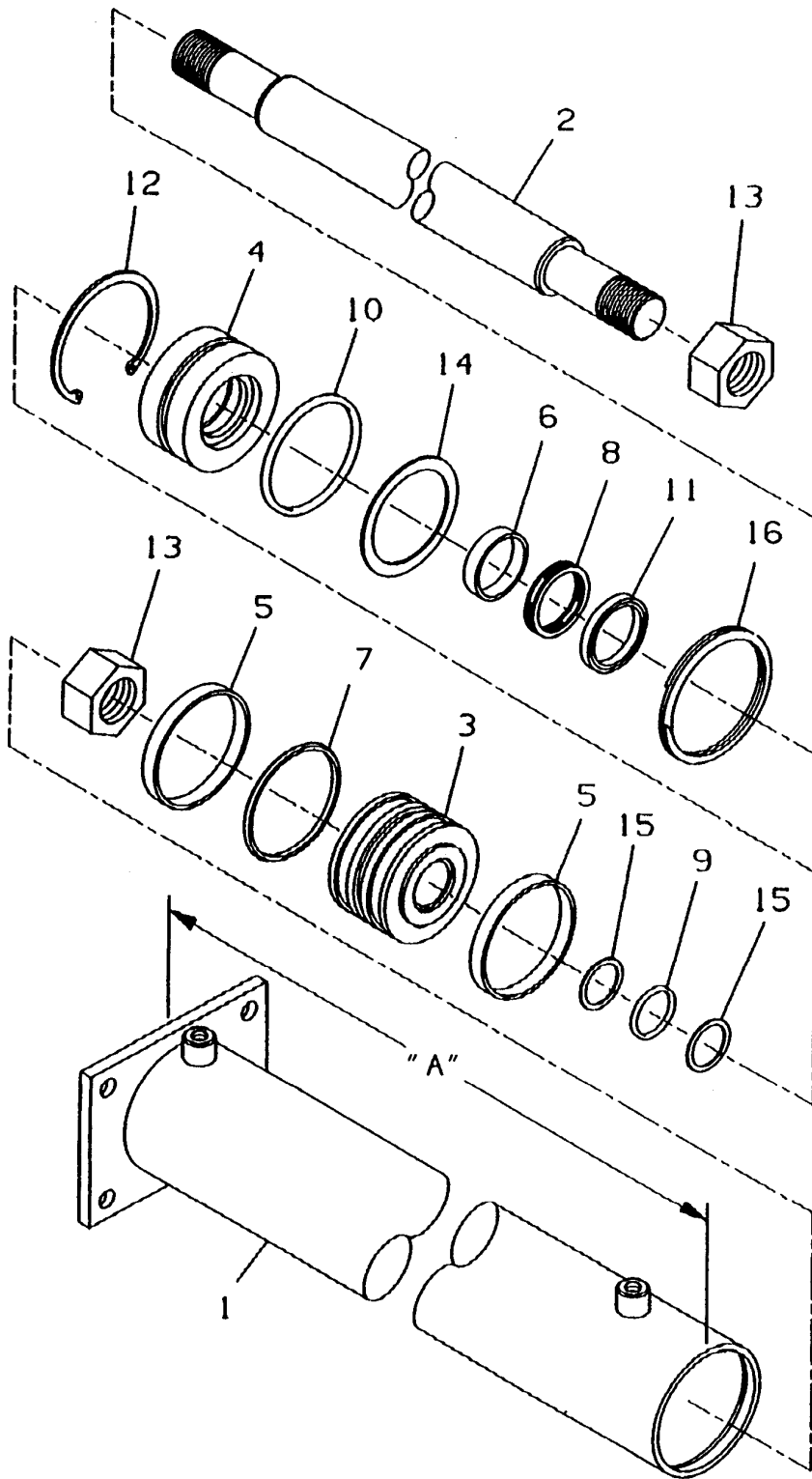
WIRE COLOR	FUNCTION
ORANGE	BEACON LIGHTS
PURPLE	FLOOD LIGHTS
BLUE	TRACTOR LIGHTS
BROWN	PARKING LIGHTS
RED	POWER (HOT)
GREY	EXTRA
BLACK	BACK-UP LIGHTS
GREEN	RIGHT TURN
YELLOW	LEFT TURN
WHITE	GROUND

5-375-000068-REV-1

4.30

Rev. _____
Date _____

**ROLLBACK CYLINDER
332000010**



**PARTS LIST -- ROLLBACK CYLINDER
332000010**

Ref. No.	Part No.	Description	Qty.
1	3071000010	Barrel ("A" = 102.38)	1
2	4763000106	Rod ("A" = 109.50)	1
3	4698000007	Piston	1
4	4553000008	Head	1
5	7754000003*	Ring, Wear	2
6	7754000004*	Ring, Wear	1
7	7796000006*	Seal, Piston	1
8	7796000024*	Seal, Rod	1
9	7755224000*	"O" Ring	1
10	7755334000*	"O" Ring	1
11	7796000008*	Seal, Rod Wiper	1
12	7754000002*	Ring, Retaining	1
13	7660262031	Locknut	2
14	7755334609*	Ring, Back-up	1
15	7755224609*	Ring, Back-up	2
16	7754000026	Ring, Retaining	1

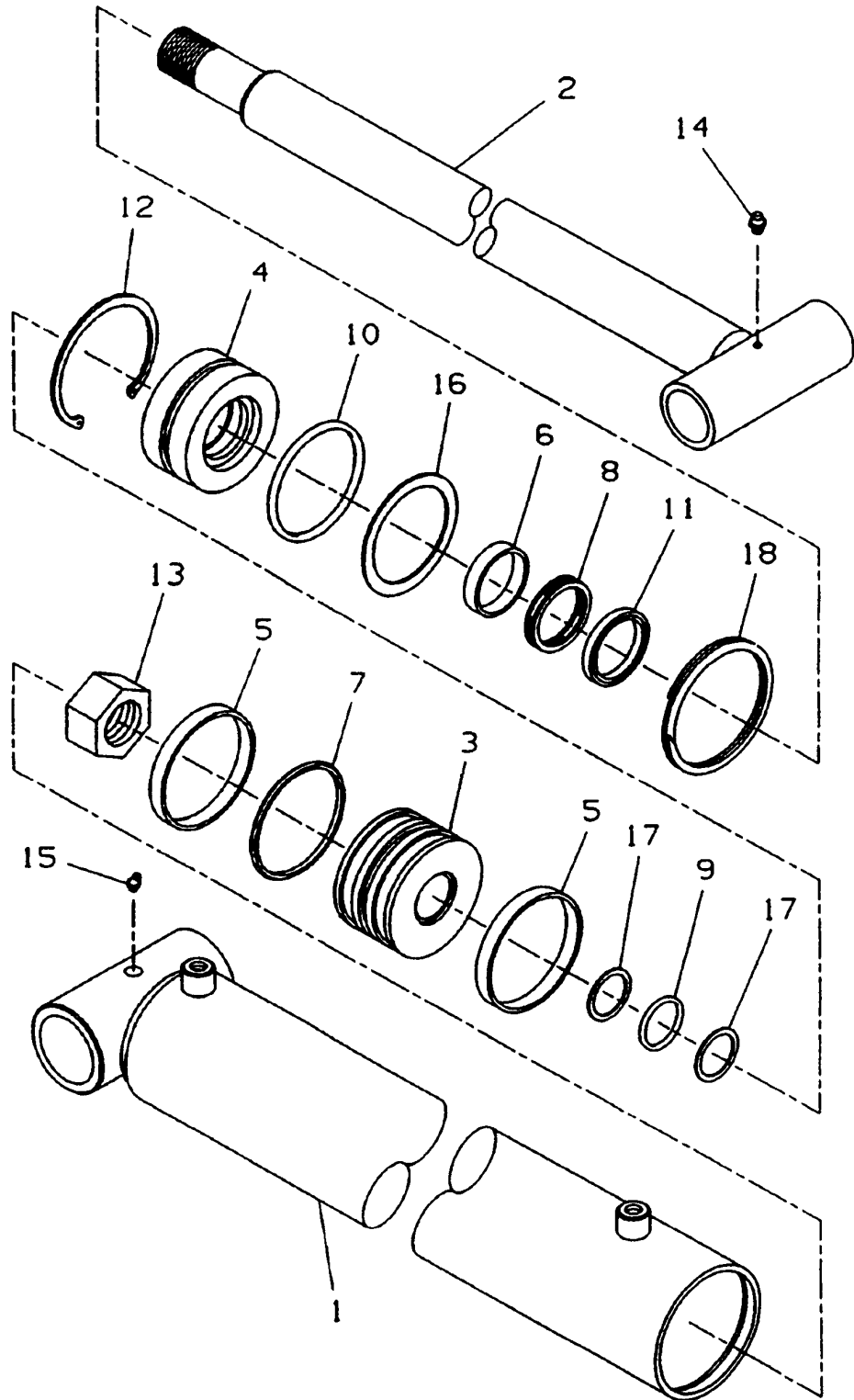
*Available only in service kit #7577250024

**PARTS LIST -- TILT CYLINDER
332000009**

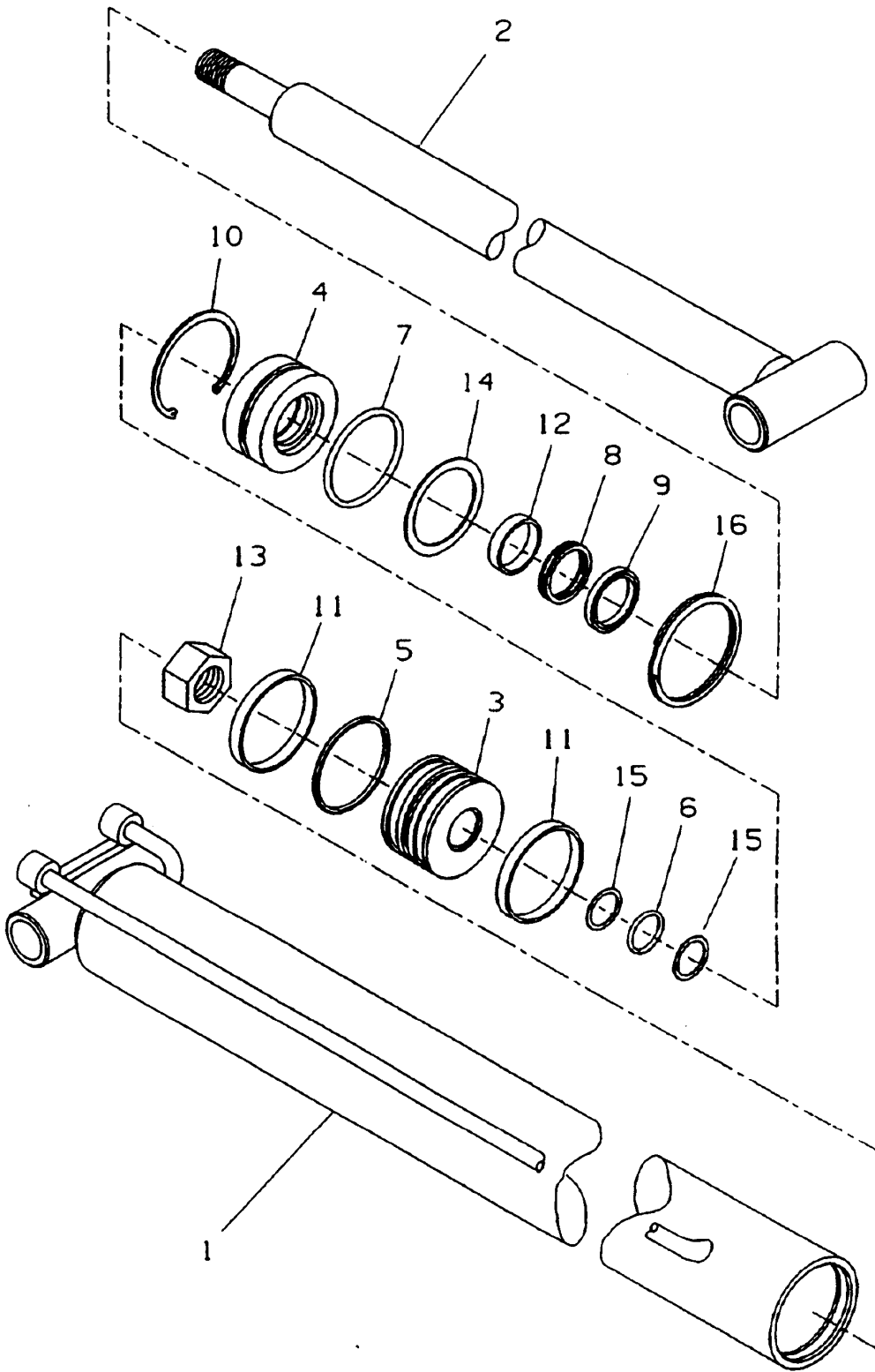
Ref. No.	Part No.	Description	Qty.
1	3071000009	Barrel Weldment	1
2	3763000033	Rod	1
3	4698000007	Piston	1
4	4553000008	Head	1
5	7754000003*	Ring, Wear	2
6	7754000004*	Ring, Wear	1
7	7796000006*	Seal, Piston 'T'	1
8	7796000024*	Seal, Rod	1
9	7755224000*	"O" Ring	1
10	7755334000*	"O" Ring	1
11	7796000008*	Seal, Rod Wiper	1
12	7754000002*	Ring, Retaining	1
13	7660262031	Locknut	1
14	7440000000	Fitting, Grease	1
15	7440000200	Fitting, Grease 45°	1
16	7755334609*	Ring, Back-up	1
17	7755224609*	Ring, Back-up	2
18	7754000026*	Ring, Retaining	1

*Available only in service kit #7577250024

**TILT CYLINDER
332000009**



TOW BAR CYLINDER
3320000013
3320000020



**PARTS LIST -- TOW BAR CYLINDER
3320000013**

Ref. No.	Part No.	Description	Qty.
1	3071000014	Barrel	1
2	3763000034	Rod	1
3	4698000011	Piston	1
4	4553000011	Head	1
5	7796000026*	Seal, Piston	1
6	7755214000*	"O" Ring	1
7	7755327000*	"O" Ring	1
8	7796000023*	Seal, Rod	1
9	7796000005*	Seal, Wiper	1
10	7754000001*	Ring, Retaining	1
11	7796000030*	Ring, Wear	2
12	7754000036*	Ring, Wear	1
13	7660202031	Locknut	1
14	7755327609*	Ring, Back-up	1
15	7755214609*	Ring, Back-up	2
16	7754000025*	Ring, Retaining	1

*Available only in service kit #7577250023

**PARTS LIST -- TOW BAR CYLINDER
3320000020**

Ref. No.	Part No.	Description	Qty.
1	3071000020	Barrel	1
2	3763000035	Rod	1
3	4698000007	Piston	1
4	4553000008	Head	1
5	7796000006*	Seal, Piston	1
6	7755224000*	"O" Ring	1
7	7755334000*	"O" Ring	1
8	7796000024*	Seal, Rod	1
9	7796000008*	Seal, Wiper	1
10	7754000002*	Ring, Retaining	1
11	7754000003*	Ring, Wear	2
12	7754000004*	Ring, Wear	1
13	7660262031	Locknut	1
14	7755334609*	Ring, Back-up	1
15	7755224609*	Ring, Back-up	2
16	7754000026*	Ring, Retaining	1

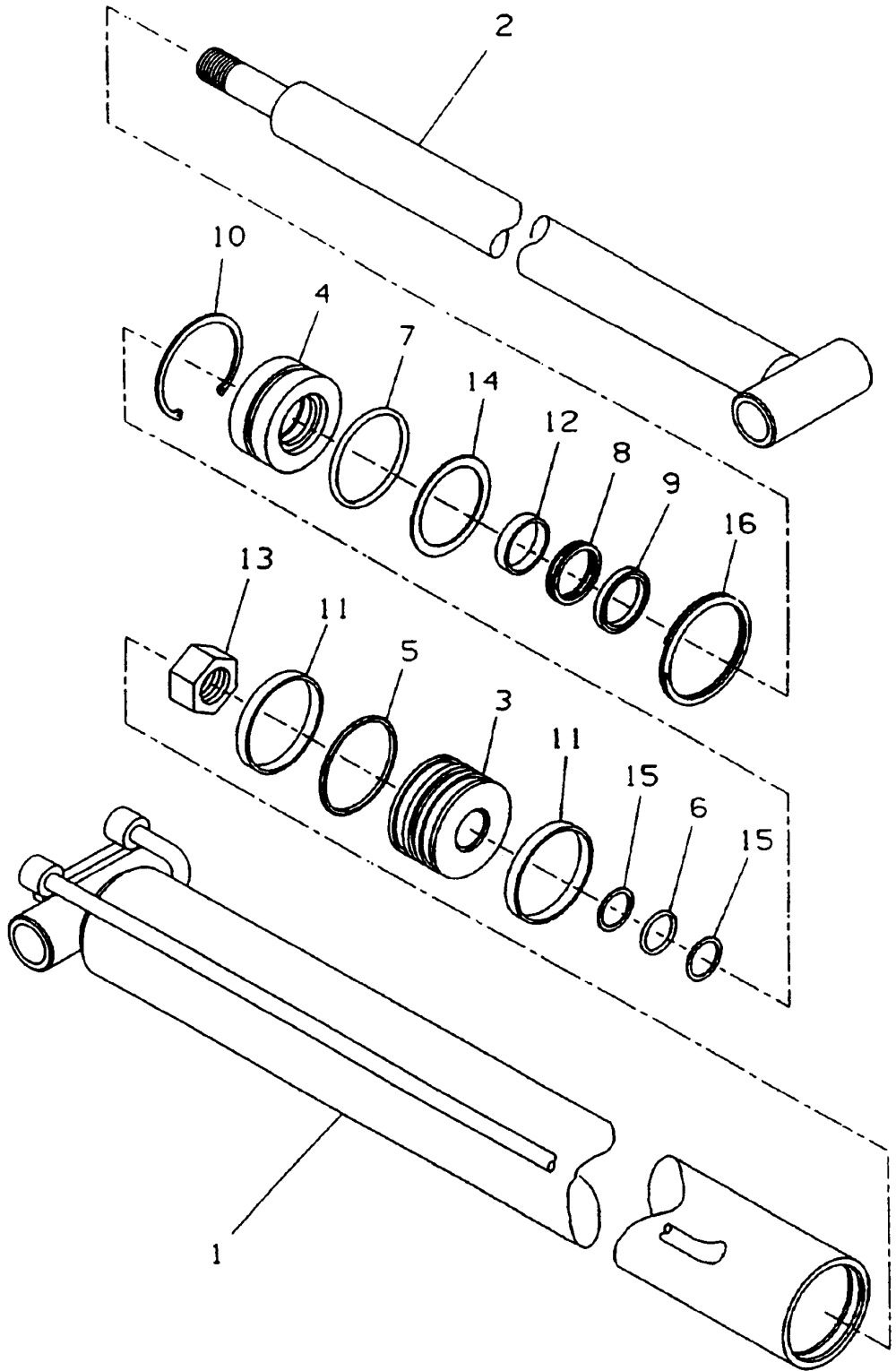
*Available only in service kit #7577250024

**PARTS LIST -- WHEEL LIFT TOW BAR CYLINDER
332000021**

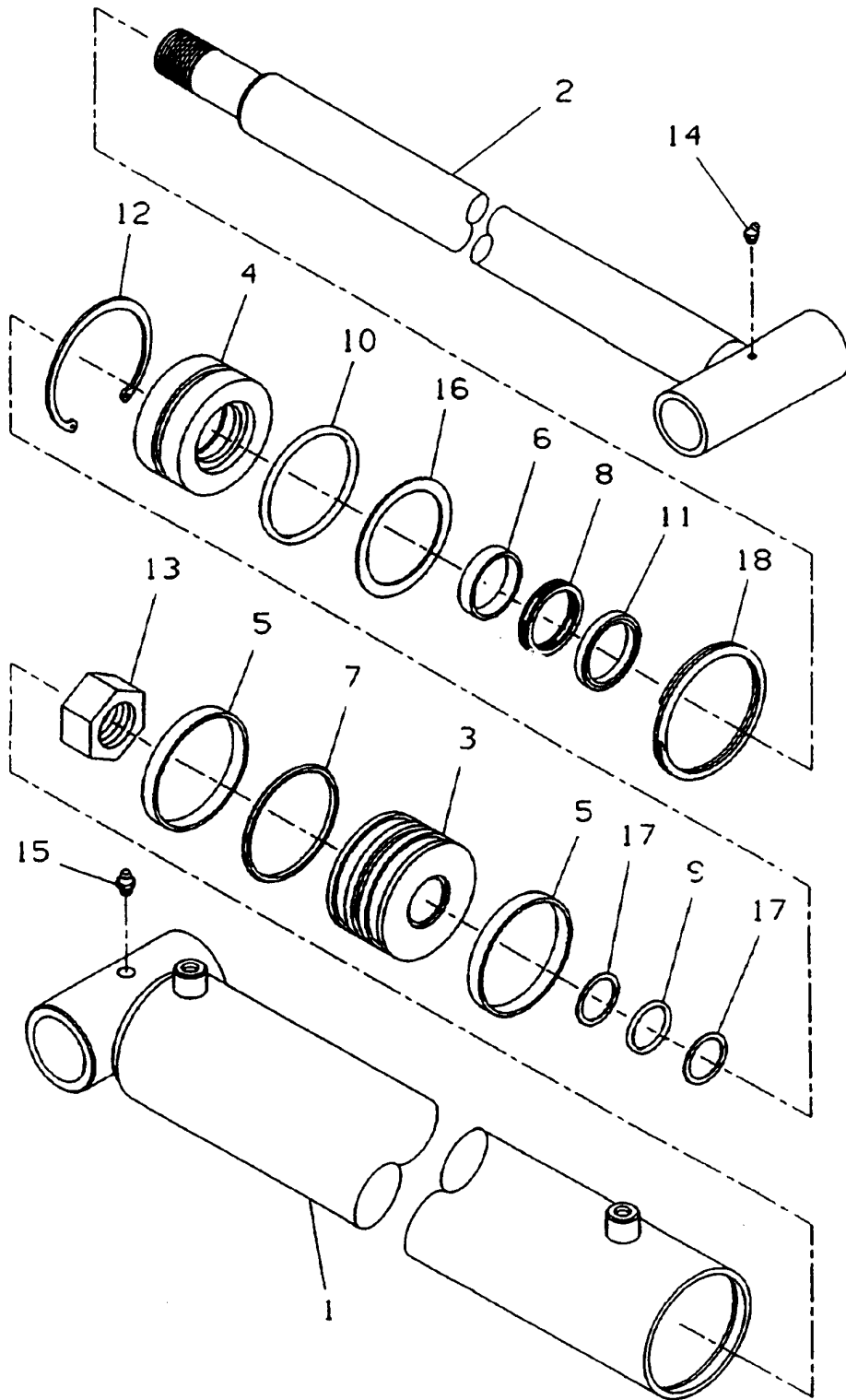
Ref. No.	Part No.	Description	Qty.
1	3071000021	Barrel	1
2	3763000036	Rod	1
3	4698000007	Piston	1
4	4553000008	Head	1
5	7796000006*	Seal, Piston 'T'	1
6	7755224000*	"O" Ring	1
7	7755334000*	"O" Ring	1
8	7796000024*	Seal, Rod	1
9	7796000008*	Seal, Rod Wiper	1
10	7754000002*	Ring, Retaining	1
11	7754000003*	Ring, Wear	1
12	7754000004*	Ring, Wear	1
13	7660262031	Locknut	1
14	7755334609*	Ring, Back-Up	1
15	7755224609*	Ring, Back-Up	2
16	7754000026*	Ring, Retaining	1

*Available only in service kit #7577250024

**WHEEL LIFT TOW BAR CYLINDER
332000021**



**IRL CYLINDER
3320000041**



**PARTS LIST -- IRL CYLINDER
3320000041**

Ref. No.	Part No.	Description	Qty.
1	3071000040	Barrel	1
2	3763000053	Rod	1
3	4698000007	Piston	1
4	4698000008	Head	1
5	7754000003*	Ring, Wear	2
6	7754000004*	Ring, Wear	1
7	7796000006*	Seal, Piston "T"	1
8	7796000024*	Seal, Rod	1
9	7755224000*	"O" Ring	1
10	7755334000*	"O" Ring	1
11	7796000008*	Seal, Wiper	1
12	7754000002*	Ring, Retaining	1
13	7660262031	Nut, Lock	1
14	7440000200	Fitting, Grease 45°	1
15	7440000000	Fitting, Grease	1
16	7755334609*	Ring, Back-up	1
17	7755224609*	Ring, Back-up	2
18	7754000026*	Ring, Retaining	1

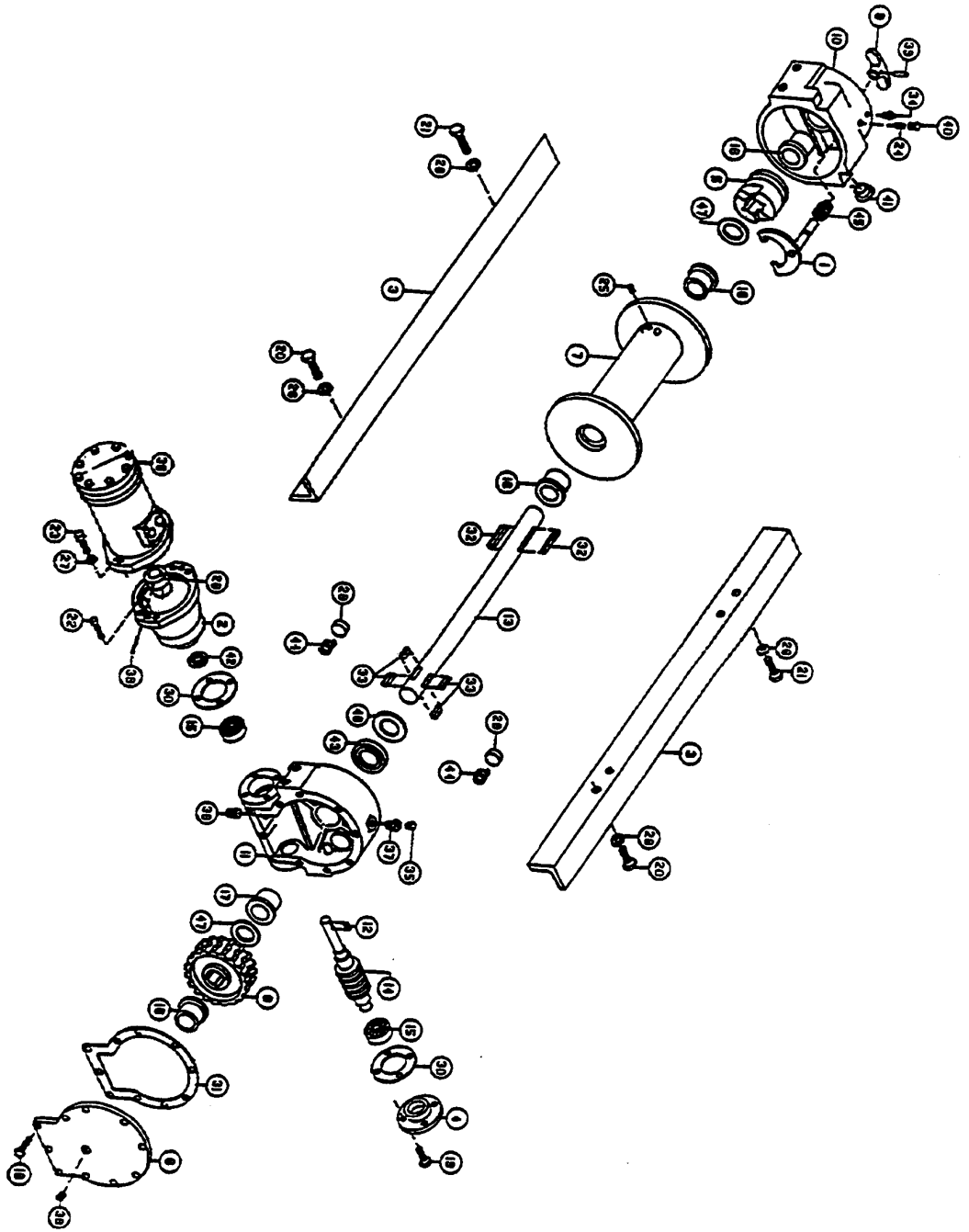
* Available only in service kit #7577250024

PARTS LIST -- MODEL H-200 RAM-LOK

Ref. No.	Part No.	Description	Qty.
1	276028	Shifter Assembly	1
2	300057	Adapter	1
3	302809	Angle-Std.	2
	302810	Angle-Y	2
4	316083	Bearing Cap	1
5	324160	Jaw Clutch	1
6	328134	Cover	1
7	332007	Drum-"Y"	1
	332105	Drum-"Std."	1
8	334161	Gear R.H. 60:1	1
	334163	Gear R.H. 46:1	1
	334165	Gear R.H. 30:1	1
9	336010	Handle	1
10	338208	Housing-Clutch	1
11	338273	Housing-Gear	1
12	342027	Key	1
13	357479	Shaft-Drum-"Std"	1
	357481	Shaft-Drum-"Y"	1
14	368002	Worm R.H. 46:1	1
	368007	Worm R.H. 60:1	1
	368011	Worm R.H. 30:1	1
15	402002	Bearing-Ball	2
16	412003	Bushing	4
17	412045	Bushing	1
18	414038	Capscrew 1/4- 20NCx3/4 LG.	10
19	414045	Capscrew 1/4- 20NCx7/8 LG.	4
20	414279	Capscrew 3/8- 16NCx3/4 LG.	2
21	414282	Capscrew 3/8- 16NCx1-1/4 LG.	6
22	414842	Capscrew 1/4- 20NCx1-3/4 LG.	4
23	414952	Capscrew 1/2- 13NCx1-1/2 LG.	2
24	416030	Setscrew 1/4- 20NCx3/8 LG.	1
25	416059	Setscrew 3/8- 16NCx1/2 LG.	1
26	418177	Lockwasher 3/8	8
27	418218	Lockwasher 1/2	2
28	431008	Coupling	1
29	438014	Disc-Brake	2
30	442184	Gasket	2
31	442205	Gasket	1
32	450006	Key-Barth	2
33	450016	Key-Barth	4
34	456001	Fitting-Lube	1
35	456008	Fitting-Relief	1
36	458050	Motor-Hyd.	1
37	468002	Reducer	1
38	468011	Pipe Plug	2
39	470033	Spirol Pin	2
40	472012	Plug-Rubber	1
41	472013	Plastic Plug	1
42	486009	Oil Seal	1
43	486017	Oil Seal	1
44	494002	Spring	2
45	494053	Spring	1
46	518014	Thrust Washer	1
47	518015	Thrust Washer	2

Rev. _____
Date _____

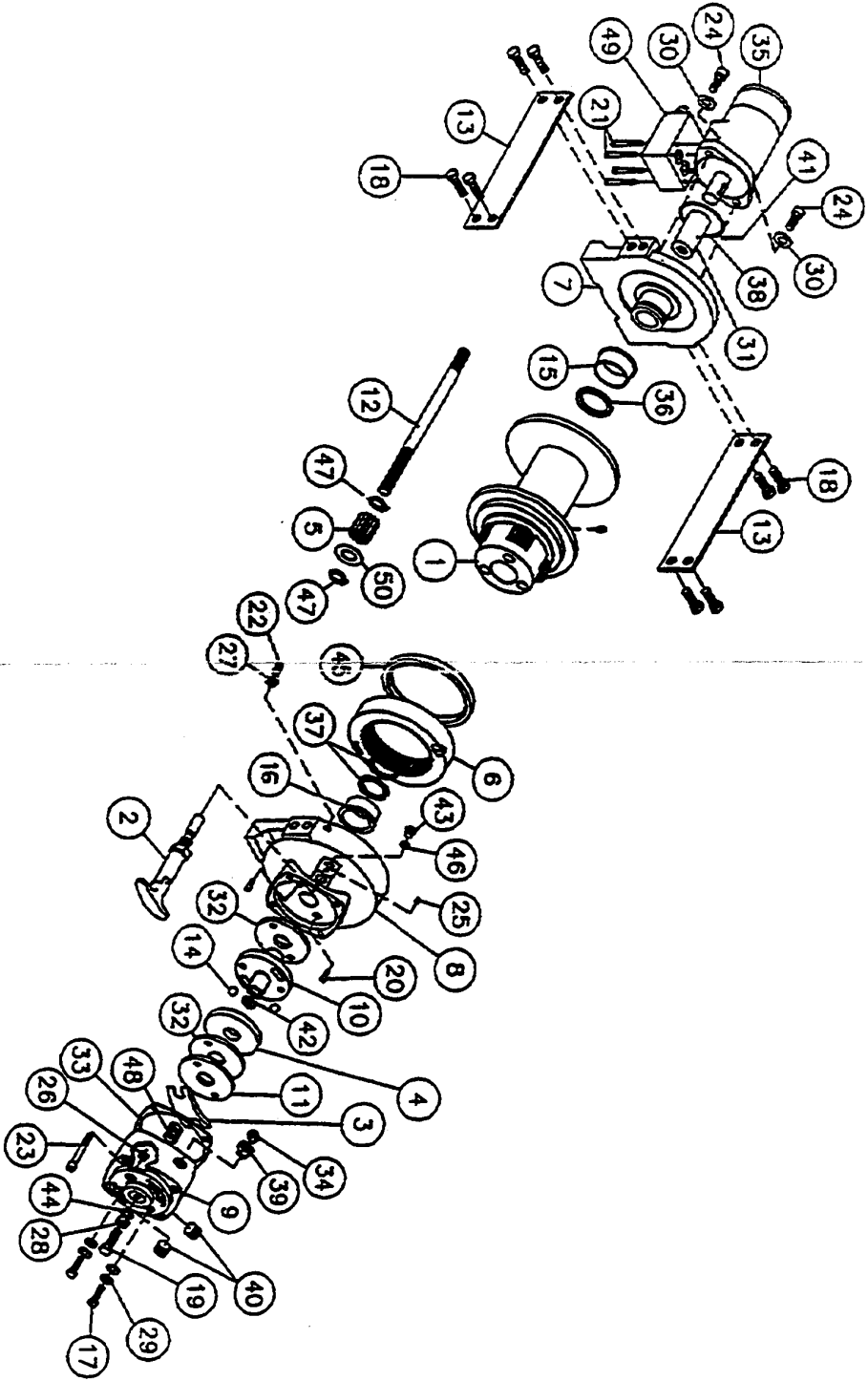
**WINCH ASSEMBLY
8000# WORM GEAR**



4.42

Rev. _____
Date _____

**WINCH ASSEMBLY
8000# PLANETARY GEAR**



PARTS LIST -- RPH 8000 WITH MANUAL CLUTCH SHIFTER

Ref. No.	Part No.	Description	Qty.
1	234165	Drum Ass'y "Y"	1
2	276048	Shifter Ass'y	1
3	306035	Spring-Flat Brk.	1
4	314015	Cam Plate-Brake	1
5	334174	Gear-Output, Sun	1
6	334175	Gear-Ring	1
7	338286	End Bearing-Motor	1
8	338287	Housing-Gear, End Bearing	1
9	338288	Housing-Brake	1
10	340074	Hub-Brake	1
11	352021	Retainer Plate	1
12	357489	Shaft-Input "Y"	1
13	395163	Tie Plate "Y"	2
14	400007	Ball	2
15	412084	Bushing-Drum, Motor End	1
16	412085	Bushing-Drum, Gear	1
17	414273	Capscrew 3/8-16NC x 1-3/4 LG.	2
18	414581	Capscrew 1/2-13NC x 3/4 LG.	8
19	414622	Capscrew 1/2-13NC x 2-1/4 LG.	1
20	414836	Capscrew 1/4-20NC x 1/2 LG.	2
21	414868	Capscrew 5/16-18NC x 2-1/2 LG.	4
22	414926	Setscrew 3/8-16NC x 1 LG.	1
23	414934	Capscrew 3/8-16NC x 2-3/4 LG.	4
24	414948	Capscrew 1/2-13NC x 1-1/4 LG.	2
25	416030	Setscrew 1/4-20NC x 3/8 LG.	1
26	418034	Nut 3/8 - 16NC	2
27	418036	Nut 3/8-16NC	1
28	418061	Nut 1/2-13NC	1
29	418184	Washer 3/8 ID	4
30	418218	Lockwasher 1/2 ID	2
31	431013	Coupling-Hyd. Motor	1
32	438018	Plate-Brake	2
33	442212	Gasket-Brk. Hsg.	1
34	456008	Relief Fitting	1
35	458074	Motor-Hydraulic	1
		(For Model with Counterbalance Valve)	
	458075	Motor-Hydraulic	1
		(For Model without Counterbalance Valve)	
36	462046	O-Ring	1
37	462047	Quad-Ring	2
38	462048	O-Ring	1
39	468002	Reducer	1
40	468018	Pipe Plug	2
41	470033	Spirol Pin	1
42	472051	Plug	1
43	472052	Plug	1
44	486076	Seal	1
45	486080	Seal-Gear Hsg.	1
46	488008	Shim	1
47	490003	Snap Ring	2
48	494010	Spring	1
49	516008	Valve-Counterbalance ("A" Rotation)	1
	516009	Valve-Counterbalance ("B" Rotation)	1
50	518047	Washer-Thrust	1

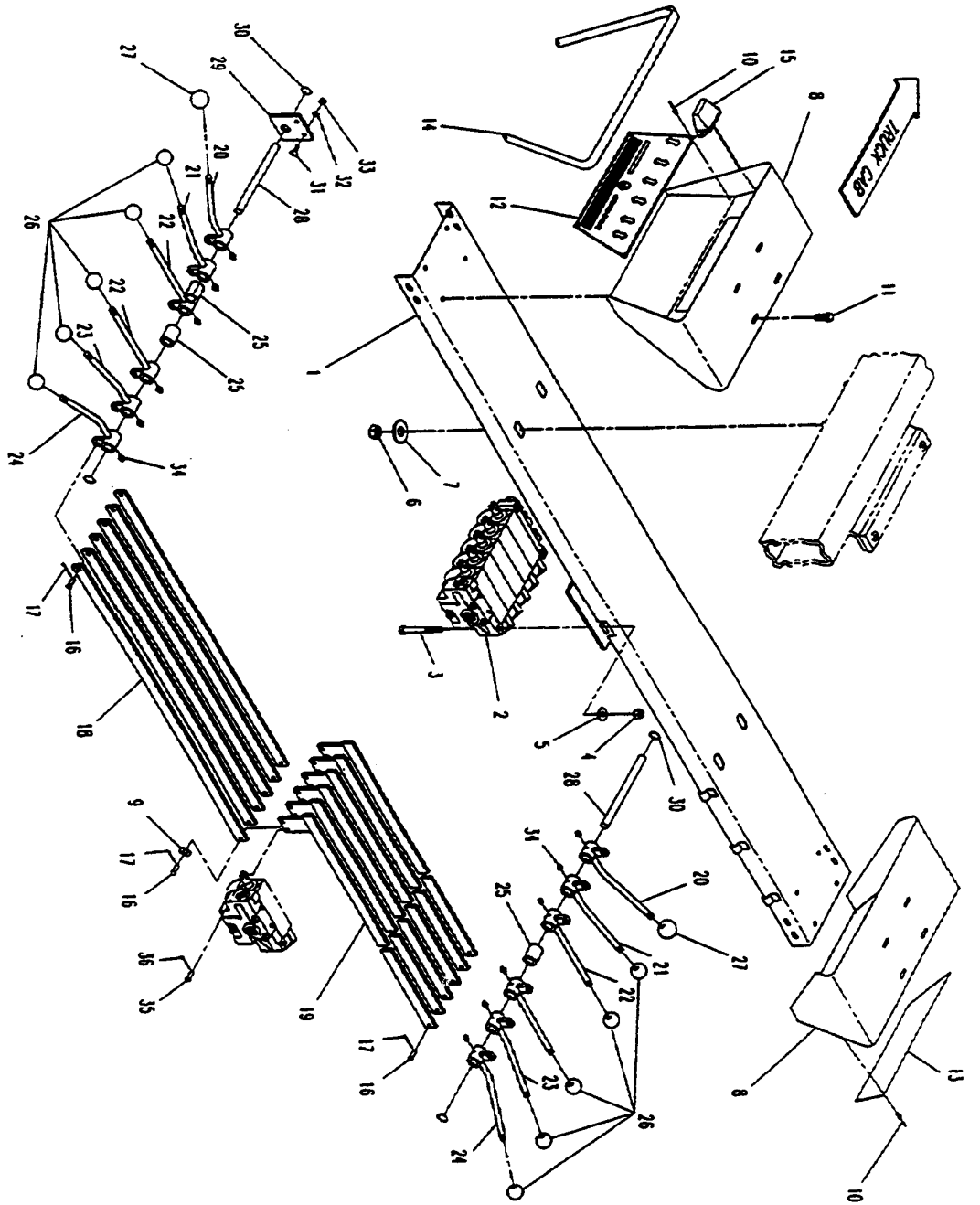
Rev. _____
Date _____

PARTS LIST – RTL DUAL CONTROLS (ZOD)

Ref. No.	Part No.	Description	Qty.
1	3177000037	Controls Support Weldment	1
2	4935000056	Control Valve (6 Bank)	1
3	7111163250	Hex Head Capscrew	3
4	7660161605	Locknut	3
5	7950160151	Flat Washer	3
6	7660181600	Locknut	4
7	7950180161	Flat Washer	4
8	3560000005	Control Hood	2
9	7949000011	Flat Washer	6
10	7759000004	Pop Rivet	8
11	7115150625	Machine Screw	8
12	7330000219	L.H. Control Placard	1
13	7330000220	R.H. Control Placard	1
14	4632000004	Trim Molding	2
15	7590000087	Light	2
16	7690151200	Clevis Pin	18
17	7690021610	Cotter Pin	18
18	4763000123	Control Rod	18
19	3763000050	Control Rod	18
20	3551000013	Handle Weldment	2
21	3551000001	Handle Weldment	2
22	3551000017	Handle Weldment	4
23	3551000002	Handle Weldment	2
24	3551000012	Handle Weldment	2
25	4209000135	Bushing	2
26	7551000002	Black Knob	10
27	7551000003	Red Knob	2
28	4691000263	Pin	2
29	4606000065	Lug	4
30	7754000009	Retaining Ring	4
31	7111150864	Bolt	8
32	7950150000	Lock Washer	8
33	7660152601	Locknut	8
34	7440030000	Grease Fitting	12
35	7690141200	Clevis Pin	6
36	7690000810	Cotter Pin	6

Rev. 2

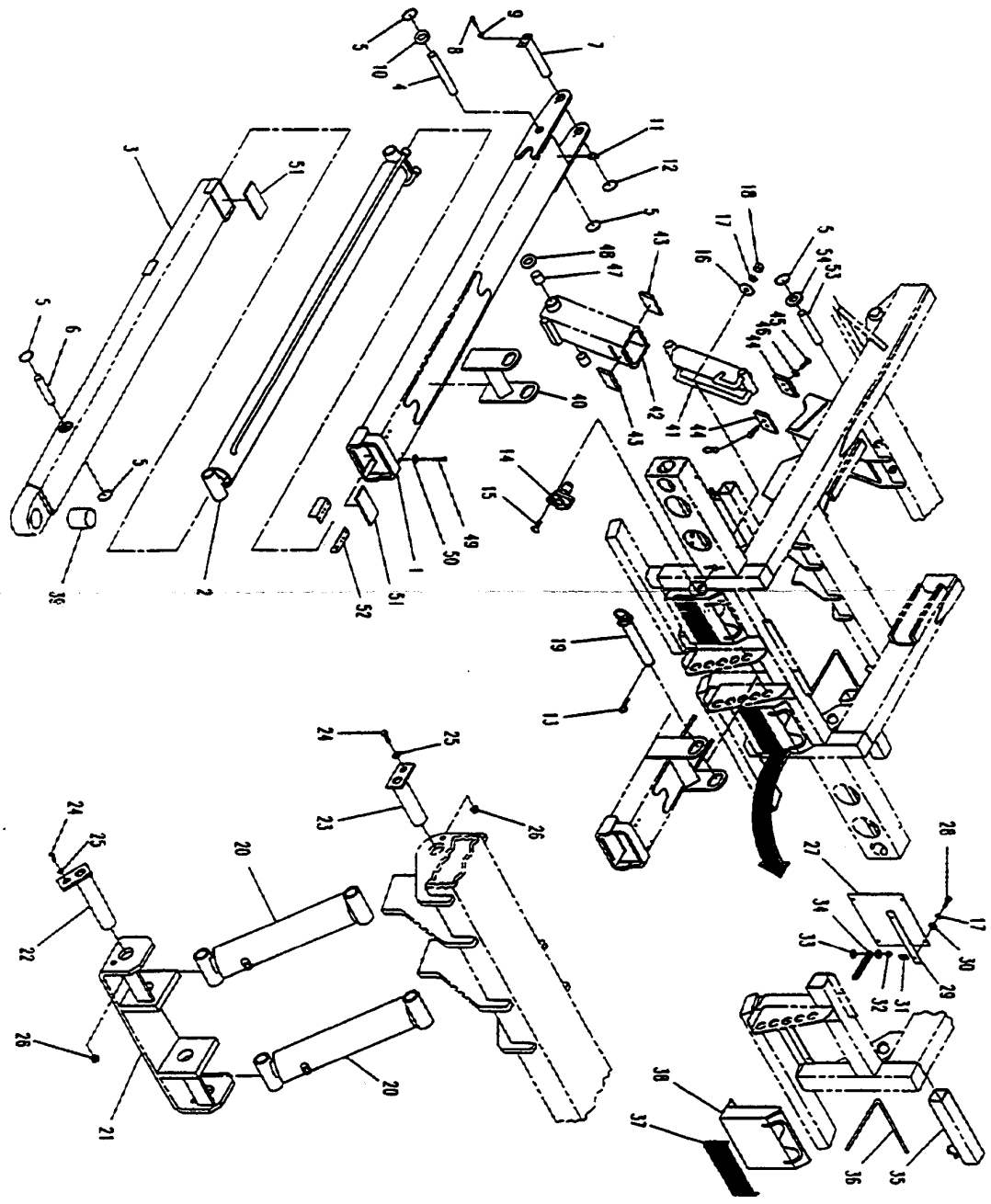
Date 11-15-97



4.46

Rev. 2
Date 11-16-97

**3500# HYDRAULIC WHEEL LIFT TOW BAR
WITH RTL (ZOD)**



1.47

Rev. 2
Date 11-15-97

**PARTS LIST -- 3500# HYDRAULIC WHEEL LIFT TOW BAR
WITH RTL (ZOD)**

Ref. No.	Part No.	Description	Qty.
1	3911000039	Outer Tube Weldment	1
2	3320000056	Tow Bar Cylinder	1
3	3911000040	Inner Tube Weldment	1
4	4691000267	Pin	1
5	7754000006	Retaining Ring	6
6	4691000268	Pin	1
7	3691000142	Pin	1
8	7115160650	Capscrew	3
9	7950160161	Flat Washer	1
10	7949000026	Washer	2
11	7440030000	Grease Fitting	1
12	7754000014	Retaining Ring	1
13	7691000001	Hair Pin	1
14	7291000003	Female Receptacle	1
15	7111140613	Truss Head Screw	2
16	7950140161	Flat Washer	2
17	7950140000	Lock Washer	10
18	7660140000	Hex Nut	2
19	3691000097	Pin Weldment	1
20	3320000054	Cylinder	2
21	3178000236	Bracket Weldment	1
22	3691000141	Pin Weldment	2
23	3691000073	Pin Weldment	2
24	7118151250	Capscrew	4
25	7950150161	Flat Washer	4
26	7660152601	Lock Nut	4
27	4811000030	Back Plate	2
28	7115140850	Capscrew	8
29	4062000108	Bar	4
30	7950140152	Flat Washer	8
31	7661000019	Clip Nut	8
32	7660172600	Locknut	2
33	7950160252	Flatwasher	4
34	7262000020	Chain Assembly	2
35	3913000043	L-Arm Storage Tube	2
36	4495000007	Hose Guard	1
37	7679000008	Chain Rub Pad	2
38	7706001412	Chain Pocket	2
39	7209000028	Bushing	1
40	3606000019	Lug Weldment	1
41	3320000055	Cylinder	1
42	3913000053	Inner Tube Weldment	1
43	4679000134	Wear Pad	2
44	7679000014	Wear Pad	2
45	7115161050	Capscrew	2
46	7949000028	Flat Washer	2
47	7211000004	Bushing	2
48	7949000008	Washer	3
49	7118140418	Capscrew	4
50	7950100151	Flat Washer	4
51	4679000046	Wear Pad	2
52	4017000739	Guide	2
53	4691000265	Pin	1
54	7949000026	Washer	2

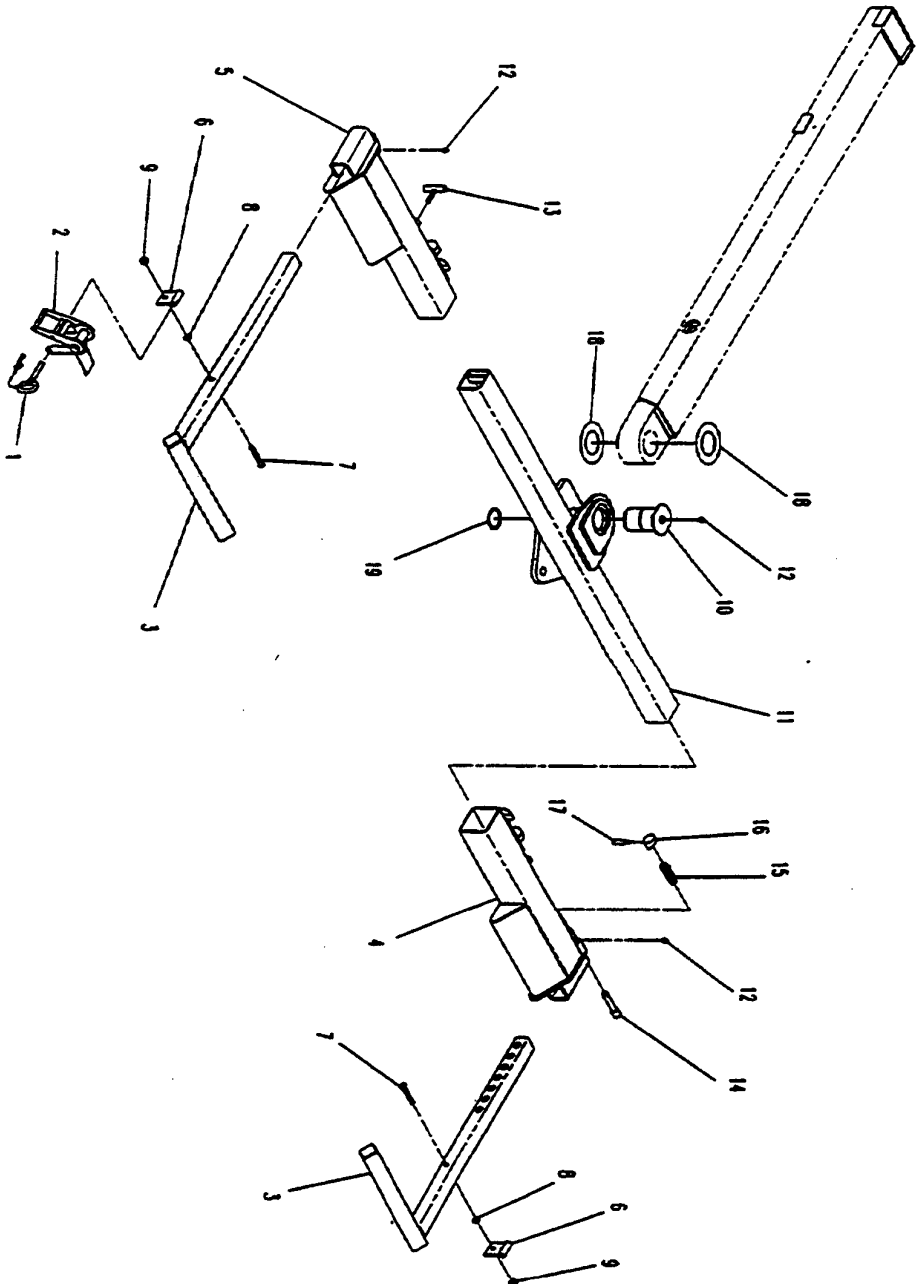
Rev. 2
Date 11-15-97

**PARTS LIST -- HYDRAULIC TOW BAR WHEEL GRID ASSEMBLY
(ZOD)**

Ref. No.	Part No.	Description	Qty.
1	7691000011	Hitch Pin	2
2	7894000002	Tie Down Strap	2
3	3511880049*	L-Arm	2
4	3511880080	R.H. Grid Weldment	1
5	3511880081	L.H. Grid Weldment	1
6	3178000001*	Anchor Bracket	2
7	7118182418*	Button Head Capscrew	2
8	7950180153*	Flat Washer	2
9	7660181630*	Hex Locknut	2
10	4691000103	Pin	1
11	3913000054	Pivot Pin	1
12	7440030000	Grease Fitting	2
13	3551000026	T-Handle	2
14	4691000188	Pin	2
15	7843000006	Spring	2
16	4254000006	Cap	2
17	4763000184	Rod	2
18	4949000047	Nylatron Washer	2
19	7754000024	Retaining Ring	1

*Also available in L-Arm Replacement Kit #9577000002

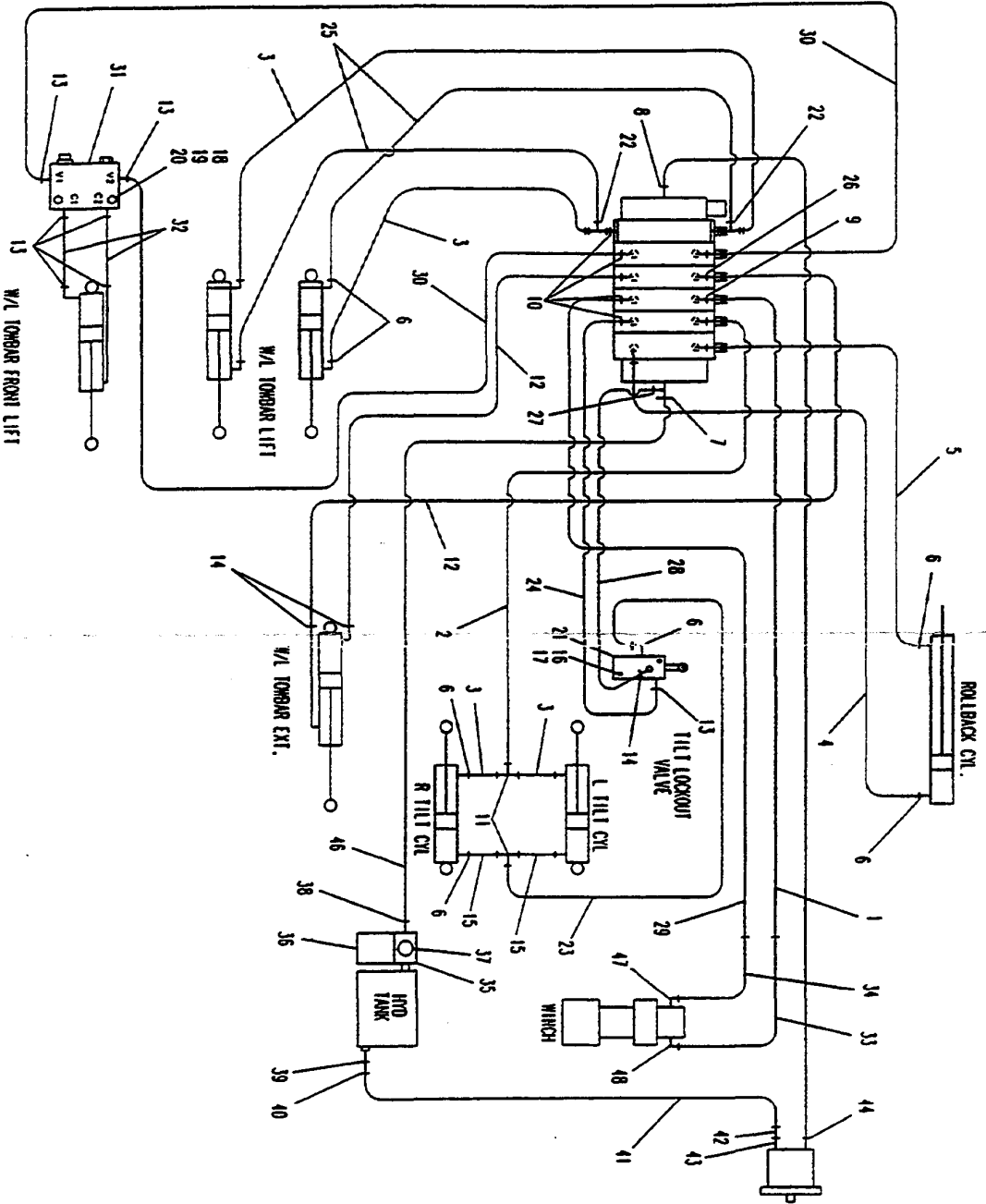
HYDRAULIC TOW BAR WHEELGRID ASSEMBLY (ZOD)



4.50

Rev. 2
Date 11-15-97

HYDRAULIC COMPONENTS (ZOD)



4.51

Rev. 2
Date 11-16-97

**PARTS LIST – HYDRAULIC COMPONENTS
HYDRAULIC TOWBAR WITH RTL (ZOD)**

Ref. No.	Part No.	Description	Qty.
1	4569433122	Winch Hose	1
2	4567122100	Tilt Supply Hose	1
3	4567120038	Tilt Rod/Towbar Lift Hose	4
4	4567123104	Rollback Base Hose	1
5	4567122047	Rollback Rod Hose	1
6	7445060645	90° Elbow	11
7	4443000003	90° Adapter	1
8	7445081245	90° Elbow	1
9	7445081043	Straight Adapter	2
10	7445061043	Straight Adapter	8
11	7445060637	Tee	2
12	4567112038	Tow Bar Ext. Hose	1
13	7445060643	Straight Adapter	7
14	7445040445	90° Elbow	3
15	4567120020	Tilt Base Hose	2
16	7115161850	Capscrew	2
17	7660162301	Locknut	2
18	7115151650	Capscrew	2
19	7660152601	Locknut	2
20	7950150161	Flat Washer	2
21	7935000125	Tilt Lockout Valve	1
22	7443000030	Tee	2
23	4567122034	Tilt Supply Hose	1
24	4570000064	Tilt Supply Hose	1
25	4567122034	Tow Bar Lift Hose	2
26	7445041043	Straight Adapter	2
27	7445040219	Straight Adapter	1
28	4570000081	Return Hose	1
29	4569432120	Winch Hose	1
30	4567122024	Tow Bar Lift Supply Hose	2
31	7935000011	Valve	1
32	7912000038	Hydraulic Tube	2
33	7912000042	Hydraulic Tube (worm winch)	1
	7912000040	Hydraulic Tube (plan. winch)	1
34	7912000042	Hydraulic Tube (worm winch)	1
	7912000041	Hydraulic Tube (plan. winch)	1
35	7430000003	Filter Assembly	1
36	7431000001	Filter Element	1
37	7470000002	Gauge	1
38	**	Fitting	
39	**	Fitting	
40	**	Fitting	
41	**	Suction Hose	1
42	**	Fitting	
43	**	Fitting	
44	**	Fitting	
45	**	Pressure Hose	1
46	**	Return Hose	1
47	**	Fitting	
48	**	Fitting	

**Consult Factory for Part Numbers and Quantities

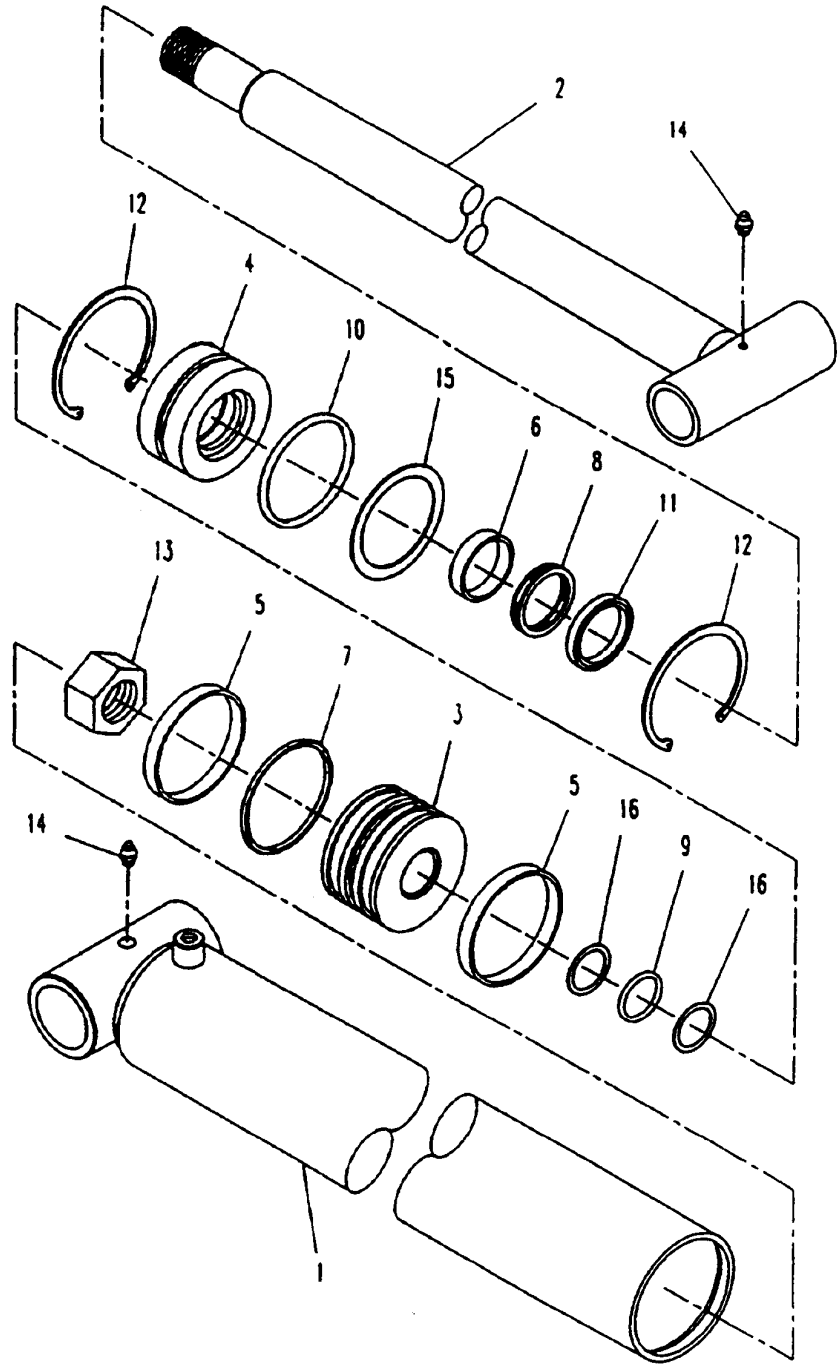
Rev. 2
Date 11-15-97

**PARTS LIST – RTL CYLINDER
3320000054**

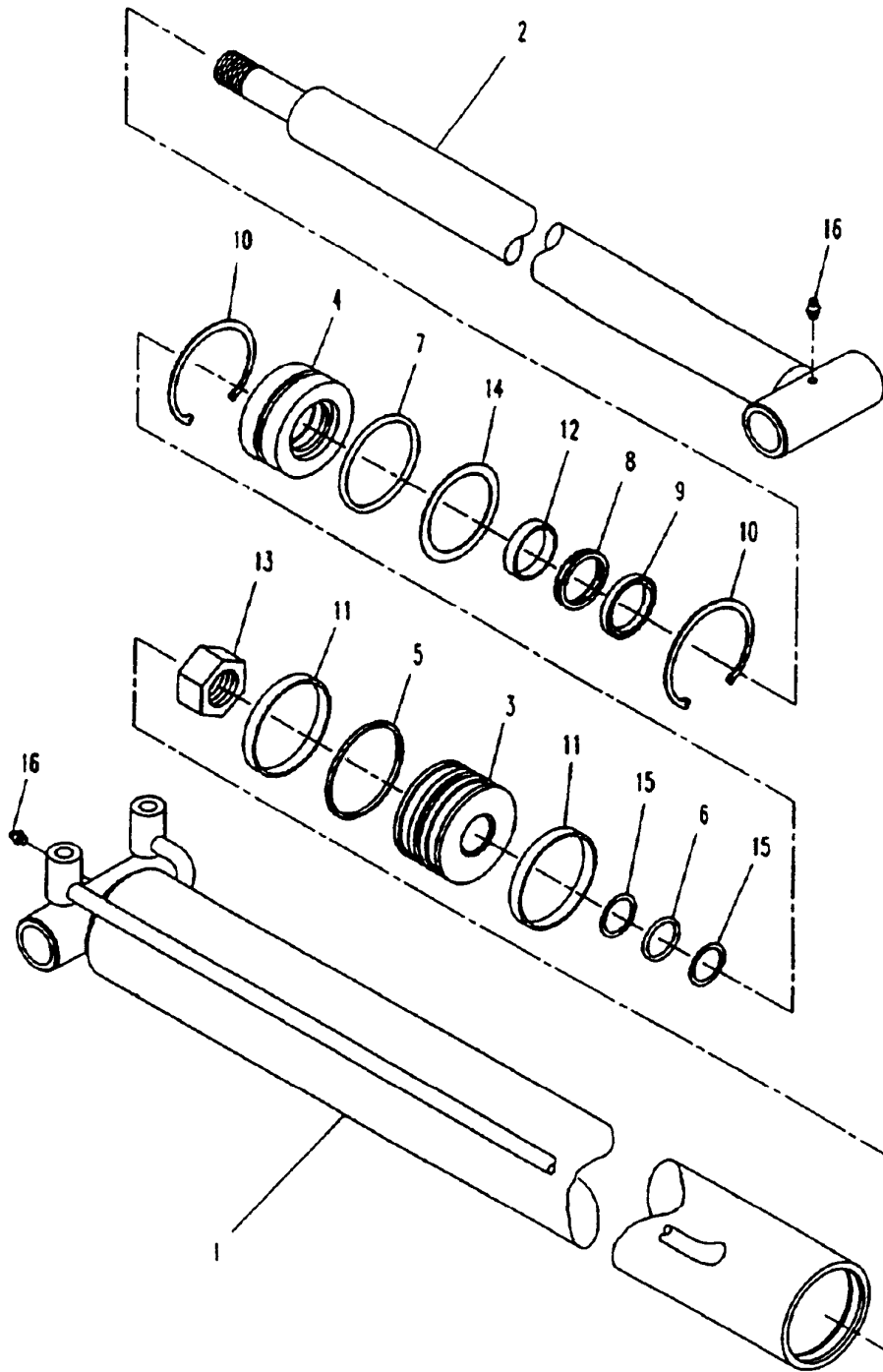
Ref. No.	Part No.	Description	Qty.
1	3071000050	Barrel	1
2	3763000072	Rod	1
3	4698000015	Piston	1
4	4553000016	Head	1
5	7754000053*	Ring, Wear	2
6	7754000054*	Ring, Wear	1
7	7796000044*	Seal, Piston "T"	1
8	7796000045*	Seal, Rod	1
9	7755222000*	"O" Ring	1
10	7755330000*	"O" Ring	1
11	7796000046*	Seal, Rod Wiper	1
12	7754000051*	Ring, Retaining	2
13	7660262031	Locknut	1
14	7440030000	Grease Fitting	2
15	7755330609*	Ring, Back-up	1
16	7755222609*	Ring, Back-up	2

*Available only in service kit #7577000183

RTL CYLINDER
332000054



TOWBAR CYLINDER (ZOD)
3320000056



**PARTS LIST – WHEEL LIFT TOWBAR CYLINDER (ZOD)
332000056**

Ref. No.	Part No.	Description	Qty.
1	3071000052	Barrel	1
2	3763000074	Rod	1
3	4698000015	Piston	1
4	4553000016	Head	1
5	7796000044*	Seal, Piston "T"	1
6	7755222000*	"O" Ring	1
7	7755330000*	"O" Ring	1
8	7796000045*	Seal, Rod	1
9	7796000046*	Seal, Rod Wiper	1
10	7754000051*	Ring, Retaining	2
11	7754000053*	Ring, Wear	2
12	7754000054*	Ring, Wear	1
13	7660262031	Locknut	1
14	7755330609*	Ring, Back-up	1
15	7755222609*	Ring, Back-up	2
16	7440030000	Grease Fitting	2

*Available only in service kit #7577000183

**PARTS LIST – WHEEL LIFT CYLINDER (ZOD)
3320000055**

Ref. No.	Part No.	Description	Qty.
1	3071000051	Barrel	1
2	3763000073	Rod	1
3	4698000007	Piston	1
4	4553000008	Head	1
5	7796000006*	Seal, Piston "T"	1
6	7755224000*	"O" Ring	1
7	7755334000*	"O" Ring	1
8	7796000024*	Seal, Rod	1
9	7796000008*	Seal, Rod Wiper	1
10	7754000002*	Ring, Retaining	1
11	7754000003*	Ring, Wear	2
12	7754000004*	Ring, Wear	1
13	7660262031	Locknut	1
14	7755334609*	Ring, Back-up	1
15	7755224609*	Ring, Back-up	2
16	7754000027*	Ring, Retaining	1
17	7440030200	Grease Fitting	1

*Available only in service kit #7577250024

Rev. 2

Date 11-15-97