

\$7.50

STANDARD DUTY
OPERATIONS, MAINTENANCE,
AND PARTS MANUAL

JERR-DAN

An Oshkosh Truck Corporation Company

1080 Hykes Road
Greencastle, PA 17225

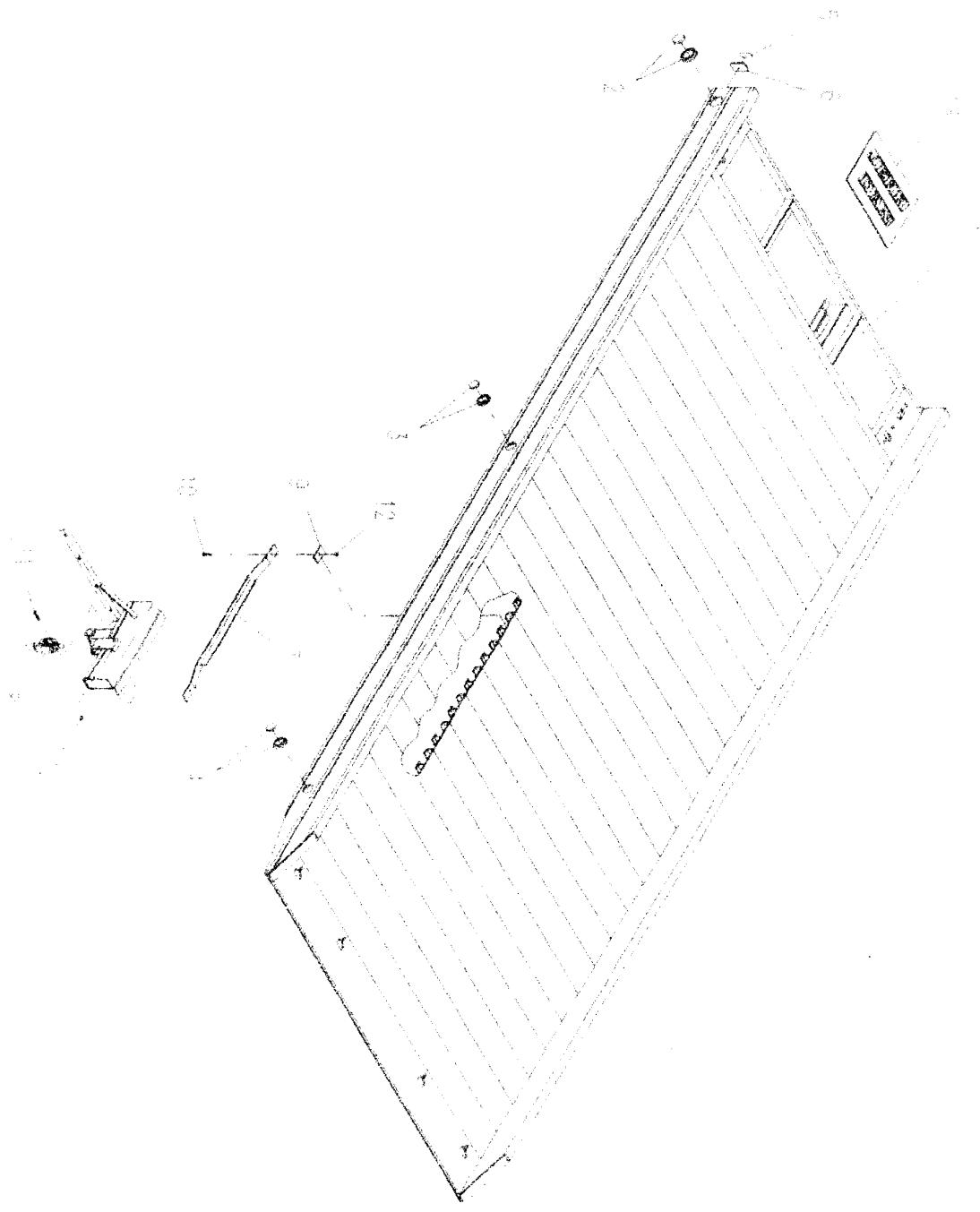
Phone (717) 597-7111

www.jerr-dan.com

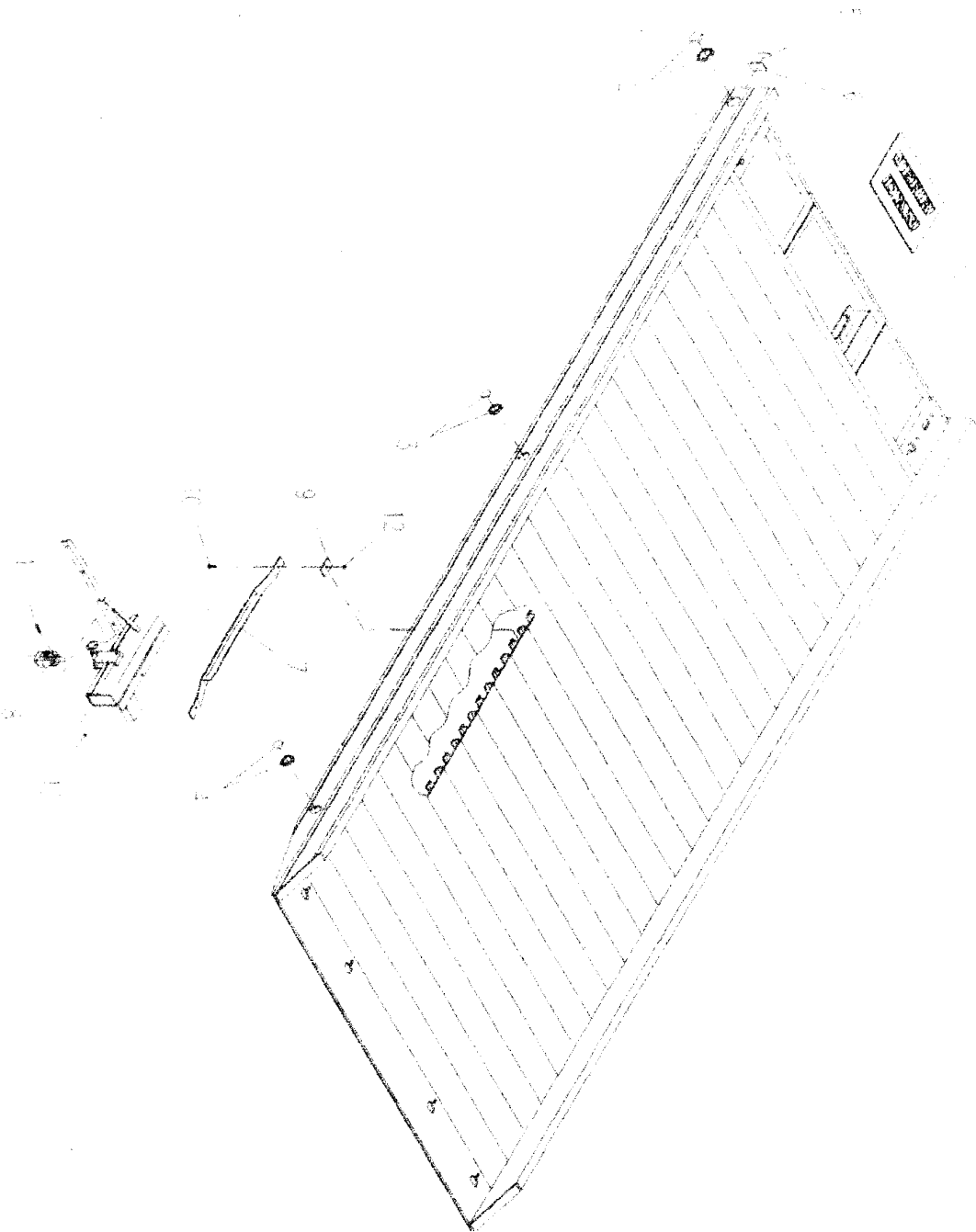
PARTS LIST — UNPOLISHED ALUMINUM VECTOR DECK

Ref. No.	Part No.	Description	Qty.
1	3097000267	19' Deck	1
	3097000271	21' Deck	
2	7590000010	Marker Light / Grommet	2
3	7590000045	Marker Light / Grommet	2
4	7590000079	Marker Light / Grommet	2
5	7590000090	Marker Light	2
6	7493000010	Grommet	2
7	3062000009	Striker	1
8	7935000167	Tilt Lock-out Valve	1
9	4706000989	Plate	2
10	7115161050	Capscrew	2
11	7115162050	Capscrew	2
12	7660162301	Locknut	4
13	7679000009	Mat	2

UNPOLISHED ALUMINUM VECTOR DECK



POLISHED ALUMINUM ELITE DECK



PARTS LIST — POLISHED ALUMINUM ELITE DECK

Ref. No.	Part No.	Description	Qty.
1	3097000264	19' Deck	1
	3097000272	21' Deck	
2	7590000010	Marker Light / Grommet	2
3	7590000045	Marker Light / Grommet	2
4	7590000079	Marker Light / Grommet	2
5	7590000090	Marker Light	2
6	7493000010	Grommet	2
7	3062000009	Striker	1
8	7935000167	Tilt Lock-out Valve	1
9	4706000989	Plate	2
10	7115161050	Capcrew	2
11	7115162050	Capcrew	2
12	7660162301	Locknut	4
13	7679000009	Mat	2

JERR-DAN

4.5

Rev. _____

Date

PARTS LIST — ALUMINUM STINGRAY DECK

Ref. No.	Part No.	Description	Qty.
1	3097000263	19' Deck	1
2	7590000010	Marker Light / Grommet	2
3	7590000045	Marker Light / Grommet	2
4	7590000079	Marker Light / Grommet	2
5	7590000090	Marker Light	2
6	7493000010	Grommet	2
7	3062000009	Striker	1
8	7935000167	Tilt Lock-out Valve	1
9	4706000989	Plate	2
10	7115161050	Capscrew	2
11	7115162050	Capscrew	2
12	7660162301	Locknut	4
13	7679000009	Mat	2

JERR-DAN

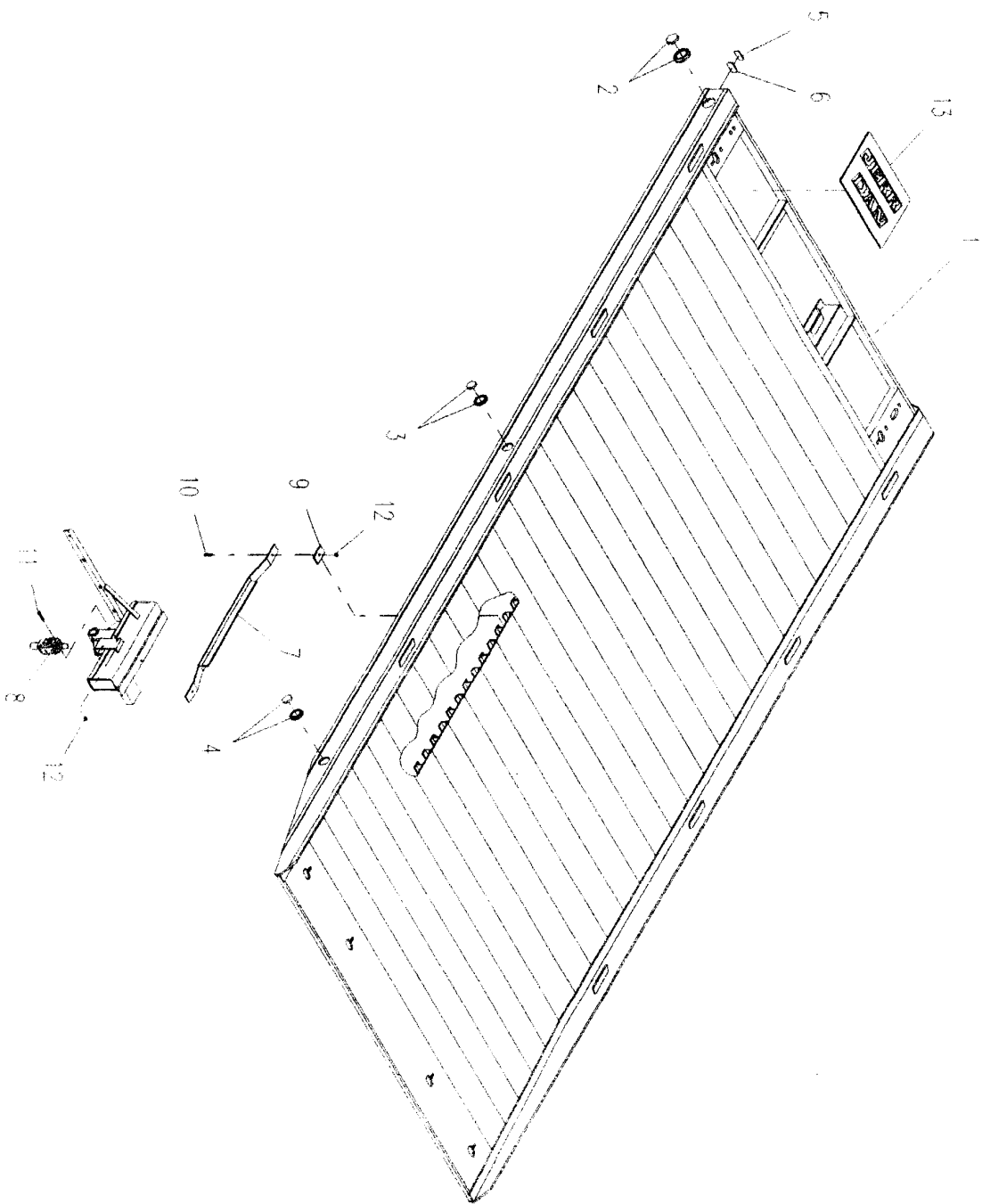
An Oshkosh Truck Corporation Company

4.6

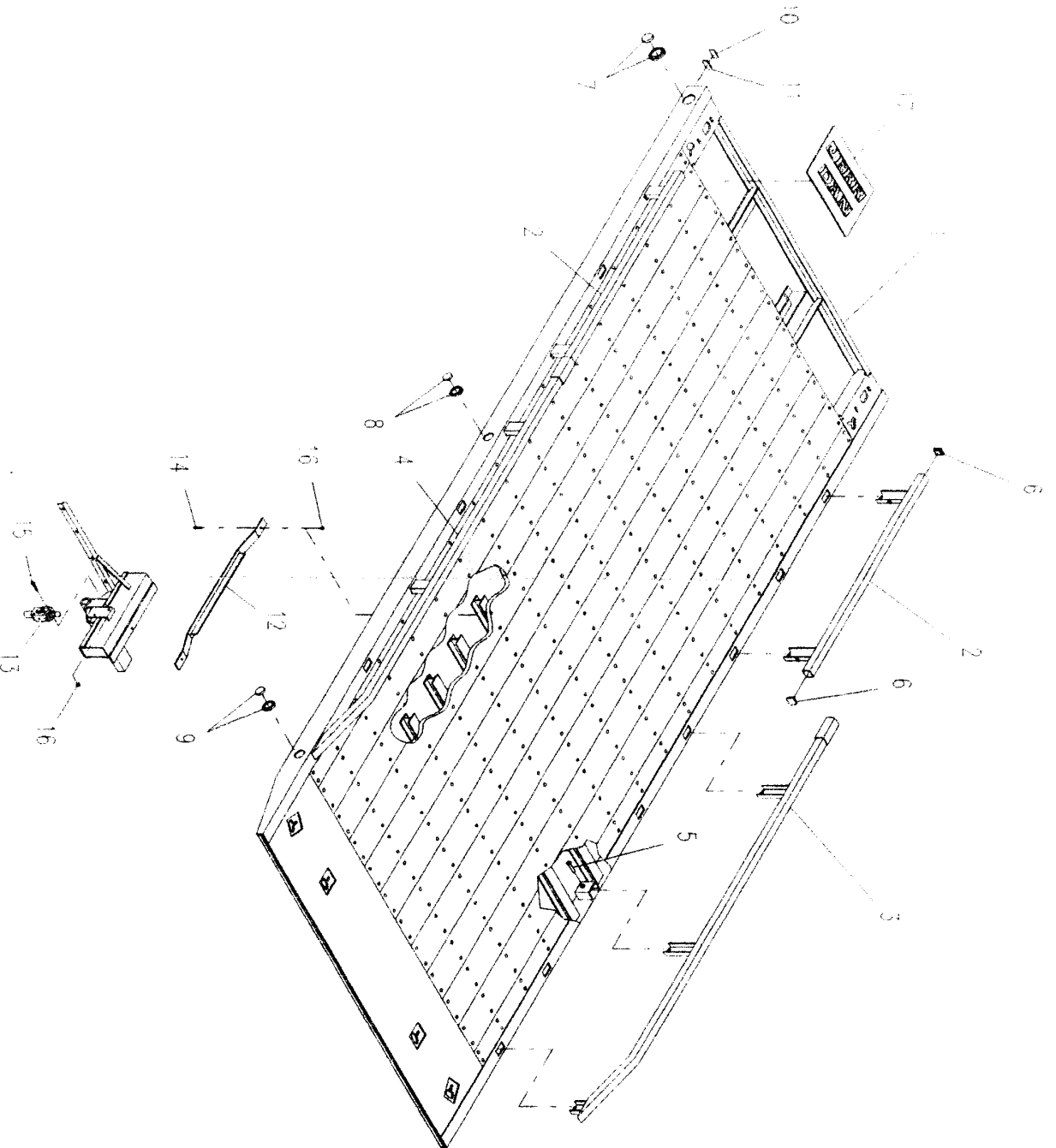
Rev. _____

Date _____

ALUMINUM STINGRAY DECK



ALUMINUM TRANSPORTER DECK



PARTS LIST — ALUMINUM TRANSPORTER DECK

Ref. No.	Part No.	Description	Qty.
1	3097000275	19' Deck	1
2	3729000115	Rail - Front	2
3	3729000130	Rail - Right Rear	1
4	3729000129	Rail - Left Rear	1
5	7120000005	Capscrew	10
6	7701000033	End Cap	4
7	7590000010	Marker Light / Grommet	2
8	7590000045	Marker Light / Grommet	2
9	7590000079	Marker Light / Grommet	2
10	7590000090	Marker Light	2
11	7493000010	Grommet	2
12	3062000010	Striker	1
13	7935000167	Tilt Lock-out Valve	1
14	7115161050	Capscrew	2
15	7115162050	Capscrew	2
16	7660162301	Locknut	4
17	7679000009	Mat	2

PARTS LIST — STEEL RUSTLER DECK

Ref. No.	Part No.	Description	Qty.
1	3097000265	19' Deck (12" X-member Spacing)	1
	3097000280	19' Deck (8" X-member Spacing)	
	3097000296	21' Deck (12" X-member Spacing)	
	3097000297	21' Deck (8" X-member Spacing)	
2	7590000010	Marker Light / Grommet	2
3	7590000045	Marker Light / Grommet	2
4	7590000079	Marker Light / Grommet	2
5	7590000090	Marker Light	2
6	7493000010	Grommet	2
7	3062000010	Striker (19' Deck)	1
	3062000011	Striker (21' Deck)	
8	7935000167	Tilt Lock-out Valve	1
9	7115162050	Capscrew	2
10	7660162301	Locknut	2

JERR-DAN

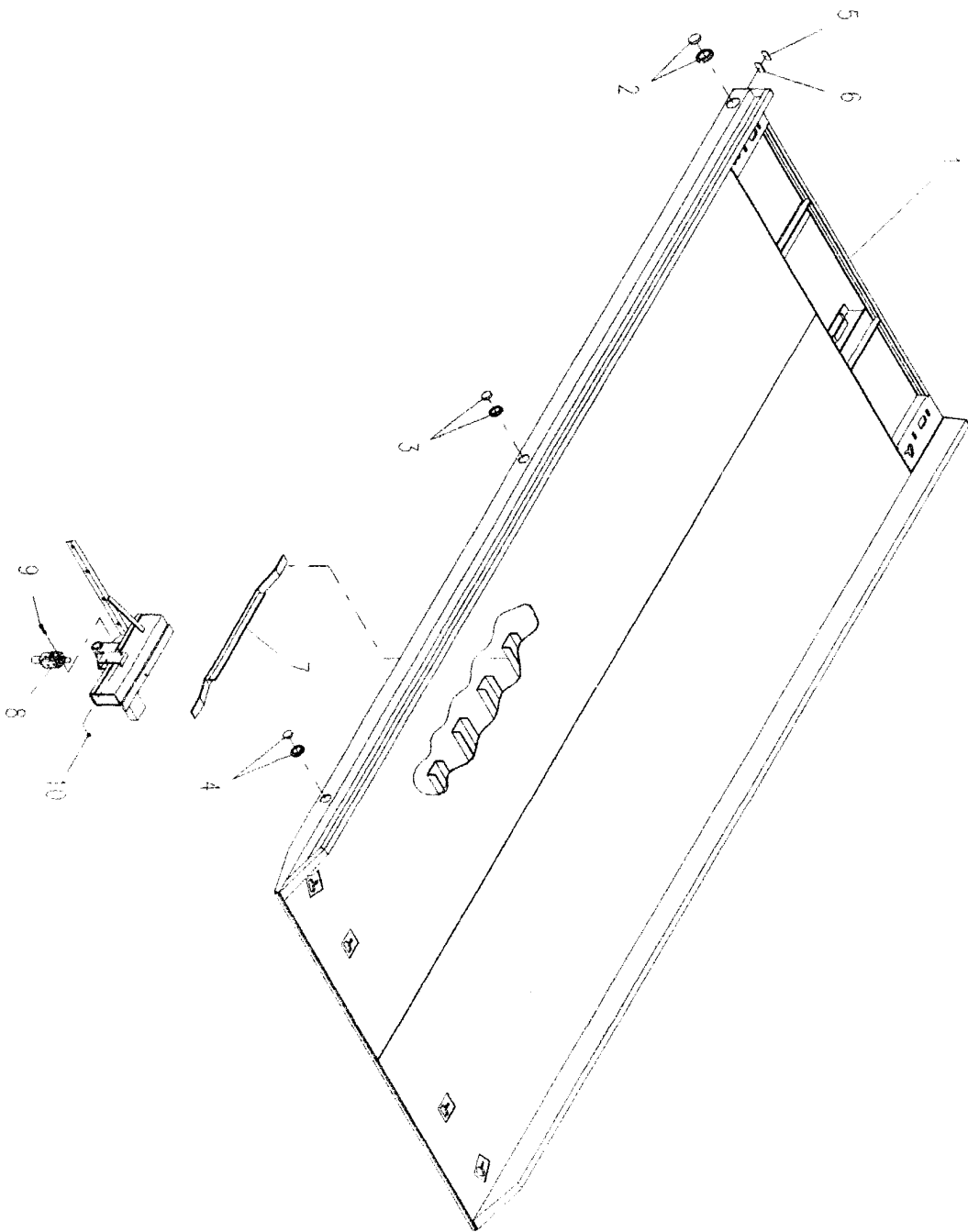
An Oshkosh Truck Corporation Company

4.10

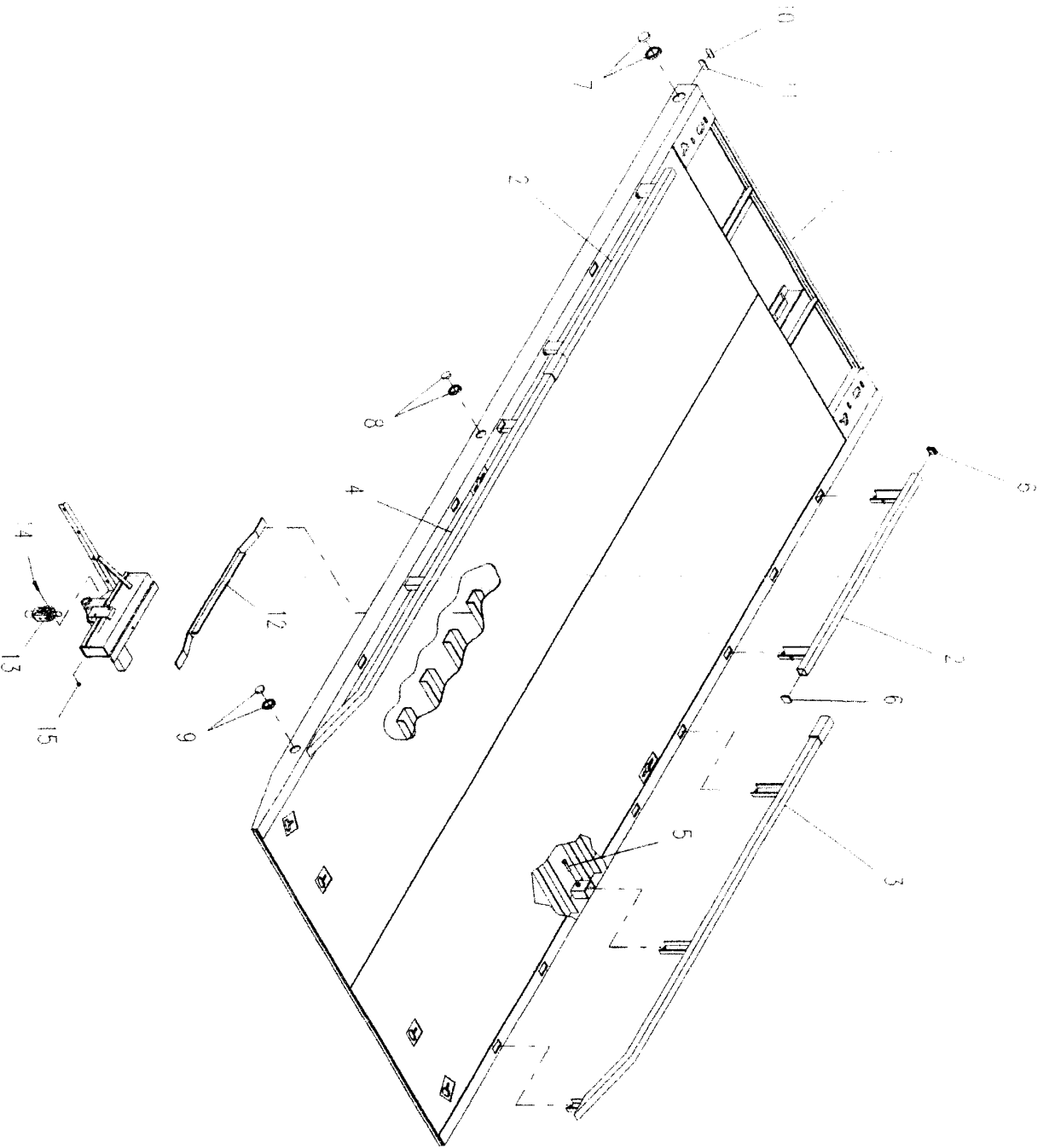
Rev. _____

Date _____

STEEL RUSTLER DECK



STEEL B.I.C. DECK



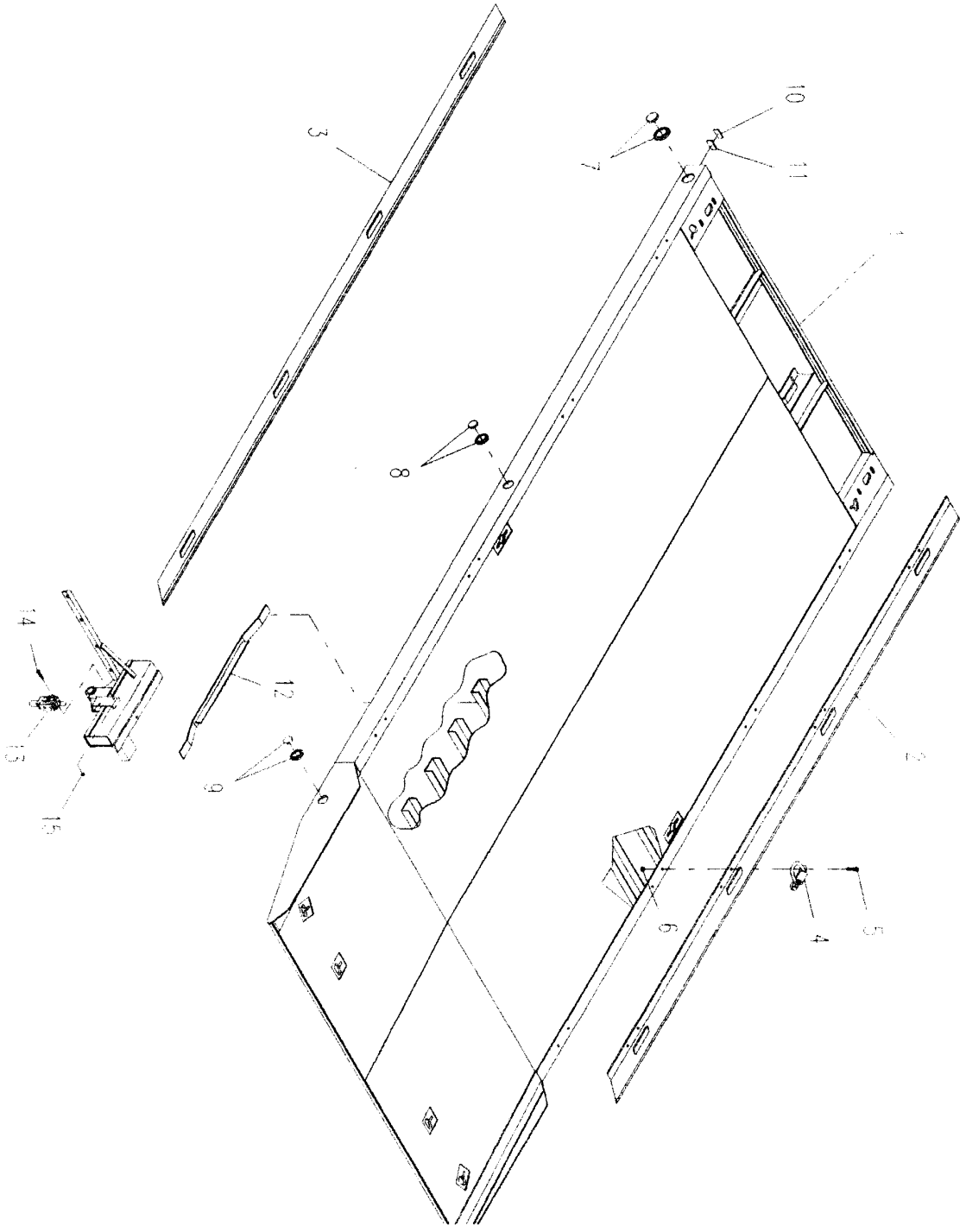
PARTS LIST — STEEL B.I.C. DECK

Ref. No.	Part No.	Description	Qty.
1	3097000270	19' Deck (12" X-member Spacing)	1
	3097000281	19' Deck (8" X-member Spacing)	
	3097000269	21' Deck (12" X-member Spacing)	
	3097000284	21' Deck (8" X-member Spacing)	
2	3729000115	Rail - Front (19' Deck)	2
	3729000126	Rail - Front (21' Deck)	
3	3729000130	Rail - Right Rear (19' Deck)	1
	3729000128	Rail - Right Rear (21' Deck)	
4	3729000129	Rail - Left Rear (19' Deck)	1
	3729000127	Rail - Left Rear (21' Deck)	
5	7120000005	Capscrew (19' Deck)	10
	7120000005	Capscrew (21' Deck)	12
6	7701000033	End Cap	4
7	7590000010	Marker Light / Grommet	2
8	7590000045	Marker Light / Grommet	2
9	7590000079	Marker Light / Grommet	2
10	7590000090	Marker Light	2
11	7493000010	Grommet	2
12	3062000010	Striker (19' Deck)	1
	3062000011	Striker (21' Deck)	
13	7935000167	Tilt Lock-out Valve	1
14	7115162050	Capscrew	2
15	7660162301	Locknut	2

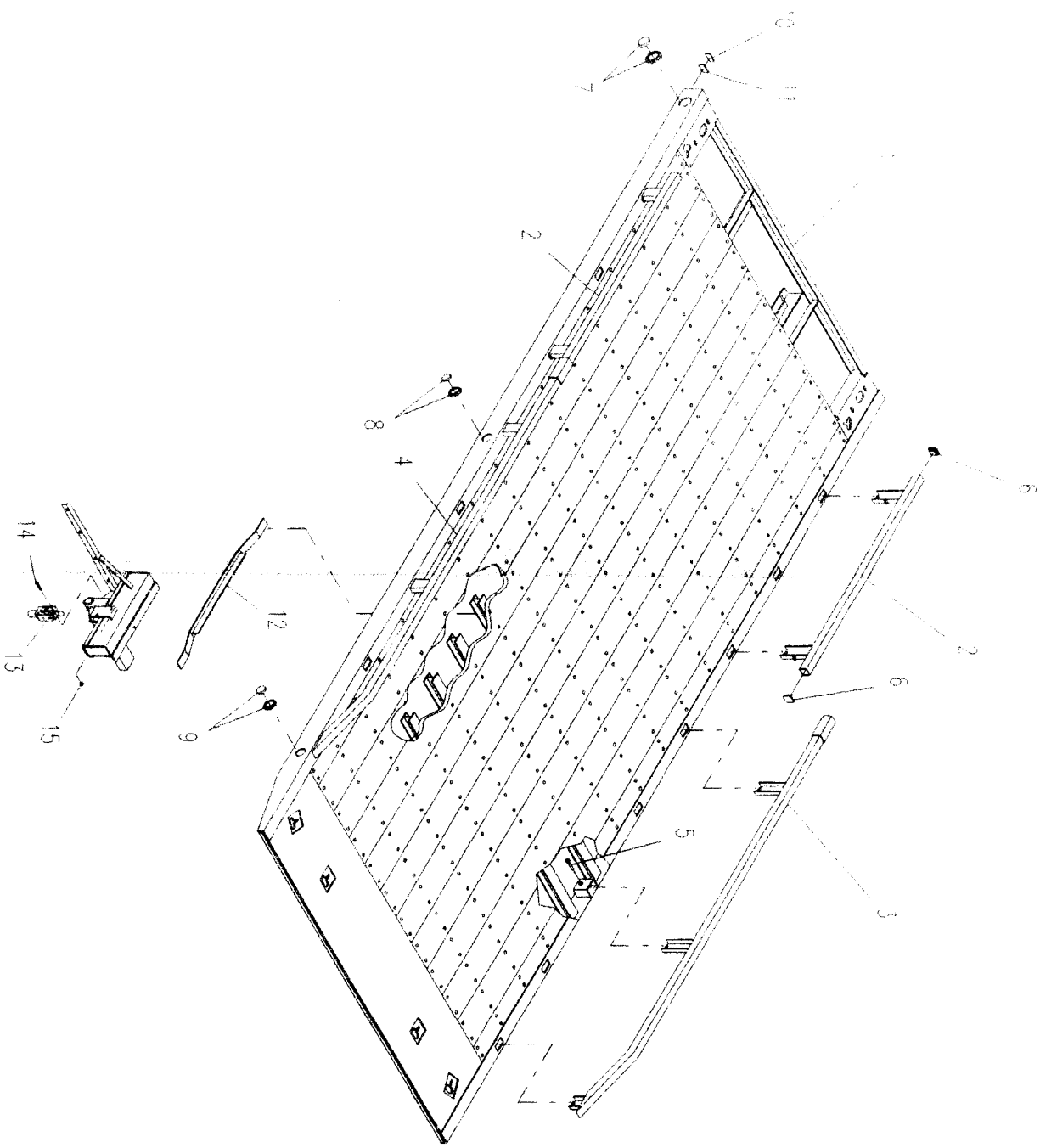
PARTS LIST — STEEL SHARK DECK

Ref. No.	Part No.	Description	Qty.
1	3097000266	19' Deck	1
	3097000268	21' Deck	
2	4017000345	Aluminum Rail R.H. (19' Deck)	1
	4017000835	Aluminum Rail R.H. (21' Deck)	
3	4017000334	Aluminum Rail L.H. (19' Deck)	1
	4017000834	Aluminum Rail L.H. (21' Deck)	
4	3556000019	D-Ring	8
5	7115181850	Capscrew	16
6	7660182601	Locknut	16
7	7590000010	Marker Light / Grommet	2
8	7590000045	Marker Light / Grommet	2
9	7590000079	Marker Light / Grommet	2
10	7590000090	Marker Light	2
11	7493000010	Grommet	2
12	3062000010	Striker (19' Deck)	1
	3062000011	Striker (21' Deck)	
13	7935000167	Tilt Lock-out Valve	1
14	7115162050	Capscrew	2
15	7660162301	Locknut	2

STEEL SHARK DECK



STEEL TRANSPORTER DECK



PARTS LIST — STEEL TRANSPORTER DECK

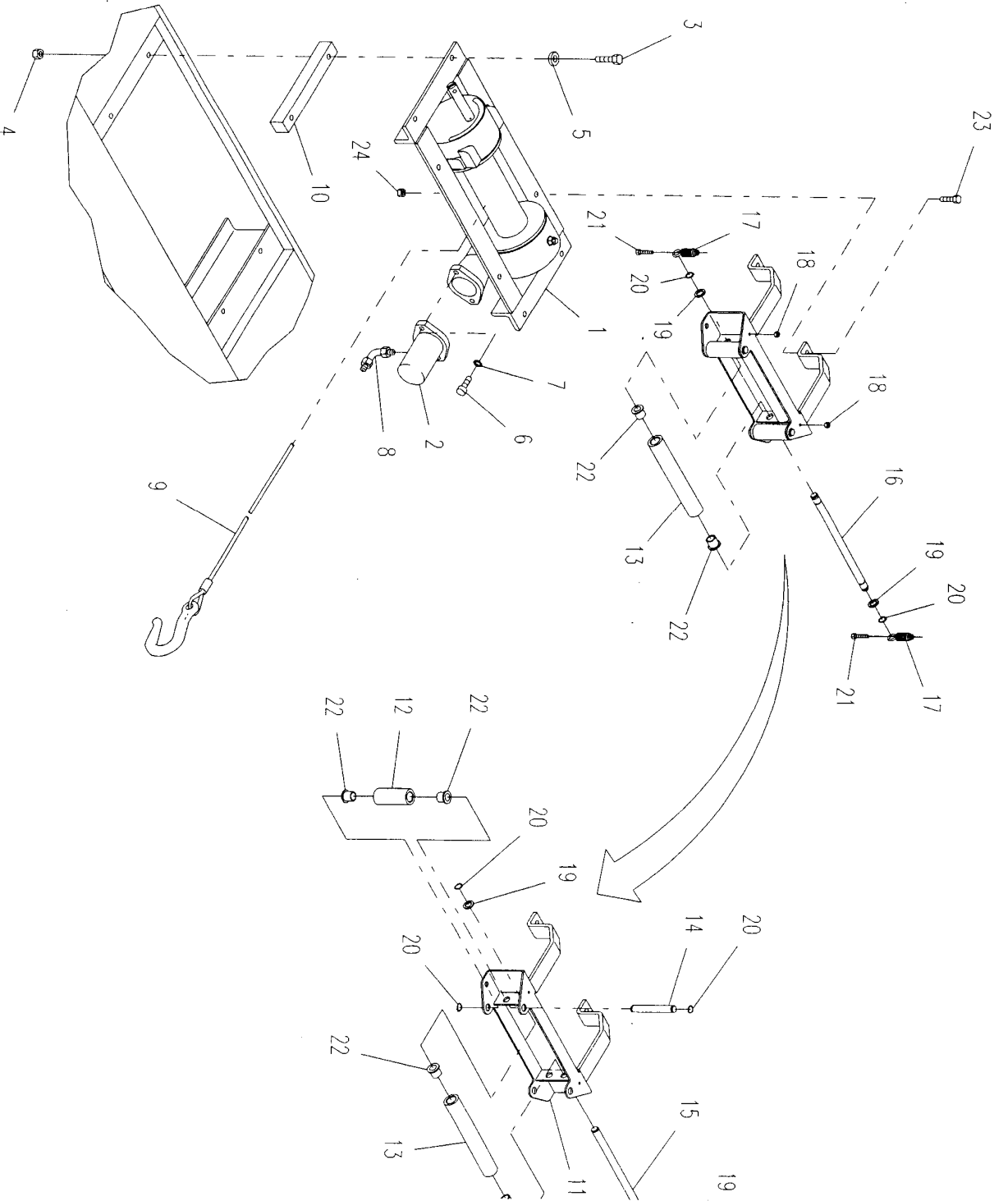
Ref. No.	Part No.	Description	Qty.
1	3097000273	19' Deck (12" X-member Spacing)	1
	3097000285	19' Deck (8" X-member Spacing)	
	3097000274	21' Deck (12" X-member Spacing)	
	3097000286	21' Deck (8" X-member Spacing)	
2	3729000115	Rail - Front (19' Deck)	2
	3729000126	Rail - Front (21' Deck)	
3	3729000130	Rail - Right Rear (19' Deck)	1
	3729000128	Rail - Right Rear (21' Deck)	
4	3729000129	Rail - Left Rear (19' Deck)	1
	3729000127	Rail - Left Rear (21' Deck)	
5	7120000005	Capscrew (19' Deck)	10
	7120000005	Capscrew (21' Deck)	12
6	7701000033	End Cap	4
7	7590000010	Marker Light / Grommet	2
8	7590000045	Marker Light / Grommet	2
9	7590000079	Marker Light / Grommet	2
10	7590000090	Marker Light	2
11	7493000010	Grommet	2
12	3062000010	Striker (19' Deck)	1
	3062000011	Striker (21' Deck)	
13	7935000167	Tilt Lock-out Valve	1
14	7115162050	Capscrew	2
15	7660162301	Locknut	2

**PARTS LIST — 8000# WORM GEAR WINCH & CABLE ROLLER
GUIDE**

Ref. No.	Part No.	Description	Qty.
1	7970000055	Winch - 8,000# Worm Gear	1
2	7626000014	Orbit Motor	1
3	7115181450	Capscrew	4
	7115182650*	Capscrew	4
4	7660182601	Locknut	4
5	7950180153	Flatwasher	4
6	9970414952	Capscrew	2
7	7950180400	Lockwasher	2
8	7445081045	Fitting	2
9	7248000063	Cable	1
10	4062000318*	Bar	2
11	3178000238 ¹	Bracket	1
12	4912000087 ¹	Roller Tube	2
13	4912000130 ¹	Roller Tube	2
14	4806000011 ¹	Roller Shaft	2
15	4806000014 ¹	Roller Shaft	1
16	4806000015 ¹	Roller Shaft	1
17	7843000007 ¹	Spring	2
18	7660141600 ¹	Locknut	2
19	7949000034 ¹	Spacer	4
20	7754000022 ¹	Retaining Ring	8
21	7111141407 ¹	Bolt	2
22	7209000011 ¹	Bushing	8
23	7115181250	Capscrew	4
24	7660182601	Locknut	4

* Available on Transporter Decks only
¹ Also Available in Assembly #3249000004

8000# WORM GI WINCH & CABLE ROLLER GUIDE

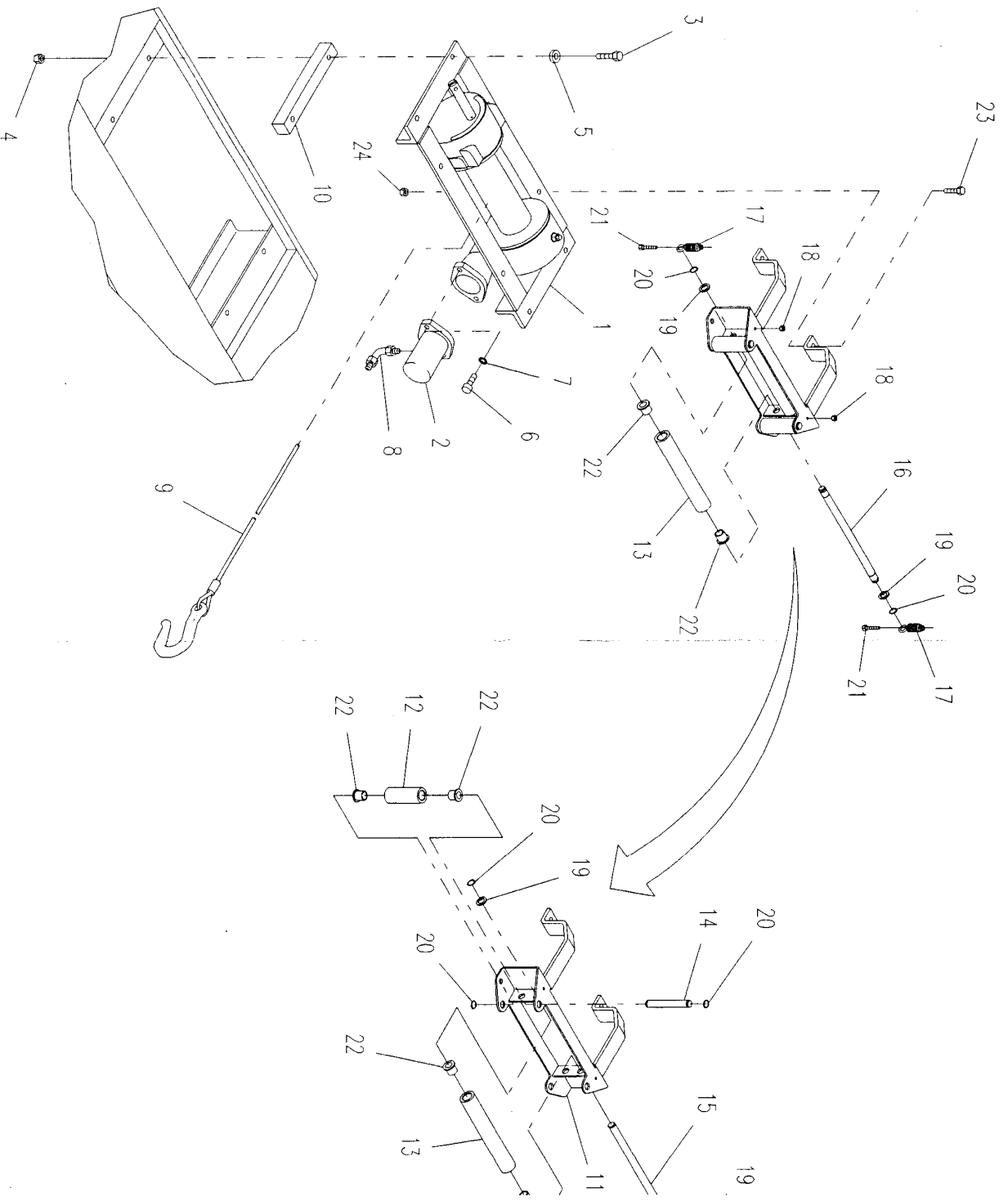


JERRDAN
An Oshkosh Truck Corporation Company

4.19

Rev. _____
Date _____

10000# WORM GEAR WINCH & CABLE ROLLER GUIDE



**PARTS LIST — 10000# WORM GEAR WINCH & CABLE ROLLER
GUIDE**

Ref. No.	Part No.	Description	Qty.
1	7970000072	Winch - 10,000# Worm Gear	1
2	7626000014	Orbit Motor	1
3	7115181450	Capscrew	4
	7115182650*	Capscrew	4
4	7660182301	Locknut	4
5	7950180153	Flatwasher	4
6	9970414952	Capscrew	2
7	7950180400	Lockwasher	2
8	7445081045	Fitting	2
9	7248000064	Cable	1
10	4062000318*	Bar	2
11	3178000238 ¹	Bracket	1
12	4912000087 ¹	Roller Tube	2
13	4912000130 ¹	Roller Tube	2
14	4806000011 ¹	Roller Shaft	2
15	4806000014 ¹	Roller Shaft	1
16	4806000015 ¹	Roller Shaft	1
17	7843000007 ¹	Spring	2
18	7660141600 ¹	Locknut	2
19	7949000034 ¹	Spacer	4
20	7754000022 ¹	Retaining Ring	8
21	7111141407 ¹	Bolt	2
22	7209000011 ¹	Bushing	8
23	7115181250	Capscrew	4
24	7660182601	Locknut	4

* Available on Transporter Decks only
¹ Also Available in Assembly #3249000004

JERR-DAN

An Oshkosh Truck Corporation Company

4.21

Rev. _____

Date _____

PARTS LIST — 8000# PLANETARY WINCH & CABLE ROLLER GUIDE

Ref. No.	Part No.	Description	Qty.
1	7970000056	Winch - 8000# Planetary	1
2	7115181450	Capscrew	4
3	7950180153	Flatwasher	4
4	7660182601	Locknut	4
5	7445081045	Fitting	2
6	7248000063	Cable	1
7	4062000318*	Bar	2
8	3249000005 ¹	Bracket	1
9	4912000087 ¹	Roller Tube	2
10	4912000086 ¹	Roller Tube	2
11	4806000011 ¹	Roller Shaft	2
12	4806000012 ¹	Roller Shaft	1
13	4806000013 ¹	Roller Shaft	1
14	7843000007 ¹	Spring	2
15	7660141600 ¹	Locknut	2
16	7949000034 ¹	Spacer	4
17	7754000022 ¹	Retaining Ring	8
18	7111141407 ¹	Capscrew	2
19	7209000011 ¹	Bushing	8
20	7115181050	Capscrew	2
21	7950180000	Lockwasher	2
22	7115181450	Capscrew	2
23	7950180252	Flatwasher	2
24	4912000211	Spacer	2
25	7660182301	Locknut	2

* Available on Transporter Decks only

¹ Also Available in Assembly #3249000006

JERR-DAN

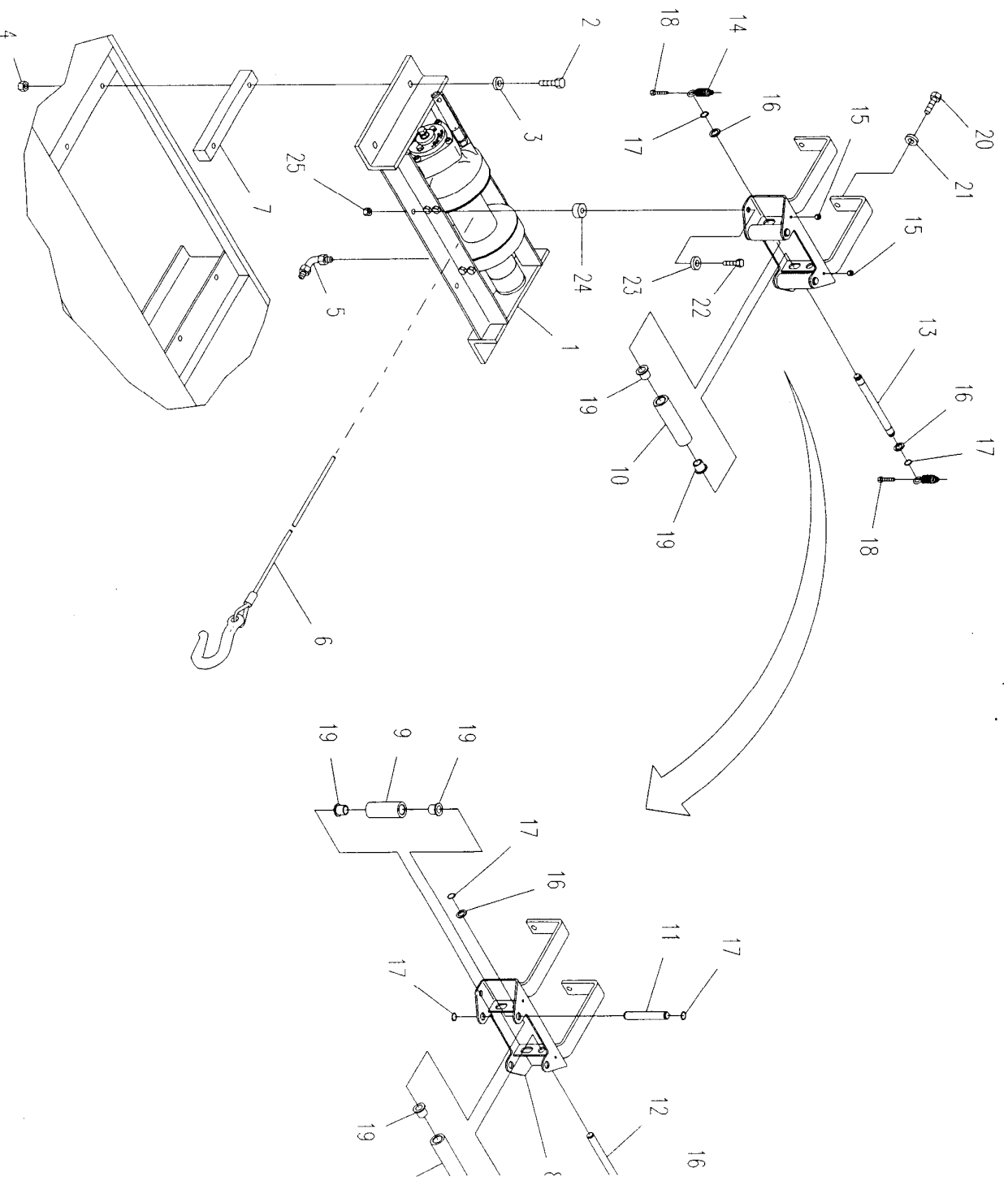
An Oshkosh Truck Corporation Company

4.22

Rev. _____

Date _____

8000# PLANETA... WINCH & CABLE ROLLER GUIDE

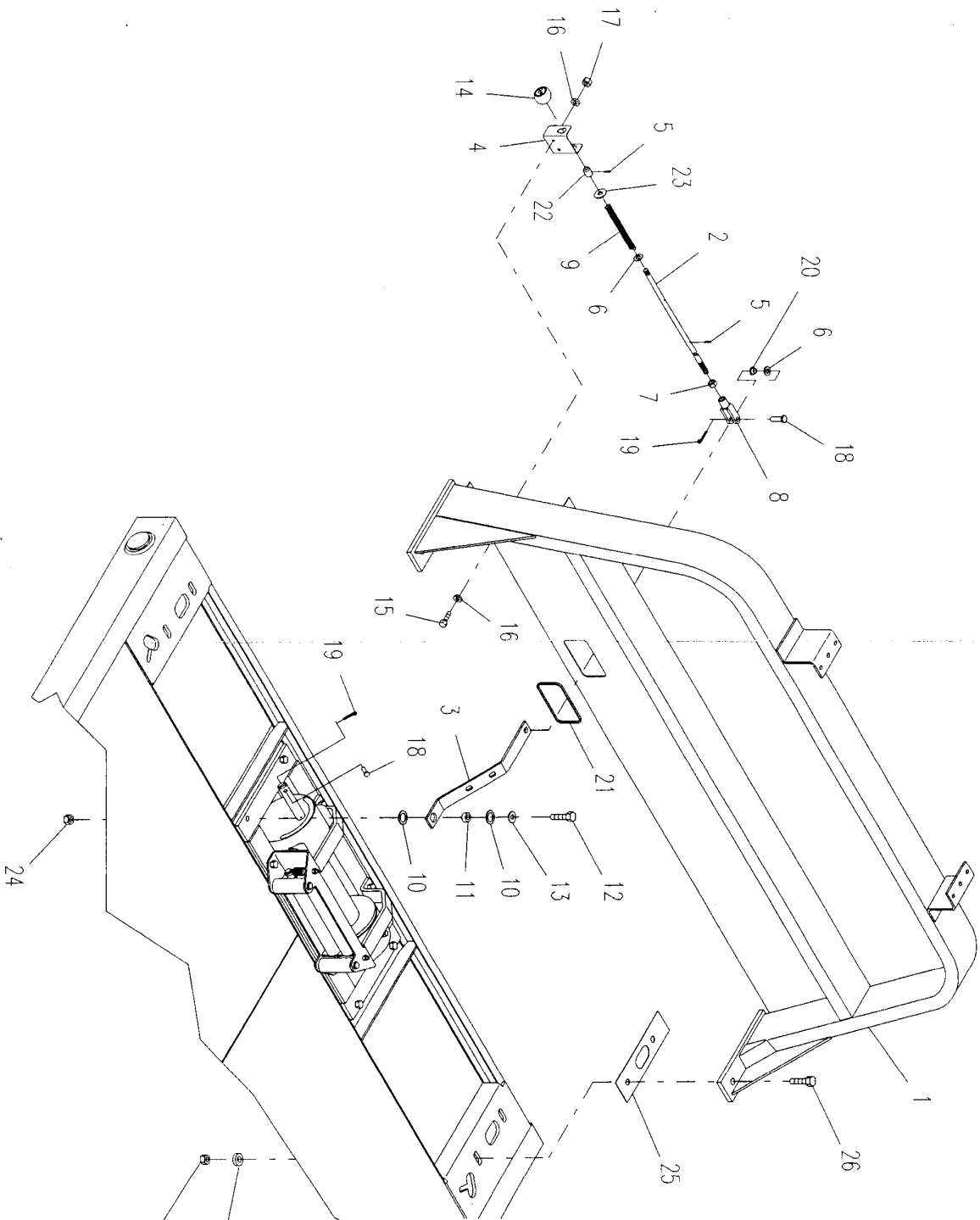


JERR-DAN
An Otis Inc. Corporation Company

4.23

Rev. _____
Date _____

STANDARD HEADBOARD & WINCH FREE POOL



PARTS LIST — STANDARD HEADBOARD & WINCH FREE SPOOL

Ref. No.	Part No.	Description	Qty.
1	3241000081	Standard Headboard (34.50")	1
	3241000082	Standard Headboard (40.50")	
	3241000083	Standard Headboard (45.50")	
	3241000084	Standard Headboard (52.50")	
2	4763000199 ¹	Rod	1
3	4706001955 ¹	Lever	1
4	4706001956 ¹	Bracket	1
5	7690051274 ¹	Spring Pin	2
6	7950180143 ¹	Flatwasher	2
7	7660180234 ¹	Nut	1
8	7990000011 ¹	Yoke	1
9	7843000023 ¹	Spring	1
10	7082000010 ¹	Nylon Washer	2
11	4209000146 ¹	Bushing	1
12	7115181650 ¹	Capscrew	1
13	7950180161 ¹	Flatwasher	1
14	7551000017 ¹	Knob	1
15	7115150850 ¹	Capscrew	2
16	7950150161 ¹	Flatwasher	4
17	7660152601 ¹	Locknut	2
18	7690182201 ¹	Clevis Pin	2
19	7690051611 ¹	Cotter Pin	2
20	7082000009 ¹	Bearing Flange	1
21	4632000009 ¹	Trim Lok	1
22	4209000147 ¹	Bushing (Worm Gear Winch)	1
	4209000145 ¹	Bushing (Planetary Winch)	
23	7949000030 ¹	Nylon Washer	1
24	7660182301	Locknut	1
25	4796000037	Gasket	2
26	7105201650	Capscrew	4
27	7950200152	Flatwasher	4
28	7660200035	Nut	2

¹ Also Available in Assembly #2970000021 (Worm Gear Winch) or #2970000019 (Planetary Winch)

JERR-DAN

An Oshkosh Truck Corporation Company

4.25

Rev. _____

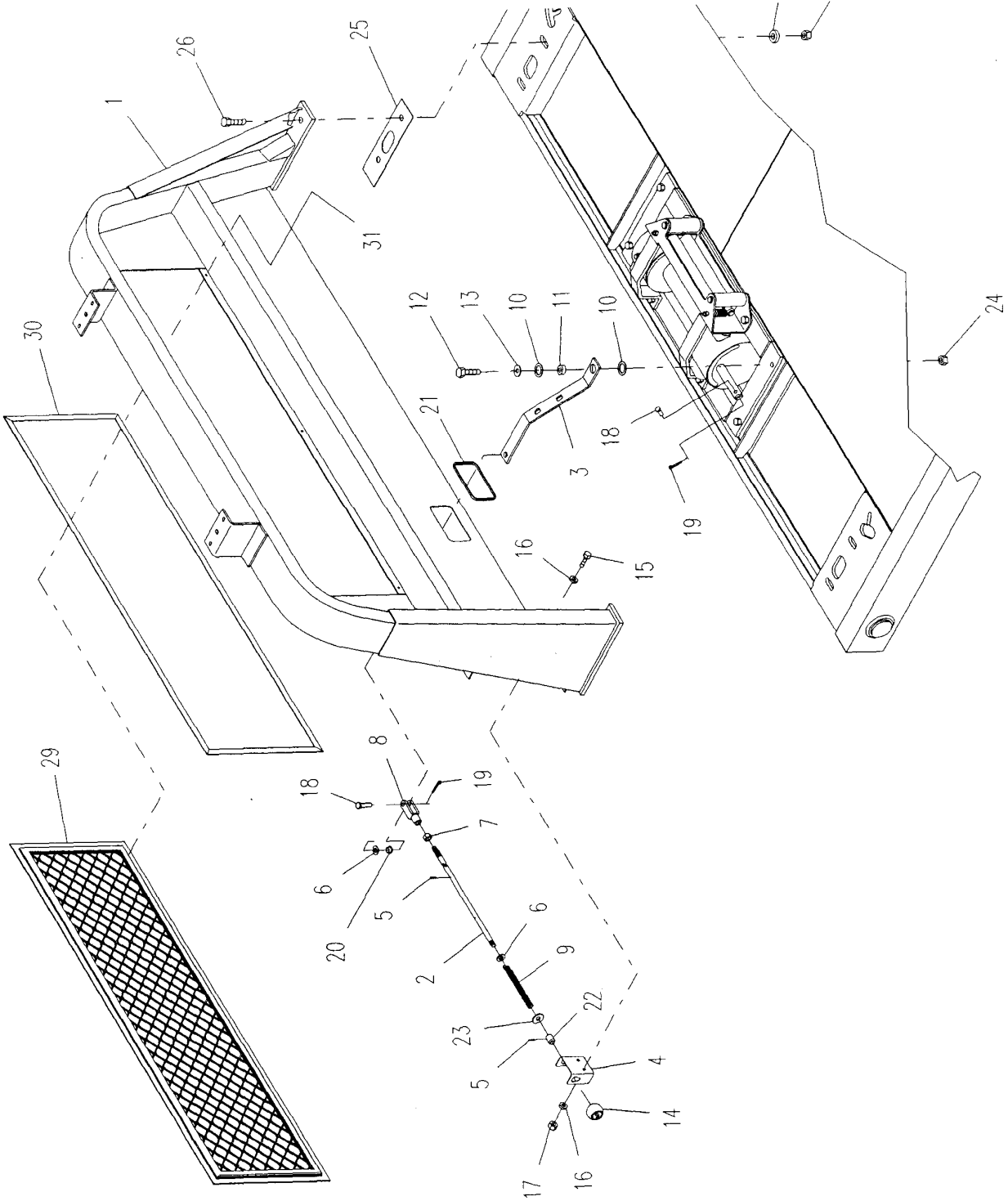
Date _____

PARTS LIST — DELUXE HEADBOARD & WINCH FREE SPOOL

Ref. No.	Part No.	Description	Qty.
1	3241000085	Deluxe Headboard (34.50")	1
	3241000086	Deluxe Headboard (40.50")	
	3241000087	Deluxe Headboard (45.50")	
	3241000088	Deluxe Headboard (52.50")	
2	4763000199 ¹	Rod	1
3	4706001955 ¹	Lever	1
4	4706001956 ¹	Bracket	1
5	7690051274 ¹	Spring Pin	2
6	7950180143 ¹	Flatwasher	2
7	7660180234 ¹	Nut	1
8	7990000011 ¹	Yoke	1
9	7843000023 ¹	Spring	1
10	7082000010 ¹	Nylon Washer	2
11	4209000146 ¹	Bushing	1
12	7115181650 ¹	Capscrew	1
13	7950180161 ¹	Flatwasher	1
14	7551000017 ¹	Knob	1
15	7115150850 ¹	Capscrew	2
16	7950150161 ¹	Flatwasher	4
17	7660152601 ¹	Locknut	2
18	7690182201 ¹	Clevis Pin	2
19	7690051611 ¹	Cotter Pin	2
20	7082000009 ¹	Bearing Flange	1
21	4632000009 ¹	Trim Lok	1
22	4209000147 ¹	Bushing (Worm Gear Winch)	1
	4209000145 ¹	Bushing (Planetary Winch)	
23	7949000030 ¹	Nylon Washer	1
24	7660182301	Locknut	1
25	4796000037	Gasket	2
26	7105201650	Capscrew	4
27	7950200152	Flatwasher	4
28	7660200035	Nut	2
29	3391000013	Screen (34.50")	1
	3391000014	Screen (40.50 & 45.50")	
	3391000015	Screen (52.50")	
30	4796000004	Gasket (34.50")	1
	4796000003	Gasket (40.50, 45.50, & 52.50")	
31	7759000013	Rivet	6

¹ Also Available in Assembly #2970000021 (Worm Gear Winch) or #2970000019 (Planetary Winch)

DELUXE HEAVY BOARD & WINCH FREE SPOOL



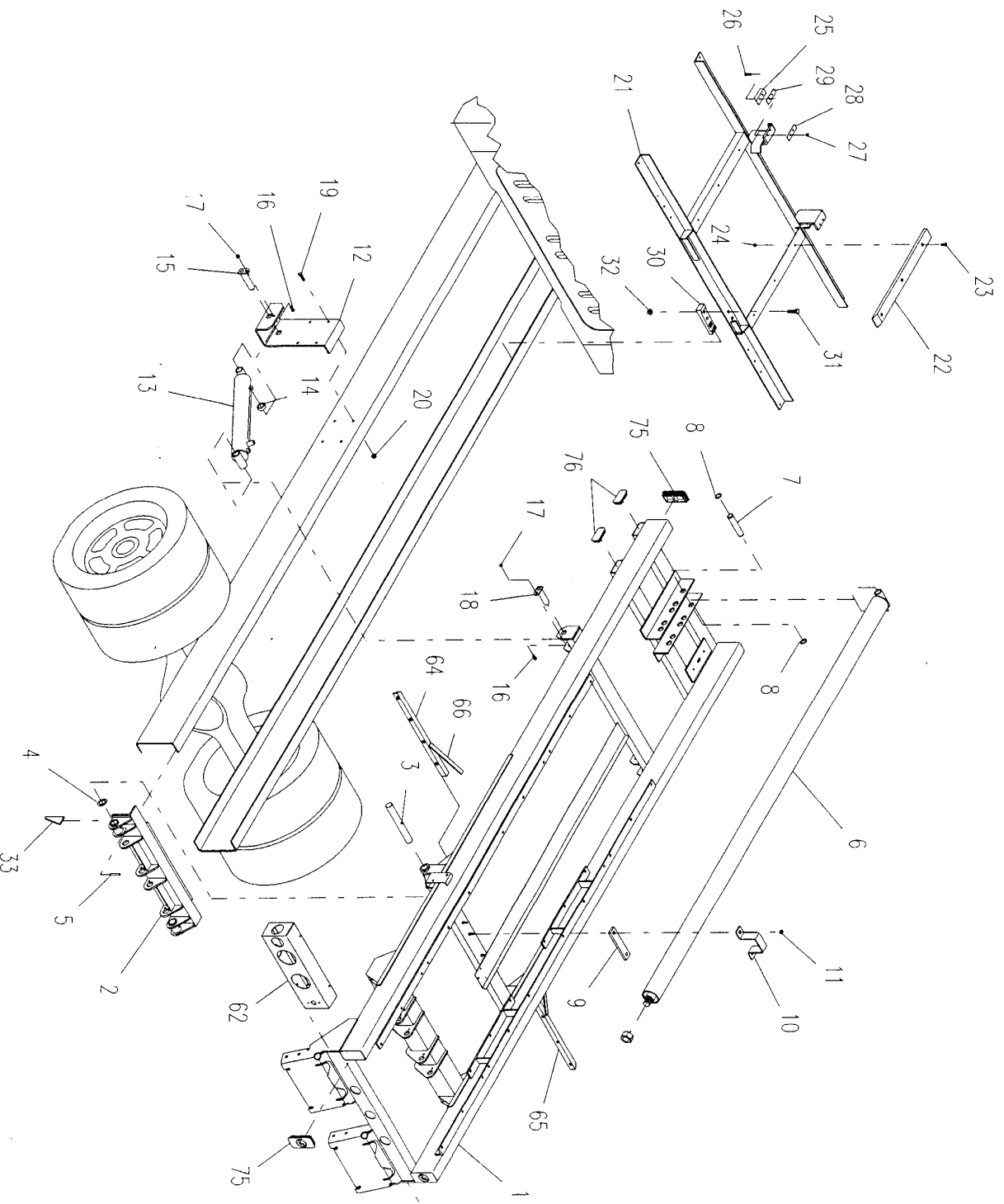
Rev. _____
Date _____

PARTS LIST — FINAL ASSEMBLY - STANDARD

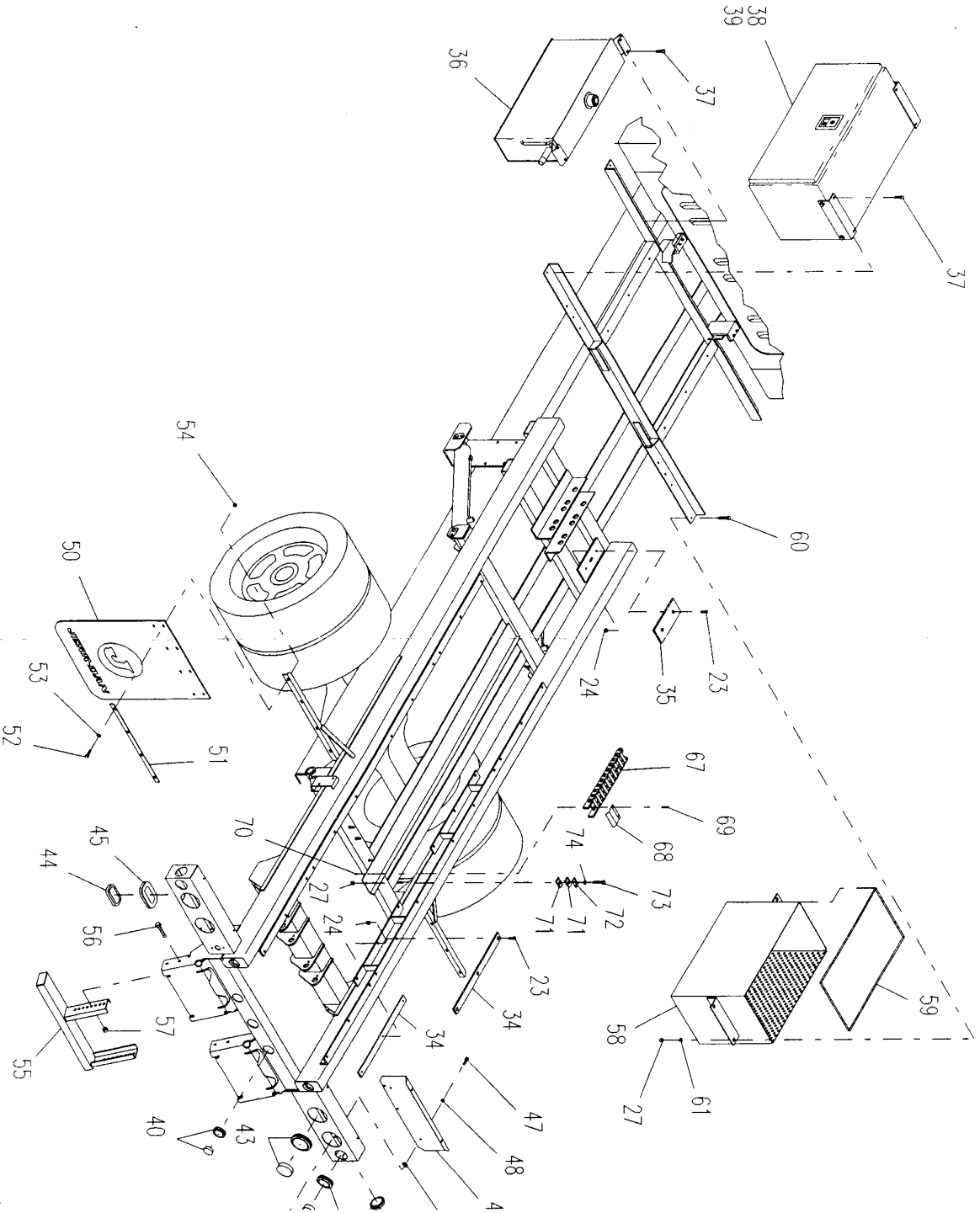
Ref. No.	Part No.	Description	Qty.
1	3868000200	Subframe	1
2	3905000003	Trunnion	1
3	4691000295	Pin	2
4	7949000008	Washer	2
5	7690164045	Spring Pin	2
6	3320000058	Cylinder Assembly	1
7	4691000277	Pin	1
8	7754000006	Retaining Ring	2
9	4679000151	Wear Pad	1
10	4178000262	Bracket	1
11	7660181601	Locknut	2
12	4178000259	Saddle	2
13	3320000062	Cylinder Assy	2
14	4209000020	Bushing	2
15	3691000073	Pin	2
16	7115160850	Capscrew	4
17	7660162301	Flanged Locknut	4
18	3691000158	Pin	2
19	7105181450	Capscrew	8
20	7660182333	Flanged Locknut	8
21	3558000003	Hold Down	1
22	4679000153	Wear Pad	2
23	7118161023	Capscrew	46
24	7660162601	Locknut	46
25	4679000167	Wear Pad	2
26	7115151218	Capscrew	4
27	7660152601	Locknut	5
28	4812000059	Shim	2
29	4812000058	Shim	2
30	7274000046	Retaining Clamp	2
31	7105201850	Capscrew	8
32	7660202347	Locknut	8
33	4497000358	Gusset	2
34	4679000145	Wear Pad	12
35	4679000154	Wear Pad	2
36	3750000018	Oil Reservoir	1
37	7790161253	Screw	8
38	3899000050	Toolbox 36" with Steel Door	1
	3899000051	Toolbox 36" with Stainless Steel Door	
39	4679000033	Rubber Pad	1
40	7590000079	Red Marker Light	3
41	7590000009	Red Marker Light	4
42	7590000002	Stop/Turn/Tail Light	2
43	7590000003	Back-up Light	2
44	7590000103	License Plate Light	1
45	7493000010	Grommet	1
46	4314000043	Cover	2
47	7111140513	Screw	8
48	7949000023	Washer	8
49	7661000019	U-Nut	8

Ref. No.	Part No.	Description	Qty.
50	7638000004	Mud Flap	2
51	4706000233	Back Up Strip	2
52	7111150813	Screw	8
53	7950150000	Washer	8
54	7660150000	Nut	8
55	3190000028	Bumper Tube - Short	2
	3190000030	Bumper Tube - Long	
56	7115181064	Carriage Bolt	8
57	7660182601	Locknut	8
58	3899000053	Storage Basket	1
59	4632000015	Moulding	1
60	7115150850	Capscrew	4
61	7950150161	Washer	4
62	3178000233	Light Box L.H.	1
63	3178000234	Light Box R.H.	1
64	4017000825	Angle L.H.	1
65	4017000826	Angle R.H.	1
66	4705000062	Brace	2
67	7904000002	Cable Carrier	1
68	4706003038	Plate	1
69	7114101618	Screw	2
70	7660102604	Nut	2
71	7274000038	Half Clamp	2
72	7274000039	Clamp Cover	1
73	7115151650	Capscrew	1
74	7950150161	Washer	1
75	7701000048	Plug	4
76	7701000051	Plug	4

FINAL ASSEMBLY - STANDARD



FINAL ASSL...PLY - STANDARD



4.30

Rev. _____
Date _____

PARTS LIST — FINAL ASSEMBLY - INBOARD TILT CYLINDERS

Ref. No.	Part No.	Description	Qty.
1	3868000193	Subframe	1
2	3905000003	Trunnion	1
3	4691000295	Pin	2
4	7949000008	Washer	2
5	7690164045	Spring Pin	2
6	3320000058	Cylinder Assembly	1
7	4691000277	Pin	1
8	7754000006	Retaining Ring	2
9	4679000151	Wear Pad	1
10	4178000262	Bracket	1
11	7660181601	Locknut	2
12	3316000054	Crossmember Weldment	1
13	3320000059	Cylinder Assy	2
14	3691000073	Pin	4
15	7115160850	Capscrew	4
16	7660162301	Flanged Locknut	4
17	7105181450	Capscrew	8
18	7660182333	Flanged Locknut	8
19	3558000004	Hold Down	1
20	4679000153	Wear Pad	2
21	7118161023	Capscrew	46
22	7660162601	Locknut	46
23	4679000167	Wear Pad	2
24	7115151218	Capscrew	4
25	7660152601	Locknut	21
26	4812000059	Shim	2
27	4812000058	Shim	2
28	7274000046	Retaining Clamp	2
29	7105202250	Capscrew	8
30	7660202347	Locknut	8
31	4497000358	Gusset	2
32	4679000154	Wear Pad	2
33	4679000145	Wear Pad	12
34	4178000290	Bracket	1
35	4178000291	Bracket	1
36	7118181216	Capscrew	4
37	7660182301	Locknut	4
38	3750000018	Oil Reservoir	1
39	4706002361	Plate	2
40	7115150850	Capscrew	16
41	7950150161	Flatwasher	16
42	3899000050	Toolbox 36" with Steel Door	1
	3899000051	Toolbox 36" with Stainless Steel Door	1
43	4679000033	Rubber Pad	1
44	7590000079	Red Marker Light	3
45	7590000009	Red Marker Light	4
46	7590000002	Stop/Turn/Tail Light	2
47	7590000003	Back-up Light	2
48	7590000103	License Plate Light	1
49	7493000010	Grommet	1
50	4314000043	Cover	2
51	7111140513	Screw	8
52	7949000023	Washer	8
53	7661000019	U-Nut	8

JERR-DAN

An Oshkosh Truck Corporation Company

4.31

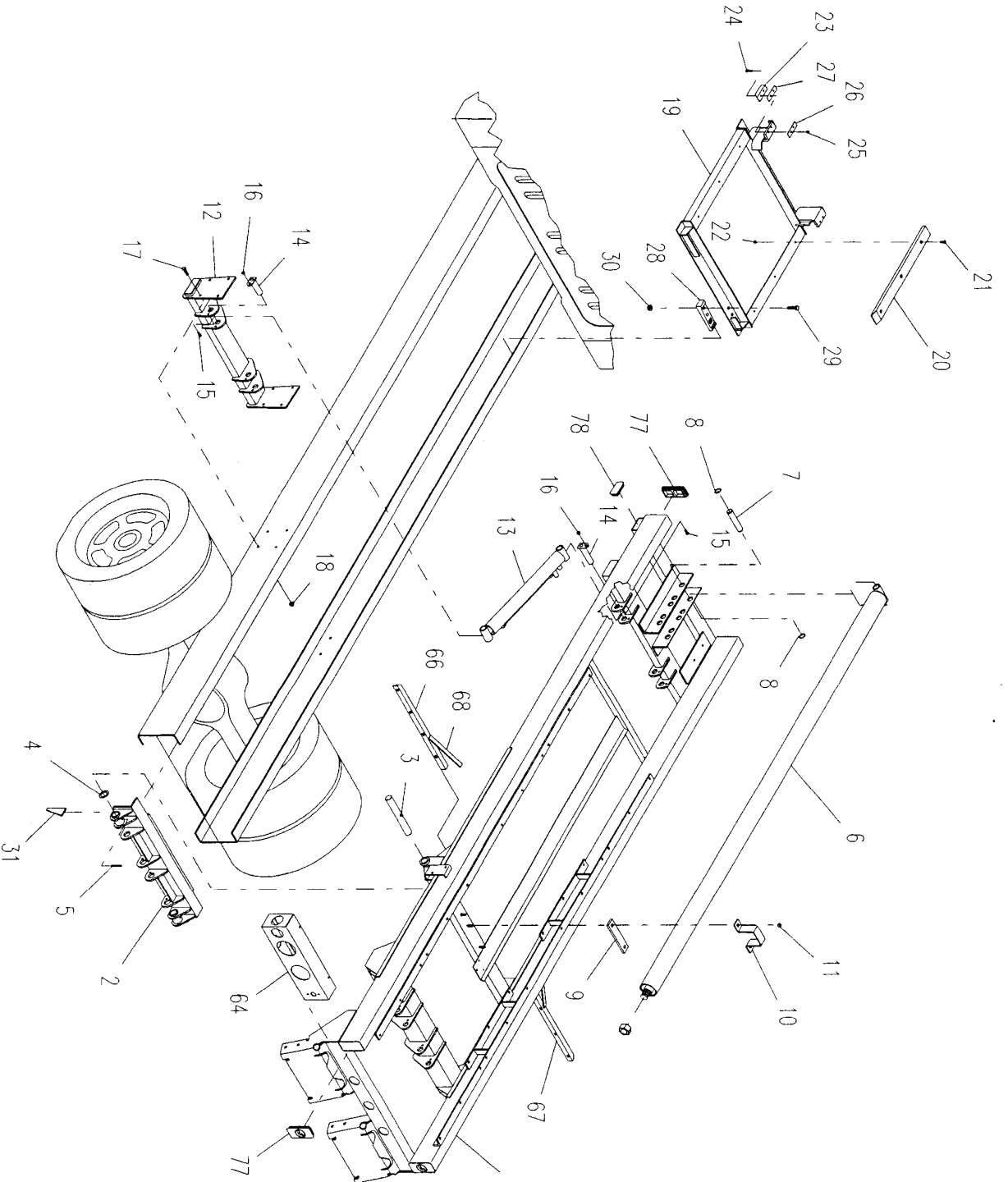
Rev. _____

Date _____

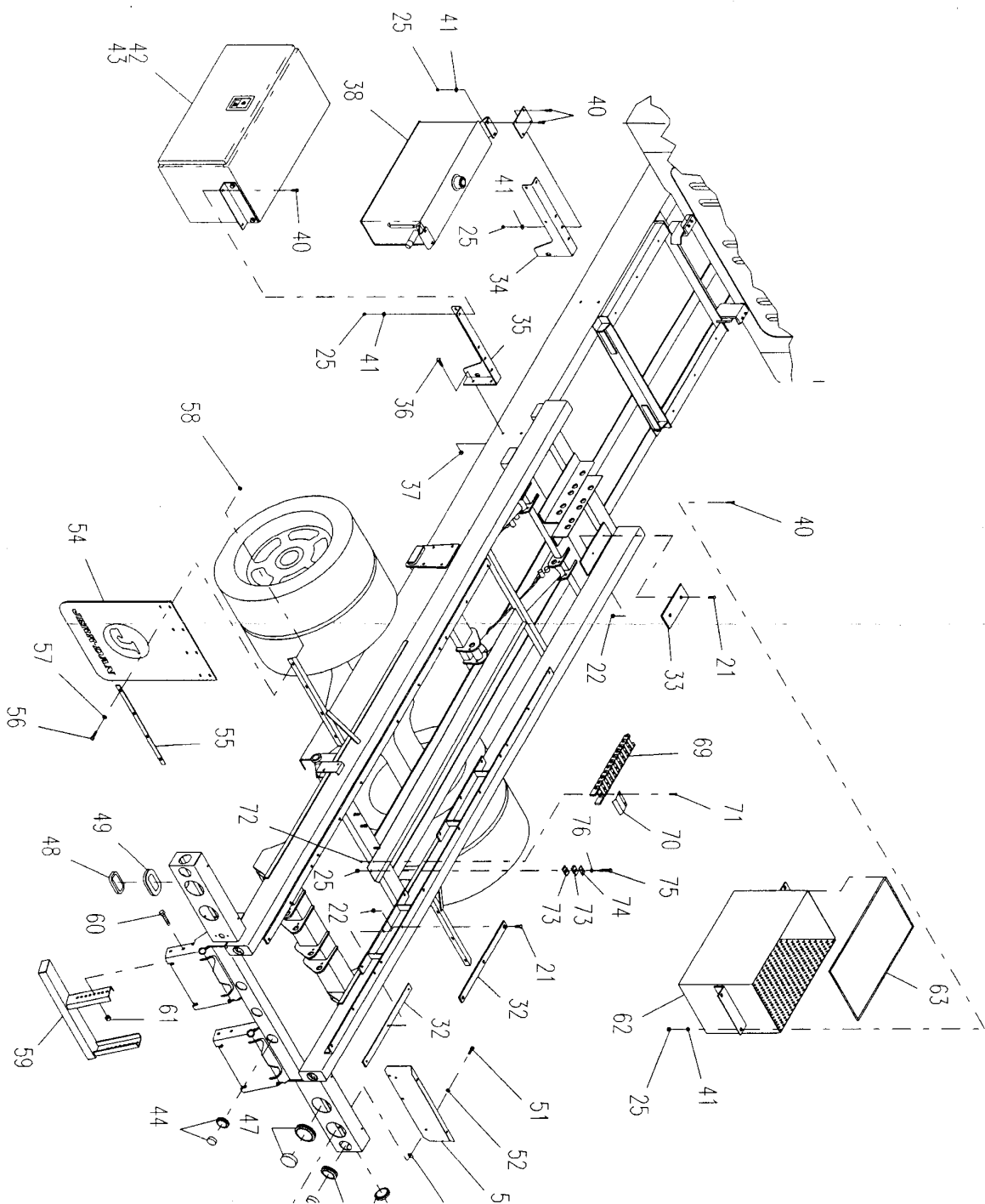
**PARTS LIST — FINAL ASSEMBLY - INBOARD TILT CYLINDERS -
Cont.**

Ref. No.	Part No.	Description	Qty.
54	7638000004	Mud Flap	2
55	4706000233	Back Up Strip	2
56	7111150813	Screw	8
57	7950150000	Washer	8
58	7660150000	Nut	8
59	3190000028	Bumper Tube - Short	2
	3190000030	Bumper Tube - Long	
60	7115181064	Carriage Bolt	8
61	7660182601	Locknut	8
62	3899000053	Storage Basket	1
63	4632000015	Moulding	1
64	3178000233	Light Box L.H.	1
65	3178000234	Light Box R.H.	1
66	4017000825	Angle L.H.	1
67	4017000826	Angle R.H.	1
68	4705000062	Brace	2
69	7904000002	Cable Carrier	1
70	4706003038	Plate	1
71	7114101618	Screw	2
72	7660102604	Nut	2
73	7274000038	Half Clamp	2
74	7274000039	Clamp Cover	1
75	7115151650	Capscrew	1
76	7950150161	Washer	1
77	7701000048	Plug	4
78	7701000051	Plug	2

FINAL ASSEMBLY - INBOARD TILT CYLINDERS



FINAL ASSEMBLY - BOARD TILT CYLINDERS



PARTS LIST — DUAL CONTROLS — STANDARD

Ref. No.	Part No.	Description	Qty.
1	3935000048	Control Valve (A)	1
	3935000031	Control Valve (B,D)	
	3935000032	Control Valve (C)	
	3935000036	Control Valve (E)	
	3935000037	Control Valve (F)	
2	7111163250	Bolt	3
3	7950160161	Washer	3
4	7660161605	Nut	3
5	3177000041	Channel (A,B,C,D,E)	1
	3177000040	Channel (F)	
6	7115150625	Screw	8
7	3560000005	Control Hood	2
8	7330000169	Control Panel Placard - LH (A,D,E)	1
	7330000191	Control Panel Placard - LH (B,C)	
	7330000219	Control Panel Placard - LH (F)	
9	7330000170	Control Panel Placard - RH (A,D,E)	1
	7330000192	Control Panel Placard - RH (B,C)	
	7330000220	Control Panel Placard - RH (F)	
10	7759000004	Rivet	8
11	7590000087	Lamp	2
12	7790101276	Screw	4
13	4606000065	Lug	4
14	7111150864	Carriage Bolt	8
15	7950150000	Lock Washer	8
16	7660152601	Locknut (A)	17
	7660152601	Locknut (B,C,D)	
	7660152601	Locknut (E)	
	7660152601	Locknut (F)	
17	3551000042	Handle (E,F)	2
18	3551000040	Handle (B,C,D,E,F)	2
19	3551000043	Handle (A,B,C,D,E)	2
	3551000043	Handle (F)	
20	3551000039	Handle	2
21	3551000041	Handle	2
22	7082000005	Bushing (A)	12
	7082000005	Bushing (B,C,D)	
	7082000005	Bushing (E)	
	7082000005	Bushing (F)	
23	7950220141	Washer	2
24	4691000141	Pin (A,B,C,D,E)	2
	4691000263	Pin (F)	
25	7754000009	Retaining Ring	
26	7551000003	Knob - Red	2
27	7551000002	Knob - Black (A)	4
	7551000002	Knob - Black (B,C,D)	
	7551000002	Knob - Black (E)	
	7551000002	Knob - Black (F)	
28	3763000078	Control Rod (A)	3
	3763000078	Control Rod (B,C,D)	
	3763000078	Control Rod (E)	
	3763000078	Control Rod (F)	

JERR-DAN

An Oshkosh Truck Corporation Company

4.35

Rev. _____

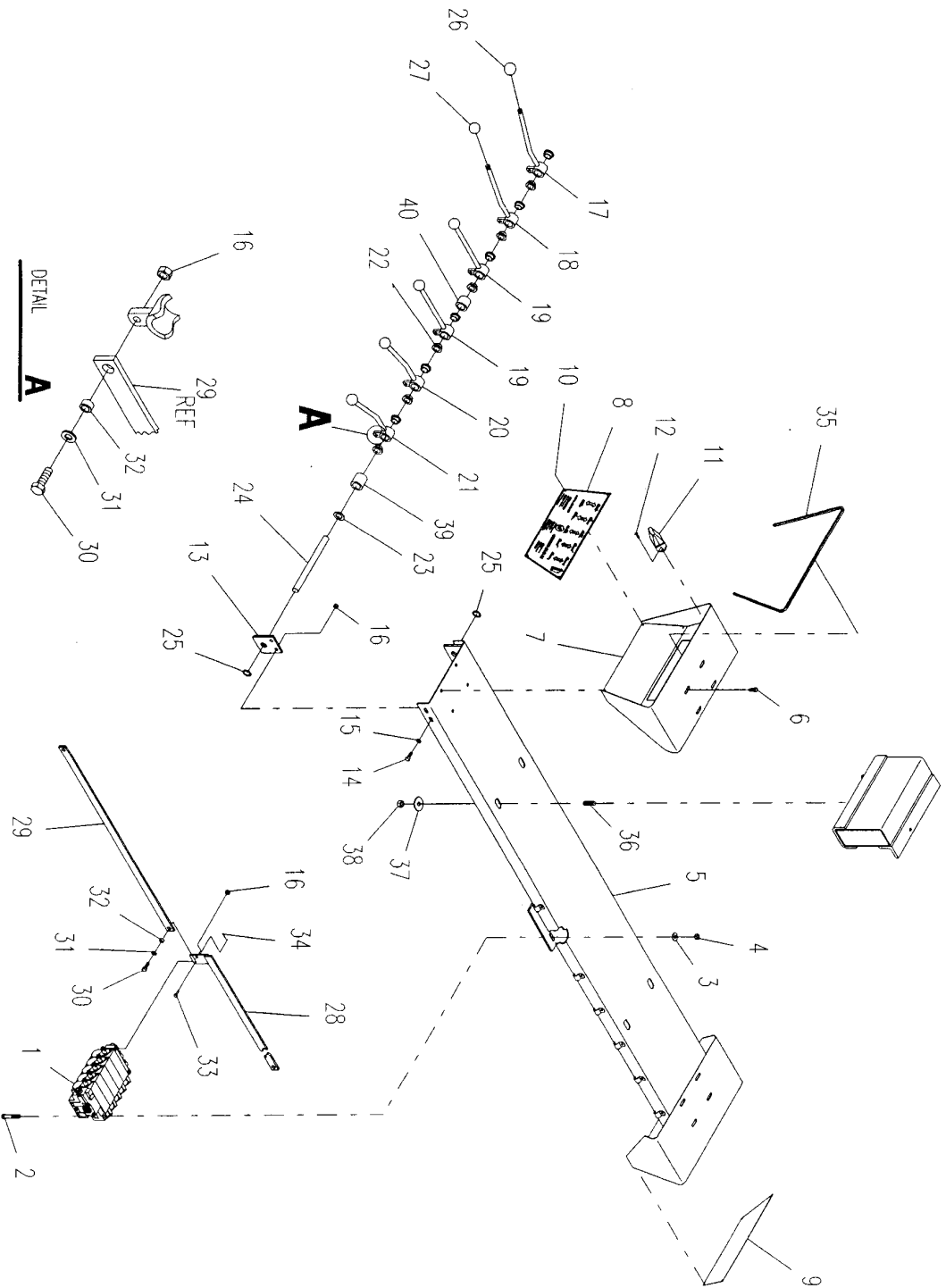
Date _____

PARTS LIST — DUAL CONTROLS — STANDARD

Ref. No.	Part No.	Description	Qty.
29	4763000210	Control Rod (A)	3
	4763000210	Control Rod (B,C,D)	4
	4763000210	Control Rod (E)	5
	4763000210	Control Rod (F)	6
30	7115150850	Capscrew (A)	9
	7115150850	Capscrew (B,C,D)	12
	7115150850	Capscrew (E)	15
	7115150850	Capscrew (F)	18
31	7949000011	Washer (A)	9
	7949000011	Washer (B,C,D)	12
	7949000011	Washer (E)	15
	7949000011	Washer (F)	18
32	4831000069	Spacer (A)	9
	4931000069	Spacer (B,C,D)	12
	4831000069	Spacer (E)	15
	4831000069	Spacer (F)	18
33	7690141200	Clevis Pin (A)	3
	7690141200	Clevis Pin (B,C,D)	4
	7690141200	Clevis Pin (E)	5
	7690141200	Clevis Pin (F)	6
34	7690000810	Cotter Pin (A)	3
	7960000810	Cotter Pin (B,C,D)	4
	7690000810	Cotter Pin (E)	5
	7690000810	Cotter Pin (F)	6
35	4632000004	Moulding	2
36	7866184240	Stud	4
37	7950180161	Washer	4
38	7660181601	Locknut	4
39	4209000021	Bushing (A)	4
	4209000021	Bushing (B,C,D)	2
40	4209000135	Bushing (F)	2

- A - Application with 3 Bank Valve
- B - Application with 4 Bank Valve (w/ Stabilizer)
- C - Application with 4 Bank Valve (w/ Stabilizer w/ Hitch)
- D - Application with 4 Bank Valve (w/ Hydraulic Towbar)
- E - Application with 5 Bank Valve (w/ IRL Wheellift or Towbar)
- F - Application with 6 Bank Valve (w/ ZOD Wheellift)

DUAL CONTROLS - STANDARD



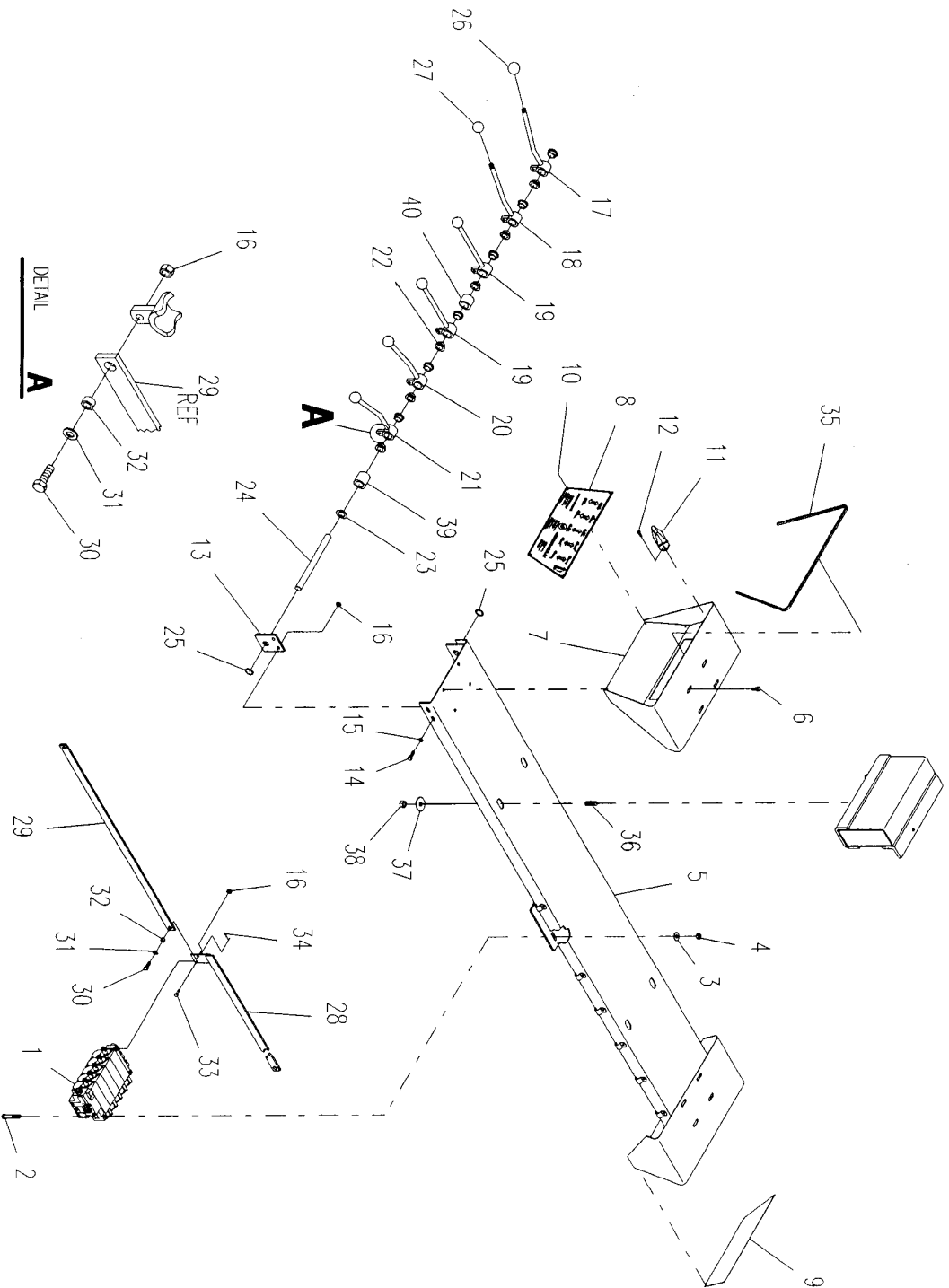
PARTS LIST — DUAL CONTROLS — INBOARD TILT CYLINDERS

Ref. No.	Part No.	Description	Qty.
1	3935000077	Control Valve (A)	1
	3935000075	Control Valve (B,D)	
	3935000076	Control Valve (C)	
	3935000078	Control Valve (E)	
	3935000079	Control Valve (F)	
2	7111163250	Bolt	3
3	7950160161	Washer	3
4	7660161605	Nut	3
5	3177000041	Channel (A,B,C,D,E)	1
	3177000040	Channel (F)	1
6	7115150625	Screw	8
7	3560000005	Control Hood	2
8	7330000169	Control Panel Placard - LH (A,D,E)	1
	7330000191	Control Panel Placard - LH (B,C)	
	7330000219	Control Panel Placard - LH (F)	
9	7330000170	Control Panel Placard - RH (A,D,E)	1
	7330000192	Control Panel Placard - RH (B,C)	
	7330000220	Control Panel Placard - RH (F)	
10	7759000004	Rivet	8
11	7590000087	Lamp	2
12	7790101276	Screw	4
13	4606000065	Lug	4
14	7111150864	Carriage Bolt	8
15	7950150000	Lock Washer	8
16	7660152601	Locknut (A)	17
	7660152601	Locknut (B,C,D)	20
	7660152601	Locknut (E)	23
	7660152601	Locknut (F)	26
	3551000042	Handle (E,F)	2
17	3551000042	Handle (E,F)	2
18	3551000040	Handle (B,C,D,E,F)	2
19	3551000043	Handle (A,B,C,D,E)	2
	3551000043	Handle (F)	
20	3551000039	Handle	4
21	3551000041	Handle	2
22	7082000005	Bushing (A)	12
	7082000005	Bushing (B,C,D)	16
	7082000005	Bushing (E)	20
	7082000005	Bushing (F)	24
23	7950220141	Washer	2
24	4691000141	Pin (A,B,C,D,E)	2
	4691000263	Pin (F)	
25	7754000009	Retaining Ring	
26	7551000003	Knob - Red	2
27	7551000002	Knob - Black (A)	4
	7551000002	Knob - Black (B,C,D)	6
	7551000002	Knob - Black (E)	8
	7551000002	Knob - Black (F)	10
	3763000078	Control Rod (A)	3
28	3763000078	Control Rod (B,C,D)	4
	3763000078	Control Rod (E)	
	3763000078	Control Rod (F)	
	3763000078	Control Rod (F)	

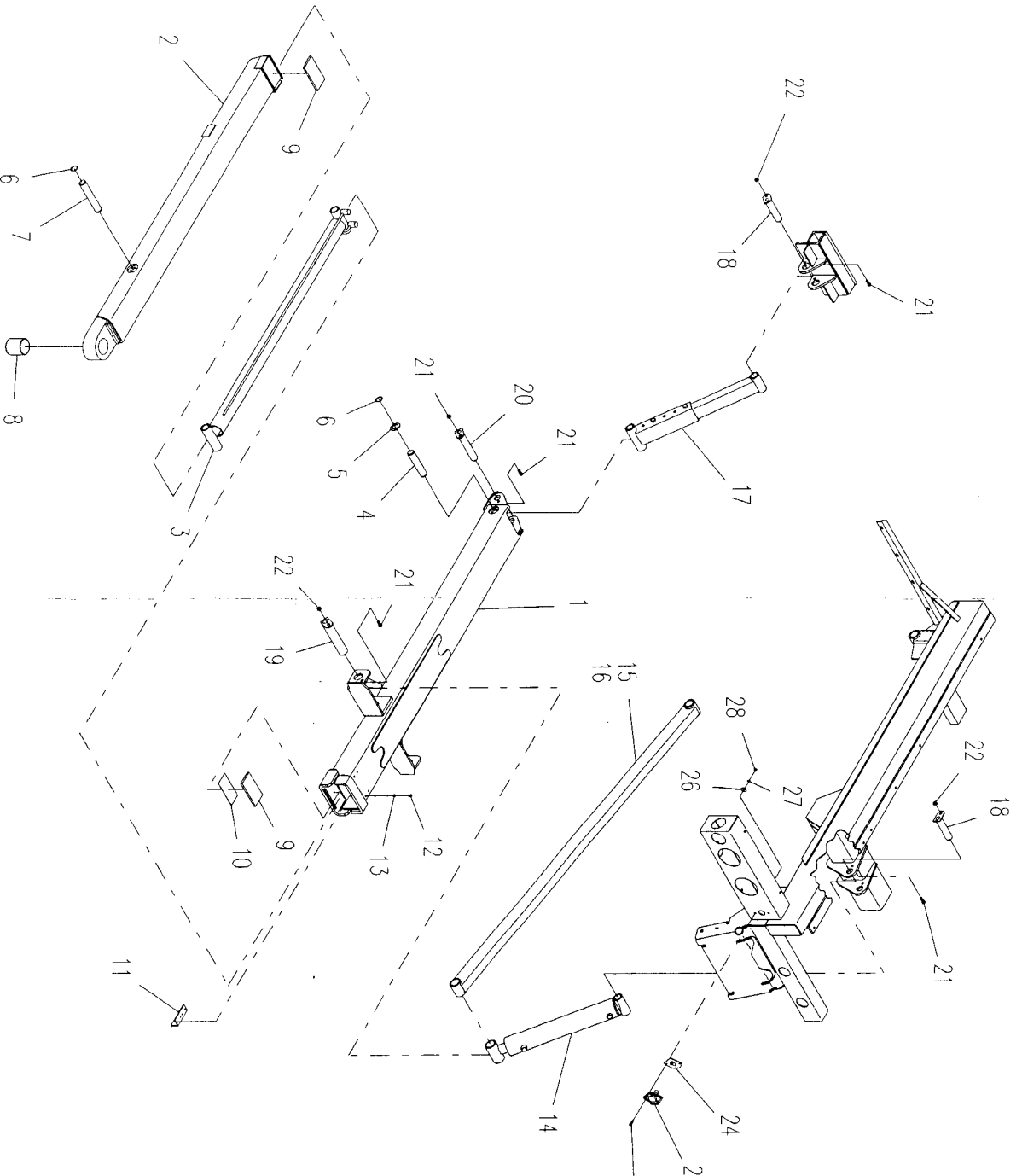
Ref. No.	Part No.	Description	Qty.
29	4763000210	Control Rod (A)	3
	4763000210	Control Rod (B,C,D)	4
	4763000210	Control Rod (E)	5
	4763000210	Control Rod (F)	6
30	7115150850	Capscrew (A)	9
	7115150850	Capscrew (B,C,D)	12
	7115150850	Capscrew (E)	15
	7115150850	Capscrew (F)	18
31	7949000011	Washer (A)	9
	7949000011	Washer (B,C,D)	12
	7949000011	Washer (E)	15
	7949000011	Washer (F)	18
32	4831000069	Spacer (A)	9
	4931000069	Spacer (B,C,D)	12
	4831000069	Spacer (E)	15
	4831000069	Spacer (F)	18
33	7690141200	Clevis Pin (A)	3
	7690141200	Clevis Pin (B,C,D)	4
	7690141200	Clevis Pin (E)	5
	7690141200	Clevis Pin (F)	6
34	7690000810	Cotter Pin (A)	3
	7960000810	Cotter Pin (B,C,D)	4
	7690000810	Cotter Pin (E)	5
	7690000810	Cotter Pin (F)	6
35	4632000004	Moulding	2
36	7866184240	Stud	4
37	7950180161	Washer	4
38	7660181601	Locknut	4
39	4209000021	Bushing (A)	4
	4209000021	Bushing (B,C,D)	2
40	4209000135	Bushing (F)	2

- A - Application with 3 Bank Valve
- B - Application with 4 Bank Valve (w/ Stabilizer)
- C - Application with 4 Bank Valve (w/ Stabilizer w/ Hitch)
- D - Application with 4 Bank Valve (w/ Hydraulic Towbar)
- E - Application with 5 Bank Valve (w/ IRL Wheellift or Towbar)
- F - Application with 6 Bank Valve (w/ ZOD Wheellift)

DUAL CONTROL-S-INBOARD TILT CYLINDERS



3000# IRL WHEELLIFT



PARTS LIST — 3000# IRL WHEELLIFT

Ref. No.	Part No.	Description	Qty.
1	3170000170	Outer Boom Weldment	1
2	3911000046	Inner Boom Weldment	1
3	3320000064	Cylinder Assembly	1
4	4691000268	Pin	1
5	7949000026	Washer	2
6	7754000006	Retaining Ring	4
7	4691000296	Pin	1
8	7209000030	Bushing	1
9	4679000046	Wear Pad	2
10	4706002195	Plate	1
11	4017000739	Angle	2
12	7118140418	Capscrew	4
13	7950100151	Washer	4
14	3320000084	Cylinder Assembly	2
15	3020000079	Arm Weldment LH	1
16	3020000080	Arm Weldment RH	1
17	3592000026	Adjustable Link	1
18	3691000164	Pin	2
19	3691000073	Pin	3
20	3691000069	Pin	1
21	7115160850	Capscrew	6
22	7660162301	Locknut	6
23	7291000003	Receptacle	1
24	7796000048	Gasket	1
25	7111140613	Screw	2
26	7950140161	Washer	2
27	7950140000	Lockwasher	2
28	7660140000	Nut	2

JERR-DAN

An Oshkosh Truck Corporation Company

4.41

Rev. _____

Date _____

PARTS LIST — 3000# ZOD WHEELIFT

Ref. No.	Part No.	Description	Qty.
1	3170000170	Outer Boom Weldment	1
2	3911000046	Inner Boom Weldment	1
3	3320000064	Cylinder Assembly	1
4	4691000268	Pin	1
5	7949000026	Washer	2
6	7754000006	Retaining Ring	4
7	4691000296	Pin	1
8	7209000030	Bushing	1
9	4679000046	Wear Pad	2
10	4706002195	Plate	1
11	4017000739	Angle	2
12	7118140418	Capscrew	4
13	7950100151	Washer	4
14	3320000084	Cylinder Assembly	2
15	3020000079	Arm Weldment LH	1
16	3020000080	Arm Weldment RH	1
17	3320000063	Cylinder Assembly	1
18	3691000164	Pin	2
19	3691000073	Pin	3
20	3691000069	Pin	1
21	7115160850	Capscrew	6
22	7660162301	Locknut	6
23	7291000003	Receptacle	1
24	7796000048	Gasket	1
25	7111140613	Screw	2
26	7950140161	Washer	2
27	7950140000	Lockwasher	2
28	7660140000	Nut	2

JERR-DAN

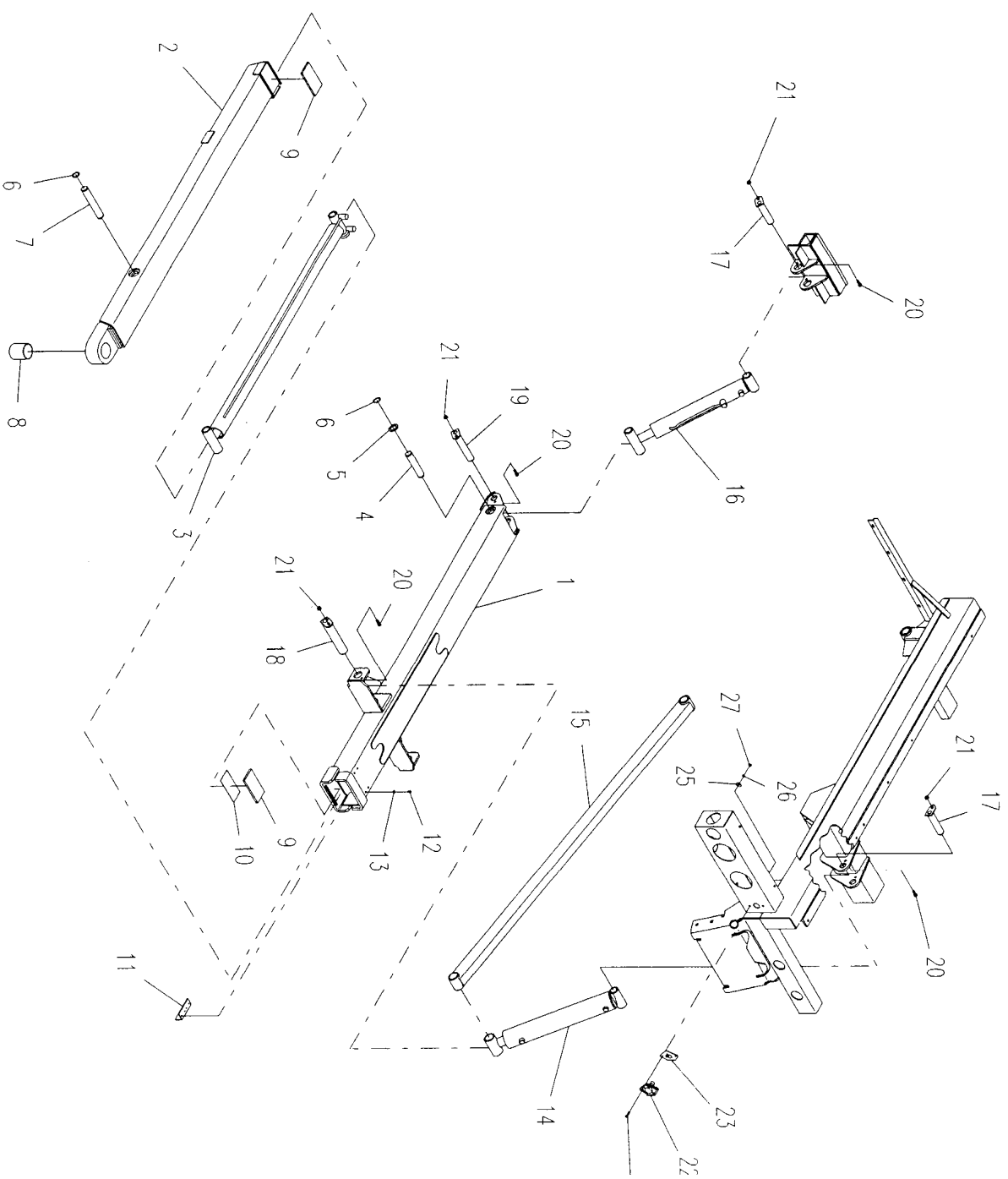
An Oshkosh Truck Corporation Company

4.42

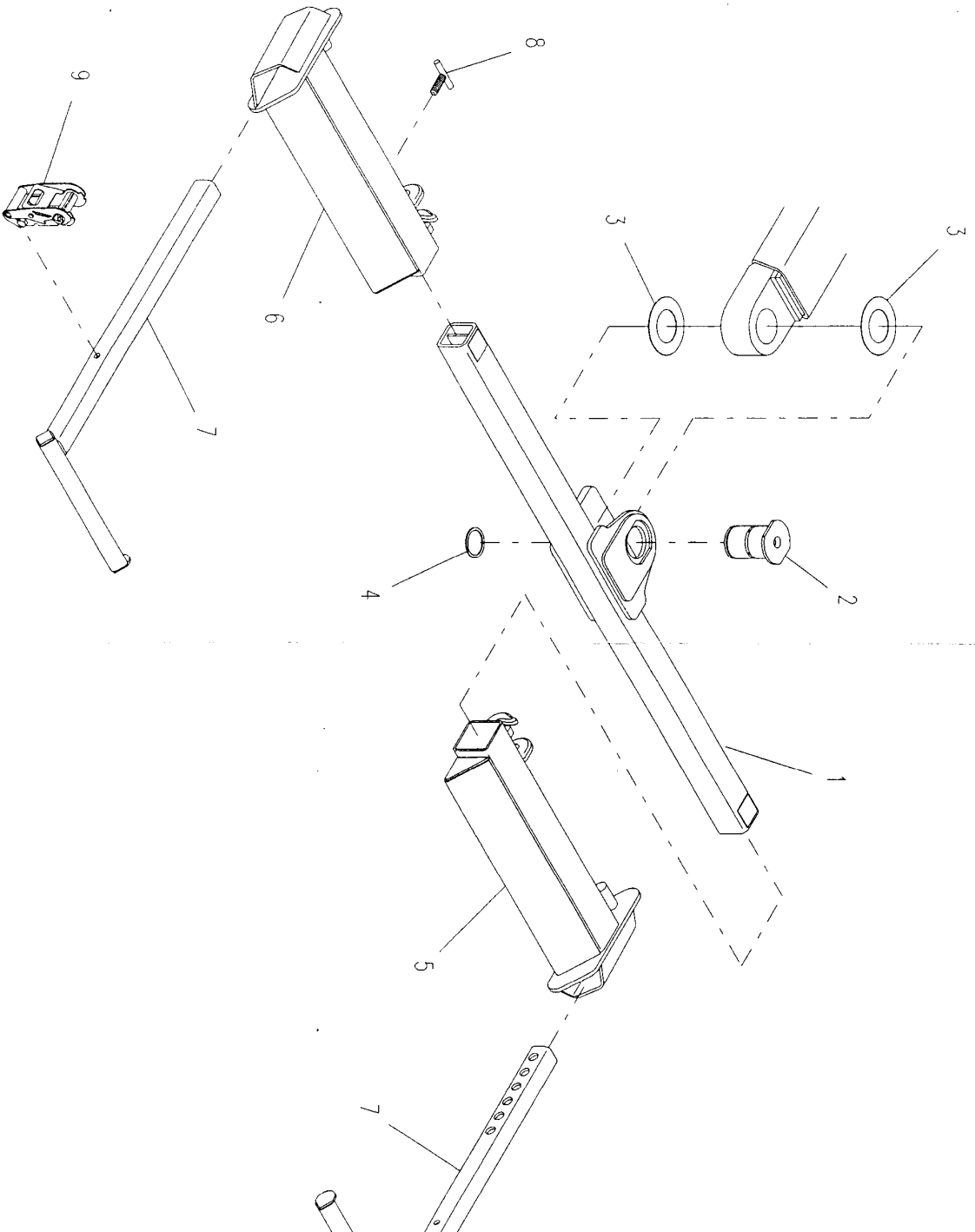
Rev. _____

Date _____

3 #ZOD WIRELIFT



3000# WHEELLIFT GRID ASSEMBLY



PARTS LIST — 3000# WHEELLIFT GRID ASSEMBLY

Ref. No.	Part No.	Description	Qty.
1	3913000057	Pivot Tube (A)	1
	3913000056	Pivot Tube (B)	
2	4691000278	Pin	1
3	4949000047	Washer	2
4	7754000024	Retaining Ring	1
5	3484000034	Grid Weldment - RH	1
6	3484000035	Grid Weldment - LH	1
7	3020000072	L-Arm	2
8	3551000036	T-Handle	2
9	7894000034	Ratchet and Strap	2

A - IRL Wheelift
B - ZOD Wheelift

JERR-DAN

An Oshkosh Truck Corporation Company

4.45

Rev. _____

Date _____

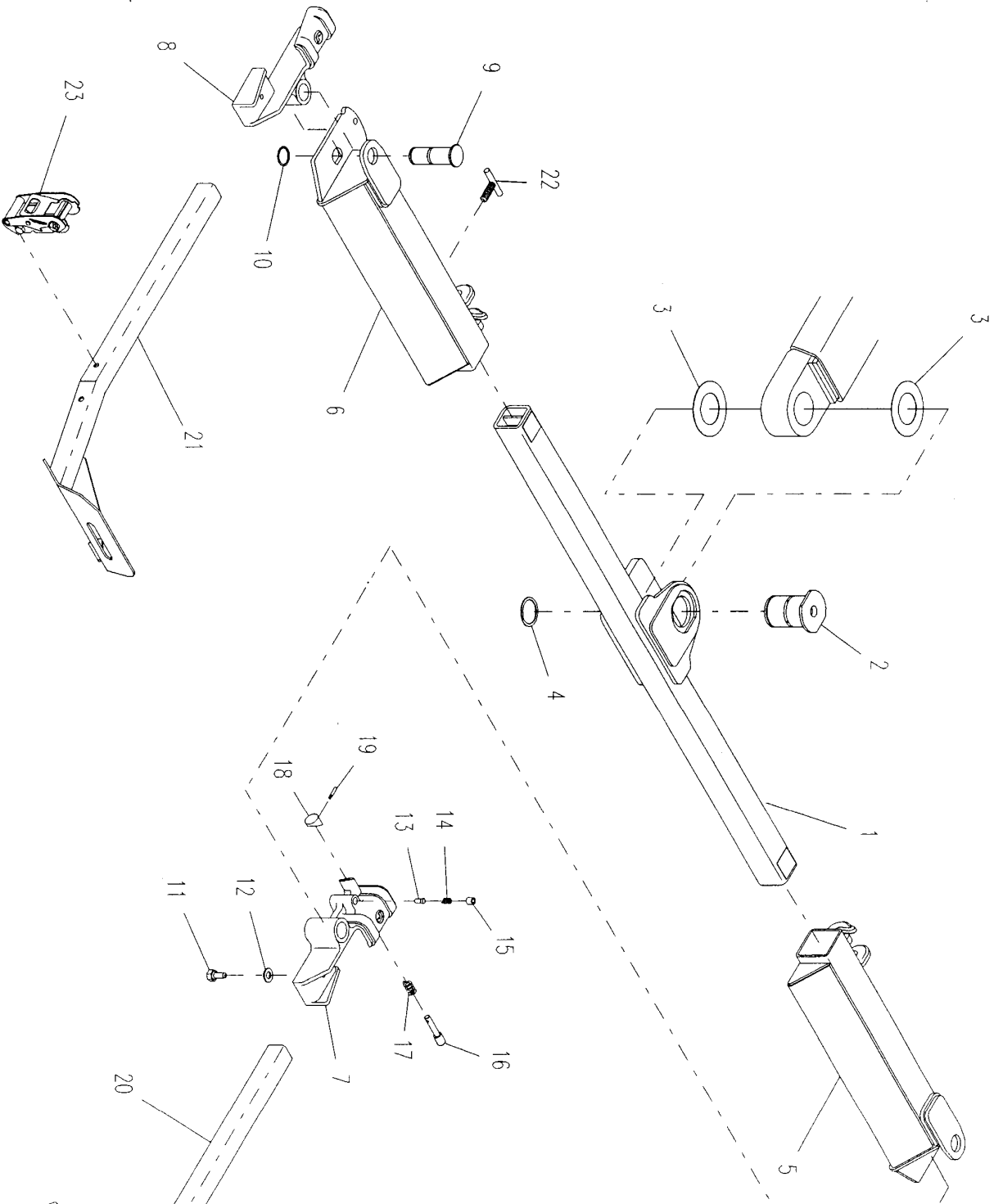
PARTS LIST — 3000# T37 PIVOTING WHEELLIFT GRID ASSEMBLY

Ref. No.	Part No.	Description	Qty.
1	3913000057	Pivot Tube (A)	1
	3913000056	Pivot Tube (B)	
2	4691000278	Pin	1
3	4949000047	Washer	2
4	7754000024	Retaining Ring	1
5	3484000050 ¹	Grid Weldment - RH	1
6	3484000051 ²	Grid Weldment - LH	1
7	4259000001 ¹	Pivot Casting - RH	1
8	4259000002 ²	Pivot Casting - LH	1
9	4691000357 ^{1,2}	Pin	2
10	7754000037 ^{1,2}	Retaining Ring	2
11	4691000354 ^{1,2}	Pin	2
12	7950200000 ^{1,2}	Washer	2
13	4691000183 ^{1,2}	Pin	2
14	7843000016 ^{1,2}	Spring	2
15	7786000006 ^{1,2}	Screw	2
16	4691000186 ^{1,2}	Pin	2
17	7843000006 ^{1,2}	Spring	2
18	4254000005 ^{1,2}	Cap	2
19	4763000184 ^{1,2}	Rod	2
20	3020000030	L-Arm - RH	1
21	3020000029	L-Arm - LH	1
22	3551000036	T-Handle	2
23	7894000034	Ratchet and Strap	2

A - IRL Wheelift
 B - ZOD Wheelift

¹ Also Available in Assembly #3484000052
² Also Available in Assembly #3484000053

3000# T37 PIVC G WHEEL/T T GRID ASSEMBLY

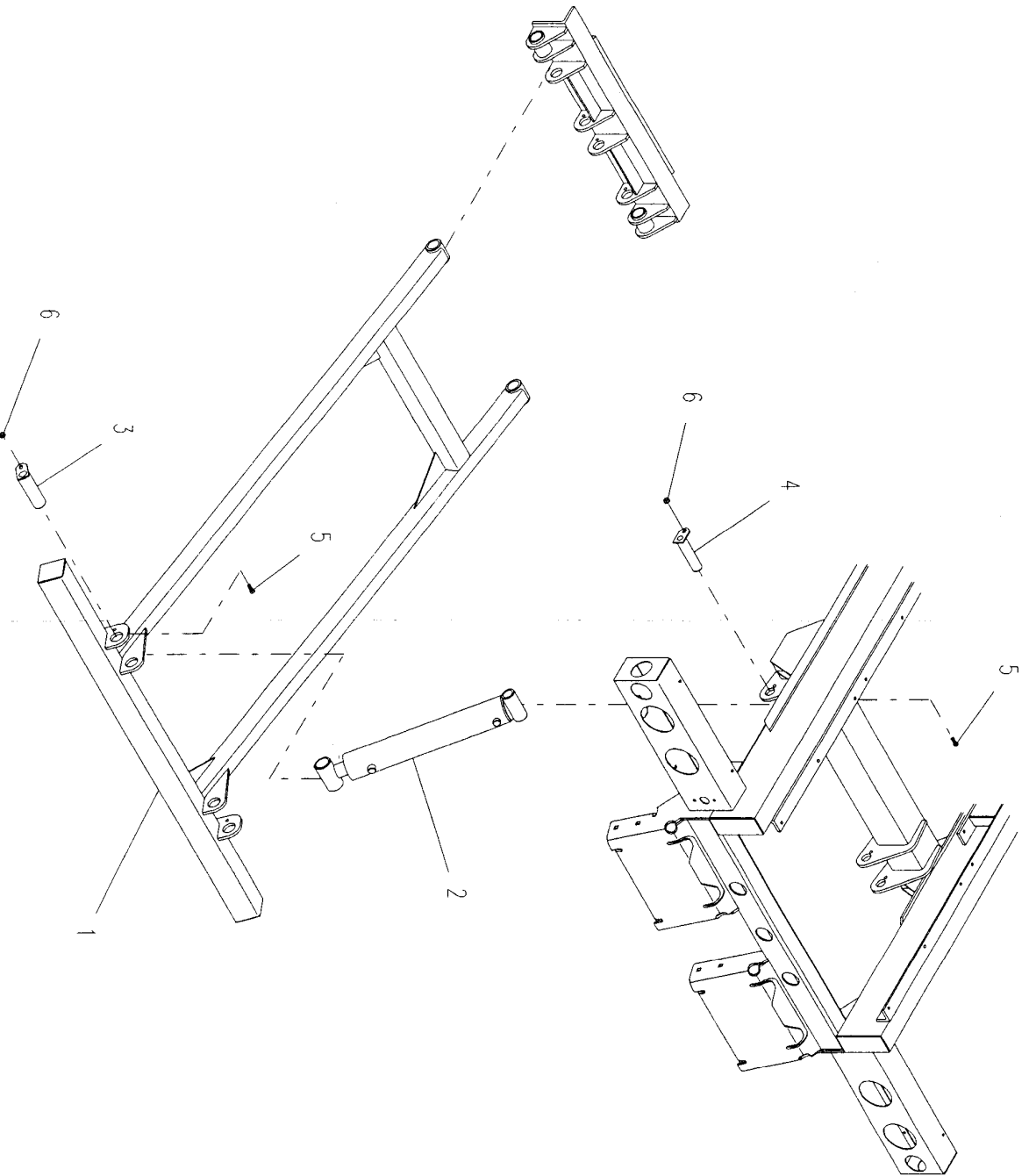


JERRDAN
An Oshkosh Truck Corporation Company

4.47

Rev. _____
Date _____

HYDRAULIC REAR DOCK STABILIZER



PARTS LIST — HYDRAULIC REAR DOCK STABILIZER

Ref. No.	Part No.	Description	Qty.
1	3849000009	Stabilizer Arm	1
2	3320000075	Cylinder Assembly	2
3	3691000165	Pin	2
4	3691000073	Pin	2
5	7115160850	Capscrew	4
6	7660162301	Locknut	4

JERR-DAN

An Oshkosh Truck Corporation Company

4.49

Rev. _____

Date _____

PARTS LIST — HYDRAULIC COMPONENTS

Ref. No.	Part No.	Description	Qty.
1	7724000021	Pump	1
2	**	Supply Hose	1
3	**	Pressure Hose Assembly	1
4	**	Return Hose	1
5	4567123044	Hose Assembly	1
6	4567122032	Hose Assembly	1
7	4567123033	Hose Assembly	1
8	4567122100	Hose Assembly	1
9	4567120019	Hose Assembly	4
10	4569433111	Hose Assembly	1
11	4569432111	Hose Assembly	1
12	4567430114	Hose Assembly (19' Deck)	2
	4567430129	Hose Assembly (21' Deck)	
13	7445081643	Adapter	1
14	7443000023	Elbow	1
15	7443000101	Adapter	1
16	7443000013	Nipple	1
17	7274000002	Clamp	1
18	7430000003	Filter Head and Element	1
19	7470000002	Gauge	1
20	7445161250	Reducer	1
21	7443000169	Adapter	1
22	7274000047	Clamp	1
23	7445081045	Elbow	2
24	4443000003	Adapter	1
25	7445060843	Adapter	4
26	7445080843	Adapter	3
27	7443000196	Restrictor	2
28	7445080845	Elbow	1
29	7445060645	Elbow	4
30	7445060637	Tee	2
31	7431000004	Filter Element	1
32	4567120112	Hose Assembly	1
33	4570000097	Hose Assembly	1
34	7445060645	Elbow	2
35	7445040645	Elbow	1
36	7445040219	Adapter	1

** Consult factory for part numbers

JERR-DAN

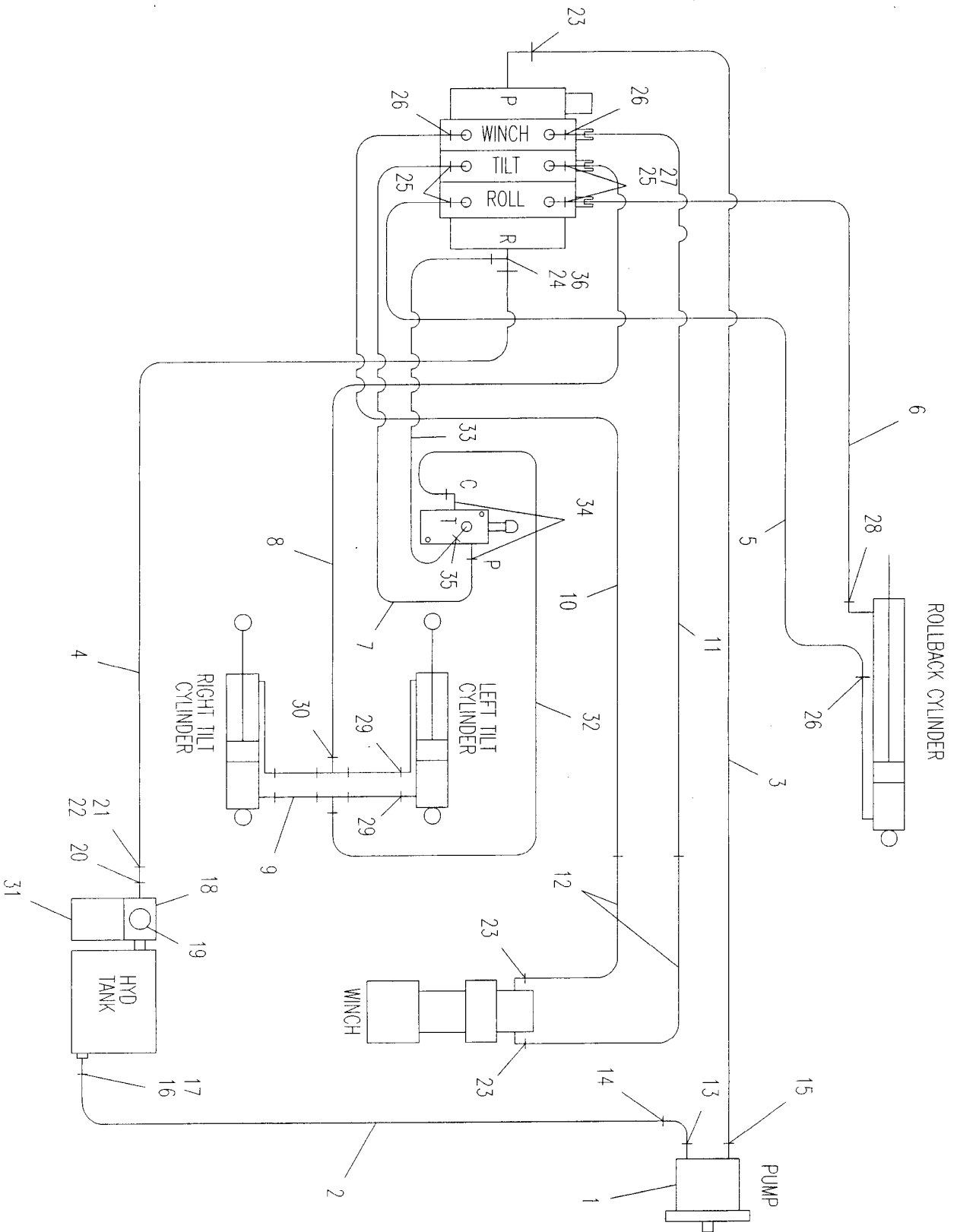
An Oshkosh Truck Corporation Company

4.50

Rev. _____

Date _____

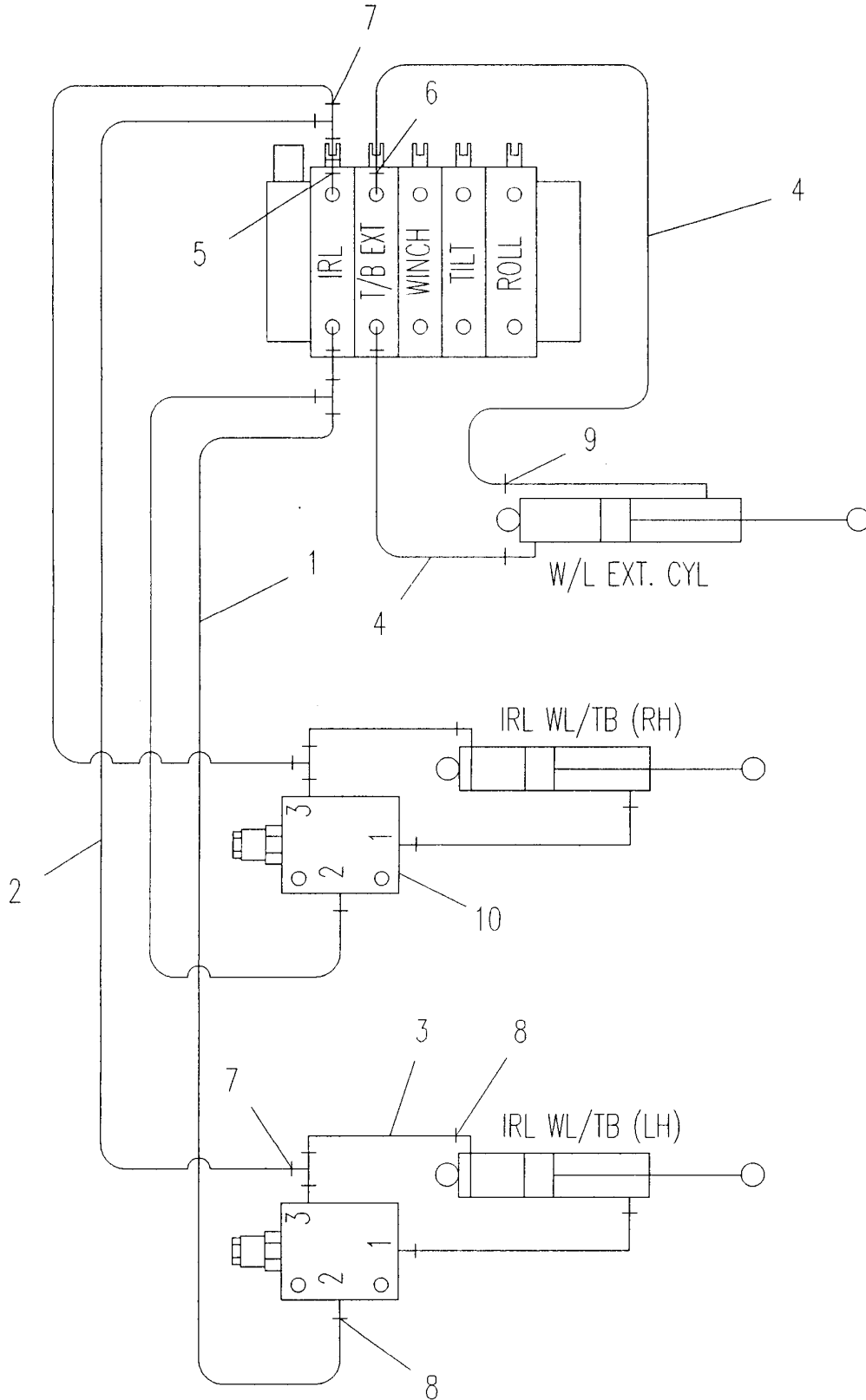
HYDRAULIC COMPONENTS



PARTS LIST — HYDRAULIC COMPONENTS - IRL WHEELLIFT

Ref. No.	Part No.	Description	Qty.
1	4567122030	Hose Assembly	2
2	4567123033	Hose Assembly	2
3	4567122013	Hose Assembly	2
4	4567110032	Hose Assembly	2
5	7443000129	Reducer	2
6	7443040643	Adapter	2
7	7445060648	Tee	4
8	7445060645	Elbow	4
9	7445040446	Elbow	2
10	7935000177	Counter Balance Valve	2

HYDRAULIC COMPONENTS - IRL WHEELIFT



PARTS LIST — HYDRAULIC COMPONENTS - ZOD WHEELLIFT

Ref. No.	Part No.	Description	Qty.
1	4567122030	Hose Assembly	2
2	4567123033	Hose Assembly	2
3	4567122013	Hose Assembly	2
4	4567120025	Hose Assembly	2
5	4567110034	Hose Assembly	2
6	7443000129	Reducer	2
7	7445060843	Adapter	2
8	7443040643	Adapter	2
9	7445060648	Tee	4
10	7445060645	Elbow	2
11	7445060643	Adapter	2
12	7445040446	Elbow	2
13	7935000177	Counter Balance Valve	2

JERR-DAN

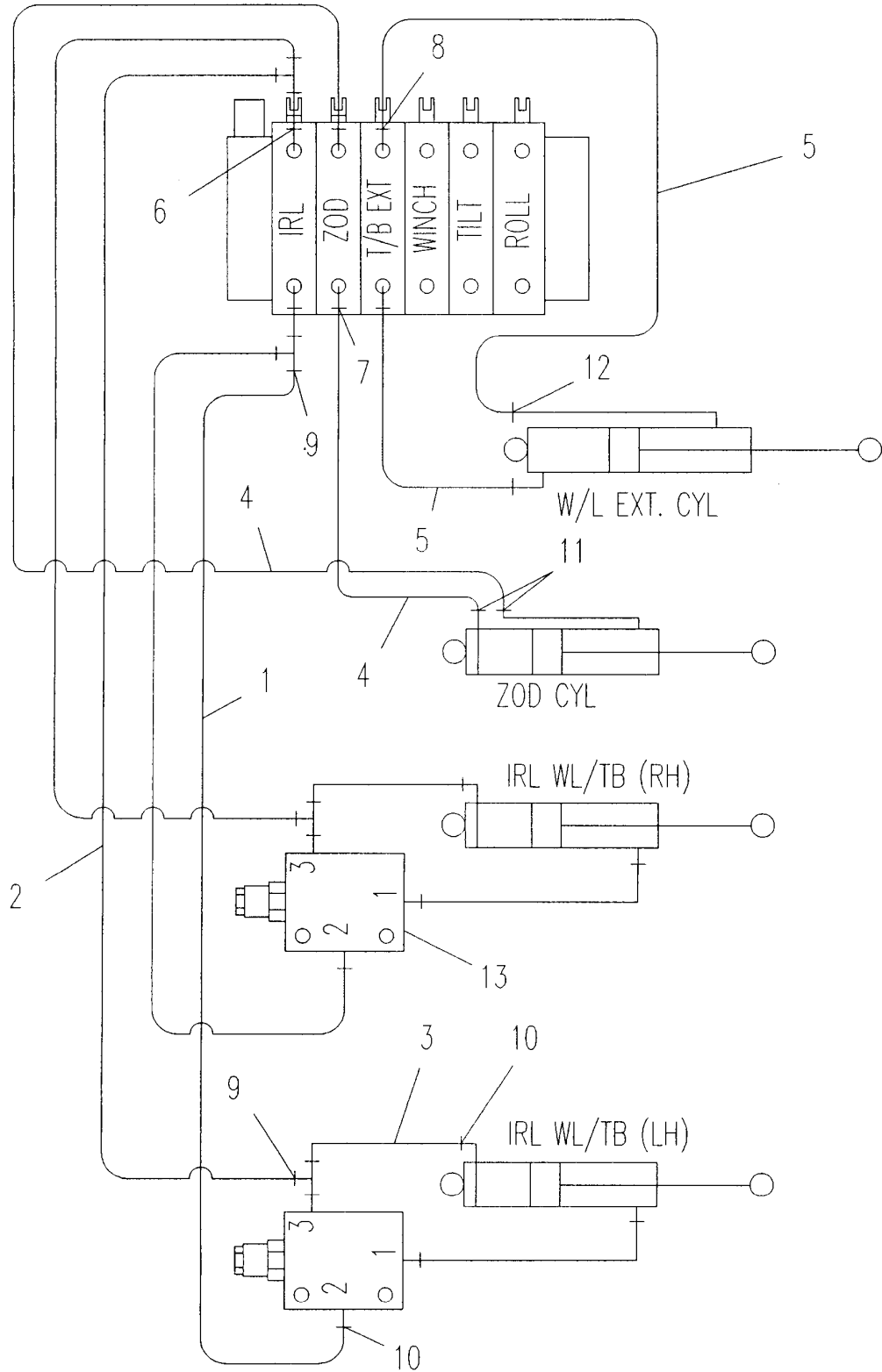
An Oshkosh Truck Corporation Company

4.54

Rev. _____

Date _____

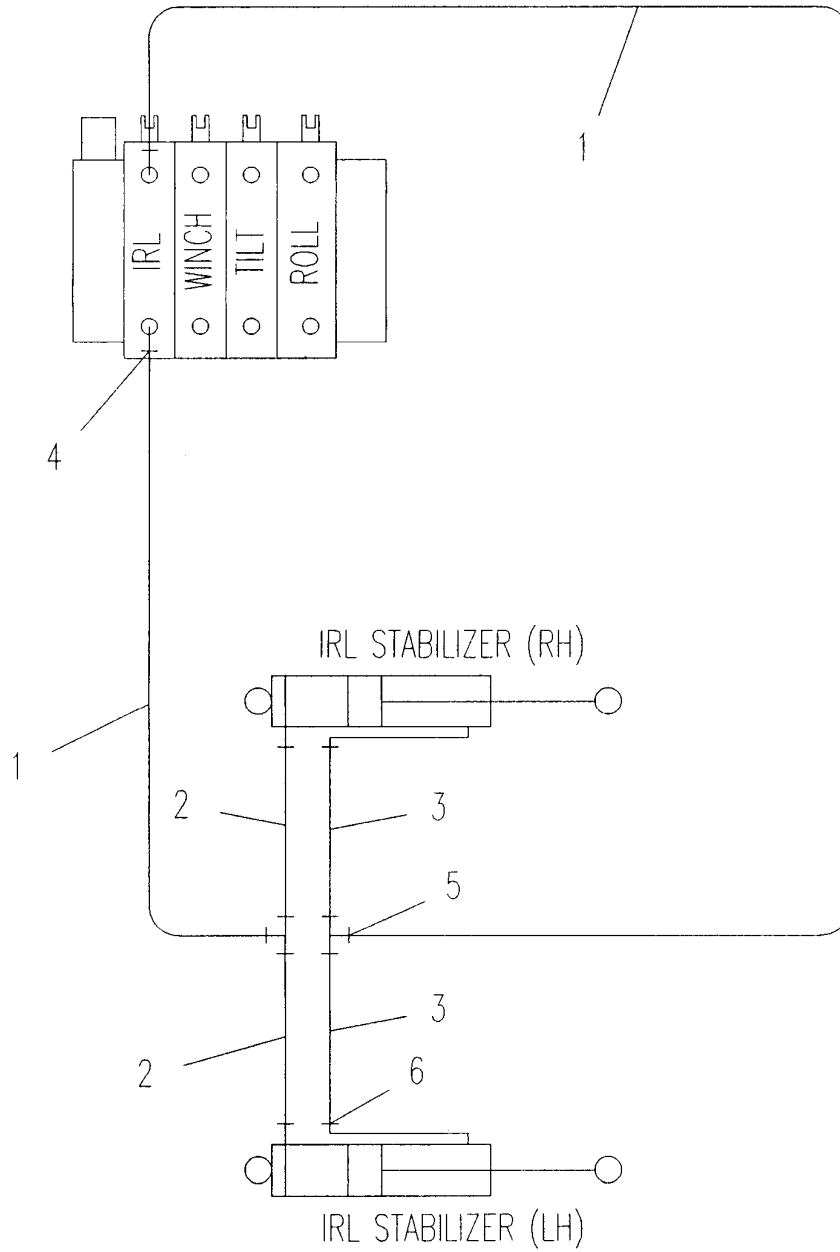
HYDRAULIC COMPONENTS - ZOD WHEELIFT



PARTS LIST — HYDRAULIC COMPONENTS - STABILIZER

Ref. No.	Part No.	Description	Qty.
1	4567122017	Hose Assembly	2
2	4567120016	Hose Assembly	2
3	4567120026	Hose Assembly	2
4	7445060843	Adapter	2
5	7445060637	Tee	2
6	7445060645	Elbow	2

HYDRAULIC COMPONENTS - STABILIZER



PARTS LIST — ELECTRICAL COMPONENTS

Ref. No.	Part No.	Description	Qty.
1	7552000127	Wiring Harness - Subframe/Deck	1
2	7552000065	Wiring Harness - Subframe	1
3	7552000126	Wiring Harness - Subframe/Cab	1
4	7552000177	Wiring Harness - Deck	1
5	7552000064	Wiring Harness - Adapter (3500HD)	1
	3590000015	Plug Kit (Except IHC 4700, 3500HD)	
6	7297000008	Converter (Foreign Chassis Only)	1
7	7457000004	Circuit Breaker	1
8	7790100856	Screw	2
9	7345221902	Terminal	2
10	7950100151	Flatwasher	2
11	7345241902	Terminal	1

JERR-DAN

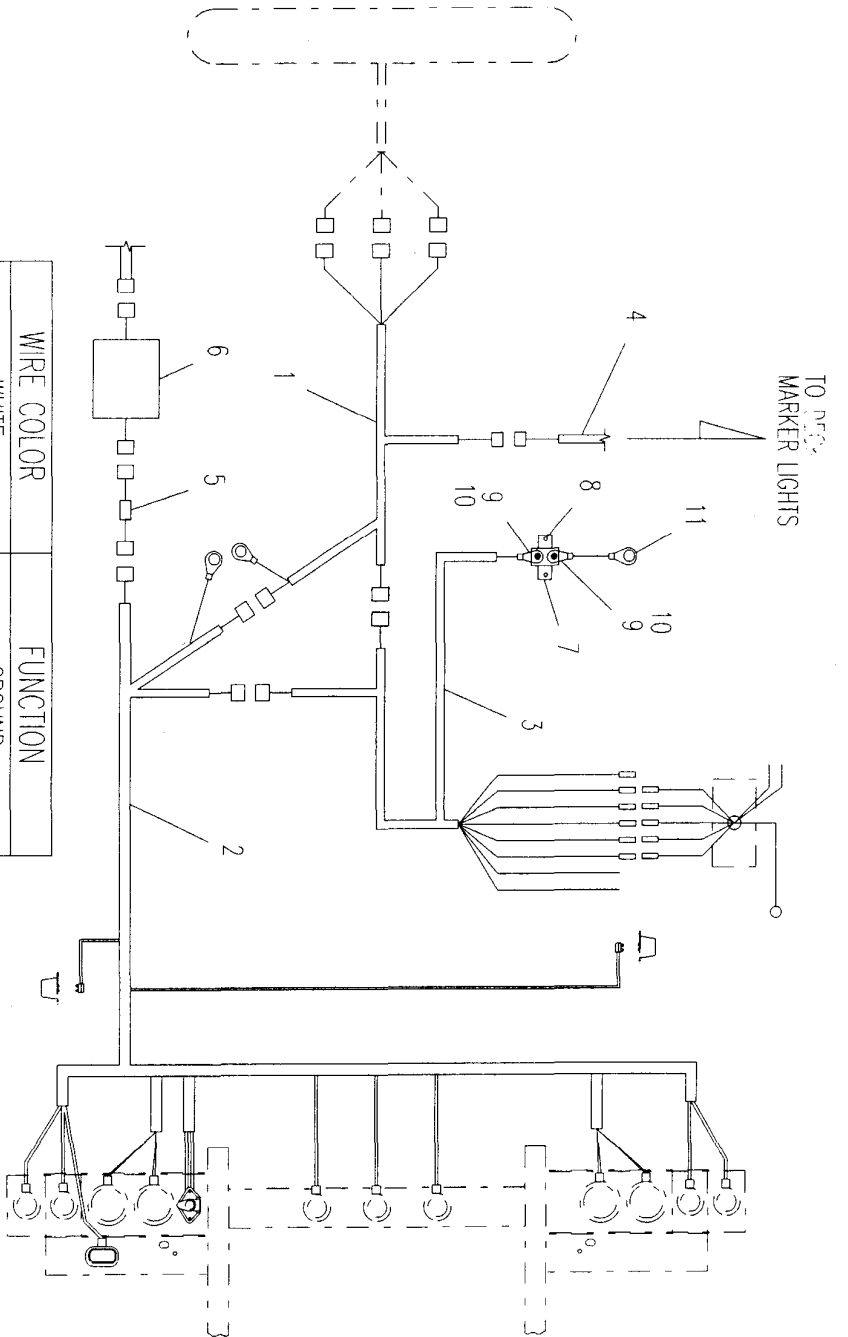
An Oshkosh Truck Corporation Company

4.58

Rev. _____

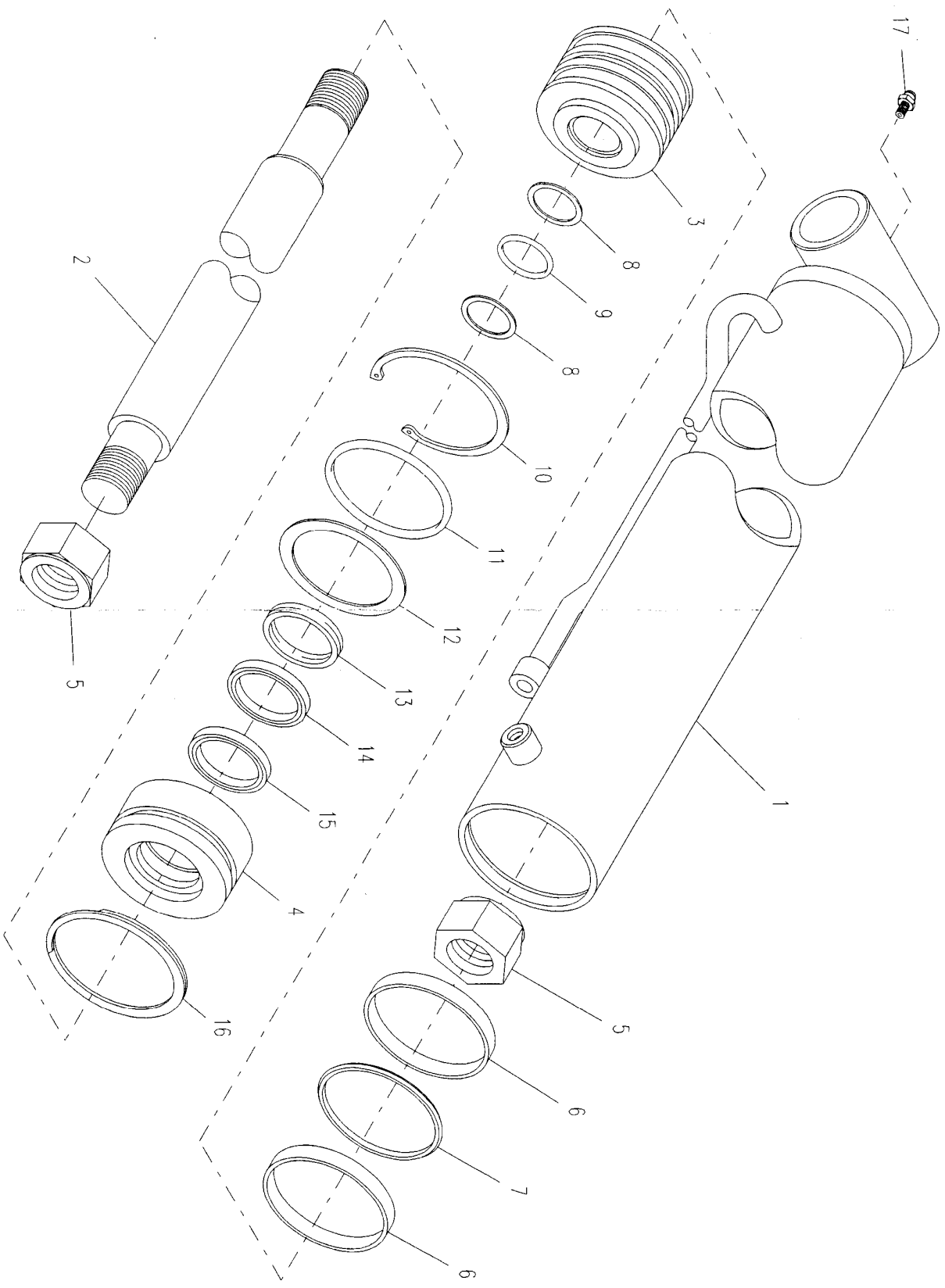
Date _____

ELECTRICAL COMPONENTS



WIRE COLOR	FUNCTION
WHITE	GROUND
BROWN	CLEARANCE
GREEN	RH STOP/TURN
YELLOW	LH STOP/TURN
BLACK	BACK-UP
BLUE	AUX
PURPLE	FLOOD
GRAY	BEACON (ROTATOR)
ORANGE	AUX1 (FLASHER)
LT BLUE/BLACK	OPTIONAL
LT BLUE	AUX2
RED	AUX POWER

ROLLBACK CYLINDER
3320000058



**PARTS LIST — ROLLBACK CYLINDER
3320000058**

Ref. No.	Part No.	Description	Qty.
1	3071000054	Barrel Weldment	1
2	4763000204	Rod	1
3	4698000007	Piston	1
4	4553000008	Head	1
5	7661000034	Locknut	2
6	7754000003*	Wear Ring	2
7	7796000063*	Locking "T" Seal	1
8	7755224609*	Back-up Ring	2
9	7755224000*	"O" Ring	1
10	7754000002*	Retaining Ring	1
11	7755334000*	"O" Ring	1
12	7755334609*	Back-up Ring	1
13	7754000004*	Wear Ring	1
14	7796000024*	Rod Seal	1
15	7796000008*	Rod Wiper Seal	1
16	7754000026*	Retaining Ring	1
17	7440030000	Grease Fitting	1

*Available only in Service Kit #7577250024

JERR-DAN

An Oshkosh Truck Corporation Company

4.61

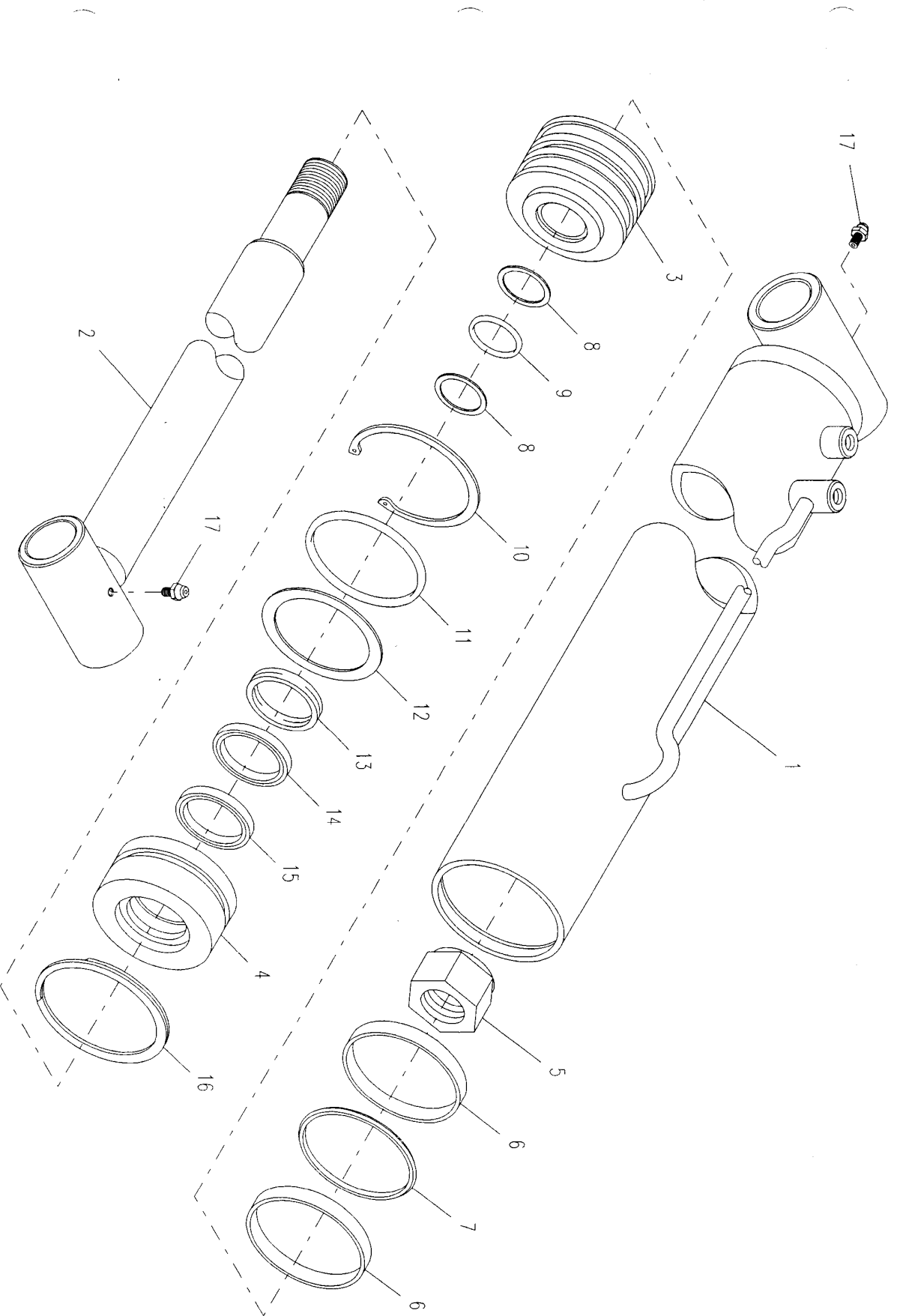
Rev. _____
Date _____

**PARTS LIST — TILT CYLINDER - STANDARD
332000062**

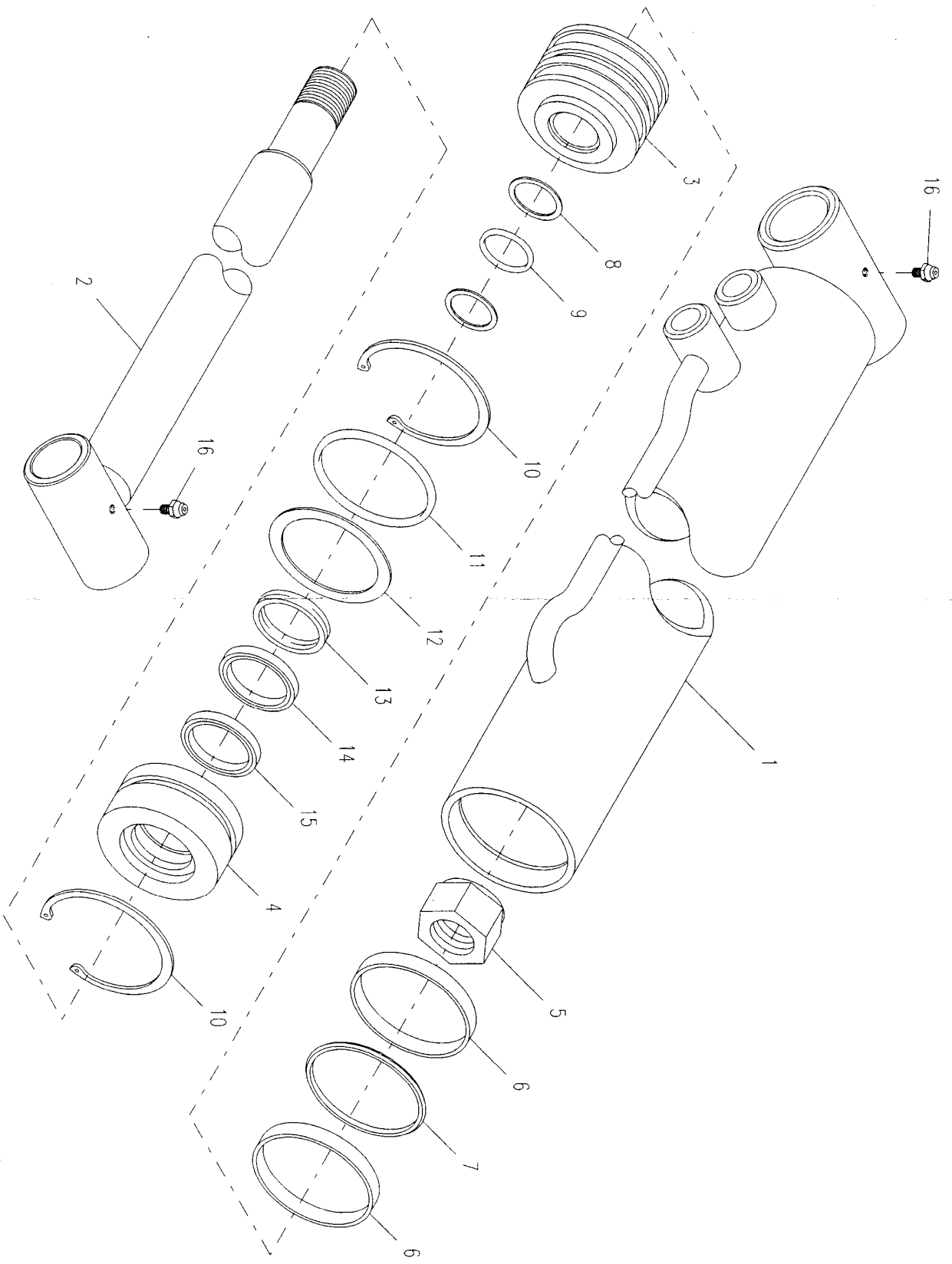
Ref. No.	Part No.	Description	Qty.
1	3071000058	Barrel Weldment	1
2	3763000080	Rod Weldment	1
3	4698000015	Piston	1
4	4553000016	Head	1
5	7661000034	Locknut	1
6	7754000053*	Wear Ring	2
7	7796000067*	Locking "T" Seal	1
8	7755222609*	Back-up Ring	2
9	7755222000*	"O" Ring	1
10	7754000051*	Retaining Ring	2
11	7755330000*	"O" Ring	1
12	7755330609*	Back-up Ring	1
13	7754000054*	Wear Ring	1
14	7796000045*	Rod Seal	1
15	7796000046*	Rod Wiper Seal	1
16	7440030000	Grease Fitting	2

*Available only in Service Kit #7577250206

TILT LINDER - STANDARD
3320000062



TILT CYLINDER - INBOARD
3320000059



PARTS LIST — TILT CYLINDER - INBOARD
332000059

Ref. No.	Part No.	Description	Qty.
1	3071000055	Barrel Weldment	1
2	3763000076	Rod Weldment	1
3	4698000015	Piston	1
4	4553000016	Head	1
5	7661000034	Locknut	1
6	7754000053*	Wear Ring	2
7	7796000067*	Locking "T" Seal	1
8	7755222609*	Back-up Ring	2
9	7755222000*	"O" Ring	1
10	7754000051*	Retaining Ring	2
11	7755330000*	"O" Ring	1
12	7755330609*	Back-up Ring	1
13	7754000054*	Wear Ring	1
14	7796000045*	Rod Seal	1
15	7796000046*	Rod Wiper Seal	1
16	7440030000	Grease Fitting	2

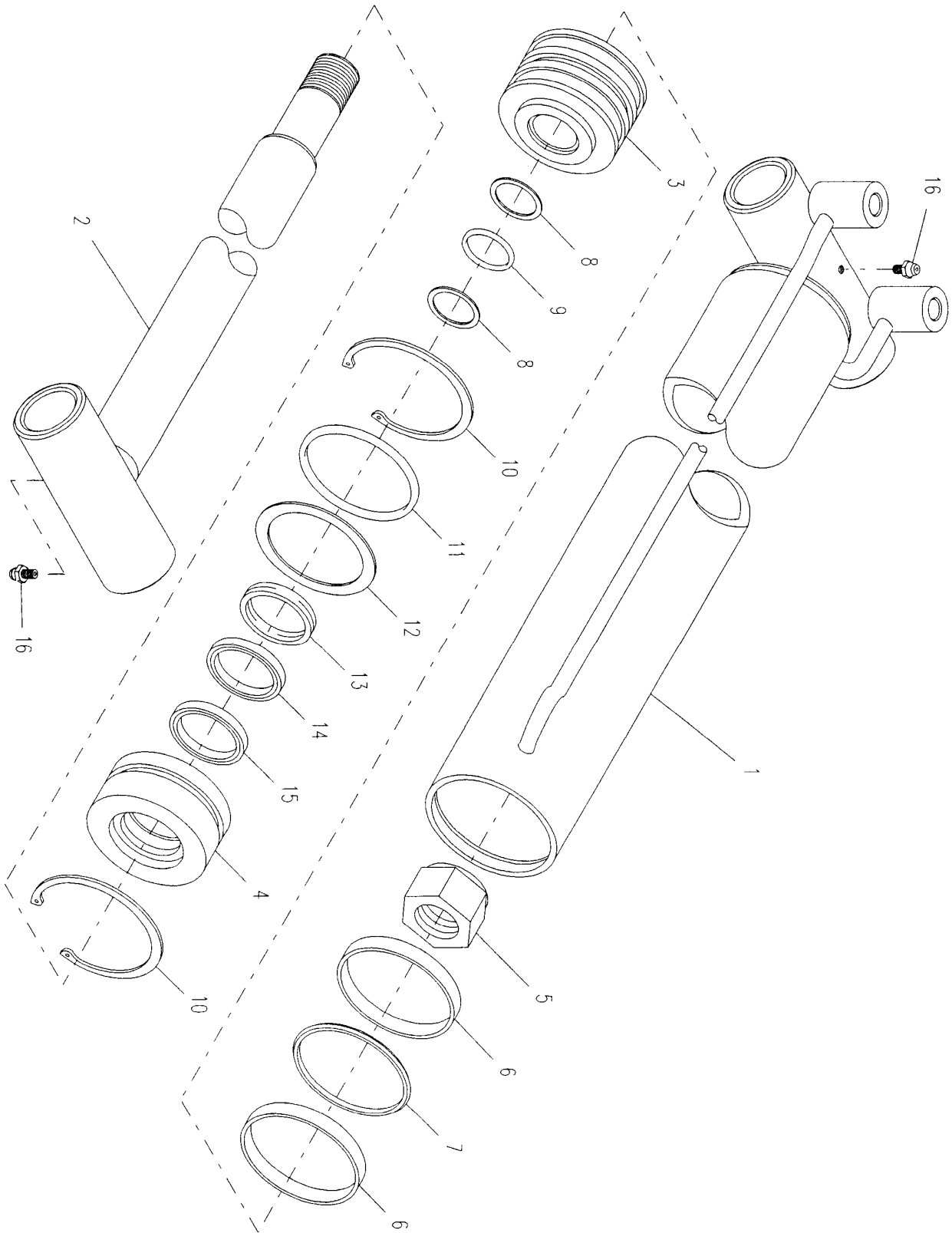
* Available only in Service Kit #7577250206

**PARTS LIST — WHEELIFT EXTEND CYLINDER
3320000064**

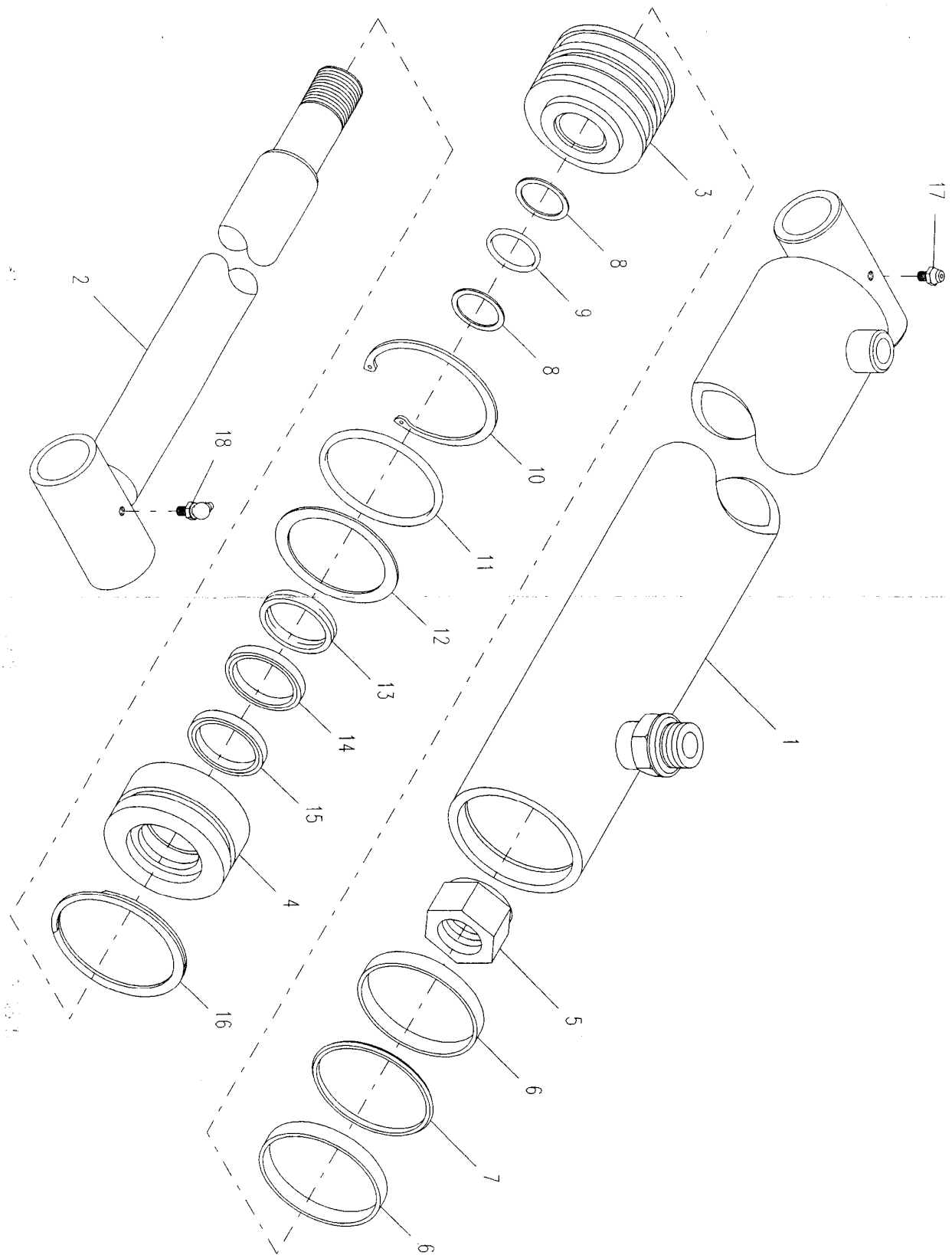
Ref. No.	Part No.	Description	Qty.
1	3071000060	Barrel Weldment	1
2	3763000074	Rod Weldment	1
3	4698000015	Piston	1
4	4553000016	Head	1
5	7661000034	Locknut	1
6	7754000053*	Wear Ring	2
7	7796000067*	Locking "T" Seal	1
8	7755222609*	Back-up Ring	2
9	7755222000*	"O" Ring	1
10	7754000051*	Retaining Ring	2
11	7755330000*	"O" Ring	1
12	7755330609*	Back-up Ring	1
13	7754000054*	Wear Ring	1
14	7796000045*	Rod Seal	1
15	7796000046*	Rod Wiper Seal	1
16	7440030000	Grease Fitting	2

*Available only in Service Kit #7577250206

WHEEL TOW BAR CYLINDER
339000064



IRL CYLINDER
3320000084



**PARTS LIST — IRL CYLINDER
332000084**

Ref. No.	Part No.	Description	Qty.
1	3071000078	Barrel Weldment	1
2	3763000091	Rod Weldment	1
3	4698000007	Piston	1
4	4553000008	Head	1
5	7661000034	Locknut	1
6	7754000003*	Wear Ring	2
7	7796000063*	Locking "T" Seal	1
8	7755224609*	Back-up Ring	2
9	7755224000*	"O" Ring	1
10	7754000002*	Retaining Ring	1
11	7755334000*	"O" Ring	1
12	7755334609*	Back-up Ring	1
13	7754000004*	Wear Ring	1
14	7796000024*	Rod Seal	1
15	7796000008*	Rod Wiper Seal	1
16	7754000026*	Retaining Ring	1
17	7440030000	Grease Fitting	1
18	7440030200	Grease Fitting	1

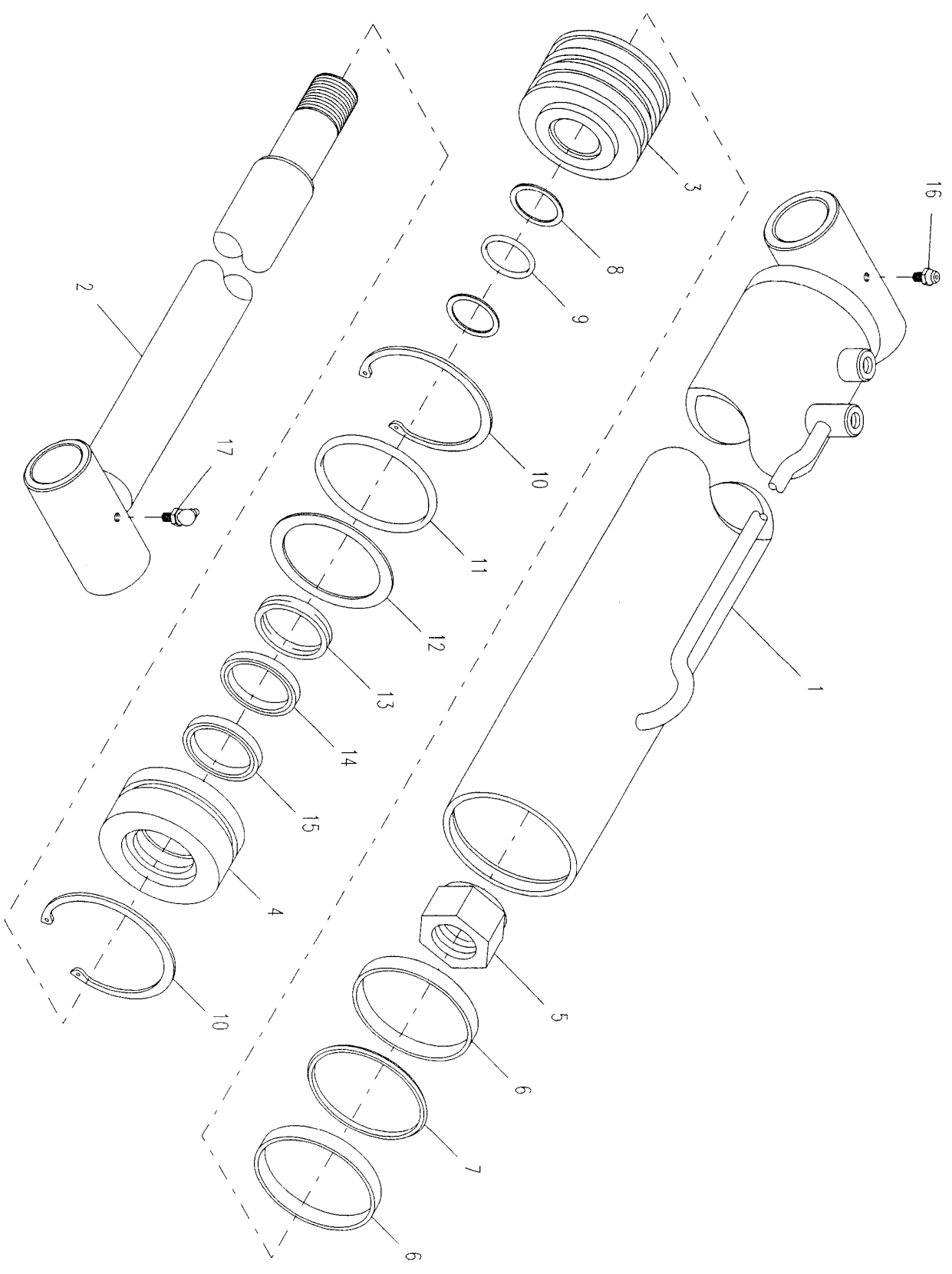
*Available only in Service Kit #7577250024

**PARTS LIST — ZOD CYLINDER
3320000063**

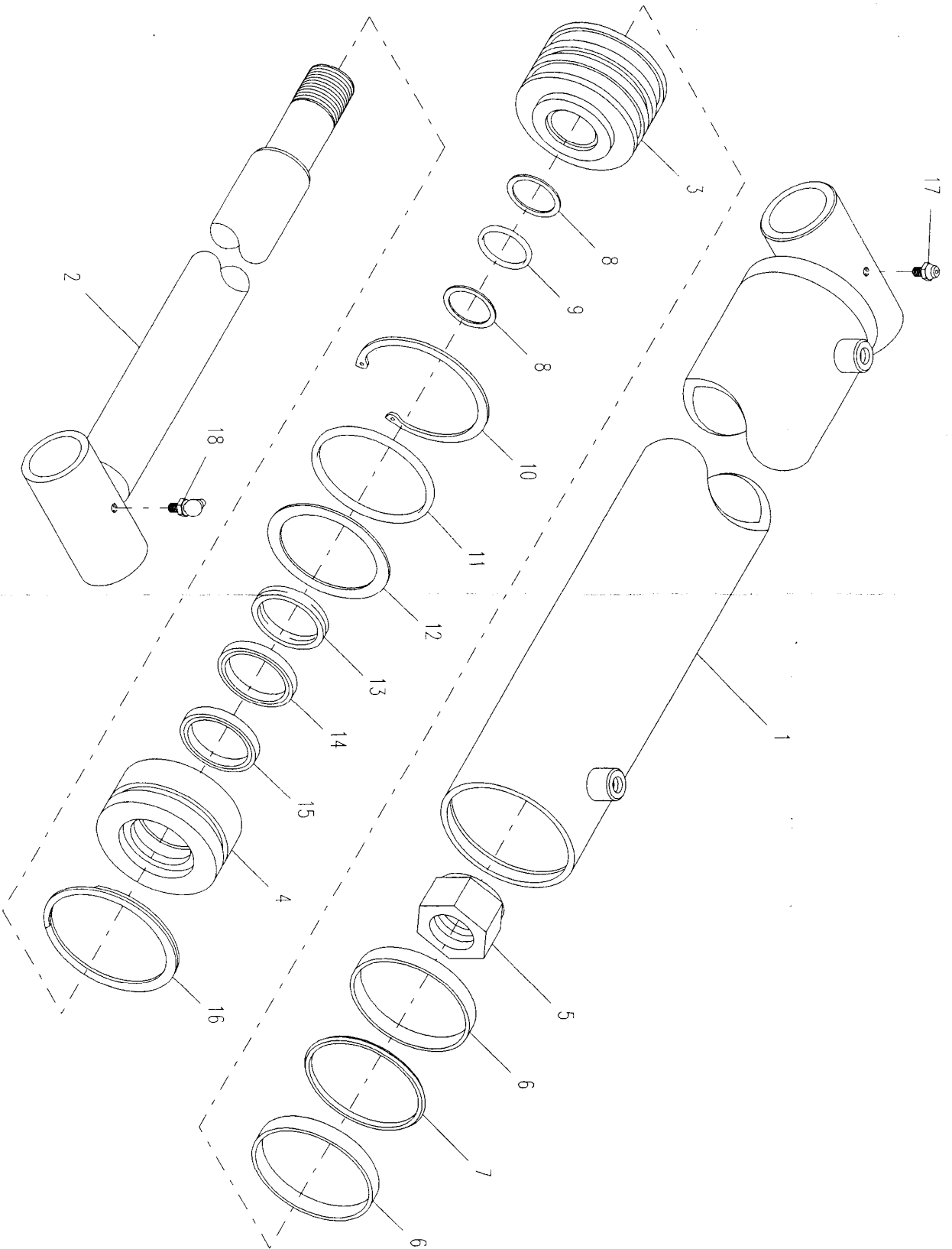
Ref. No.	Part No.	Description	Qty.
1	3071000059	Barrel Weldment	1
2	3763000081	Rod Weldment	1
3	4698000015	Piston	1
4	4553000016	Head	1
5	7661000034	Locknut	1
6	7754000053*	Wear Ring	2
7	7796000067*	Locking "T" Seal	1
8	7755222609*	Back-up Ring	2
9	7755222000*	"O" Ring	1
10	7754000051*	Retaining Ring	2
11	7755330000*	"O" Ring	1
12	7755330609*	Back-up Ring	1
13	7754000054*	Wear Ring	1
14	7796000045*	Rod Seal	1
15	7796000046*	Rod Wiper Seal	1
16	7440030000	Grease Fitting	1
17	7440030200	Grease Fitting	1

*Available only in Service Kit #7577250206

70D CYLINDER
3320000063



STABILIZER CYLINDER
3320000075



**PARTS LIST — STABILIZER CYLINDER
3320000075**

Ref. No.	Part No.	Description	Qty.
1	3071000057	Barrel Weldment	1
2	3763000091	Rod Weldment	1
3	4698000007	Piston	1
4	4553000008	Head	1
5	7661000034	Locknut	1
6	7754000003*	Wear Ring	2
7	7796000063*	Locking "T" Seal	1
8	7755224609*	Back-up Ring	2
9	7755224000*	"O" Ring	1
10	7754000002*	Retaining Ring	1
11	7755334000*	"O" Ring	1
12	7755334609*	Back-up Ring	1
13	7754000004*	Wear Ring	1
14	7796000024*	Rod Seal	1
15	7796000008*	Rod Wiper Seal	1
16	7754000026*	Retaining Ring	1
17	7440030000	Grease Fitting	1
18	7440030200	Grease Fitting	1

*Available only in Service Kit #7577250024