

PARTS MANUAL

STANDARD DUTY CARRIER

JERR-DAN[®]

An Oshkosh Truck Corporation Company

P/N: 5-376-000089
Rev 0 - March 01, 2006

Jerr-Dan Corporation
1080 Hykes Road
Greencastle, PA 17225
717-597-7111
www.jerr-dan.com

This manual covers the following Jerr-Dan Models:

NGAF - Pioneer Fixed Rail
 NGADF - Pioneer Aluminum Dual Angle Fixed Rail
 NGAR - Pioneer Aluminum Removable Rail
 NGAT - Pioneer Aluminum Transporter

WSRB - Steel Rustler
 RRSB - Steel B.I.C.
 SLPB - Steel Shark
 STRB - Steel B.I.C. Transporter

Jerr-Dan Corporation strives to provide information that is accurate, complete and useful. Descriptions and illustrative material contained within this manual are as accurate as known at the time of publication and are subject to change, without notice, as a result of continuous product improvements. Jerr-Dan reserves the right to amend the information in this document at any time without prior notice.

Information contained in this manual reflects how this vehicle was built at the factory. Modifications or additions by the distributor or owner are not reflected in this manual.

This parts manual does not include service parts information for the commercial chassis (IHC, Ford, GM, etc.). This parts information is provided by the chassis manufacturer.

When ordering parts, please refer to your unit's Sales Order Number, Serial Number and Model Number. This information can be found on the aluminum tag riveted to the front left corner of the deck as shown below:



Additional or replacement manuals can be ordered by calling Jerr-Dan Parts at 717-597-7111. Price and availability will be quoted at time of the request.

Please report any errors or ideas for improvement by contacting Jerr-Dan Corporation's Technical Publications Department at 717-597-7111 or by FAX at 717-593-2362.

Manufactured under various Patents with other Patents Pending.

Jerr-Dan and the Jerr-Dan logo are registered trademarks of Jerr-Dan Corporation, Greencastle, PA

The material in this document is confidential and the property of Jerr-Dan Corporation. No part of this document may be photocopied, reproduced or translated to another language without the express written consent of Jerr-Dan Corporation.

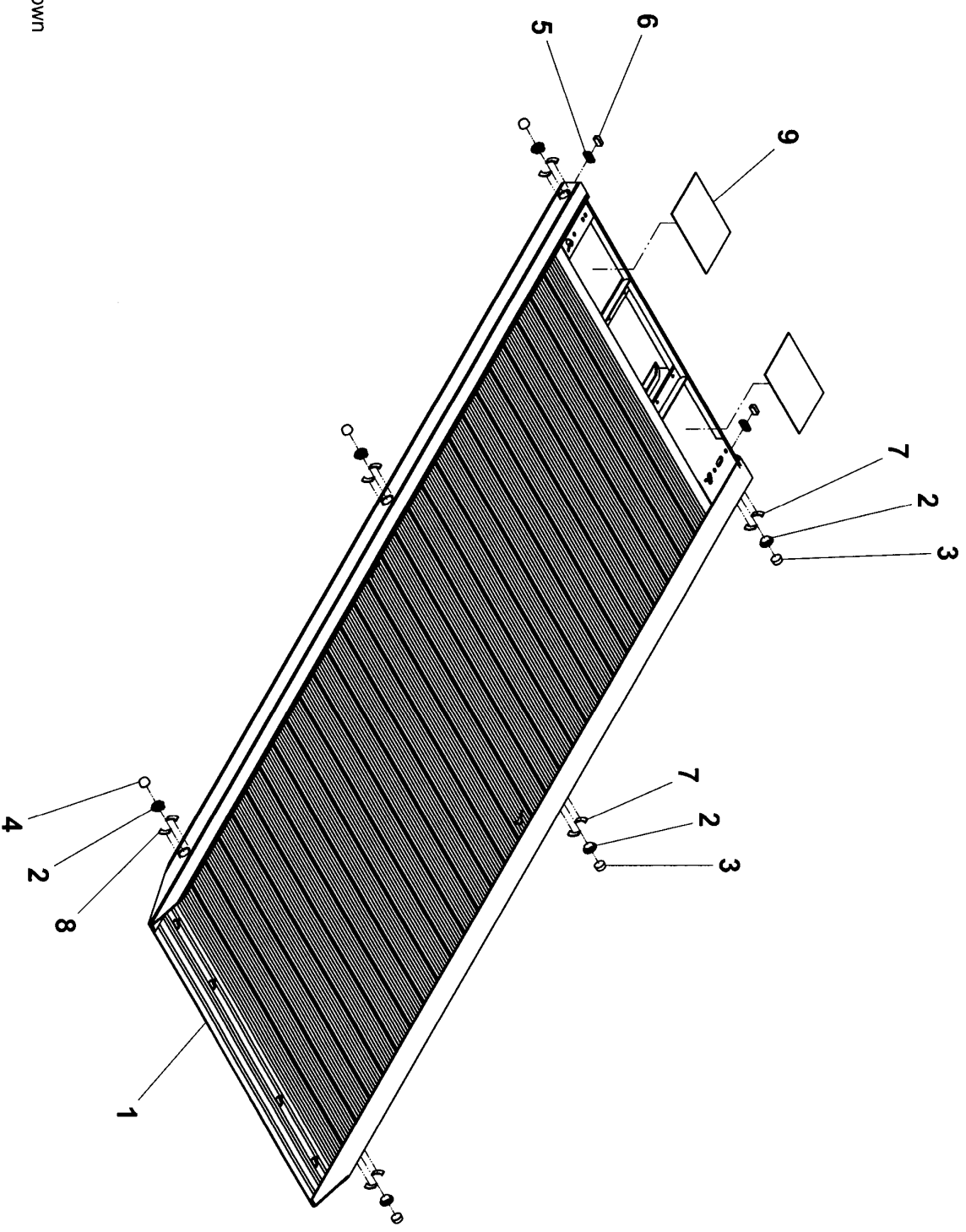
INDEX

DESCRIPTION	PAGE	DESCRIPTION	PAGE
Deck - Pioneer Aluminum Fixed Rail (NGAF)	4 - 5	Electrical Components - Standard w/ Bolt-On Headboard	94 - 95
Deck - Pioneer Aluminum Dual Angle Fixed Rail (NGADF)	6 - 7	Electrical Components - Standard w/ Stationary Headboard	96 - 97
Deck - Pioneer Aluminum Removable Rail (NGAR)	8 - 9	Electrical Components - Optional	98 - 99
Deck - Pioneer Aluminum Transporter (NGAT)	10 - 11	IRL Wheel Lift	100 - 101
Deck - Steel Rustler (WSRB)	12 - 13	ZOD Wheel Lift	102 - 103
Deck - Steel B.I.C. (RRSB)	14 - 15	Manual L-Arm Wheel Lift Grid	104 - 105
Deck - Steel Shark (SLPB)	16 - 17	Manual T37 Pivoting Wheel Lift Grid	106 - 107
Deck - Steel B.I.C. Transporter (STRB)	18 - 19	Auto Grid	108 - 113
Standard Headboard & Remote Winch Free Spool	20 - 21	Hydraulic Rear Dock Stabilizer	114 - 115
Deluxe Headboard & Remote Winch Free Spool	22 - 23	Stabilizer w/ Reese Hitch Receiver	116 - 117
Stationary Headboard & Remote Winch Free Spool	24 - 25	Stabilizer w/ Manual Extend Pintle Hitch Mounting Plate	118 - 119
Worm Gear Winch	26 - 27	Stabilizer w/ Hydraulic Extend Pintle Hitch Mounting Plate	120 - 121
Planetary Gear Winch	28 - 29	Ball Hitch Mounting Plate - IRL	122 - 123
Worm Gear Winch Cable Roller / Tensioner Plate	30 - 31	Ball Hitch Mounting Plate - Hydraulic Extend	124 - 125
Planetary Gear Winch Cable Roller / Tensioner Plate	32 - 33	Ball Hitch Mounting Plate - Manual Extend	126 - 127
Subframe (Outboard Tilt Cylinders)	34 - 35	Pintle Hitch Mounting Plate - IRL	128 - 129
Subframe (Inboard Tilt Cylinders)	36 - 37	Pintle Hitch Mounting Plate - Hydraulic Extend	130 - 131
Hold Down	38 - 39	Pintle Hitch Mounting Plate - Manual Extend	132 - 133
Slide Pad	40 - 41	Towbar - IRL	134 - 135
Mud Flap	42 - 43	Towbar - Hydraulic Extend	136 - 137
Final Assembly	44 - 45	Roll Cylinder Assembly	138 - 139
Ford F550 Frame Reinforcement and Spring Spacers	46 - 47	Tilt Cylinder Assembly (Outboard)	140 - 141
Ford F550 Subframe Modifications	48 - 49	Tilt Cylinder Assembly (Inboard)	142 - 143
GM C4500/5500 Subframe Modifications	50 - 51	Wheel Lift Extend Cylinder Assembly	144 - 145
GM C4500/5500 Brake Cable Rework and Rear Fuel Tank Modification	52 - 53	IRL Cylinder Assembly	146 - 147
Hydraulic Reservoir and Toolbox / Basket	54 - 57	ZOD Cylinder Assembly	148 - 149
Toolbox	57 - 59	Stabilizer Cylinder Assembly	150 - 151
Dual Controls - 3 Bank	60 - 61	Hydraulic Tow Option Extend Cylinder Assembly	152 - 153
Dual Controls - 4 Bank	62 - 63	Hydraulic Tow Option Extend Cylinder Assembly for Stabilizer	154 - 155
Dual Controls - 5 Bank	64 - 65	Lightbars	156 - 157
Dual Controls - 6 Bank	66 - 67	Switch Panels	158 - 159
Dual Controls - 7 Bank	68 - 69	Work Lights	160 - 161
Hydraulic Components - Standard	70 - 71	Bolt-On D-Rings	162 - 163
Hydraulic Components - Standard (Hose Track)	72 - 73	Remote Winch	164 - 165
Hydraulic Components - Hose Routing / Mounting	74 - 75	Remote Throttle Control	166 - 167
Hydraulic Components - IRL Wheel Lift w/ manual grids	76 - 77	Chains and Straps	168 - 169
Hydraulic Components - IRL Wheel Lift w/ auto grids	78 - 79	Decals	170 - 171
Hydraulic Components - ZOD Wheel Lift w/ manual grids	80 - 81	Hydraulic Schematic	172 - 178
Hydraulic Components - ZOD Wheel Lift w/ auto grids	82 - 83	Electrical Schematic	179
Hydraulic Components - Stabilizer	84 - 85		
Hydraulic Components - Stabilizer w/ Reese or Pintle Hitch	86 - 87		
Hydraulic Components - Stabilizer w/ Hydraulic Extend Pintle	88 - 89		
Hydraulic Components - IRL Tow Option	90 - 91		
Hydraulic Components - Hydraulic Extend Tow Option	92 - 93		

DECK - PIONEER ALUMINUM FIXED RAIL (NGAF)

ITEM	PART NO.	DESCRIPTION	QTY
1	3097000477	19' Deck - 96" wide	1
	3097000478	19' Deck - 102" wide	
	3097000475	20' Deck - 96" wide	
	3097000476	20' Deck - 102" wide	
	3097000473	21' Deck - 96" wide	
	3097000474	21' Deck - 102" wide	
2	7493000009	Marker Light Grommet	6
3	7590000249	Marker Light - Amber (Std)	4
	7590000239	Marker Light - Amber (LED)	
4	7590000245	Marker Light - Red (Std)	2
	7590000238	Marker Light - Red (LED)	
5	7493000010	Marker Light Grommet	2
6	7590000250	Marker Light - Amber (Std)	2
	7590000242	Marker Light - Amber (LED)	
7	7330000498	Reflector - Amber	8
8	7330000497	Reflector - Red	4
9	7679000017	Chain Tray Mat	2

DECK - PIONEER ALUMINUM FIXED RAIL (NGAF)

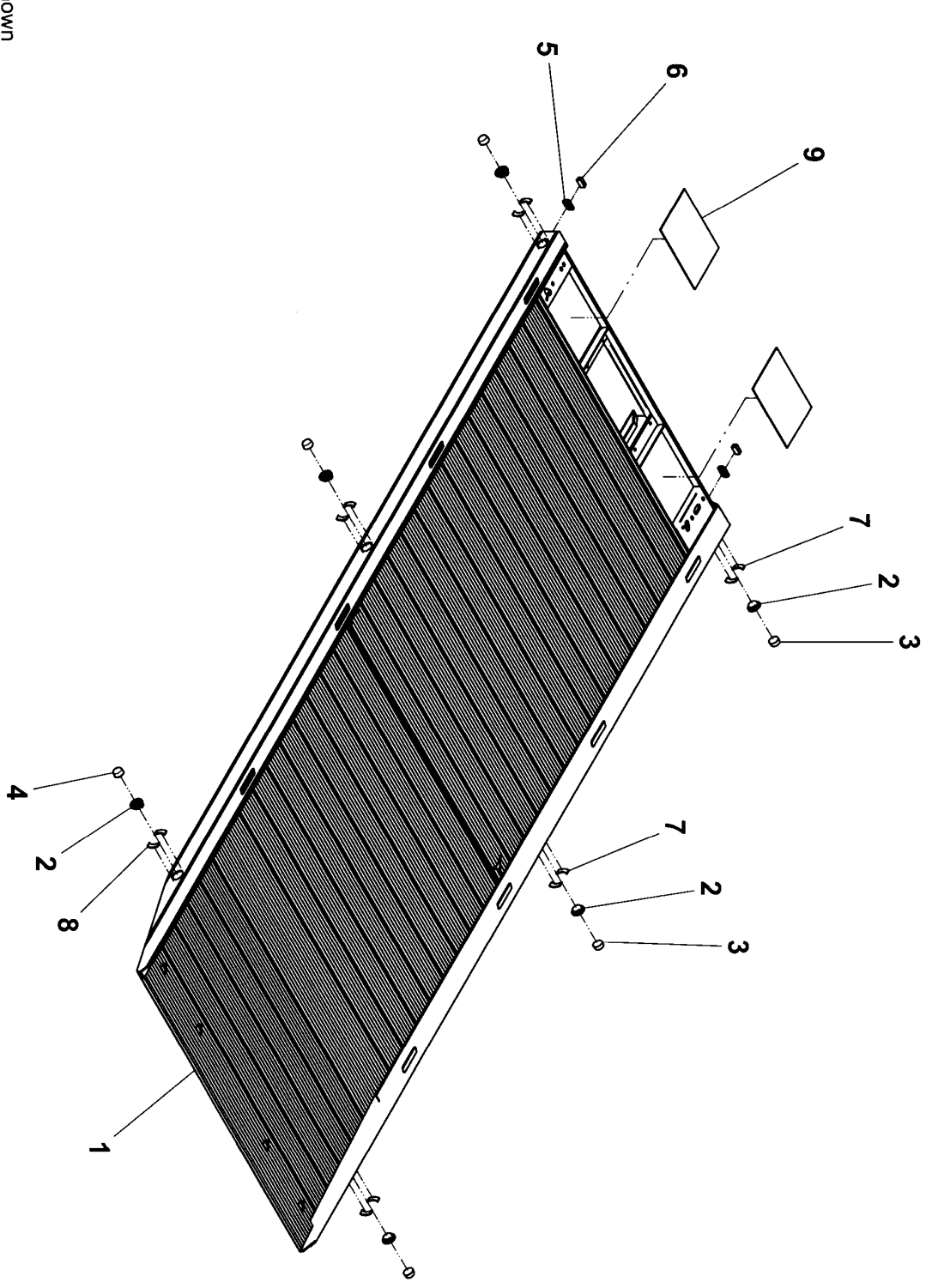


21' deck shown

DECK - ALUMINUM DUAL ANGLE FIXED RAIL (NGADF)

ITEM	PART NO.	DESCRIPTION	QTY
1	3097000417	19' Deck - 96" wide	1
	3097000443	19' Deck - 102" wide	
	3097000413	20' Deck - 96" wide	
	3097000439	20' Deck - 102" wide	
	3097000409	21' Deck * 96" wide	
	3097000435	21' Deck - 102" wide	
2	7493000009	Marker Light Grommet	6
3	7590000249	Marker Light - Amber (Std)	4
	7590000239	Marker Light - Amber (LED)	
4	7590000245	Marker Light - Red (Std)	2
	7590000238	Marker Light - Red (LED)	
5	7493000010	Marker Light Grommet	2
6	7590000250	Marker Light - Amber (Std)	2
	7590000242	Marker Light - Amber (LED)	
7	7330000498	Reflector - Amber	8
8	7330000497	Reflector - Red	4
9	7679000017	Chain Tray Mat	2

DECK - ALUMINUM DUAL ANGLE FIXED RAIL (NGADF)

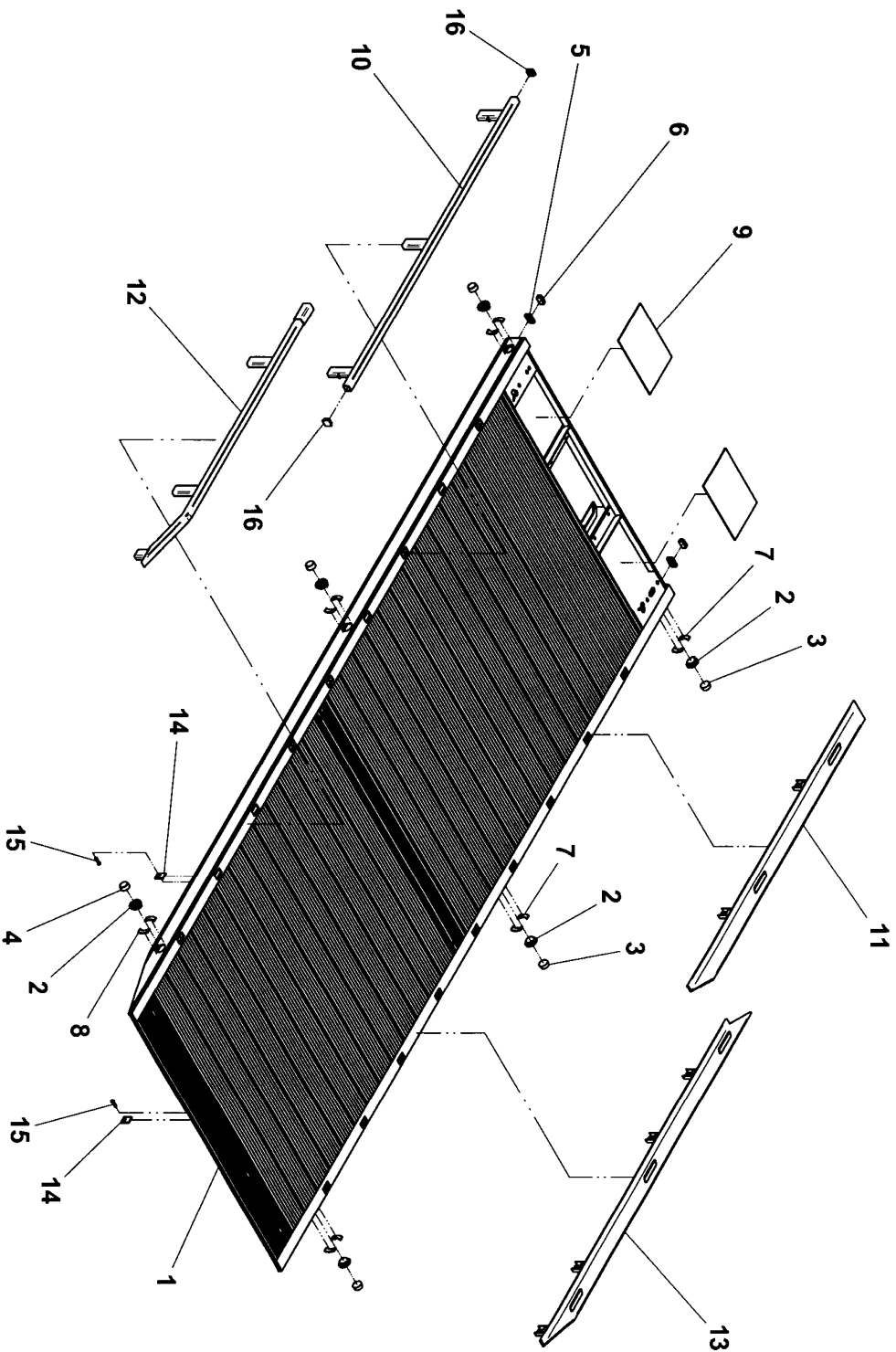


21' deck shown

DECK - ALUMINUM REMOVABLE RAIL (NGAR)

ITEM	PART NO.	DESCRIPTION	QTY	ITEM	PART NO.	DESCRIPTION	QTY
1	3097000419	19' Deck - 96" wide	1	10	3017000084	Aluminum Rail, LH Front	1
	3097000445	19' Deck - 102" wide		11	3017000085	Aluminum Rail, RH Front	1
	3097000415	20' Deck - 96" wide		12	3017000088	Aluminum Rail, LH Rear (19' & 20' decks)	1
	3097000441	20' Deck - 102" wide			3017000086	Aluminum Rail, LH Rear (21' deck)	
	3097000411	21' Deck - 96" wide		13	3017000089	Aluminum Rail, RH Rear (19' & 20' deck)	1
	3097000437	21' Deck - 102" wide		14	3017000087	Aluminum Rail, RH Rear (21' deck)	1
2	7493000009	Marker Light Grommet	6		3706000181	Plate Weld (21' deck)	10
3	7590000249	Marker Light - Amber (Std)	4			Plate Weld (21' deck)	12
	7590000239	Marker Light - Amber (LED)				Capcrew, 0.50"-13NC x 2.00" (21' deck)	10
4	7590000245	Marker Light - Red (Std)	2	15	7115181650	Capcrew, 0.50"-13NC x 2.00" (19' & 20' decks)	12
	7590000238	Marker Light - Red (LED)				Optional Steel Tubular Removable Rails:	
5	7493000010	Marker Light Grommet	2			Steel Rail, LH Front (19' & 20' decks)	1
6	7590000250	Marker Light - Amber (Std)	2			Steel Rail, LH Front (21' deck)	1
	7590000242	Marker Light - Amber (LED)				Steel Rail, RH Front (19' & 20' decks)	1
7	7330000498	Reflector - Amber	8	16	Not Required	Steel Rail, RH Front (21' deck)	1
8	7330000497	Reflector - Red	4			Steel Rail, LH Rear (19' & 20' decks)	1
9	7679000017	Chain Tray Mat	2			Steel Rail, LH Rear (21' deck)	1
						Steel Rail, RH Rear (19' & 20' deck)	1
						Steel Rail, RH Rear (21' deck)	1
						Plate Weld (19' & 20' decks)	10
						Plate Weld (21' deck)	12
						Capcrew, 0.50"-13NC x 2.50" (19' & 20' decks)	10
						Capcrew, 0.50"-13NC x 2.50" (21' deck)	12
						End Cap	4

DECK - ALUMINUM REMOVABLE RAIL (NGAR)



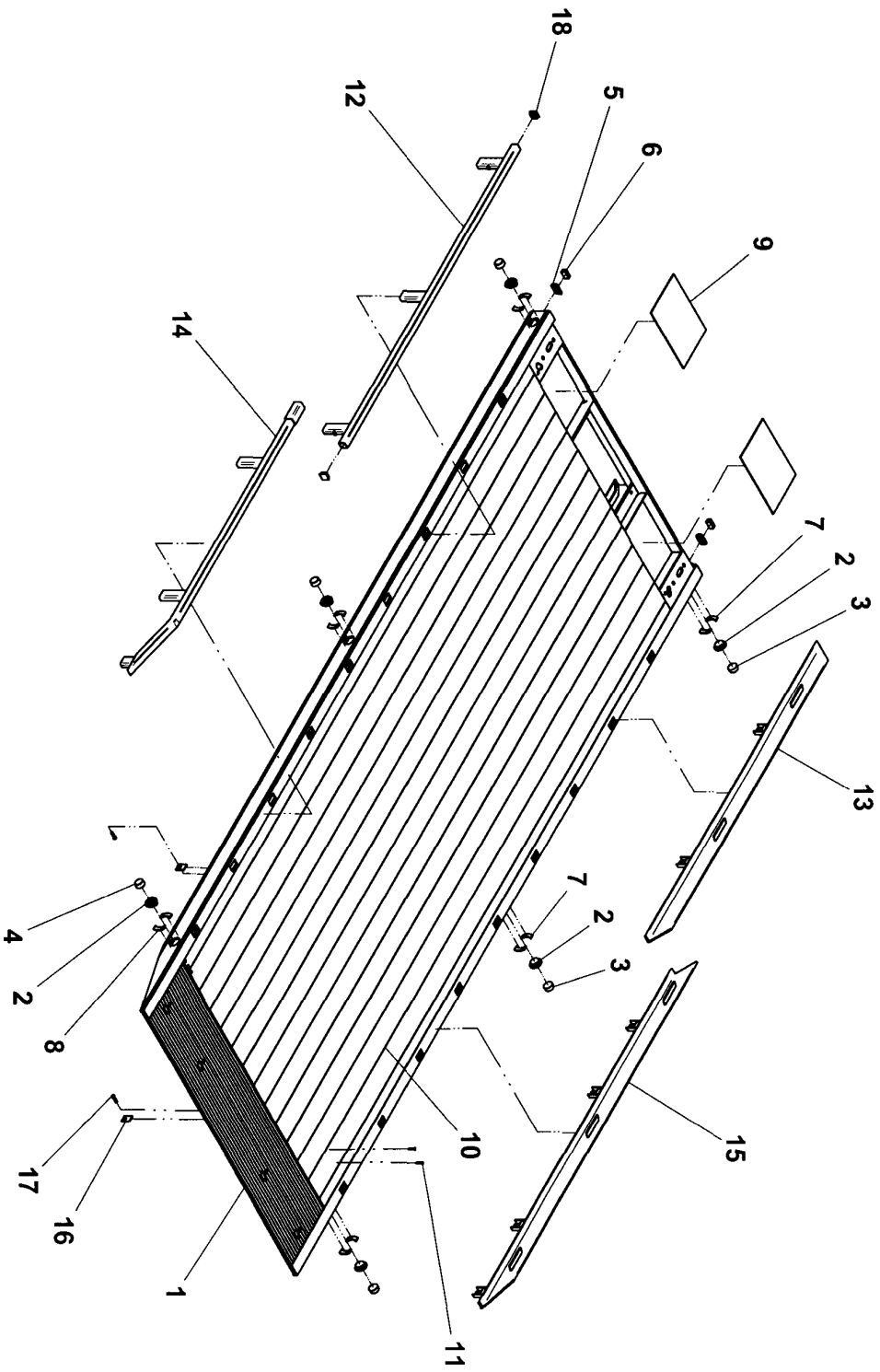
21' deck shown with standard removable aluminum rails on right side and optional steel removable rails on left side

DECK - ALUMINUM TRANSPORTER (NGAT)

ITEM	PART NO.	DESCRIPTION	QTY	ITEM	PART NO.	DESCRIPTION	QTY
1	3097000420	19' Deck - 95" wide, 12" X-mem spacing	1	12	3017000084	Aluminum Rail, LH Front	1
	3097000486	19' Deck - 95" wide, 8" X-mem spacing		13	3017000085	Aluminum Rail, RH Front	1
	3097000446	19' Deck - 102" wide, 12" X-mem spacing		14	3017000088	Aluminum Rail, LH Rear (19' & 20' decks)	1
	3097000487	20' Deck - 95" wide, 8" X-mem spacing		15	3017000086	Aluminum Rail, LH Rear (21' deck)	1
	3097000416	20' Deck - 95" wide, 12" X-mem spacing		16	3017000089	Aluminum Rail, RH Rear (19' & 20' deck)	1
	3097000484	20' Deck - 95" wide, 8" X-mem spacing		17	3017000087	Aluminum Rail, RH Rear (21' deck)	1
	3097000442	20' Deck - 102" wide, 12" X-mem spacing		18	3706000181	Plate Weld (19' & 20' decks)	10
	3097000485	20' Deck - 102" wide, 8" X-mem spacing			7115181650	Plate Weld (21' deck)	12
	3097000412	21' Deck - 95" wide, 12" X-mem spacing				Capcrew, 0.50"-13NC x 2.00" (19' & 20' decks)	10
	3097000482	21' Deck - 95" wide, 8" X-mem spacing				Capcrew, 0.50"-13NC x 2.00" (19' & 20' decks)	10
	3097000438	21' Deck - 102" wide, 12" X-mem spacing				Capcrew, 0.50"-13NC x 2.00" (21' deck)	12
	3097000483	21' Deck - 102" wide, 8" X-mem spacing					
2	7493000009	Marker Light Grommet	6				
3	7590000249	Marker Light - Amber (Std)	4	18	Not Required		
	7590000239	Marker Light - Amber (LED)					
	7590000245	Marker Light - Red (Std)	2				
	7590000238	Marker Light - Red (LED)	2				
4	7493000010	Marker Light Grommet	2	12	3729000115	Steel Rail, LH Front (19' & 20' decks)	1
5	7590000250	Marker Light - Amber (Std)	2	13	3729000126	Steel Rail, LH Front (21' deck)	1
6	7590000242	Marker Light - Amber (LED)	8	13	3729000115	Steel Rail, RH Front (19' & 20' decks)	1
7	7330000498	Reflector - Amber	4	14	3729000126	Steel Rail, RH Front (21' deck)	1
8	7330000497	Reflector - Red	2	14	3729000129	Steel Rail, LH Rear (19' & 20' decks)	1
9	7679000017	Chain Tray Mat	A/R	15	3729000127	Steel Rail, LH Rear (21' deck)	1
10	Contact Parts	Keruing Board	A/R	16	3729000130	Steel Rail, RH Rear (19' & 20' deck)	1
11	7786000007	Screw, 0.31"-18NC x 2.00"	A/R	17	3729000128	Steel Rail, RH Rear (21' deck)	10
				18	3706000181	Plate Weld (19' & 20' decks)	12
					7120000005	Plate Weld (21' deck)	10
						Capcrew, 0.50"-13NC x 2.50" (19' & 20' decks)	12
						Capcrew, 0.50"-13NC x 2.50" (21' deck)	4
					7701000033	End Cap	4

Optional Steel Tubular Removable Rails:

DECK - ALUMINUM TRANSPORTER (NGAT)

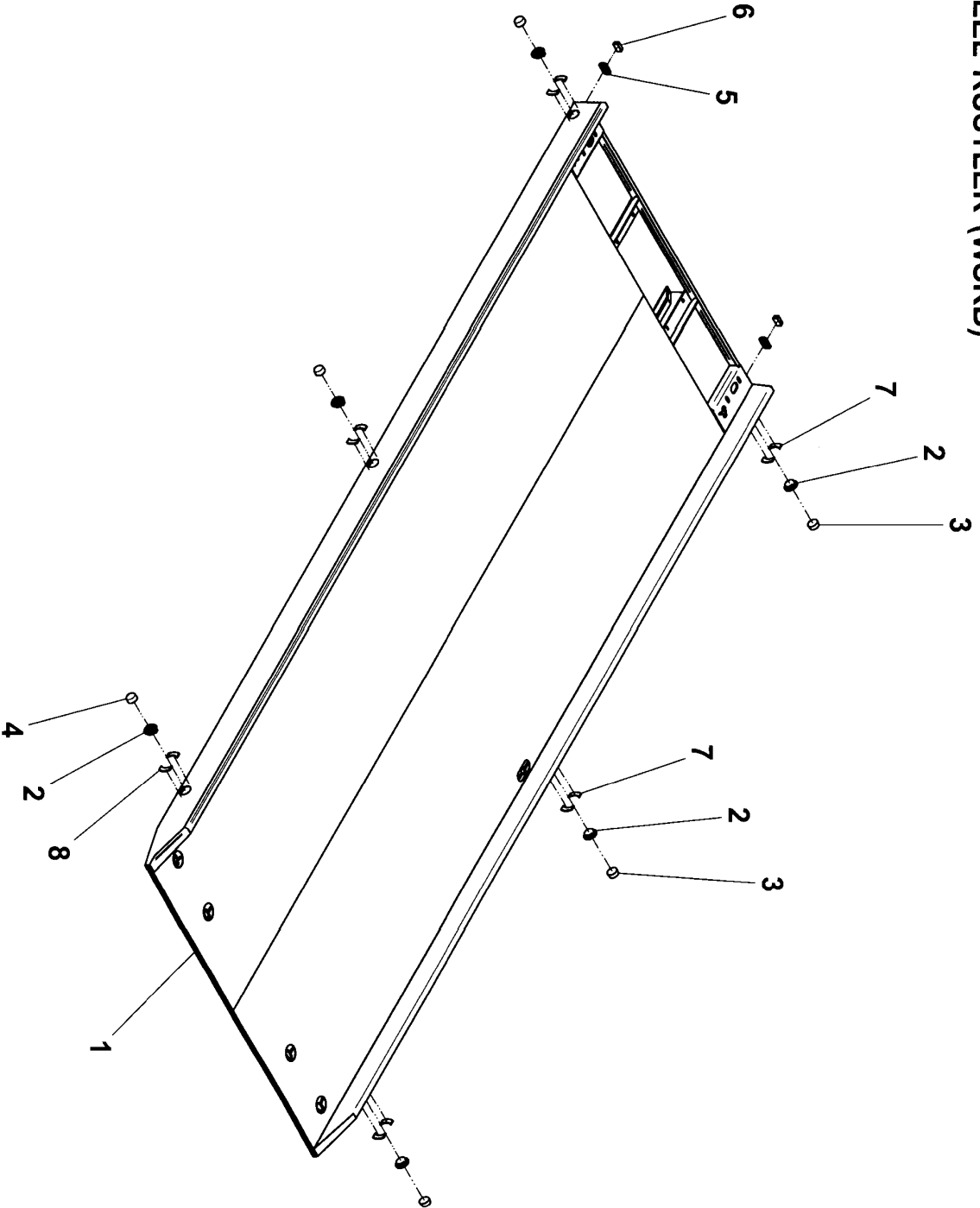


21' deck shown with optional removable steel rails on left side and optional aluminum removable rails on right side

DECK - STEEL RUSTLER (WSRB)

ITEM	PART NO.	DESCRIPTION	QTY
1	3097000265	19' Deck - 96" wide, 12" X-mem spacing	1
	3097000280	19' Deck - 96" wide, 8" X-mem spacing	
	3097000456	19' Deck - 102" wide, 12" X-mem spacing	
	3097000460	19' Deck - 102" wide, 8" X-mem spacing	
	3097000455	20' Deck - 96" wide, 12" X-mem spacing	
	3097000459	20' Deck - 96" wide, 8" X-mem spacing	
	3097000457	20' Deck - 102" wide, 12" X-mem spacing	
	3097000461	20' Deck - 102" wide, 8" X-mem spacing	
	3097000265	21' Deck - 96" wide, 12" X-mem spacing	
	3097000297	21' Deck - 96" wide, 8" X-mem spacing	
	3097000458	21' Deck - 102" wide, 12" X-mem spacing	
	3097000462	21' Deck - 102" wide, 8" X-mem spacing	
2	7493000009	Marker Light Grommet	6
3	7590000249	Marker Light - Amber (Std)	4
	7590000239	Marker Light - Amber (LED)	
4	7590000245	Marker Light - Red (Std)	2
	7590000238	Marker Light - Red (LED)	
5	7493000010	Marker Light Grommet	2
6	7590000250	Marker Light - Amber (Std)	2
	7590000242	Marker Light - Amber (LED)	
7	7330000498	Reflector - Amber	8
8	7330000497	Reflector - Red	4

DECK - STEEL RUSTLER (WSRB)

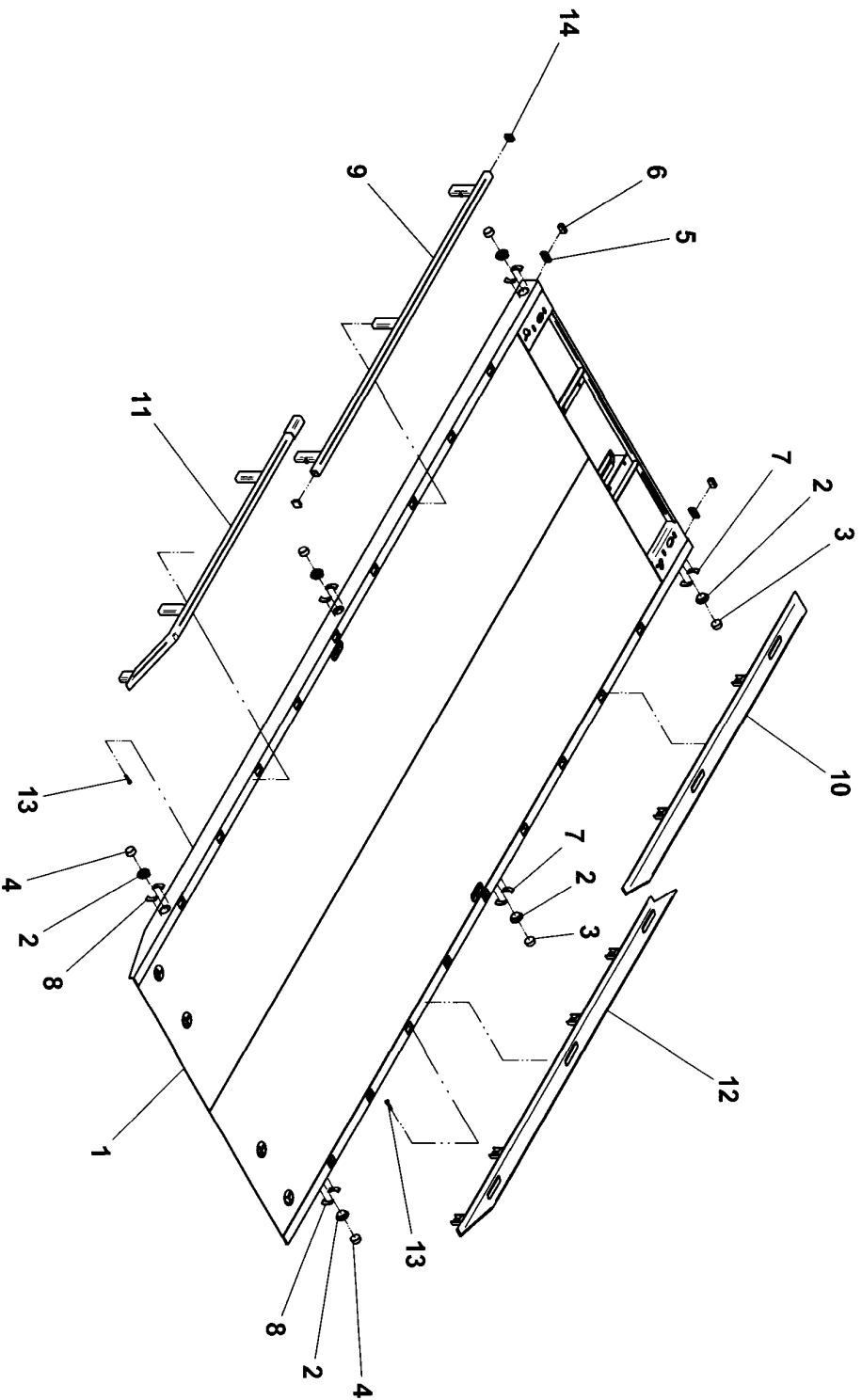


21' deck shown

DECK - STEEL B.I.C. (RRSB)

ITEM	PART NO.	DESCRIPTION	QTY	ITEM	PART NO.	DESCRIPTION	QTY
1	3097000270	19' Deck - 96" wide, 12" X-mem spacing	1	9	3729000115	Steel Rail, LH Front (19' & 20' decks)	1
	3097000281	19' Deck - 96" wide, 8" X-mem spacing			3729000126	Steel Rail, LH Front (21' deck)	
	3097000448	19' Deck - 102" wide, 12" X-mem spacing			3729000115	Steel Rail, RH Front (19' & 20' decks)	
	3097000452	20' Deck - 96" wide, 12" X-mem spacing		10	3729000126	Steel Rail, RH Front (21' deck)	1
	3097000447	20' Deck - 96" wide, 8" X-mem spacing			3729000129	Steel Rail, LH Rear (19' & 20' decks)	
	3097000451	20' Deck - 96" wide, 8" X-mem spacing		11	3729000127	Steel Rail, LH Rear (21' deck)	1
	3097000449	20' Deck - 102" wide, 12" X-mem spacing			3729000130	Steel Rail, RH Rear (19' & 20' deck)	
	3097000453	20' Deck - 102" wide, 8" X-mem spacing		12	3729000128	Steel Rail, RH Rear (21' deck)	1
	3097000269	21' Deck - 96" wide, 12" X-mem spacing			7120000005	Capcrew, 0.50"-13NC x 2.50" (19' & 20' decks)	
	3097000284	21' Deck - 96" wide, 8" X-mem spacing		13		Capcrew, 0.50"-13NC x 2.50" (19' & 20' decks)	10
	3097000450	21' Deck - 102" wide, 12" X-mem spacing				Capcrew, 0.50"-13NC x 2.50" (21' deck)	
	3097000454	21' Deck - 102" wide, 8" X-mem spacing				End Cap	
2	7493000009	Marker Light Grommet	6	14	7701000033	Capcrew, 0.50"-13NC x 2.50" (21' deck)	12
3	7590000249	Marker Light - Amber (Std)	4			End Cap	4
	7590000239	Marker Light - Amber (LED)				<i>Optional Aluminum Removable Rails:</i>	
4	7590000245	Marker Light - Red (Std)	2	9	3017000084	Aluminum Rail, LH Front	1
	7590000238	Marker Light - Red (LED)		10	3017000085	Aluminum Rail, RH Front	1
5	7493000010	Marker Light Grommet	2	11	3017000088	Aluminum Rail, LH Rear (19' & 20' decks)	1
6	7590000250	Marker Light - Amber (Std)	2	12	3017000086	Aluminum Rail, LH Rear (21' deck)	1
	7590000242	Marker Light - Amber (LED)		13	3017000089	Aluminum Rail, RH Rear (19' & 20' deck)	1
7	7330000498	Reflector - Amber	8		3017000087	Aluminum Rail, RH Rear (21' deck)	
	7330000497	Reflector - Red	4	14	7115181650	Capcrew, 0.50"-13NC x 2.00" (19' & 20' decks)	10
8					Not Required	Capcrew, 0.50"-13NC x 2.00" (21' deck)	12

DECK - STEEL B.I.C. (RRSB)

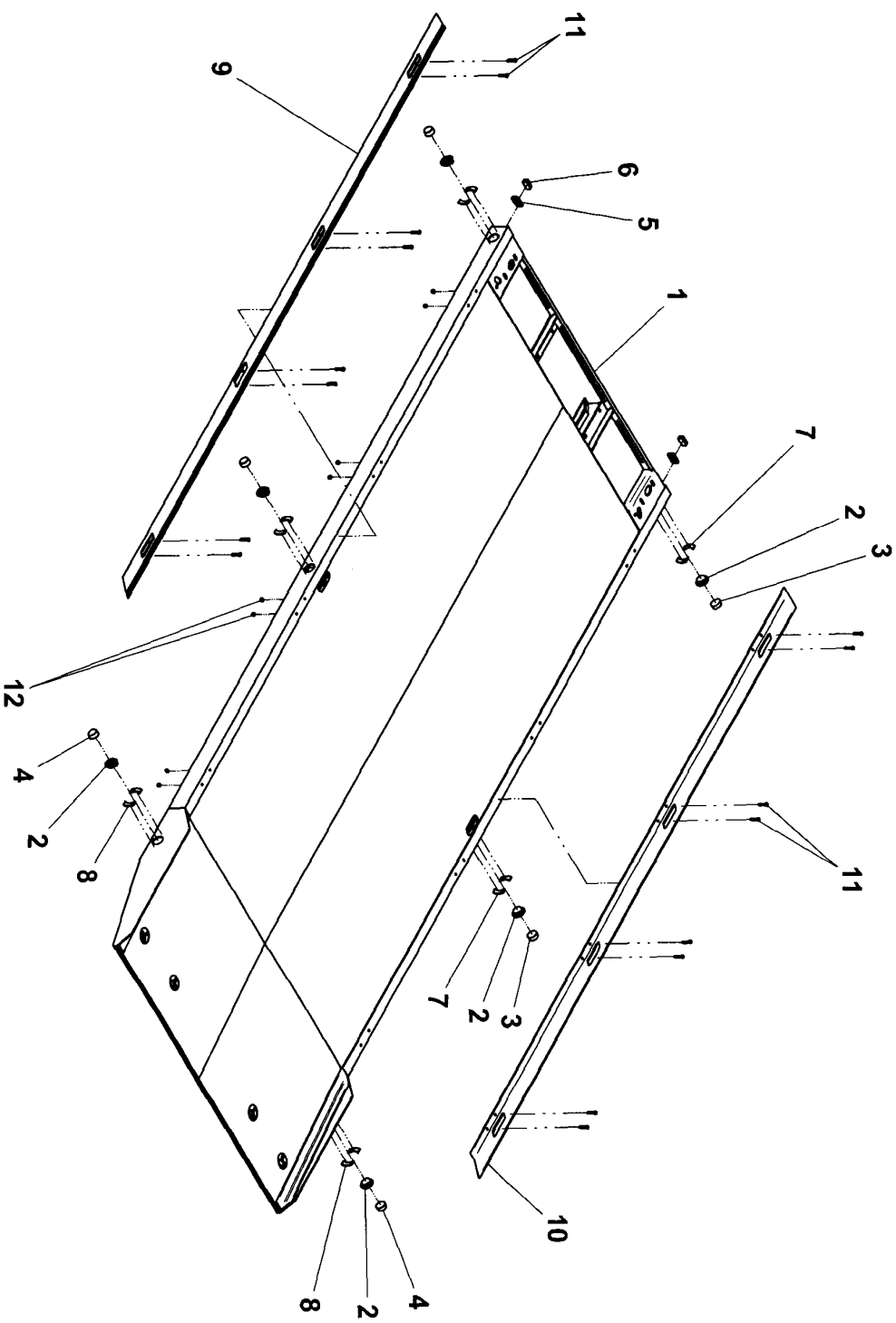


21' deck shown with standard removable steel rails on left side and optional aluminum removable rails on right side

DECK - STEEL SHARK (SLPB)

ITEM	PART NO.	DESCRIPTION	QTY
1	3097000266	19' Deck - 96" wide, 12" X-mem spacing	1
	3097000467	19' Deck - 96" wide, 8" X-mem spacing	
	3097000464	19' Deck - 102" wide, 12" X-mem spacing	
	3097000470	19' Deck - 102" wide, 8" X-mem spacing	
	3097000463	20' Deck - 96" wide, 12" X-mem spacing	
	3097000468	20' Deck - 96" wide, 8" X-mem spacing	
	3097000465	20' Deck - 102" wide, 12" X-mem spacing	
	3097000471	20' Deck - 102" wide, 8" X-mem spacing	
	3097000268	21' Deck - 96" wide, 12" X-mem spacing	
	3097000469	21' Deck - 96" wide, 8" X-mem spacing	
	3097000466	21' Deck - 102" wide, 12" X-mem spacing	
	3097000472	21' Deck - 102" wide, 8" X-mem spacing	
2	7493000009	Marker Light Grommet	6
3	7590000249	Marker Light - Amber (Std)	4
	7590000239	Marker Light - Amber (LED)	
4	7590000245	Marker Light - Red (Std)	2
	7590000238	Marker Light - Red (LED)	
5	7493000010	Marker Light Grommet	2
6	7590000250	Marker Light - Amber (Std)	2
	7590000242	Marker Light - Amber (LED)	
7	7330000498	Reflector - Amber	8
8	7330000497	Reflector - Red	4
9	4017000334	Aluminum Rail, LH (19' deck)	1
	4017001319	Aluminum Rail, LH (20' deck)	
	4017000834	Aluminum Rail, LH (21' deck)	
10	4017000834	Aluminum Rail, RH (19' deck)	1
	4017000345	Aluminum Rail, RH (20' deck)	
	4017001320	Aluminum Rail, RH (21' deck)	
11	4017000835	Aluminum Rail, RH (20' deck)	16
	7115181850	Capcrew, 0.50" - 13NC x 2.25"	
12	7660182601	Locknut, 0.50" ID	16

DECK - STEEL SHARK (SLPB)



21' deck shown

DECK - STEEL B.I.C. TRANSPORTER (STRB)

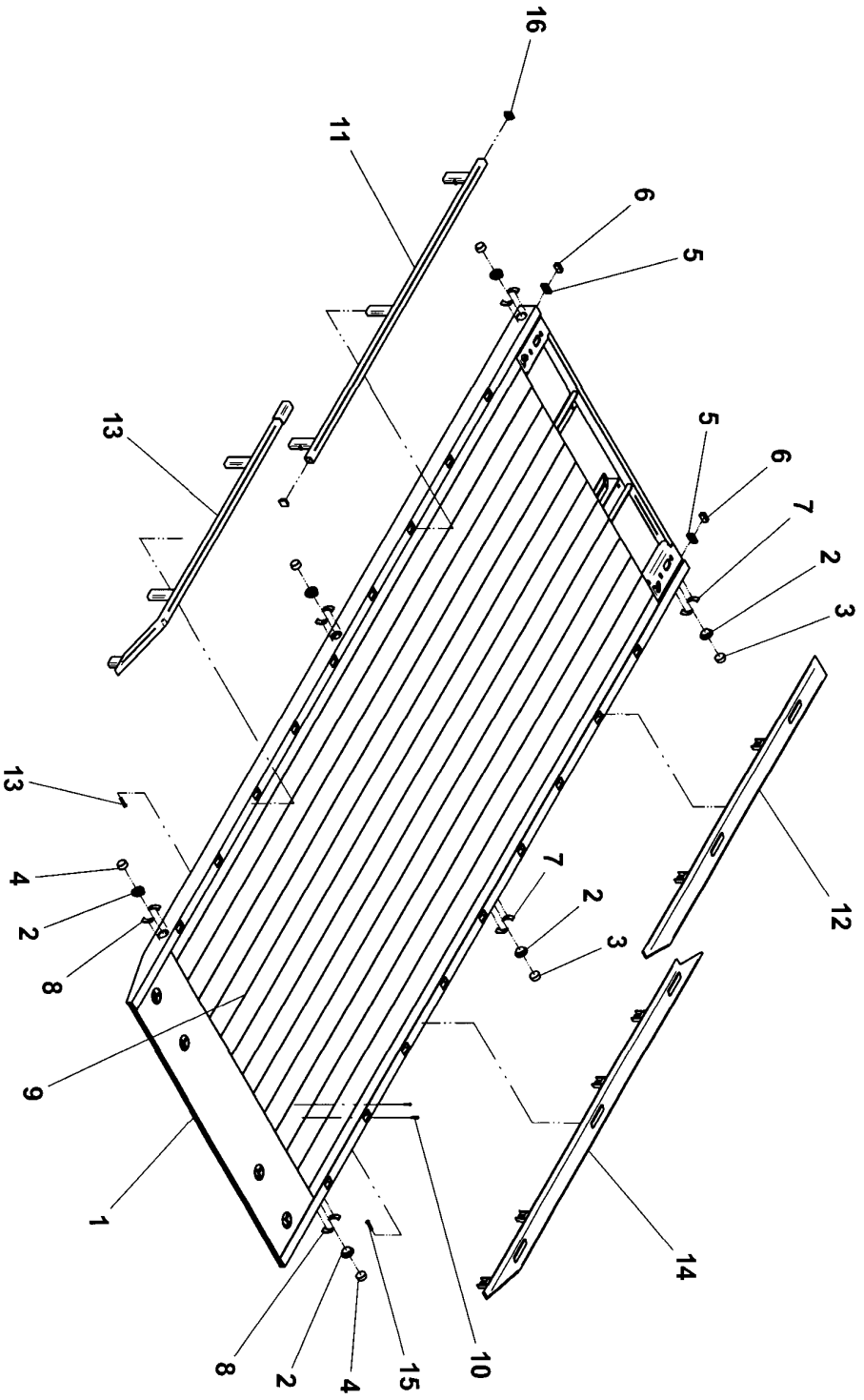
ITEM	PART NO.	DESCRIPTION	QTY	ITEM	PART NO.	DESCRIPTION	QTY
1	3097000273	19' Deck - 95" wide, 12" X-mem spacing	1				
	3097000285	19' Deck - 95" wide, 8" X-mem spacing		11	3729000115	<i>Optional Steel Tubular Removable Rails:</i> Steel Rail, LH Front (19' & 20' decks)	1
	3097000429	19' Deck - 102" wide, 12" X-mem spacing			3729000126	Steel Rail, LH Front (21' deck)	
	3097000295	19' Deck - 102" wide, 8" X-mem spacing		12	3729000115	Steel Rail, RH Front (19' & 20' decks)	1
	3097000430	20' Deck - 95" wide, 12" X-mem spacing			3729000126	Steel Rail, RH Front (21' deck)	
	3097000432	20' Deck - 95" wide, 8" X-mem spacing		13	3729000129	Steel Rail, LH Rear (19' & 20' decks)	1
	3097000431	20' Deck - 102" wide, 12" X-mem spacing			3729000127	Steel Rail, LH Rear (21' deck)	
	3097000433	20' Deck - 102" wide, 8" X-mem spacing		14	3729000130	Steel Rail, RH Rear (19' & 20' deck)	1
	3097000274	21' Deck - 95" wide, 12" X-mem spacing			3729000128	Steel Rail, RH Rear (21' deck)	
	3097000286	21' Deck - 95" wide, 8" X-mem spacing		15	7120000005	Capscrew, 0.50"-13NC x 2.50" (19' & 20' decks)	10
	3097000382	21' Deck - 102" wide, 12" X-mem spacing					
	3097000434	21' Deck - 102" wide, 8" X-mem spacing		16	7701000033	Capscrew, 0.50"-13NC x 2.50" (21' deck) End Cap	12
2	7493000009	Marker Light Grommet	6				
3	7590000249	Marker Light - Amber (Std)	4				
4	7590000239	Marker Light - Amber (LED)	2				
	7590000245	Marker Light - Red (Std)					
	7590000238	Marker Light - Red (LED)					
5	7493000010	Marker Light Grommet	2				
6	7590000250	Marker Light - Amber (Std)	2	11	3017000084	Aluminum Rail, LH Front	1
	7590000242	Marker Light - Amber (LED)		12	3017000085	Aluminum Rail, RH Front	1
7	7330000498	Reflector - Amber	8	13	3017000088	Aluminum Rail, LH Rear (19' & 20' decks)	1
8	7330000497	Reflector - Red	4	14	3017000086	Aluminum Rail, LH Rear (21' deck)	1
9	Contact Parts	Keruing Board	A/R	15	3017000089	Aluminum Rail, RH Rear (19' & 20' deck)	1
10	7786000007	Screw, 0.31"-18NC x 2.00"	A/R		3017000087	Aluminum Rail, RH Rear (21' deck)	
					7115181650	Capscrew, 0.50"-13NC x 2.00" (19' & 20' decks)	10
						Capscrew, 0.50"-13NC x 2.00" (21' deck)	12

Optional Aluminum Removable Rails:

- Aluminum Rail, LH Front
- Aluminum Rail, RH Front
- Aluminum Rail, LH Rear (19' & 20' decks)
- Aluminum Rail, LH Rear (21' deck)
- Aluminum Rail, RH Rear (19' & 20' deck)
- Aluminum Rail, RH Rear (21' deck)
- Capscrew, 0.50"-13NC x 2.00"
(19' & 20' decks)
- Capscrew, 0.50"-13NC x 2.00" (21' deck)

Not Required

DECK - STEEL B.I.C. TRANSPORTER (STRB)



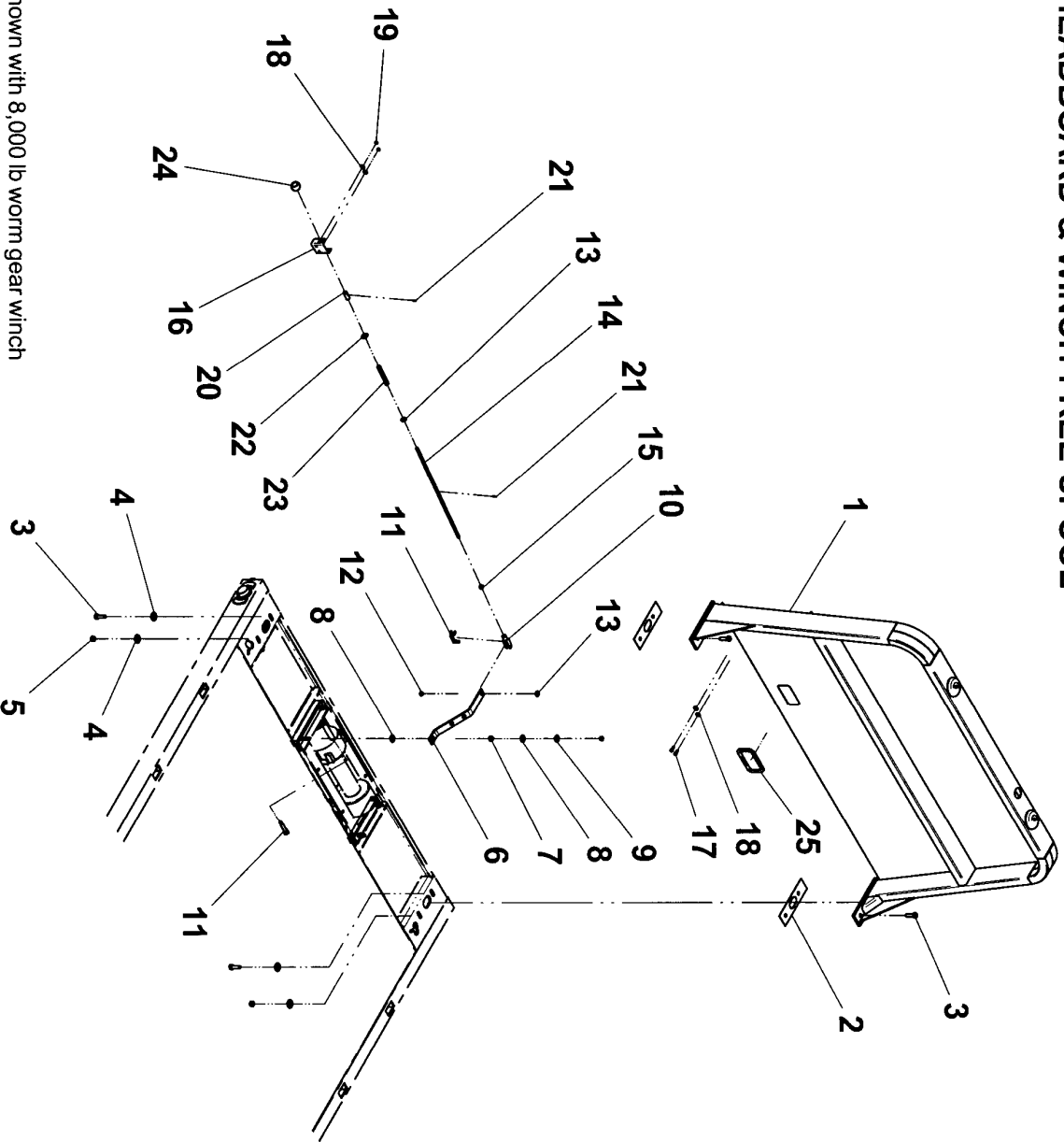
21' deck shown with optional removable steel rails on left side and optional aluminum removable rails on right side

STANDARD HEADBOARD & WINCH FREE SPOOL

ITEM	PART NO.	DESCRIPTION	QTY
1	3241000139	Standard Headboard Weld - 36.50"	1
	3241000140	Standard Headboard Weld - 40.50"	
	3241000141	Standard Headboard Weld - 45.50"	
	3241000142	Standard Headboard Weld - 50.50"	
	3241000143	Standard Headboard Weld - 57.50"	
2	4796000037	Gasket	2
3	7105201650	Capscrew, 0.63"-18NF x 2.00"	4
4	7950200152	Flatwasher, 0.63" ID	4
5	7660200035	Nut, 0.63"-18NF	2
6	4706001955*	Plate	1
7	4209000146*	Bushing	1
8	7082000010*	Nylon Washer	1
9	7950180161*	Flatwasher, 0.50" ID	1
10	7990000011*	Yoke	1
11	7691000046*	Clevis Pin	2
12	7082000009*	Bearing Flange	1
13	7950180143*	Flatwasher, 0.50" ID	1
14	4763000348*	Rod	2
15	7660180234*	Nut, 0.50"-20NF	1
16	4706001956*	Plate	1
17	715150850*	Capscrew, 0.31"-18NC x 1.00"	1
18	7950150161*	Flatwasher, 0.31" ID	2
19	7660152601*	Locknut, 0.31"-18NC	4
20	4209000147*	Bushing (worm gear winch)	2
	4209000145*	Bushing (planetary gear winch)	1
21	7690051274*	Pin	2
22	7949000030*	Nylon Washer	1
23	7843000027*	Spring	1
24	7551000017*	Knob	1
25	4632000009*	Trim Lok	1

* also available in complete Remote Free Spool Installation:
P/N 2970000021 for 8,000 / 10,000 lb worm gear winch
P/N 2970000019 for 8,000 lb planetary gear winch

STANDARD HEADBOARD & WINCH FREE POOL



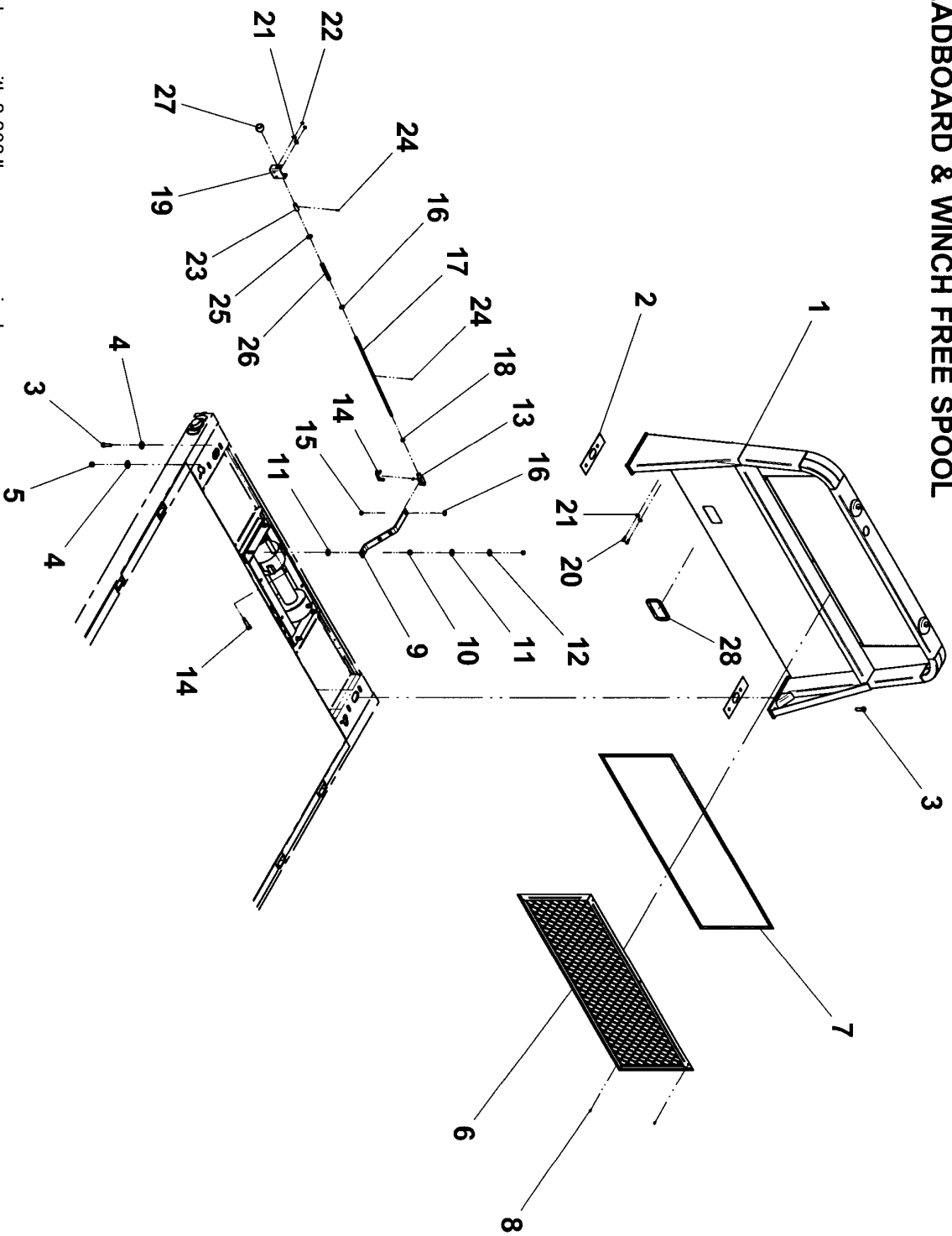
50.50" headboard shown with 8,000 lb worm gear winch

DELUXE HEADBOARD & WINCH FREE SPOOL

ITEM	PART NO.	DESCRIPTION	QTY	ITEM	PART NO.	DESCRIPTION	QTY
1	3241000132	Deluxe Headboard Weld - 36.50"	1	24	7690051274*	Pin	2
	3241000133	Deluxe Headboard Weld - 40.50"		25	7949000030*	Nylon Washer	1
	3241000134	Deluxe Headboard Weld - 45.50"		26	7843000027*	Spring	1
	3241000135	Deluxe Headboard Weld - 50.50"		27	7551000017*	Knob	1
	3241000136	Deluxe Headboard Weld - 57.50"		28	4632000009*	Trim Lok	1
2	4796000037	Gasket	2				
3	7105201650	Cap screw, 0.63"-18NF x 2.00"	4				
4	7950200152	Flatwasher, 0.63" ID	4				
5	7660200035	Nut, 0.63"-18NF	2				
6	3391000014	Screen Weld	1				
		(36.50", 40.50" & 45.50" headboards)					
	3391000017	Screen Weld (50.50" headboard)					
7	3391000018	Screen Weld (57.50" headboard)	1				
	4796000003	Gasket	1				
8	7759000015	Rivet	6				
9	4706001955*	Plate	1				
10	4209000146*	Bushing	1				
11	7082000010*	Nylon Washer	2				
12	7950180161*	Flatwasher, 0.50" ID	1				
13	7990000011*	Yoke	1				
14	7691000046*	Clevis Pin	2				
15	7082000009*	Bearing Flange	1				
16	7950180143*	Flatwasher, 0.50" ID	2				
17	4763000252*	Rod	1				
18	7660180234*	Nut, 0.50"-20NF	1				
19	4706001956*	Plate	1				
20	7115150850*	Cap screw, 0.31"-18NC x 1.00"	2				
21	7950150161*	Flatwasher, 0.31" ID	4				
22	7660152601*	Locknut, 0.31"-18NC	2				
23	4209000147*	Bushing (worm gear winch)	1				
	4209000145*	Bushing (planetary gear winch)	1				

* also available in Remote Free Spool Installation:
 P/N 2970000021 for 8,000 / 10,000 lb worm gear winch
 P/N 2970000019 for 8,000 lb planetary gear winch

DELUXE HEADBOARD & WINCH FREE SPOOL



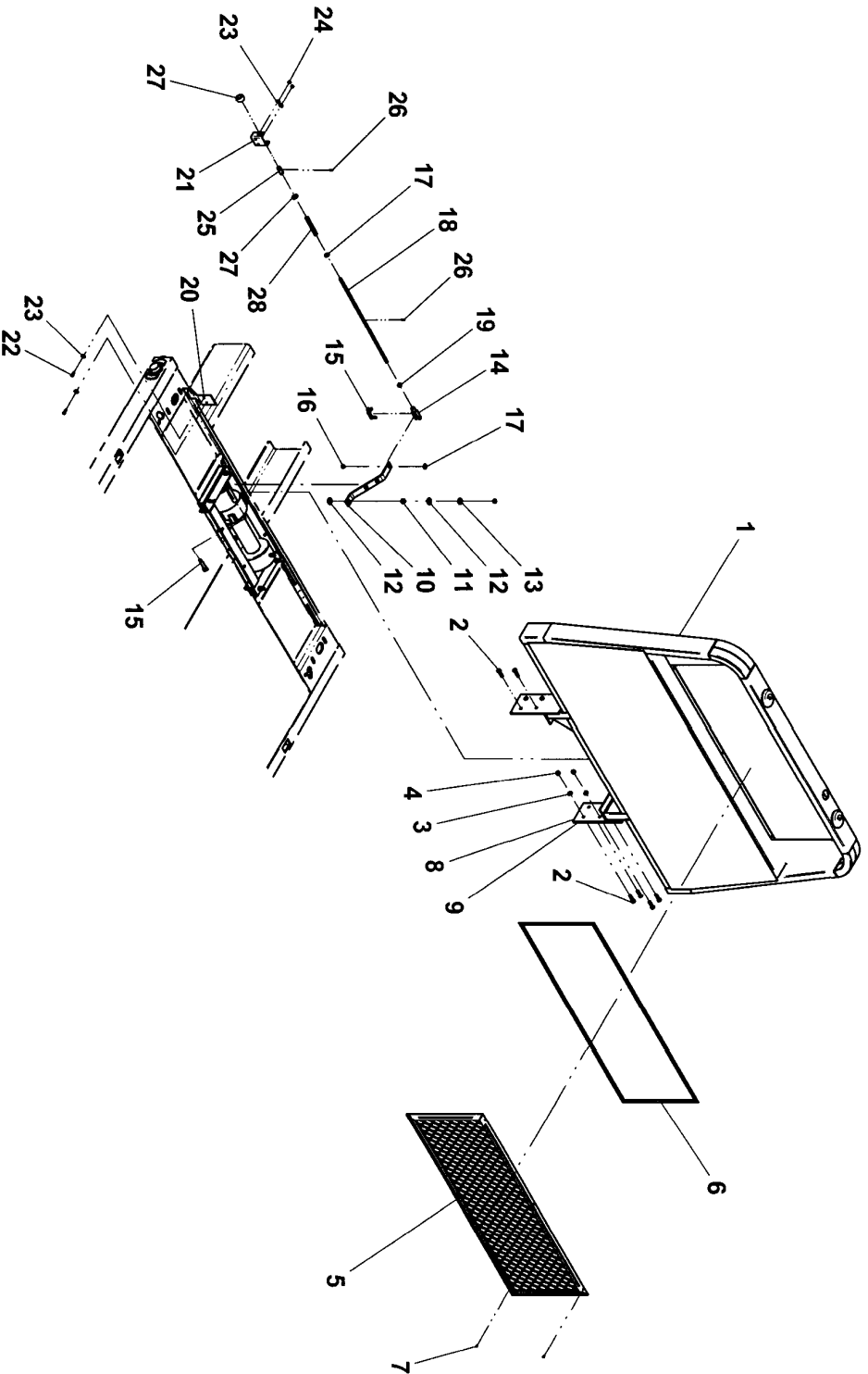
50.50" headboard shown with 8,000 lb worm gear winch

STATIONARY HEADBOARD & WINCH FREE SPOOL

ITEM	PART NO.	DESCRIPTION	QTY	ITEM	PART NO.	DESCRIPTION	QTY
1	3241000161	Stationary Headboard Weld - 57.00"	1	26	7690051274*	Pin	2
	3241000162	Stationary Headboard Weld - 62.00"		27	7949000030*	Nylon Washer	1
	3241000163	Stationary Headboard Weld - 69.00"		28	7843000027*	Spring	1
2	7105181450	Cap screw, 0.50"-20NF x 1.75"	8	29	7551000017*	Knob	1
3	7950180153	Flatwasher, 0.50" ID	8				
4	7660182631	Locknut, 0.50"-20NF	8				
5	3391000014	Screen Weld (57.00" headboard)	1				
	3391000017	Screen Weld (62.00" headboard)					
	3391000018	Screen Weld (69.00" headboard)					
6	4796000003	Gasket	1				
7	7759000015	Rivet	6				
8	4705000607	Shim - 0.25"	A/R				
9	4705000608	Shim - 0.12"	A/R				
10	4706001955*	Plate	1				
11	4209000146*	Bushing	1				
12	7082000010*	Nylon Washer	2				
13	7950180161*	Flatwasher, 0.50" ID	1				
14	7990000011*	Yoke	1				
15	7691000046*	Clevis Pin	2				
16	7082000009*	Bearing Flange	1				
17	7950180143*	Flatwasher, 0.50" ID	2				
18	4763000252*	Rod	1				
19	7660180234*	Locknut, 0.50"-20NF	1				
20	4178000434*	Bracket (steel decks)	1				
	4178000897*	Bracket (aluminum decks)					
	4706001956*	Plate	1				
21	7115150850*	Cap screw, 0.31"-18NC x 1.00"	2				
22	7950150161*	Flatwasher, 0.31" ID	4				
23	7660152601*	Locknut, 0.31"-18NC	2				
24	4209000147*	Bushing (worm gear winch)	1				
25	4209000145*	Bushing (planetary gear winch)	1				

* also available in complete Remote Free Spool Installation:
P/N 2970000021 for 8,000 / 10,000 lb worm gear winch
P/N 2970000019 for 8,000 lb planetary gear winch

STATIONARY HEADBOARD & WINCH FREE POOL



62.00" headboard shown with 8,000 lb worm gear winch

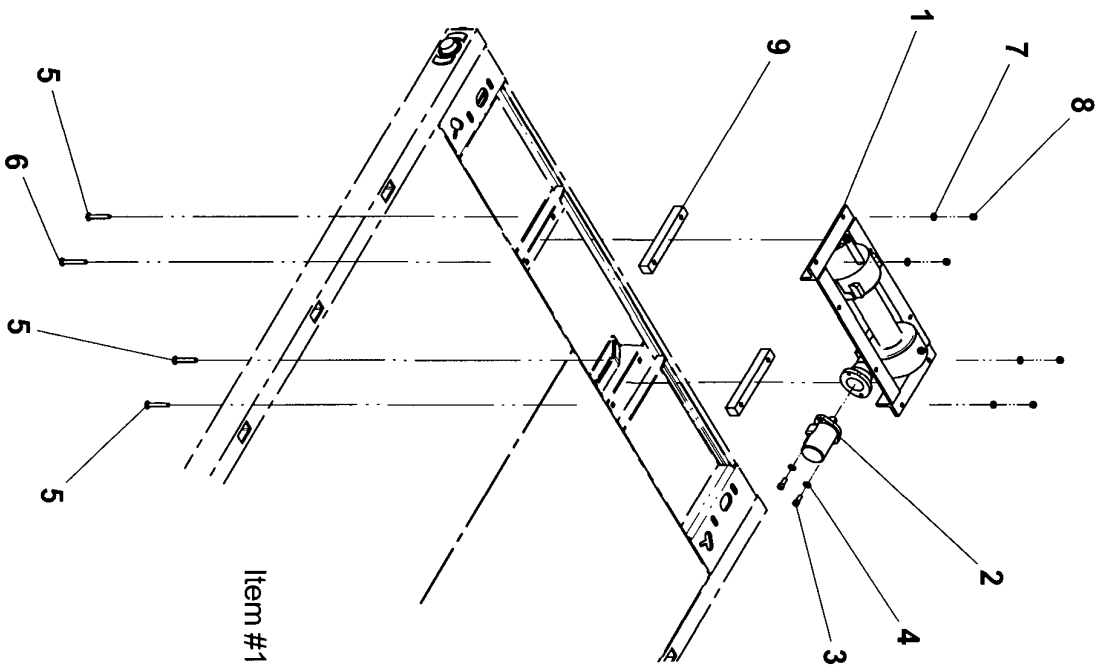
WORM GEAR WINCH

ITEM	PART NO.	DESCRIPTION	QTY
1	7970000121	Winch - 8,000 lb Worm Gear	1
	7970000123	Winch - 10,000 lb Worm Gear	
2	7626000014	Orbit Motor	1
3	9970414952	Capscrew, 0.50"-13NC x 1.25"	2
4	7950180400	Lockwasher, 0.50" ID	2
5	7115181464	Carriage Bolt, 0.50"-13NC x 1.75" (steel decks)	3
	7115182864	Carriage Bolt, 0.50"-13NC x 3.5" (steel transporters)	
	7115181864	Carriage Bolt, 0.50"-13NC x 2.25" (aluminum decks)	
	7115183264	Carriage Bolt, 0.50"-13NC x 4.00" (aluminum transporters)	
6	7115181864	Carriage Bolt, 0.50"-13NC x 2.25" (steel decks)	1
	7115183264	Carriage, 0.50"-13NC x 4.00" (steel transporters)	
	7115182264	Carriage Bolt, 0.50"-13NC x 2.75" (aluminum decks)	
	7115183664	Capscrew, 0.50"-13NC x 4.50" (aluminum transporters)	
7	7950180153	Flatwasher, 0.50" ID	4
8	7660182601	Locknut, 0.50"-13NC	4
9	4062000318	Bar (transporters only)	2
10	7248000063	Cable, 0.38" dia x 56' (8,000lb winch)	1
	7248000064	Cable, 0.44" dia x 56' (10,000lb winch)	1

Refer to manufacturer's manual for winch parts list

WORM GEAR WINCH

8,000 lb winch shown on transporter deck



Item #10, Winch Cable, not shown

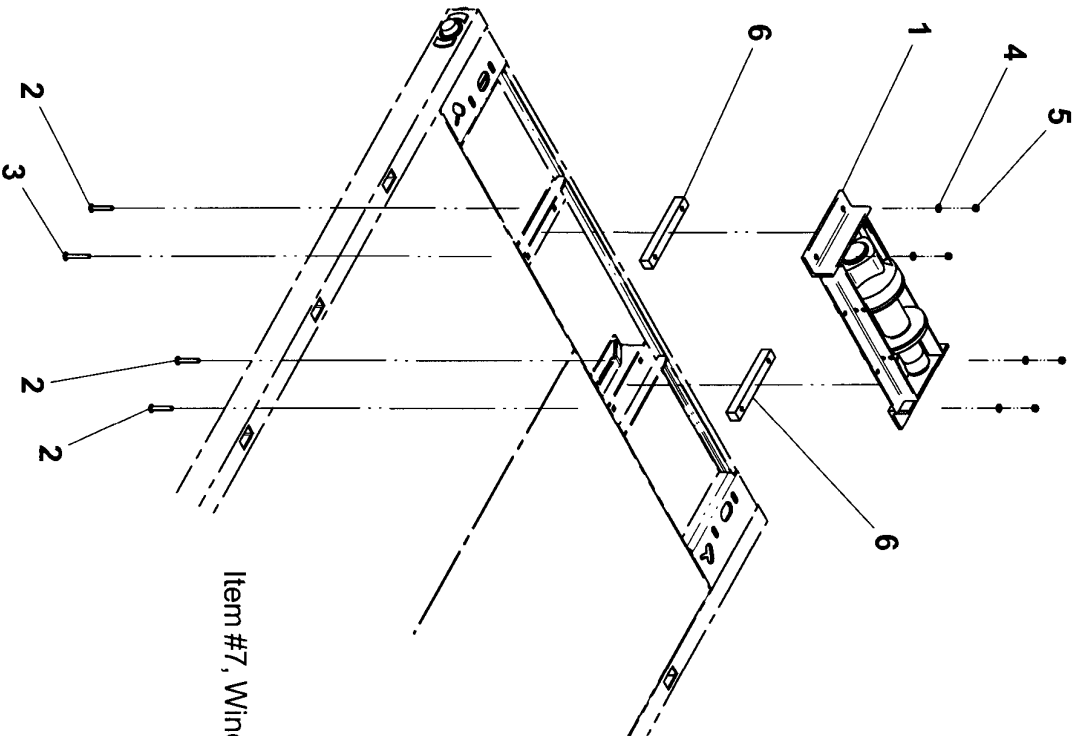
PLANETARY GEAR WINCH

ITEM	PART NO.	DESCRIPTION	QTY
1	797000056	Winch - 8,000 lb Planetary Gear	1
2	7115181464	Carriage Bolt, 0.50"-13NC x 1.75" (steel decks)	3
	7115182864	Carriage Bolt, 0.50"-13NC x 3.50" (steel transporters)	
	7115181864	Carriage Bolt, 0.50"-13NC x 2.25" (aluminum decks)	
	7115183264	Carriage Bolt, 0.50"-13NC x 4.00" (aluminum transporters)	
3	7115181864	Carriage Bolt, 0.50"-13NC x 2.25" (steel decks)	1
	7115183264	Carriage, 0.50"-13NC x 4.00" (steel transporters)	
	7115182264	Carriage Bolt, 0.50"-13NC x 2.75" (aluminum decks)	
	7115183664	Capscrew, 0.50"-13NC x 4.50" (aluminum transporters)	
4	7950180153	Flatwasher, 0.50" ID	4
5	7660182601	Locknut, 0.50"-13NC	4
6	4062000318	Bar (transporters only)	2
7	7248000063	Cable, 0.38" dia x 56'	1

Refer to manufacturer's manual for winch parts list

PLANETARY GEAR WINCH

8,000 lb winch shown on transporter deck

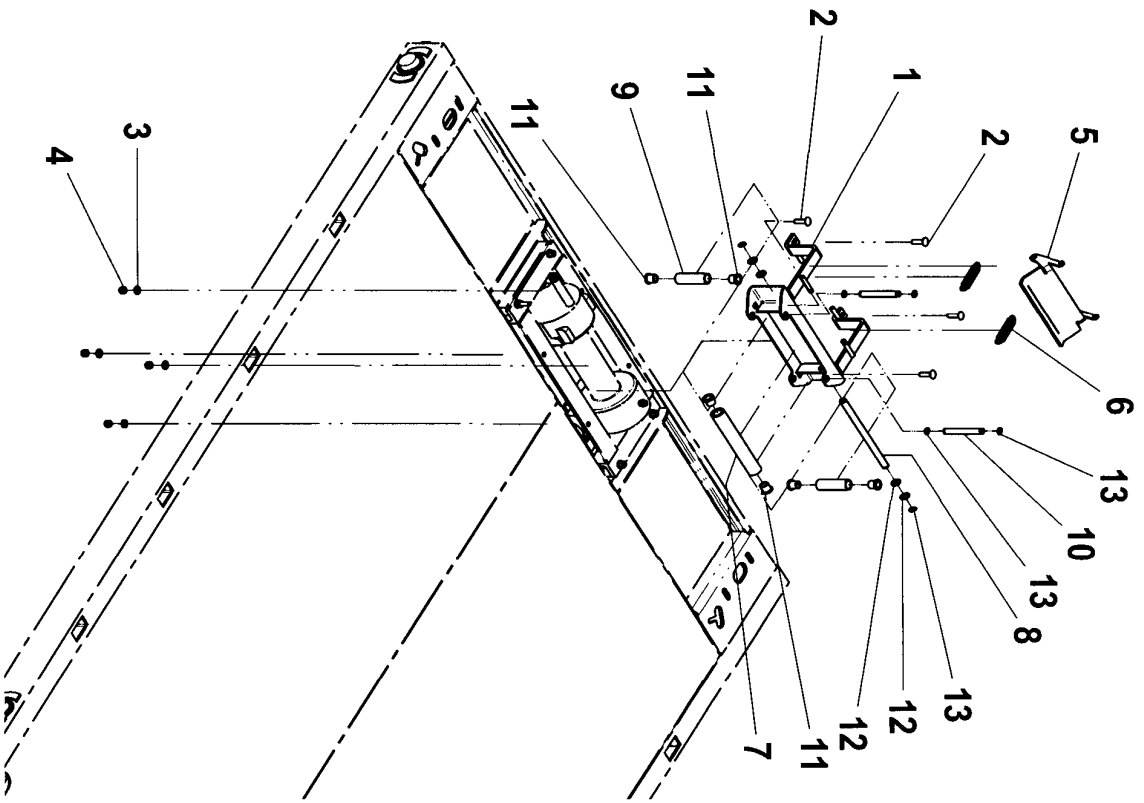


WORM GEAR WINCH CABLE ROLLER GUIDE / TENSIONER PLATE

ITEM	PART NO.	DESCRIPTION	QTY
1	3178000433*	Bracket Weld	1
2	7115181464	Carriage Bolt, 0.50"-13NC x 1.75"	4
3	7950180153	Flatwasher, 0.50" ID	4
4	7660182601	Locknut, 0.50"-13NC	4
5	4706003766	Plate	1
6	7843000035	Spring	2
7	4912000130*	Roller	1
8	4806000014*	Shaft	1
9	4912000394*	Roller	2
10	4806000011*	Shaft	2
11	7209000011*	Bushing	6
12	7949000034*	Spacer	4
13	7754000022*	Retaining Ring	6

* also available in Cable Guide / Tensioner Assembly, P/N 3249000036

WORM GEAR WINCH CABLE ROLLER GUIDE / TENSIONER PLATE



8,000 lb winch shown

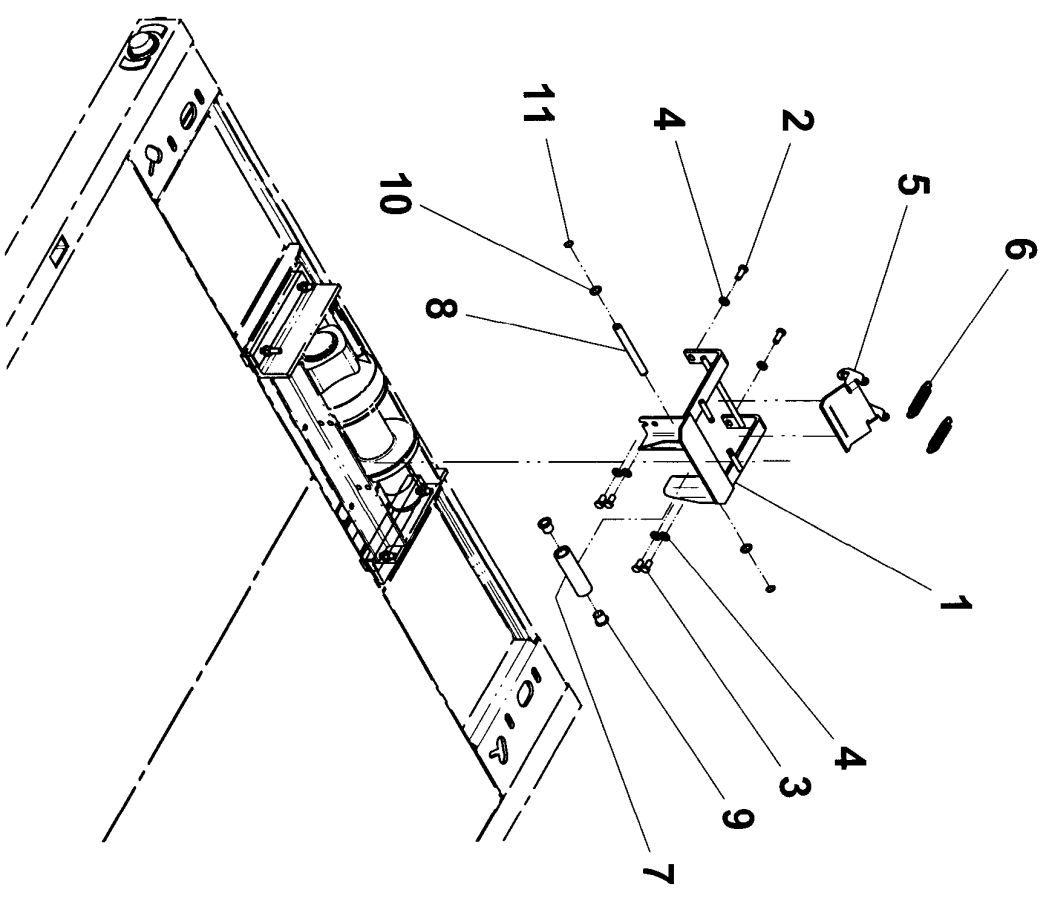
PLANETARY GEAR WINCH CABLE ROLLER GUIDE / TENSIONER PLATE

ITEM	PART NO.	DESCRIPTION	QTY
1	3178000347	Bracket Weld	1
2	7115181050	Capscrew, 0.50"-13NC x 1.25"	2
3	7115180850	Capscrew, 0.50"-13NC x 1.00"	4
4	7950180153	Flatwasher, 0.50" ID	6
5	4706003792	Plate	1
6	7843000035	Spring	2
7	4912000345*	Roller	1
8	4691000421*	Shaft	1
9	7209000011*	Bushing	2
10	7949000034*	Spacer	2
11	7754000022*	Retaining Ring	2

* also available in Cable Guide / Tensioner Assembly, P/N 3249000019

PLANETARY GEAR WINCH CABLE ROLLER GUIDE / TENSIONER PLATE

8,000 lb winch shown

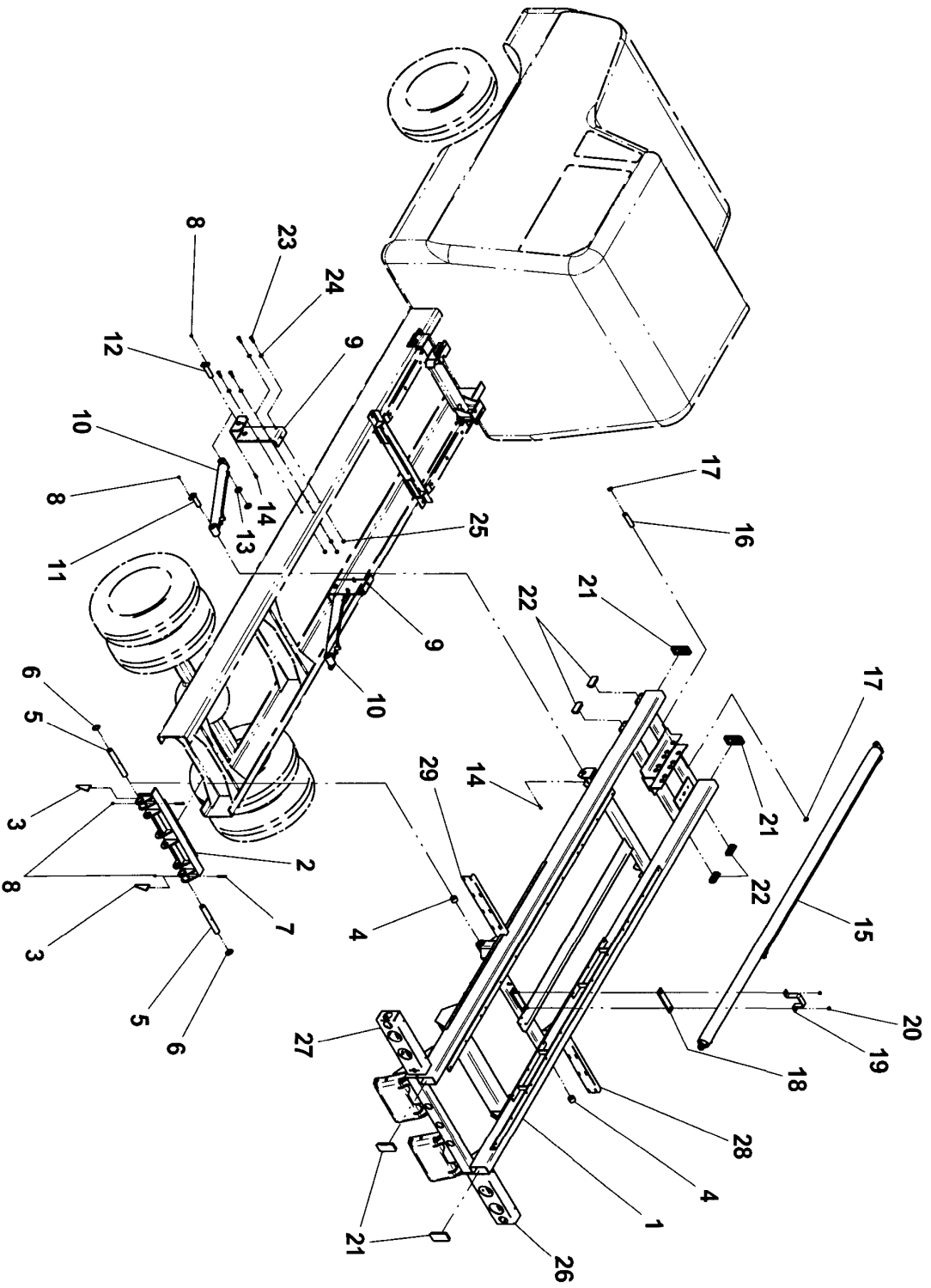


SUBFRAME (OUTBOARD TILT CYLINDERS)

ITEM	PART NO.	DESCRIPTION	QTY	ITEM	PART NO.	DESCRIPTION	QTY
1	3868000232	Subframe Weld - Standard	1	24	7950180153	Flatwasher, 0.50 ID	8
	3868000234	Subframe Weld - Ford F550 & GM C4500/5500		25	7660182631	Locknut, 0.50"-20NF	8
	3868000249	Subframe Weld - Standard w/Auto Grid Wheel Lift		26	3178000234*	Light Box, RH	1
	3868000260	Subframe Weld - Ford F550 & GM C4500/5500 w/ Auto Grid Wheel Lift		27	3178000233*	Light Box, LH	1
				28	4017001294*	Mud Flap Angle, RH	1
				29	4017001293*	Mud Flap Angle, LH	1
2	3905000003	Trunnion Weld - Standard	1				
	3905000009	Trunnion Weld - Ford F550 & GM C4500/5500					
3	4497000358	Gusset	2				
4	7082000017	Bearing	4				
5	4691000295	Pin	2				
6	7949000008	Washer, 2.25" ID	2				
7	7118162250	Capcrew, 0.38"-16NC x 2.75"	2				
8	7660162601	Locknut, 0.38"-16NC	6				
9	4178000259	Bracket	2				
10	3320000113	Tilt Cylinder Assembly	2				
11	3691000158	Pin Weld	2				
12	3691000073	Pin Weld	2				
13	4209000244	Bushing	4				
14	7115160950	Capcrew, 0.38"-16NC x 1.12"	4				
15	3320000112	Roll Cylinder Assembly	1				
16	4691000429	Pin	1				
17	7754000006	Retaining Ring	2				
18	4679000151	Pad	1				
19	4178000367	Bracket	1				
20	7660182601	Locknut, 0.50"-13NC	2				
21	7701000048*	Plug	4				
22	7701000051*	Plug	4				
23	7105181450	Capcrew, 0.50"-20NF x 1.75"	8				

* included in Subframe Welds, P/Ns 3868000232, 3868000234, 3868000249 and 3868000260

SUBFRAME (OUTBOARD TILT CYLINDERS)

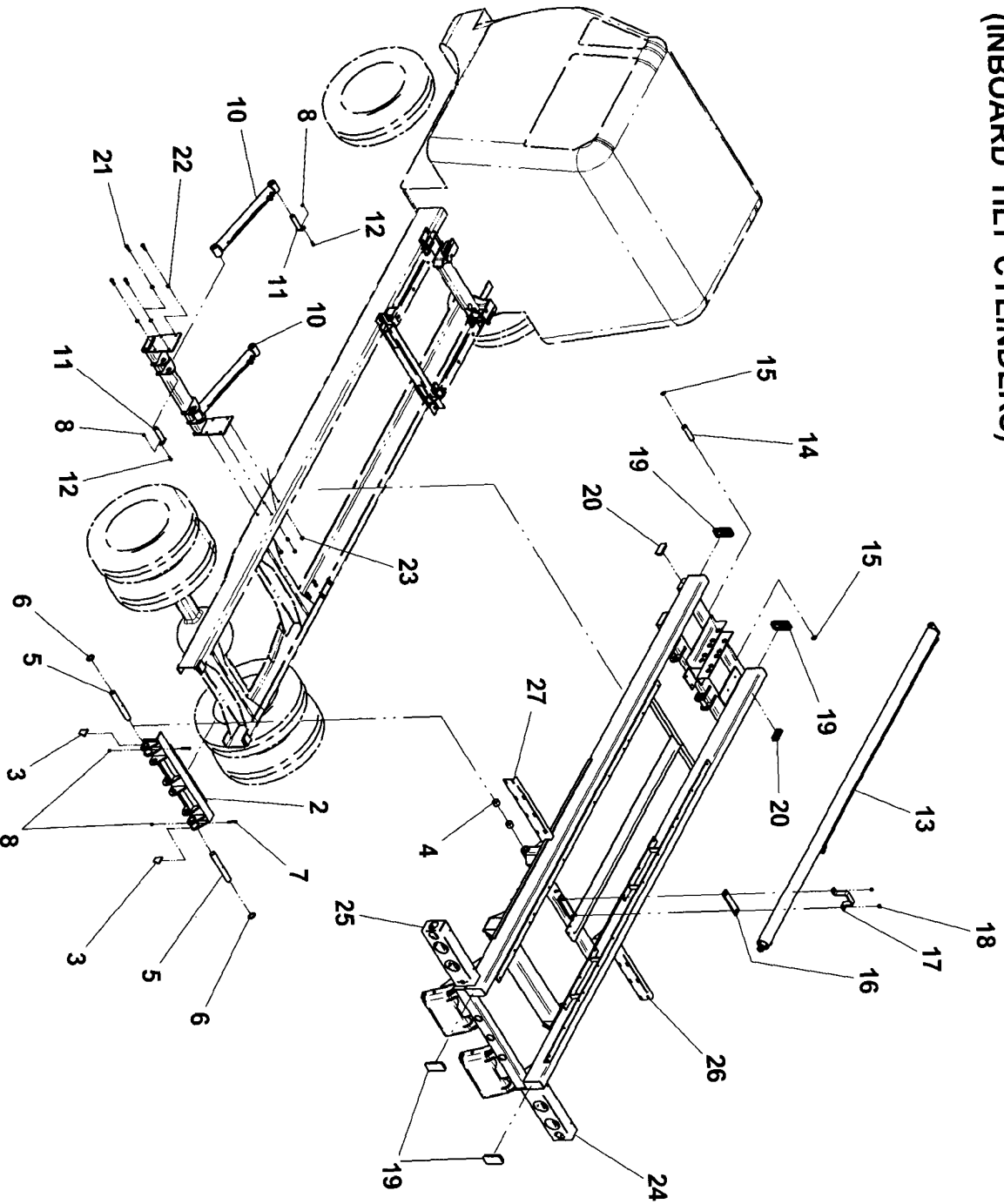


SUBFRAME (INBOARD TILT CYLINDERS)

ITEM	PART NO.	DESCRIPTION	QTY
1	3868000233	Subframe Weld	1
2	3905000003	Trunnion Weld	1
3	4497000358	Gusset	2
4	7082000017	Bearing	4
5	4691000295	Pin	2
6	7949000008	Washer, 2.25" ID	2
7	7118162250	Capscrew, 0.38"-16NC x 2.75"	2
8	7660162601	Locknut, 0.38"-16NC	6
9	3316000054	Crossmember Weld	1
10	3320000120	Tilt Cylinder Assembly	2
11	3691000073	Pin Weld	4
12	7115160950	Capscrew, 0.38"-16NC x 1.12"	4
13	3320000112	Roll Cylinder Assembly	1
14	4691000429	Pin	1
15	7754000006	Retaining Ring	2
16	4679000151	Bracket	1
17	4178000367	Bracket	1
18	7660182601	Locknut, 0.50"-13NC	2
19	7701000048*	Plug	4
20	7701000051*	Plug	4
21	7105181450	Capscrew, 0.50"-20NF x 1.75"	8
22	7950180153	Flatwasher, 0.50 ID	8
23	7660182631	Locknut, 0.50"-20NF	8
24	3178000234*	Light Box, RH	1
25	3178000233*	Light Box, LH	1
26	4017001294*	Mud Flap Angle, RH	1
27	4017001293*	Mud Flap Angle, LH	1

* included in Subframe Weld, P/N 3868000233

SUBFRAME (INBOARD TILT CYLINDERS)

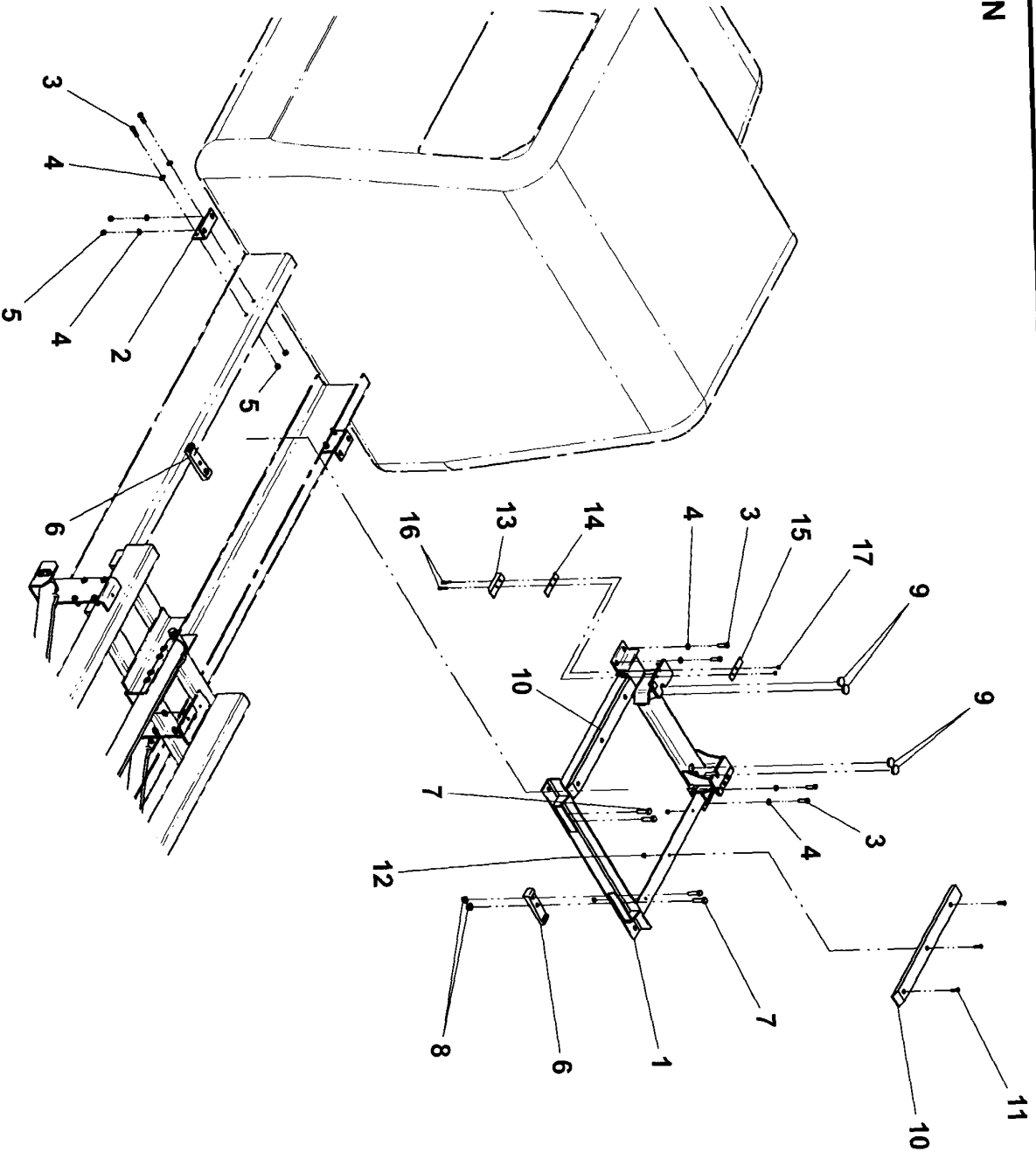


HOLD DOWN

ITEM	PART NO.	DESCRIPTION	QTY
1	3558000013*	Hold Down Weld	1
2	4017001271	Angle	2
3	7105181450	Capscrew, 0.50"-20NF x 1.75"	8
4	7950180153	Flatwasher, 0.50" ID	12
5	7660182631	Locknut, 0.50-20NF	8
6	7274000046	Retaining Clamp	2
7	7105201850	Capscrew, 0.63"-18NF x 2.25"	4
8	7660202348	Locknut, 0.63"-18NF	4
9	7701000063*	Plug	4
10	4679000153*	Wear Pad	2
11	7118161026*	Flathread Screw, 0.38"-16NC x 1.25"	6
12	7660162601*	Locknut, 0.38-16NC	6
13	4679000221*	Wear Pad	2
14	4812000071*	Shim - 0.12"	2
15	4812000072*	Shim - 0.06"	2
16	7114151218*	Capscrew, 0.31"-18NC x 1.50"	4
17	7660152601*	Locknut, 0.31"-18NC	4

* also available in Hold Down Assembly, P/N 3558000014

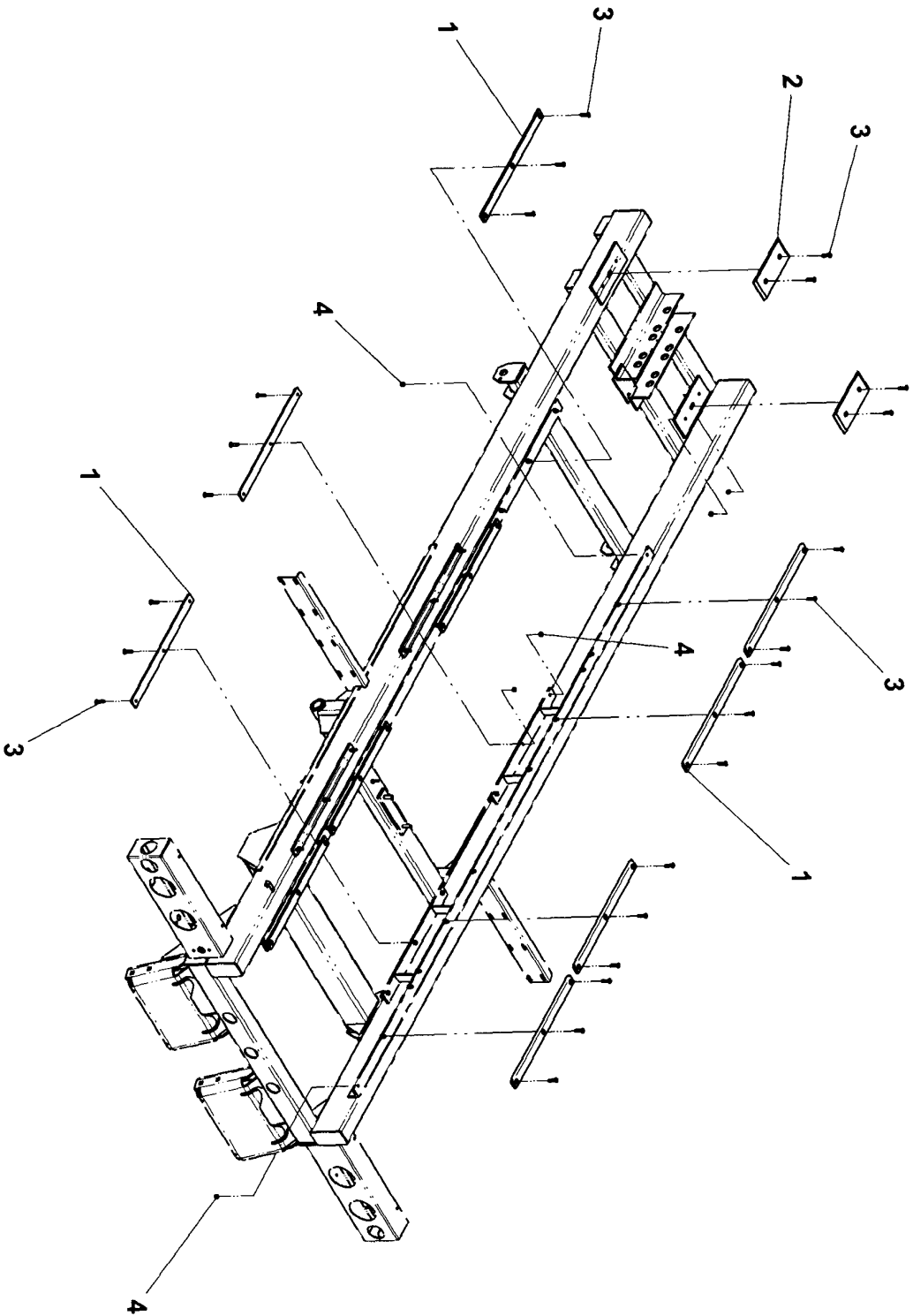
HOLD DOWN



SLIDE PAD

ITEM	PART NO.	DESCRIPTION	QTY
1	4679000145	Wear Pad	12
2	4679000154	Wear Pad (20' & 21' decks only)	2
3	7118161026	Screw, 0.38"-16NC x 1.25" (19' decks)	36
	7118161026	Screw, 0.38"-16NC x 1.25" (20' & 21' decks)	40
4	7660162601	Locknut, 0.38"-16NC (19' decks)	36
	7660162601	Locknut, 0.38"-16NC (20' & 21' decks)	40

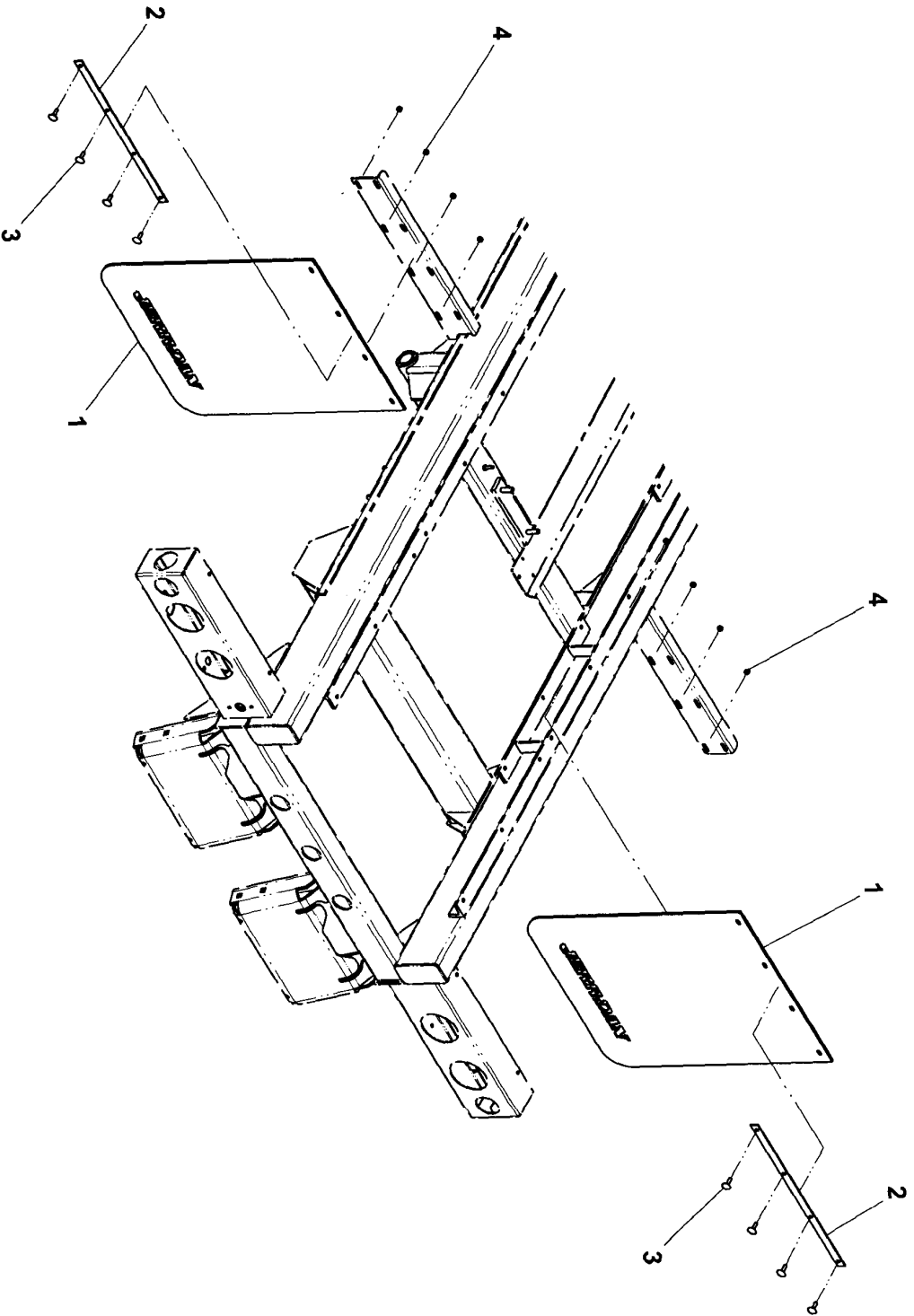
SLIDE PAD



MUD FLAP

ITEM	PART NO.	DESCRIPTION	QTY
1	7638000004	Mud Flap - Standard, 30" long	2
	7638000013	Mud Flap - High Frame, 36" long	
2	4706000233	Plate	2
3	7111150864	Carriage Bolt, 0.31"-18NC x 1.00"	8
4	7660152601	Locknut, 0.31"-18NC	8

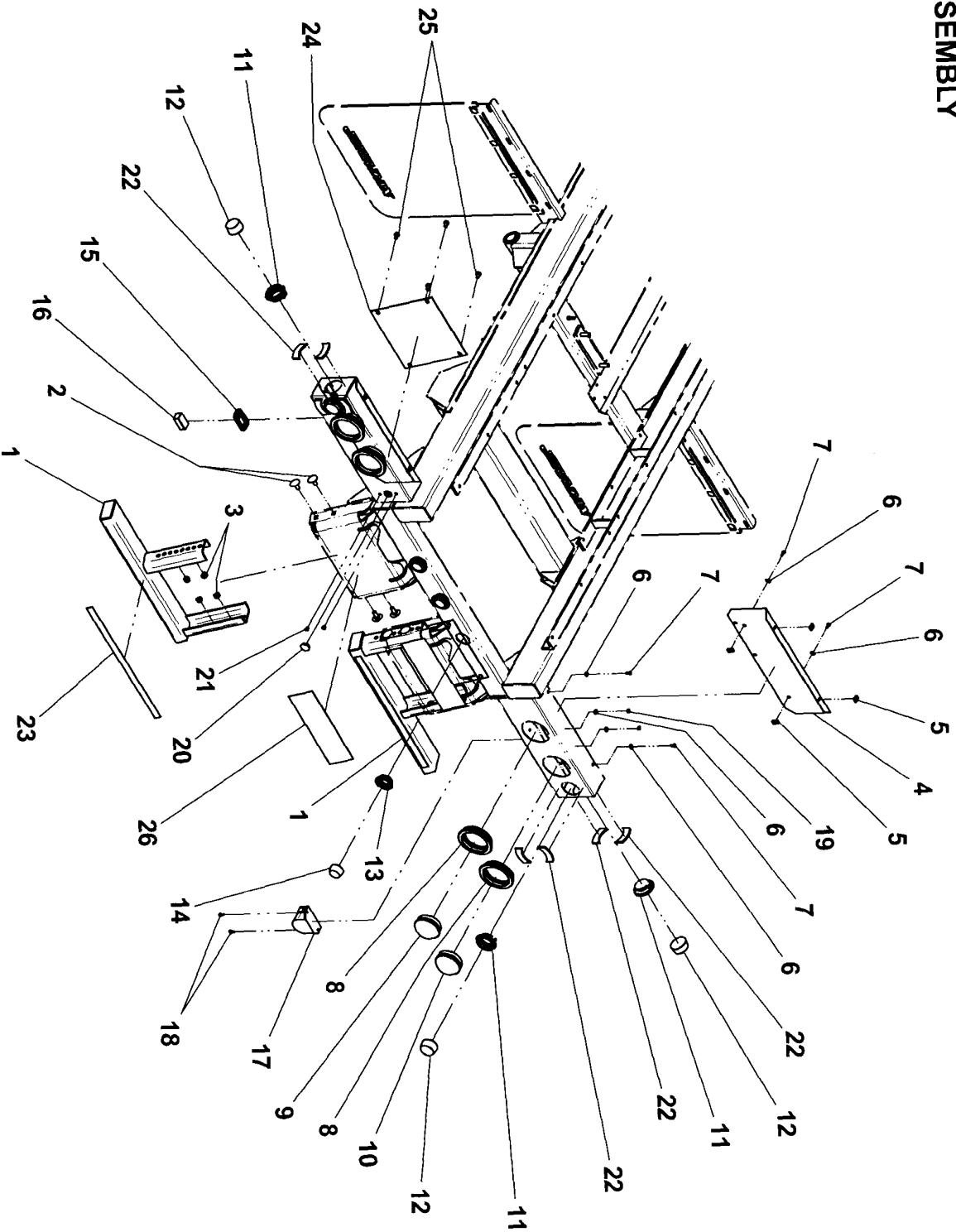
MUD FLAP



FINAL ASSEMBLY

ITEM	PART NO.	DESCRIPTION	QTY
1	3190000028	Bumper Tube Weld - Short (manual grids)	2
	3197000037	Bumper Tube Weld - Short (auto grids)	
	3190000030	Bumper Tube Weld - Long (manual grids)	
	3190000034	Bumper Tube Weld - Long (auto grids)	
2	7115181064	Carriage Bolt, 0.50"-13NC x 1.25"	8
3	7660182601	Locknut, 0.50"-13NC	8
4	4314000043	Light Box Cover	2
5	7661000042	U-Nut, 0.25"-20NC	8
6	7949000023	Nylon Washer, 0.26" ID	10
7	7114140529	Screw, 0.25"-20NC x 0.63"	8
8	7493000002	Grommet	4
9	7590000248	Back-Up Light - White (Std)	2
10	7590000247	Stop/Tail/Turn Light - Red (Std)	2
	7590000241	Stop/Tail/Turn Light - Red (LED)	
11	7493000009	Grommet	4
12	7590000245	Marker Light - Red (Std)	4
	7590000238	Marker Light - Red (LED)	
13	7493000023	Grommet	3
14	7590000246	Marker Light - Red (Std)	3
	7590000240	Marker Light - Red (LED)	
15	7493000010	Grommet	1
16	7590000251	License Plate Light	1
17	7011000007	Back-Up Alarm	1
18	7114140528	Screw, 0.25"-20NC x 0.63"	2
19	7660142601	Locknut, 0.25-20NC	2
20	7701000049	Plug	1
21	7701000055	Plug	2
22	7330000497	Reflector - Red	8
23	7330000428	Reflective Tape	2
24	4314000070	Cover Plate	2
25	7790161253	Screw, 0.38"-16NC x 0.75"	8
26	7679000016	Non-Skid Pad (manual grids)	8
	7679000020	Non-Skid Pad (auto grids)	2

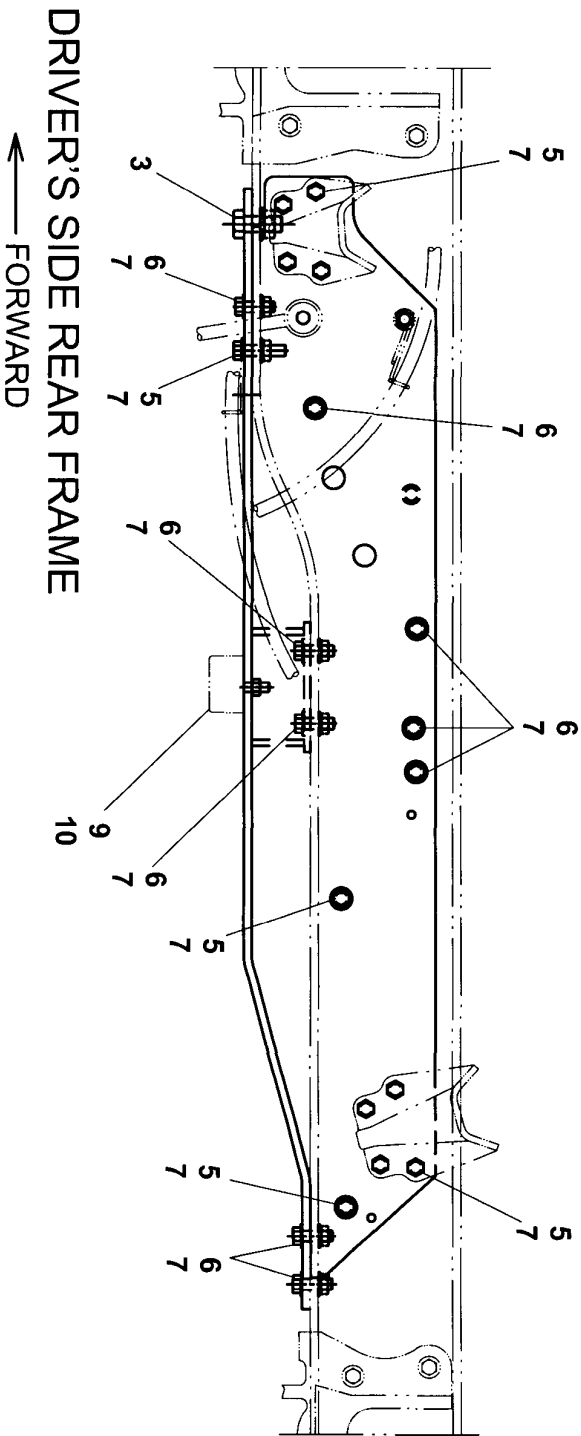
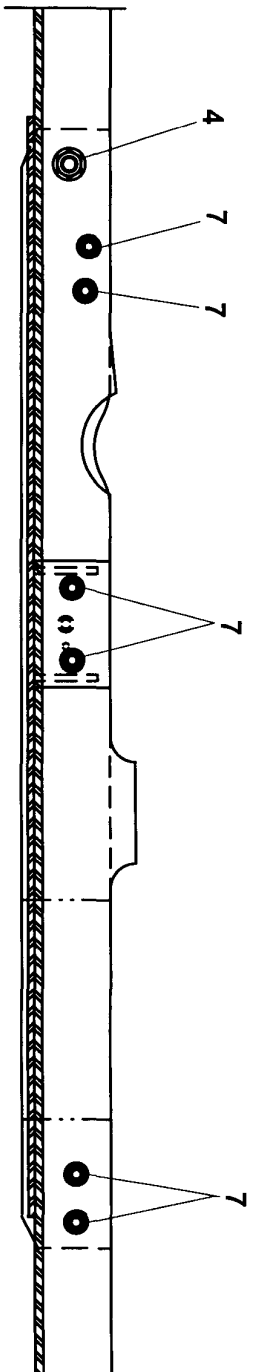
FINAL ASSEMBLY



FORD F550 FRAME REINFORCEMENT AND SPRING SPACERS

ITEM	PART NO.	DESCRIPTION	QTY
1	3177000053	Brace Weld - LH	1
2	3177000054	Brace Weld - RH	1
3	7105201250	Capscrew, 0.63"-18NF x 1.75"	2
4	7660202347	Locknut, 0.63"-18NF	2
5	7105171450	Capscrew, 0.44"-20NF x 1.75"	19
6	7105171050	Capscrew, 0.44"-20NF x 1.25"	23
7	7950170142	Flatwasher, 0.44" ID	42
8	7660172331	Locknut, 0.44"-20NF	26
9	7813000044	Spacer	2
10	7120000044	U-Bolt	4

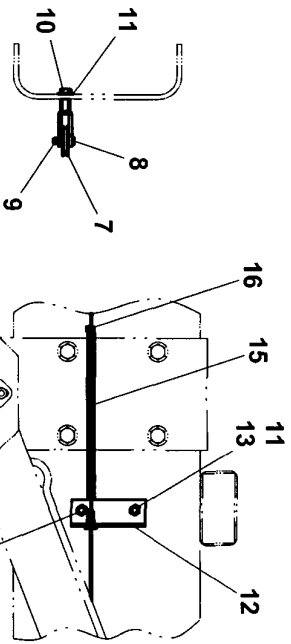
FORD F550 FRAME REINFORCEMENT AND SPRING SPACERS



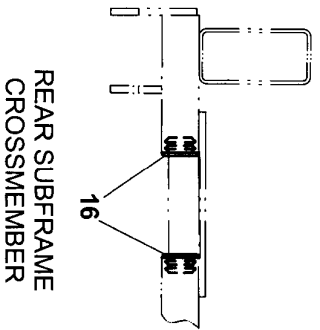
FORD F550 SUBFRAME MODIFICATIONS

ITEM	PART NO.	DESCRIPTION	QTY
1	4062000281	Bar	1
2	4178000283	Bracket	1
3	7570000016	Fuel Filler Hose	1
4	7570000017	Fuel Vent Hose	1
5	7790161253	Screw, 0.38"-16NC x 0.75"	2
6	7277000001	Clevis	1
7	4809000003	Sheave	1
8	7690151601	Clevis Pin	1
9	7690021610	Cotter Pin	1
10	7105150820	Capscrew, 0.31-24NF x 1.00"	1
11	7950150161	Flatwasher, 0.31" ID	3
12	4178000287	Bracket	1
13	7115151050	Capscrew, 0.31"-18NC x 1.25"	2
14	7660152601	Locknut, 0.31"-18NC	2
15	4597000003	Plastic Loom	1
16	5526000553	Tie Strap	2
17	7701000051	Plug	2

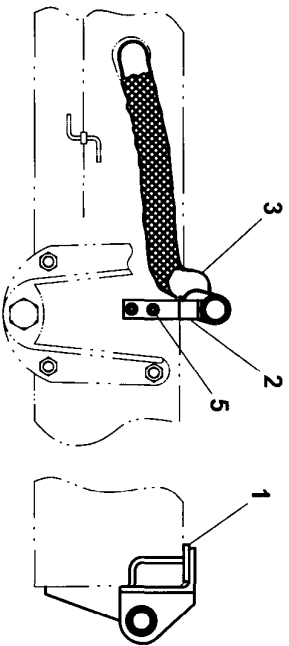
FORD F550 SUBFRAME MODIFICATIONS



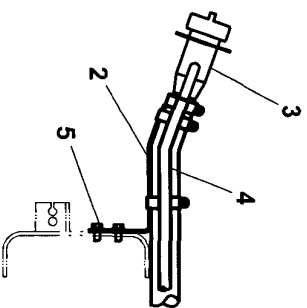
DRIVER'S SIDE



REAR SUBFRAME
CROSSMEMBER



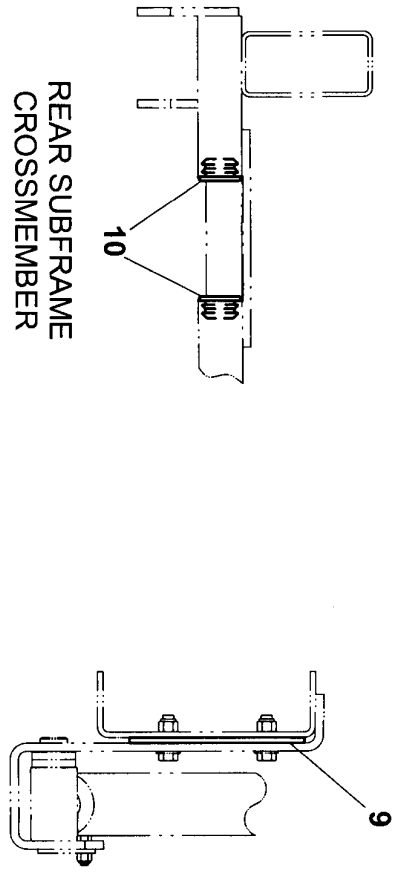
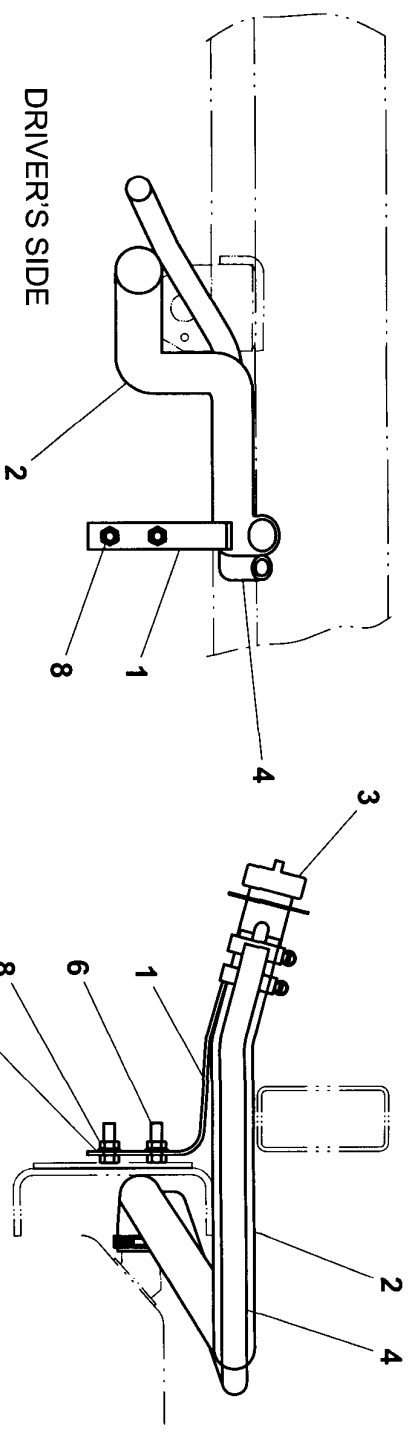
DRIVER'S SIDE



GM C4500/5500 SUBFRAME MODIFICATIONS

ITEM	PART NO.	DESCRIPTION	QTY
1	4178000421	Bracket	1
2	7570000023	Fuel Filler Hose (2005 & earlier)	1
	7570000031	Fuel Filler Hose (2006 & later)	
3	7912000233	Fuel Fillneck (2006 & later diesel)	1
	7912000235	Fuel Fillneck (2006 & later gas)	
4	7570000017	Fuel Vent Hose (2006 & later diesel)	1
5	7254000021	Fill Cap - 2006 & later gas only	1
6	7115181050	Capscrew, 0.50"-13NC x 1.25"	2
7	7950180153	Flatwasher, 0.50" ID	4
8	7660182601	Locknut, 0.50"-13NC	2
9	4705000607	Plate	2
10	7701000051	Plug	2

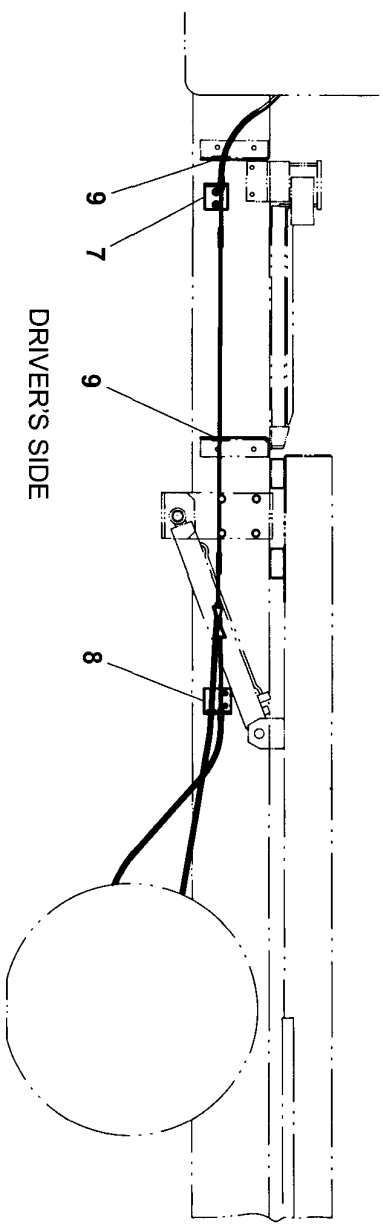
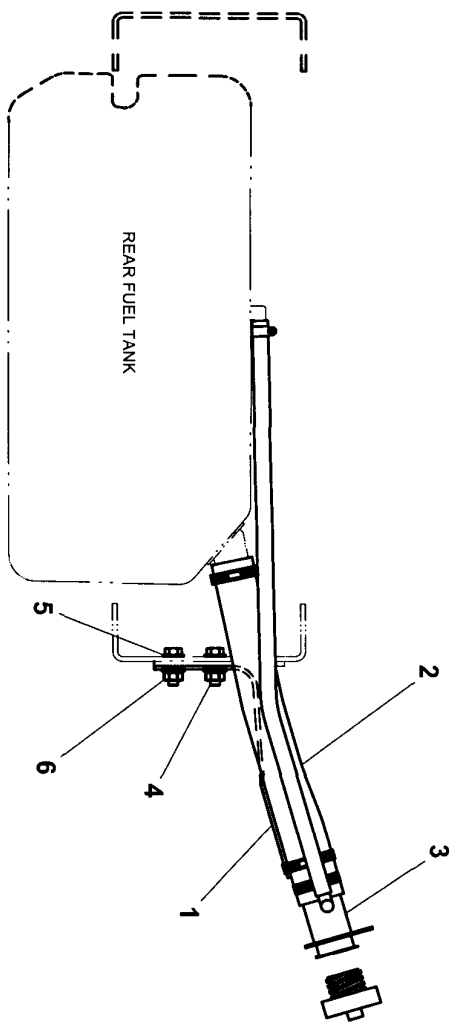
GM C4500/5500 SUBFRAME MODIFICATIONS



GM C4500/5500 BRAKE CABLE REWORK AND REAR FUEL TANK MODIFICATIONS

ITEM	PART NO.	DESCRIPTION	QTY
1	4178000421	Bracket	1
2	7570000025	Fuel Filler Hose (2005 & earlier)	1
3	7912000234	Fuel Fillneck (2006 & later diesel)	1
	7912000236	Fuel Fillneck (2006 & later gas)	
4	7105181450	Capscrew, 0.50-20NF x 1.75"	2
5	7950180153	Flatwasher, 0.50" ID	2
6	7660182631	Locknut, 0.50"-20NF	2
7	4178000474	Bracket	1
8	4178000475	Bracket	1
9	7493000011	Grommet	2

GM C4500/5500 BRAKE CABLE REWORK AND REAR FUEL TANK



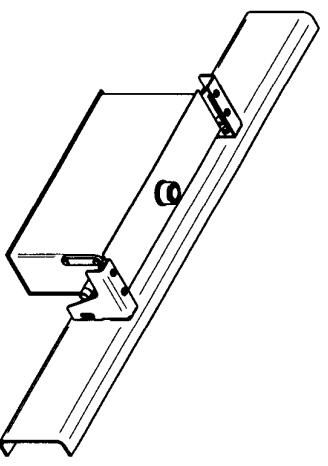
HYDRAULIC RESERVOIR AND TOOLBOX / BASKET

ITEM	PART NO.	DESCRIPTION	QTY*
1	4178000331	Mounting Bracket - Short	
	4178000291	Mounting Bracket - Std	
	4178000339	Mounting Bracket - Long	
2	4178000330	Mounting Bracket - Short	
	4178000290	Mounting Bracket - Std	
	4178000338	Mounting Bracket - Long	
3	3750000018	Hydraulic Reservoir Assembly	
4	7183000004+	Breather Filler Cap Assembly	
5	7470000009+	Level / Temperature Gauge	
6	7430000014+	Strainer	
7	7105181450	Capscrew, 0.50"-20NF x 1.75"	
8	7950180153	Flat Washer, 0.50" ID	
9	7660182631	Locknut, 0.50"-20NF	
10	7115150850	Capscrew, 0.31"-18NC x 1.00"	
11	7950150161	Flatwasher, 0.31" ID	
12	7660152601	Locknut, 0.31"-18NC	
13	3899000130	Toolbox Assembly - 36" x 18" x 18"	
	3899000131	Toolbox Assembly - 36" x 18" x 14"	
	3899000132	Toolbox Assembly - 48" x 18" x 18"	
	3899000133	Toolbox Assembly - 60" x 18" x 18"	
14	4679000256^	Rubber Pad (36" Toolbox)	
	4679000257^	Rubber Pad (48" Toolbox)	
	4679000258^	Rubber Pad (60" Toolbox)	
15	7118181216	Capscrew, 0.50"-13NC x 1.50"	
16	7660182301	Locknut, 0.50"-13NC	
17	4706002361	Plate	
18	4017000777	High Mount Angle	
19	3899000053	Basket - 15" deep	
	3899000075	Basket - 24" deep	
20	4632000015	Moulding - 15" deep basket	
	4632000048	Moulding - 24" deep basket	
21	70020000410	Stainless Steel Cover Plate for Basket includes rivets	

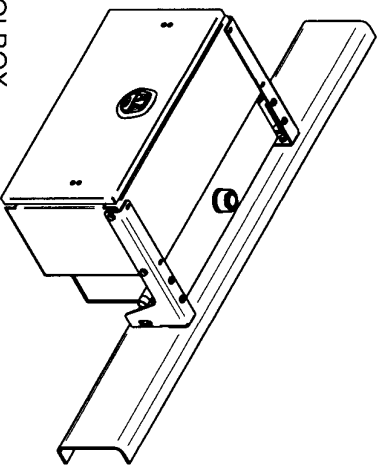
+ also available in Hydraulic Reservoir Assembly, P/N 3750000018
^ included in Toolbox Assembly

* Quantities vary depending on Hydraulic Tank / Toolbox / Basket
mounting configuration.

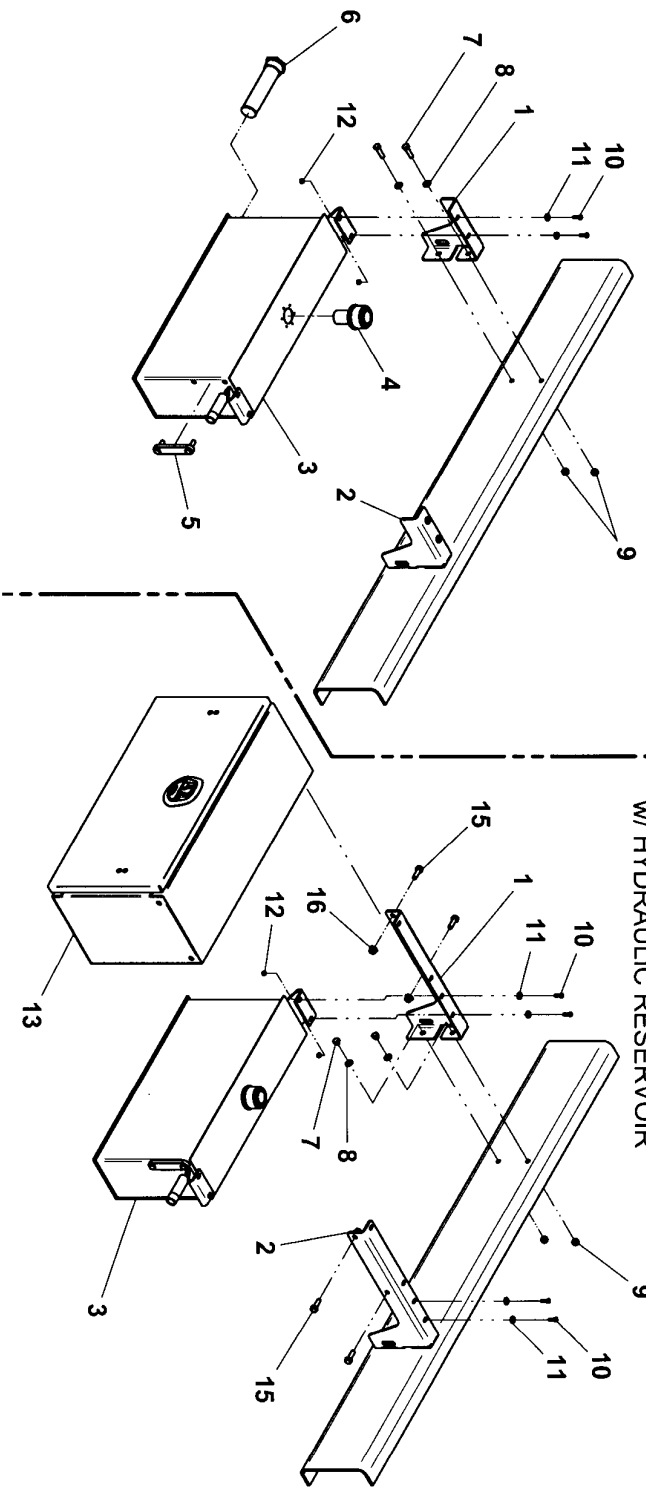
HYDRAULIC RESERVOIR AND TOOLBOX / BASKET



HYDRAULIC TANK ONLY

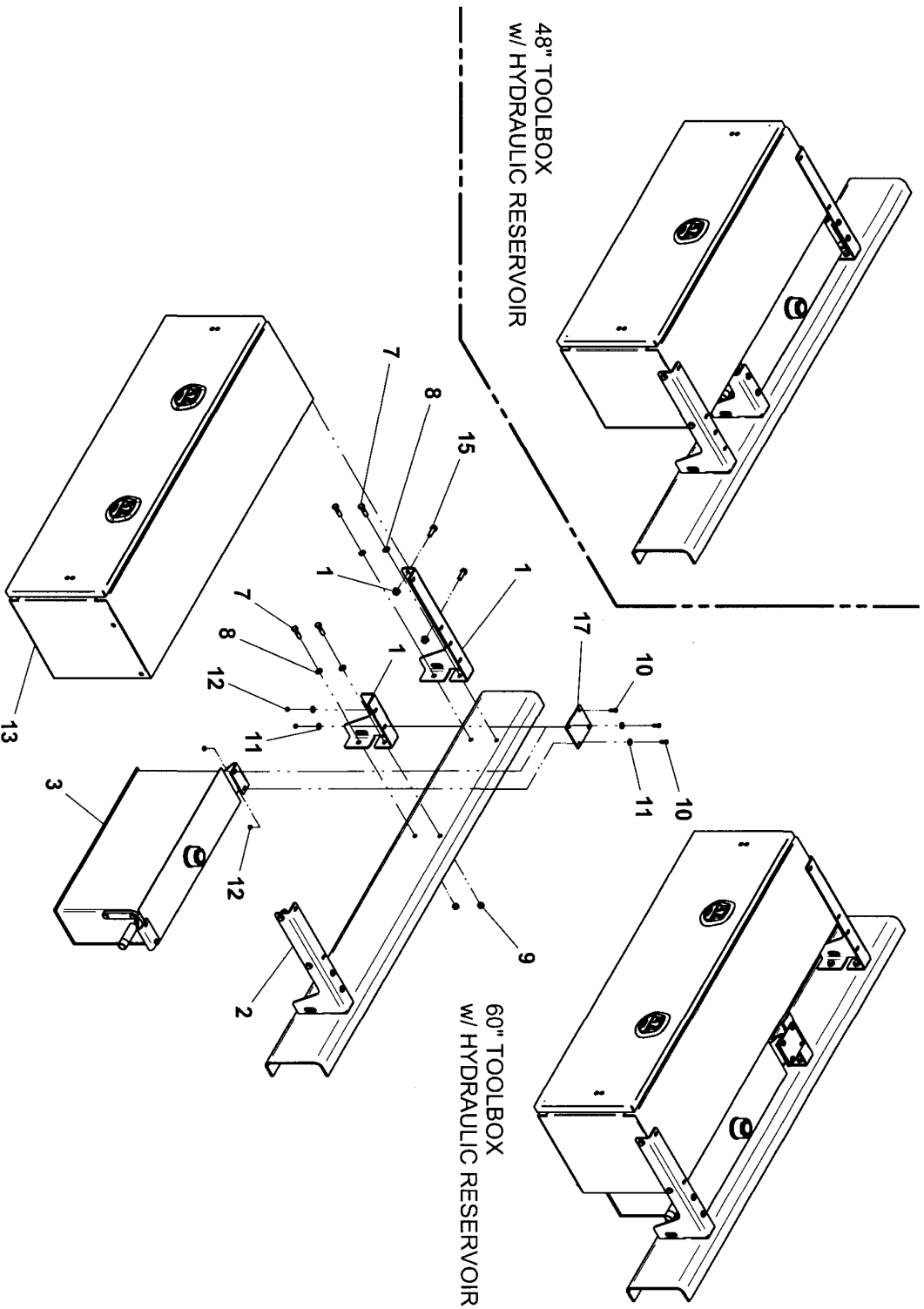


36" TOOLBOX
w/ HYDRAULIC RESERVOIR



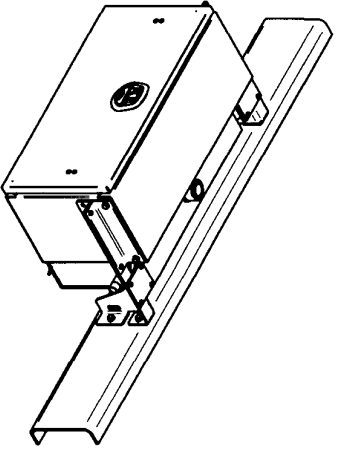
Item #14, Toolbox Rubber Pad, not shown

HYDRAULIC RESERVOIR AND TOOLBOX / BASKET

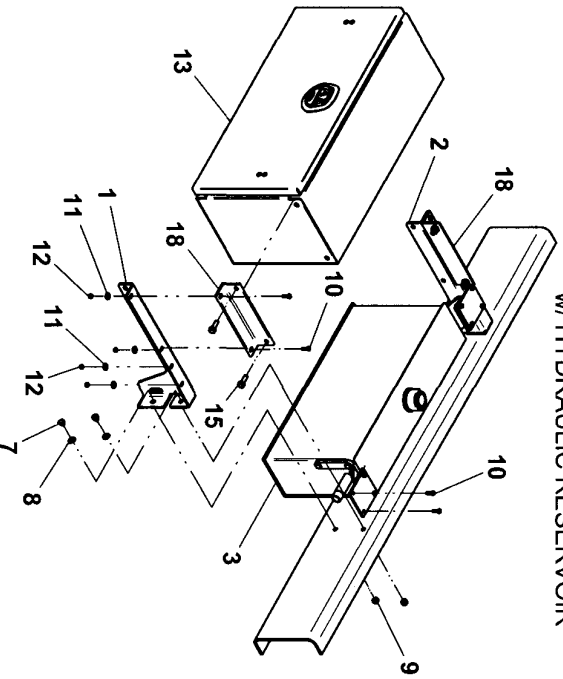


Item #14, Toolbox Rubber Pad, not shown

HYDRAULIC RESERVOIR AND TOOLBOX / BASKET

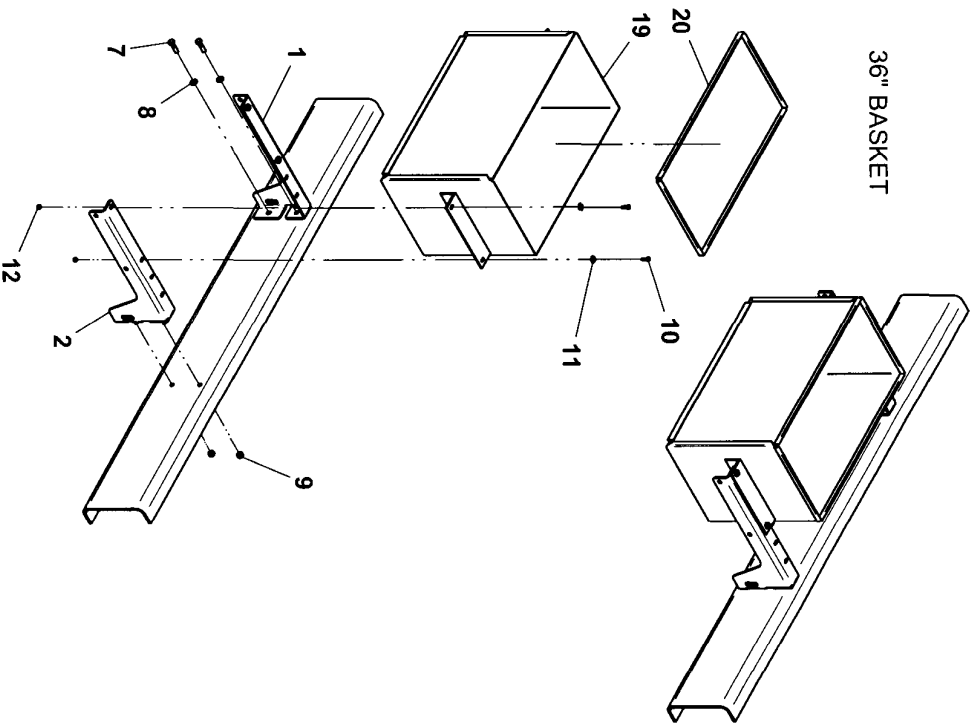


36" HIGH MOUNT TOOLBOX
w/ HYDRAULIC RESERVOIR



Items #14, Toolbox Rubber Pad and #21, Stainless Cover for Basket, not shown

36" BASKET

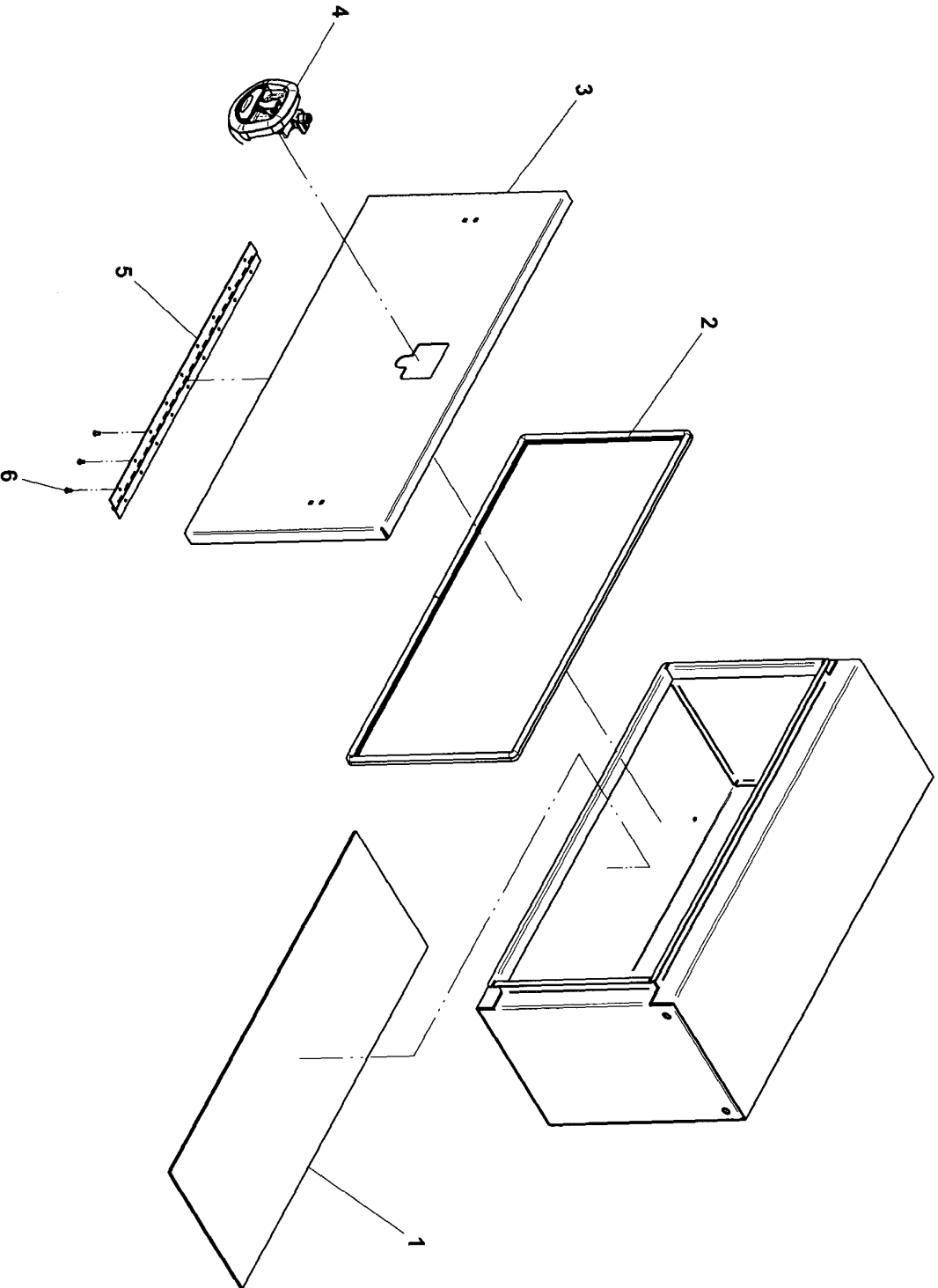


TOOLBOX

ITEM	PART NO.	DESCRIPTION	QTY*
1	4679000256	Rubber Pad (36" toolbox)	1
	4679000257	Rubber Pad (48" toolbox)	1
	4679000258	Rubber Pad (60" toolbox)	1
2	4796000009	Gasket (36" toolbox)	1
	4796000010	Gasket (48" toolbox)	1
	4796000011	Gasket (60" toolbox)	1
3	9899000014	Toolbox Door Assembly (36" toolbox)	1
	9899000015	Toolbox Door Assembly (48" toolbox)	1
	9899000016	Toolbox Door Assembly (60" toolbox)	1
4	7585000019 ^v	Latch	1
	7555000016 ^v	Hinge (36" toolbox)	1
	7555000015 ^v	Hinge (48" toolbox)	2
	7555000016 ^v	Hinge (60" toolbox)	2
6	7759000020 ^v	Rivet (36" toolbox)	9
	7759000020	Rivet (48" toolbox)	14
	7759000020	Rivet (60" toolbox)	18

* Quantities listed are for one toolbox
^v also included in Toolbox Door Assembly

TOOLBOX

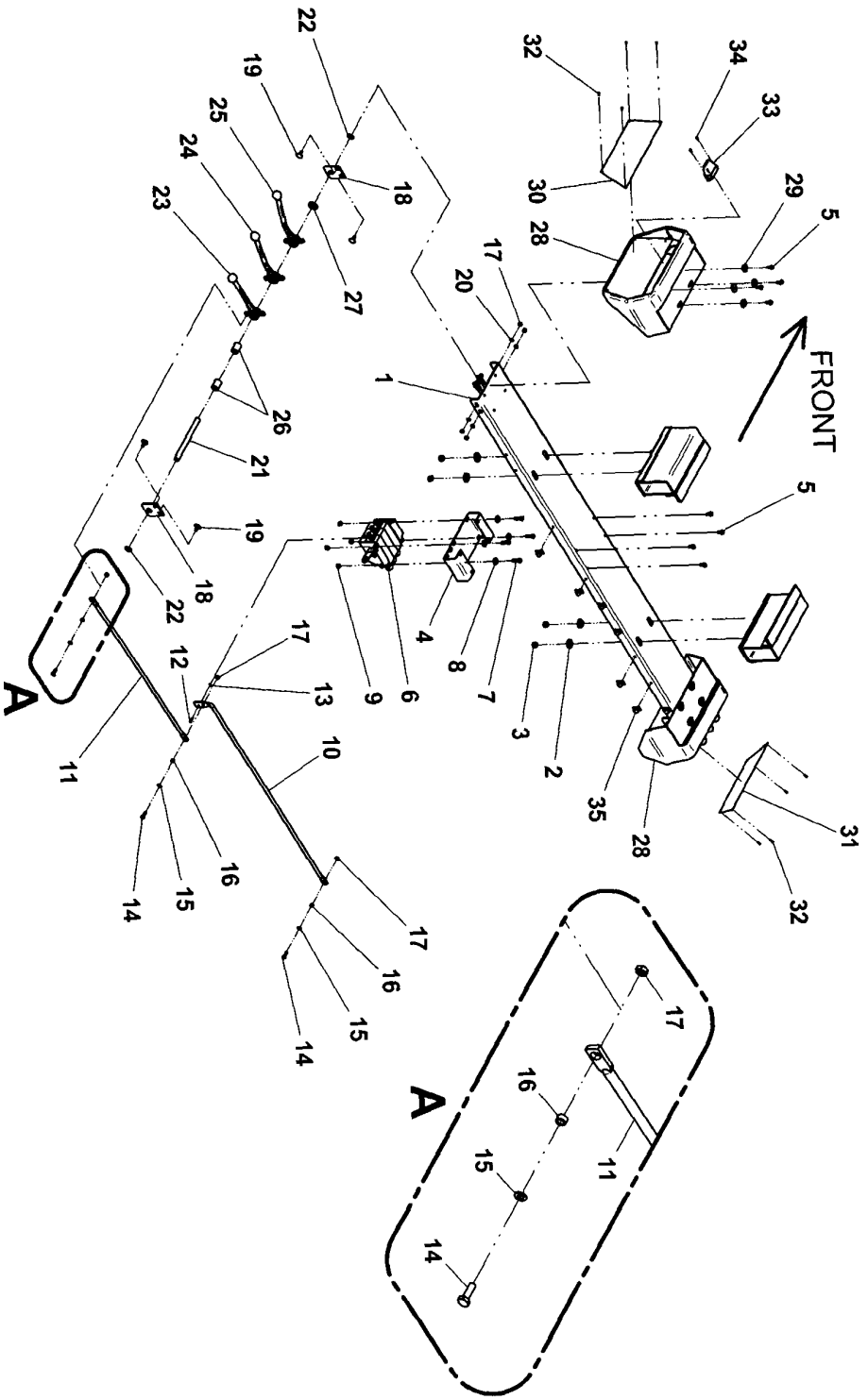


36" Toolbox shown

DUAL CONTROLS - 3 BANK

ITEM	PART NO.	DESCRIPTION	QTY	ITEM	PART NO.	DESCRIPTION	QTY
1	4263000431	Channel	1	29	7949000054	Washer, 0.34" ID	8
2	7950180161	Flatwasher, 0.50" ID	4	30	7330000456	Control Panel, LH	1
3	7660182601	Locknut, 0.50"-13NC	4	31	7330000457	Control Panel, RH	1
4	4263000430	Channel	1	32	7759000006	Pop Rivet	8
5	7790151253	Screw, 0.31"-18NC x 0.75"	12	33	7590000087	Lamp	2
6	3935000111	Control Valve	1	34	7791060872	Screw, #6 x 0.50"	4
	3935000122	Control Valve (remote winch)		35	7280000007	Wire Clip	11
	3935000115	Control Valve (foreign chassis)					
	3935000122	Control Valve (remote winch, foreign chassis)					
7	7111161050	Capscrew, 0.38"-16NC x 1.25"	4				
8	7950160161	Flatwasher, 0.38" ID	4				
9	7660162601	Locknut, 0.38"-16NC	4				
10	4763000280	Control Rod	3				
11	4763000279	Control Rod	3				
12	7690101200	Clevis Pin	3				
13	7691000056	Cotter Pin	3				
14	7115150850	Capscrew, 0.31"-18NC x 1.00"	9				
15	7949000011	Flatwasher, 0.31" ID	9				
16	4831000069	Spacer	9				
17	7660152601	Locknut, 0.31"-18NC	17				
18	4606000065	Lug	4				
19	7115150664	Carriage Bolt, 0.31"-18NC x 0.75"	8				
20	7950150000	Washer, 0.31" ID	8				
21	4691000141	Pin	2				
22	7754000009	Retaining Ring	4				
23	7551000018	Control Handle	2				
24	7551000020	Control Handle	2				
25	7551000021	Control Handle	2				
26	4211000001	Bushing	4				
27	7950220141	Flatwasher, 0.75" ID	4				
28	7560000003	Control Hood	2				

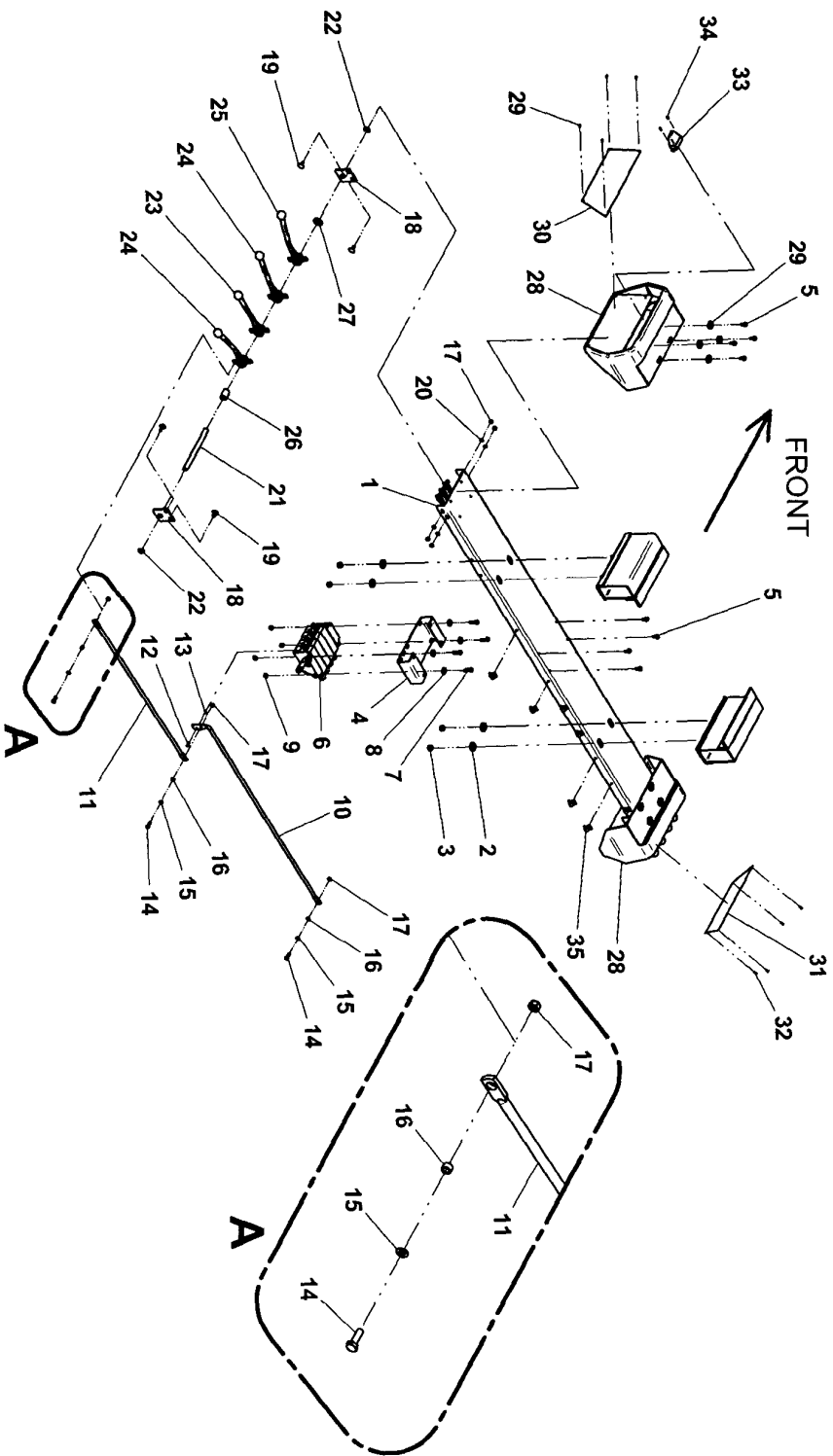
DUAL CONTROLS - 3 BANK



DUAL CONTROLS - 4 BANK

ITEM	PART NO.	DESCRIPTION	QTY	ITEM	PART NO.	DESCRIPTION	QTY
1	4263000431	Channel	1	29	7949000054	Washer, 0.34" ID	8
2	7950180161	Flatwasher, 0.50" ID	4	30	7330000458	Control Panel, LH (stabilizer)	1
3	7660182601	Locknut, 0.50"-13NC	4		7330000456	Control Panel, LH (hydraulic tow option)	1
4	4263000430	Channel	1	31	7330000459	Control Panel, RH (stabilizer)	1
5	7790151253	Screw, 0.31"-18NC x 0.75"	12		7330000457	Control Panel, RH (hydraulic tow option)	1
6	3935000112	Control Valve	1	32	7759000006	Pop Rivet	8
	3935000126	Control Valve (remote winch)		33	7590000087	Lamp	2
	3935000116	Control Valve (foreign chassis)		34	7791060872	Screw, #6 x 0.50"	4
	3935000126	Control Valve (remote winch, foreign chassis)		35	7280000007	Wire Clip	11
7	7111161050	Capscrew, 0.38"-16NC x 1.25"	4				
8	7950160161	Flatwasher, 0.38" ID	4				
9	7660162601	Locknut, 0.38"-16NC	4				
10	4763000280	Control Rod	4				
11	4763000279	Control Rod	4				
12	7690101200	Clevis Pin	4				
13	7691000056	Cotter Pin	4				
14	7115150850	Capscrew, 0.31"-18NC x 1.00"	12				
15	7949000011	Flatwasher, 0.31" ID	12				
16	4831000069	Spacer	12				
17	7660152601	Locknut, 0.31"-18NC	20				
18	4606000065	Lug	4				
19	7115150664	Carriage Bolt, 0.31"-18NC x 0.75"	8				
20	7950150000	Washer, 0.31" ID	8				
21	4691000141	Pin	2				
22	7754000009	Retaining Ring	4				
23	7551000018	Control Handle	2				
24	7551000020	Control Handle	4				
25	7551000021	Control Handle	2				
26	4211000001	Bushing	2				
27	7950220141	Flatwasher, 0.75" ID	2				
28	7560000003	Control Hood	2				

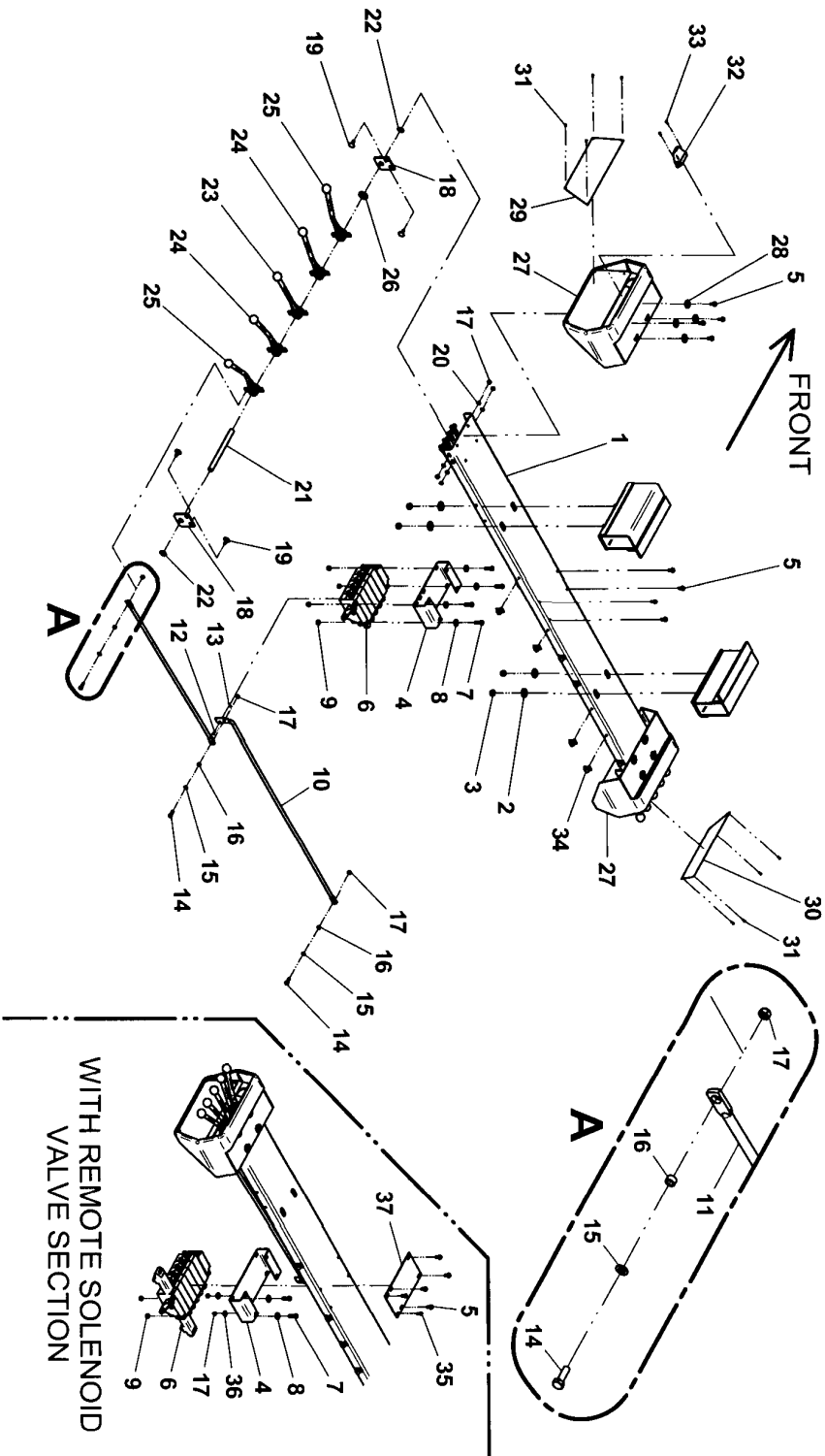
DUAL CONTROLS - 4 BANK



DUAL CONTROLS - 5 BANK

ITEM	PART NO.	DESCRIPTION	QTY	ITEM	PART NO.	DESCRIPTION	QTY
1	4263000431	Channel	1	26	7950220141	Flatwasher, 0.75" ID	2
2	7950180161	Flatwasher, 0.50" ID	4	27	7560000003	Control Hood	2
3	7660182601	Locknut, 0.50"-13NC	4	28	7949000054	Washer, 0.34" ID	8
4	4263000430	Channel	1	29	7330000458	Control Panel, LH (stabilizer)	1
	4263000433	Channel (remote winch)			7330000456	Control Panel, LH (IRL)	
5	7790151253	Screw, 0.31"-18NC x 0.75"	12	30	7330000459	Control Panel, RH (stabilizer)	1
	3935000113	Control Valve	1	31	7330000457	Control Panel, RH (IRL)	8
	3935000119	Control Valve (stabilizer w/ remote winch)		32	7759000006	Pop Rivet	2
	3935000120	Control Valve (IRL w/ remote winch)		33	7590000087	Lamp	4
	3935000117	Control Valve (foreign chassis)		34	7791060872	Screw, #6 x 0.50"	11
	3935000119	Control Valve (remote winch, foreign chassis)		35	7280000007	Wire Clip	2
7	7111161050	Cap screw, 0.38"-16NC x 1.25"	4		7111150650	Cap screw, 0.31"-18NC x 0.75" (remote winch)	2
8	7950160161	Flatwasher, 0.38" ID	4	36	7950150161	Flatwasher, 0.31" ID (remote winch)	2
9	7660162601	Locknut, 0.38"-16NC	4				
10	4763000280	Control Rod	5	37	4706003900	Plate (remote winch)	1
11	4763000279	Control Rod	5				
12	7690101200	Clevis Pin	5				
13	7691000056	Cotter Pin	5				
14	7115150850	Cap screw, 0.31"-18NC x 1.00"	15				
15	7949000011	Flatwasher, 0.31" ID	15				
16	4831000069	Spacer	15				
17	7660152601	Locknut, 0.31"-18NC	23				
18	7660152601	Locknut, 0.31"-18NC (remote winch)	25				
19	4606000065	Lug	4				
20	7115150664	Carriage Bolt, 0.31"-18NC x 0.75"	8				
21	7950150000	Washer, 0.31" ID	8				
22	4691000141	Pin	2				
23	7754000009	Retaining Ring	4				
24	7551000018	Control Handle	2				
25	7551000020	Control Handle	4				
	7551000021	Control Handle	4				

DUAL CONTROLS - 5 BANK

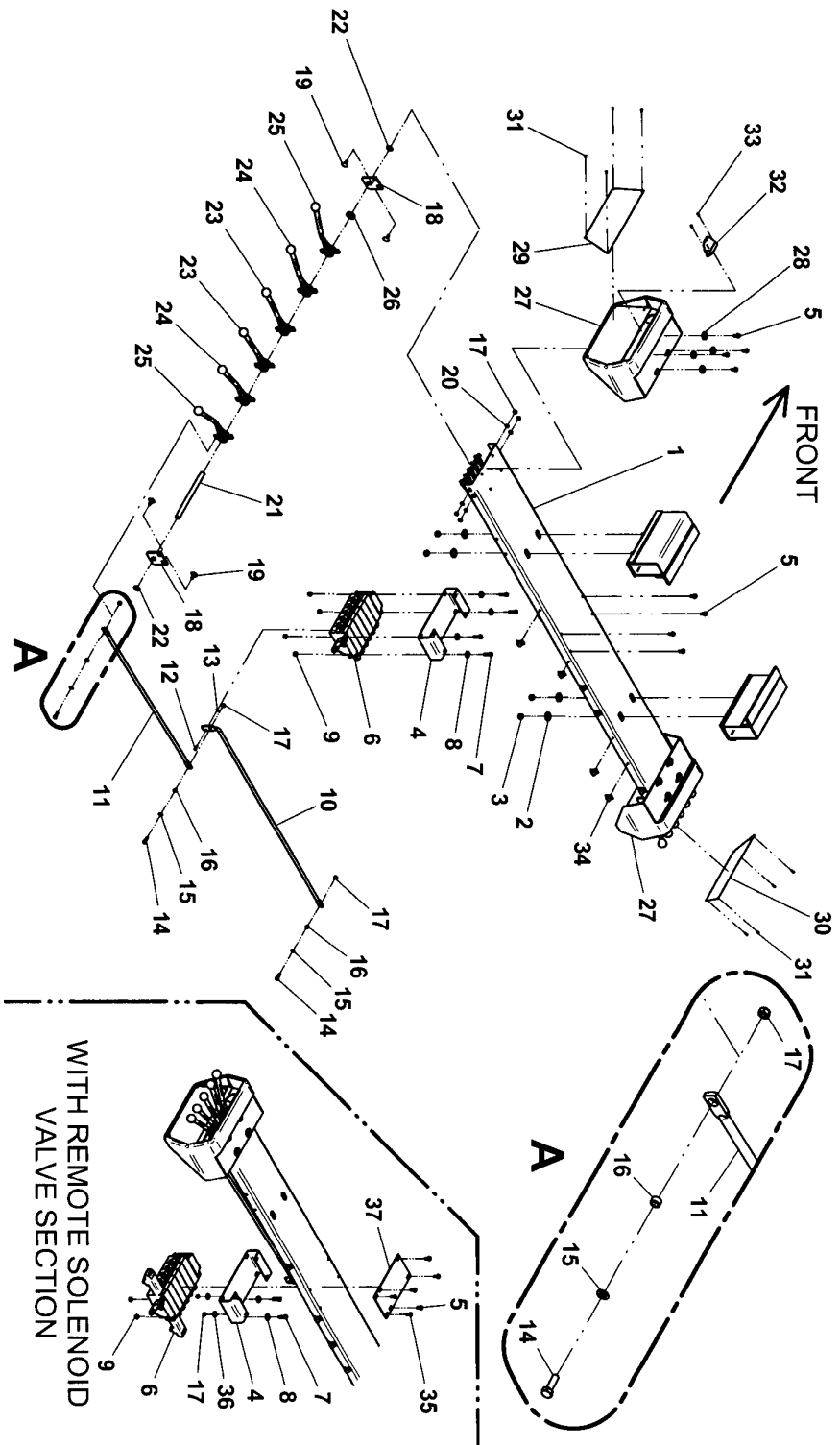


WITH REMOTE SOLENOID
VALVE SECTION

DUAL CONTROLS - 6 BANK

ITEM	PART NO.	DESCRIPTION	QTY	ITEM	PART NO.	DESCRIPTION	QTY
1	4263000431	Channel (manual grids)	1	22	7754000009	Retaining Ring	2
	4263000434	Channel (auto grids)		23	7551000019	Control Handle	4
2	7950180161	Flatwasher, 0.50 ID	4	24	7551000020	Control Handle	4
3	76601822601	Locknut, 0.50-13NC	4	25	7551000021	Control Handle	4
4	4263000433	Channel	1	26	7950220141	Flatwasher, 0.75" ID	4
	4263000464	Channel - w/ remote solenoid		27	7560000003	Control Hood	2
5	7790151253	Screw, 0.31-18NC x 0.75	12	28	7949000054	Washer, 0.34" ID	8
	3935000114	Control Valve (manual grids)		29	7330000462	Control Panel, LH (manual grids)	1
6	3935000166	Control Valve (auto grids)	1	30	7330000588	Control Panel, LH (auto grids)	1
	3935000121	Control Valve (manual grids & remote winch)			7330000589	Control Panel, RH (manual grids)	1
	3935000167	Control Valve (auto grids & remote winch)		31	7759000006	Control Panel, RH (auto grids)	8
	3935000118	Control Valve (manual grids & foreign chassis)		32	7590000087	Pop Rivet	2
	3935000121	Control Valve (manual grids, remote winch & foreign chassis)		33	7791060872	Lamp	4
7	7111161050	Capscrew, 0.38-16NC x 1.25"	4	34	7280000007	Screw, #6 x 0.50"	11
8	7950160161	Flatwasher, 0.38" ID	4	35	7111150650	Wire Clip	2
9	7660162601	Locknut, 0.38"-16NC	4			Capscrew, 0.31"-18NC x 0.75" (remote winch)	2
10	4763000280	Control Rod	6	37	4706003230	Flatwasher, 0.31" ID (remote winch)	1
11	4763000279	Control Rod	6			Plate (remote winch)	
12	7690101200	Clevis Pin	6				
13	7691000056	Cotter Pin	6				
14	7115150850	Capscrew, 0.31"-18NC x 1.00"	18				
15	7949000011	Flatwasher, 0.31" ID	18				
16	4831000069	Spacer	18				
17	7660152601	Locknut, 0.31"-18NC	26				
	7660152601	Locknut, 0.31"-18NC (remote winch)	28				
18	4606000065	Lug	4				
19	7115150664	Carriage Bolt, 0.31"-18NC x 0.75"	8				
20	7950150000	Washer, 0.31" ID	8				
21	4691000373	Pin	2				

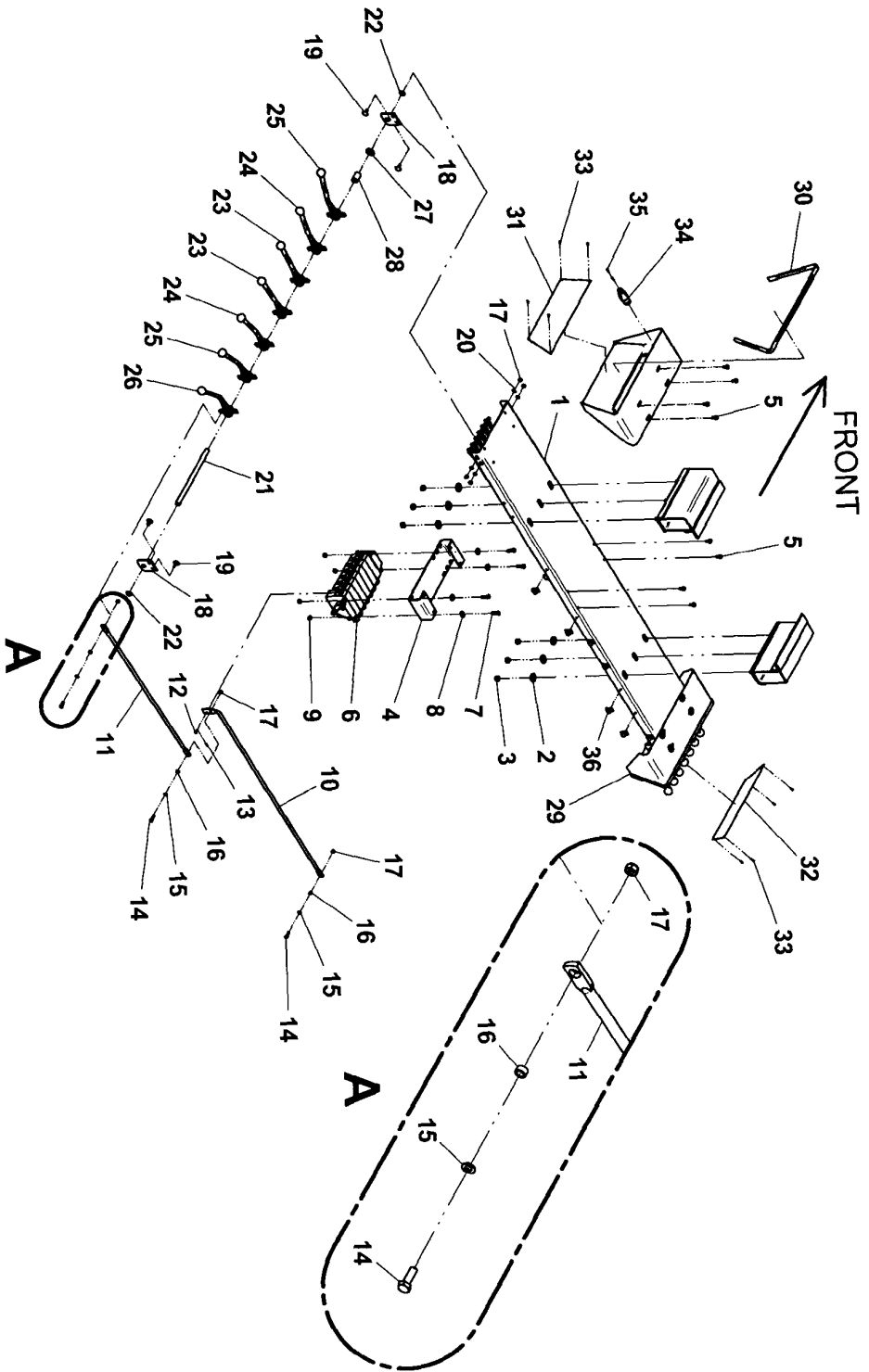
DUAL CONTROLS - 6 BANK



DUAL CONTROLS - 7 BANK

ITEM	PART NO.	DESCRIPTION	QTY	ITEM	PART NO.	DESCRIPTION	QTY
1	4263000463	Channel	1	31	7330000548	Control Panel, LH	1
2	7950180161	Flatwasher, 0.50 ID	6	32	7330000549	Control Panel, RH	1
3	7660182601	Locknut, 0.50-.13NC	6	33	7759000004	Pop Rivet	8
4	4263000464	Channel	1	34	7590000087	Lamp	2
5	7790151253	Screw, 0.31-.18NC x 0.75	12	35	7790101276	Screw, #6 x 0.50"	4
6	3935000150	Control Valve	1	36	7280000007	Wire Clip	11
7	3935000139	Control Valve (remote winch)	4				
8	711161050	Capscrew, 0.38-16NC x 1.25"	4				
9	7950160161	Flatwasher, 0.38" ID	4				
10	7660162601	Locknut, 0.38"-16NC	4				
11	4763000280	Control Rod	7				
12	4763000279	Control Rod	7				
13	7690101200	Clevis Pin	7				
14	7691000056	Cotter Pin	7				
15	7115150850	Capscrew, 0.31"-18NC x 1.00"	21				
16	7949000011	Flatwasher, 0.31" ID	21				
17	4831000069	Spacer	21				
18	7660152601	Locknut, 0.31"-18NC	29				
19	4606000065	Lug	4				
20	7115150664	Carriage Bolt, 0.31"-18NC x 0.75"	8				
21	7950150000	Washer, 0.31" ID	8				
22	4691000374	Pin	2				
23	7754000009	Retaining Ring	4				
24	7551000019	Control Handle	4				
25	7551000020	Control Handle	4				
26	7551000021	Control Handle	4				
27	7551000022	Control Handle	2				
28	7950220141	Flatwasher, 0.75" ID	2				
29	4211000001	Bushing	2				
30	3560000009	Control Hood	2				
	4632000029	Moulding	2				

DUAL CONTROLS - 7 BANK



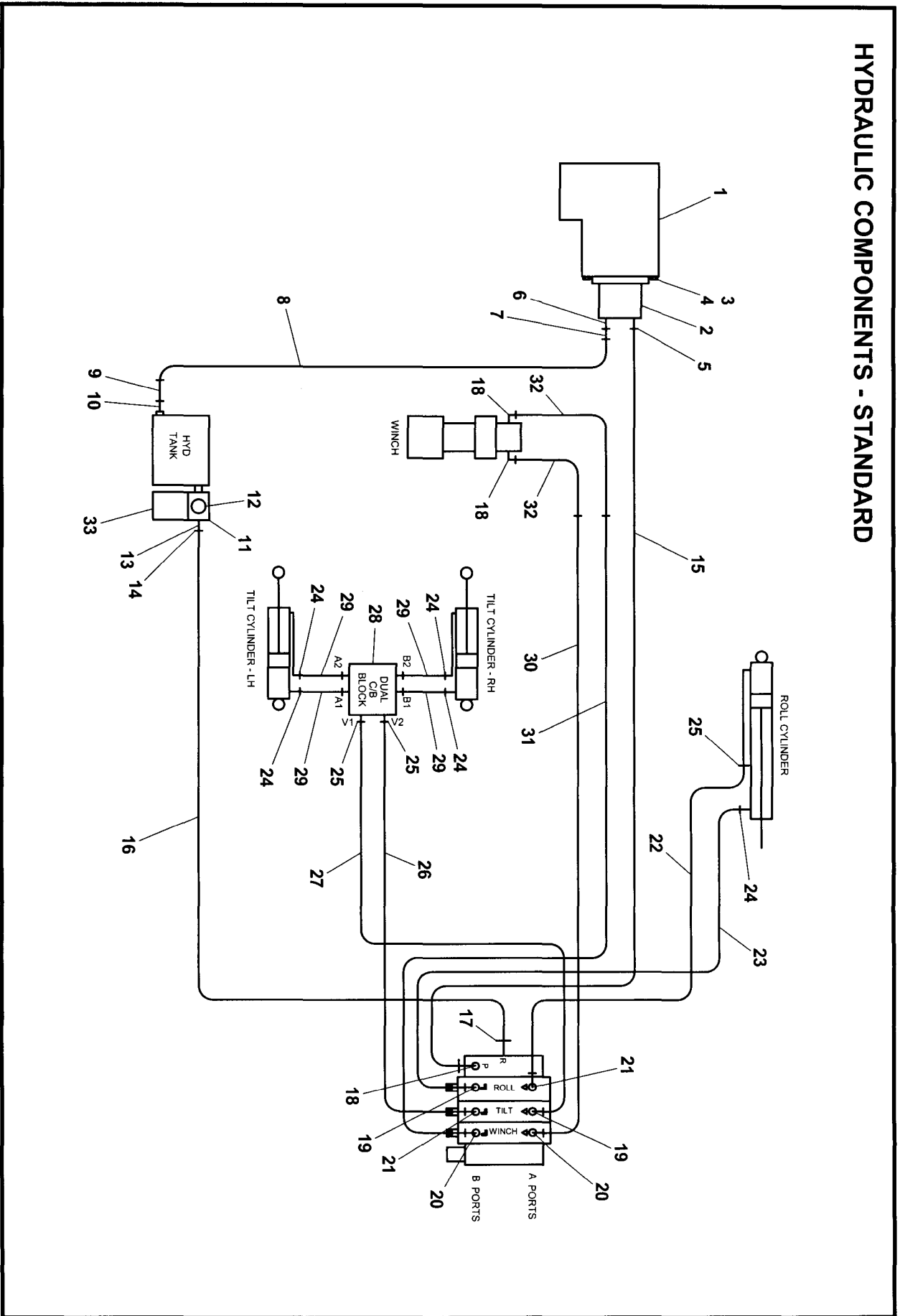
HYDRAULIC COMPONENTS - STANDARD

ITEM	PART NO.	DESCRIPTION	QTY	ITEM	PART NO.	DESCRIPTION	QTY
1	See Note 1	PTO	1	31	4569432111*	Hose Assembly	1
2	7724000021	Pump	1	32	4567430118	Hose Assembly (19' deck)	2
3	7115181050	Capscrew	2		4567430133	Hose Assembly (20' & 21' decks)	
4	7950180000	Lockwasher	2	33	7431000001^	Filter Element	1
5	7443000101	Adapter	1				
6	7445081643	Adapter	1				
7	7443000023	Elbow	1				
8	See Note 1	Supply Hose	1				
9	7443000013	Nipple	1				
10	7274000002	Clamp	2				
11	7430000003	Filter Assembly	1				
12	7470000002	Gauge	1				
13	7443000319	Fitting	1				
14	7274000047	Clamp	2				
15	See Note 1	Return Hose	1				
16	See Note 1	Pressure Hose Assembly	1				
17	7443000168	Adapter	1				
18	7445081045	Elbow	3				
19	7443000307	Check Valve	2				
20	7445080843	Adapter	2				
21	7445060843	Adapter	2				
22	4567123044*	Hose Assembly	1				
23	4567122032*	Hose Assembly	1				
24	7445060645	Elbow	5				
25	7445060643	Adapter	3				
26	4567122115*	Hose Assembly	1				
27	4567123115*	Hose Assembly	1				
28	7935000197	Dual Counter Balance Valve	1				
29	4570000195*	Hose Assembly (Out Board Tilt Cylinders)	4				
	4270000198*	Hose Assembly (In Board Tilt Cylinders)					
30	4569433111*	Hose Assembly	1				

* included in Hose Kit, P/N 4577000004 for Out Board Tilt Cylinders & P/N 4577000005 for In Board Tilt Cylinders
^ also available in Filter Assembly, P/N 7430000003

Note 1: Varies depending on chassis, transmission, PTO type & deck length. Consult factory for part numbers.

HYDRAULIC COMPONENTS - STANDARD

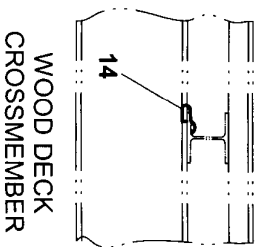
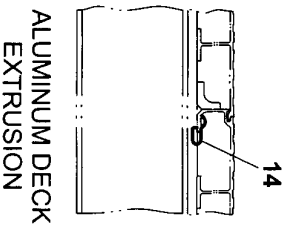
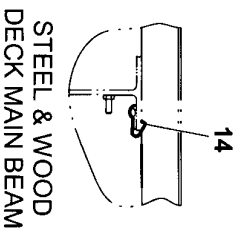
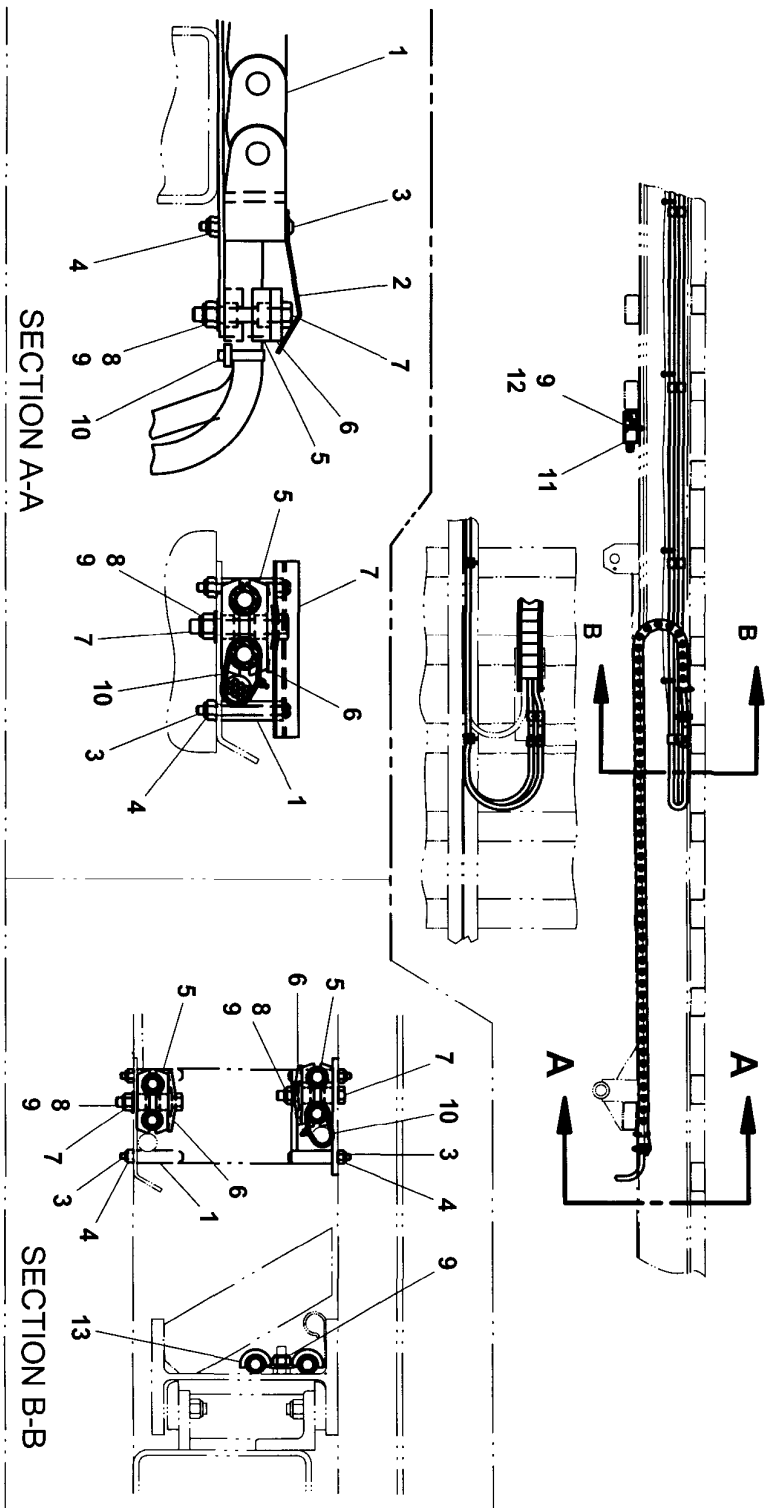


HYDRAULIC COMPONENTS - STANDARD (HOSE TRACK)

ITEM	PART NO.	DESCRIPTION	QTY
1	7904000002	Hose Track	1
2	4706003038	Plate	1
3	7114101618	Capscrew	4
4	7660102604	Locknut, #10-24NC	4
5	7274000038	Clamp	4
6	7274000039	Clamp Cover	2
7	7115151650	Capscrew, 0.31"-18NC x 2.00"	2
8	7950150161	Flatwasher, 0.31" ID	4
9	7660152601	Locknut, 0.31"-13NC (19' deck)	6
10	7660152601	Locknut, 0.31"-13NC (20' & 21' decks)	7
11	7894000004	Tie Strap	10
12	7935000197	Counterbalance Valve	1
13	7115151850	Capscrew, 0.31"-18NC x 2.25"	2
14	7274000066	Double Clamp (19' deck)	4
	7274000066	Double Clamp (20' & 21' decks)	5
	7280000013	Clip	*

* Quantity varies depending on deck length and deck type.

HYDRAULIC COMPONENTS - STANDARD (HOSE TRACK)

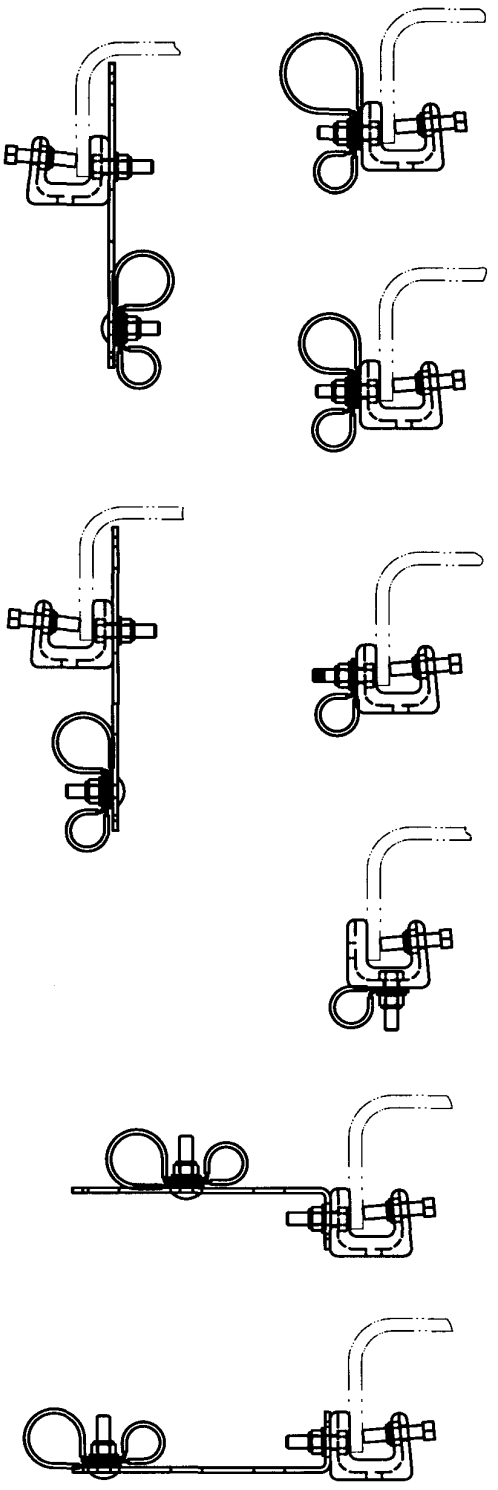
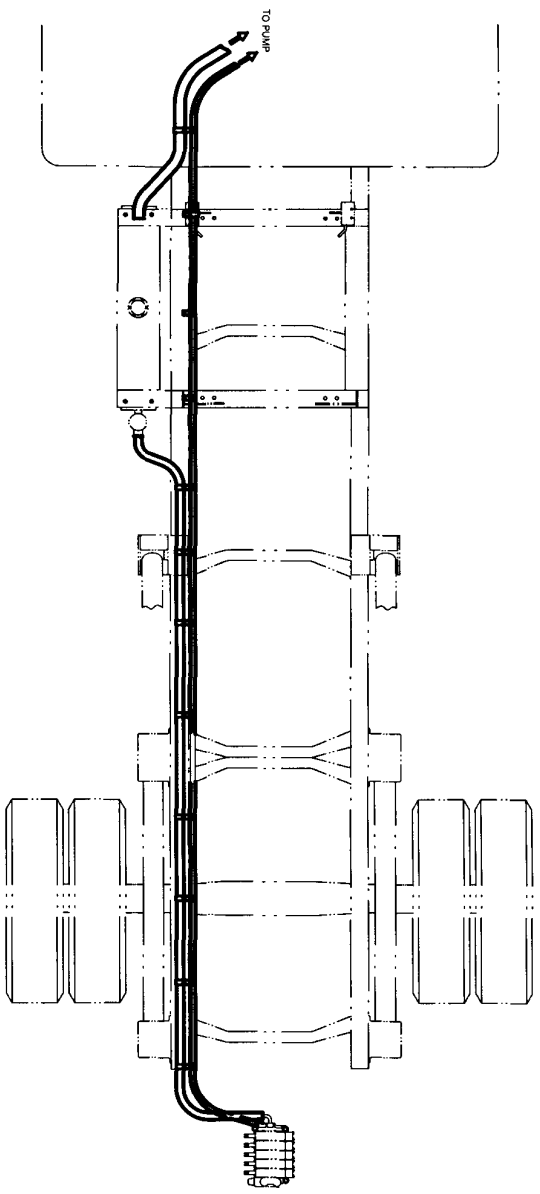


HYDRAULIC COMPONENTS - HOSE ROUTING / MOUNTING

ITEM	PART NO.	DESCRIPTION	QTY
1	7274000076	Cast Frame Clamp	*
2	7785152420	Set Screw, 0.31"-18NC x 1.50"	*
3	7660152601	Locknut, 0.31"-18NC	*
4	7115151050	Capscrew, 0.31"-18NC x 1.25"	*
5	7950150161	Flatwasher, 0.31" ID	*
6	7274000040	Clamp	*
7	7274000041	Clamp	*
8	7274000042	Clamp	*
9	4706003844	Plate	*
10	7115151064	Carriage Bolt, 0.31"-18NC x 1.25"	*

* Quantity varies depending on deck length and deck type

HYDRAULIC COMPONENTS - HOSE ROUTING / MOUNTING

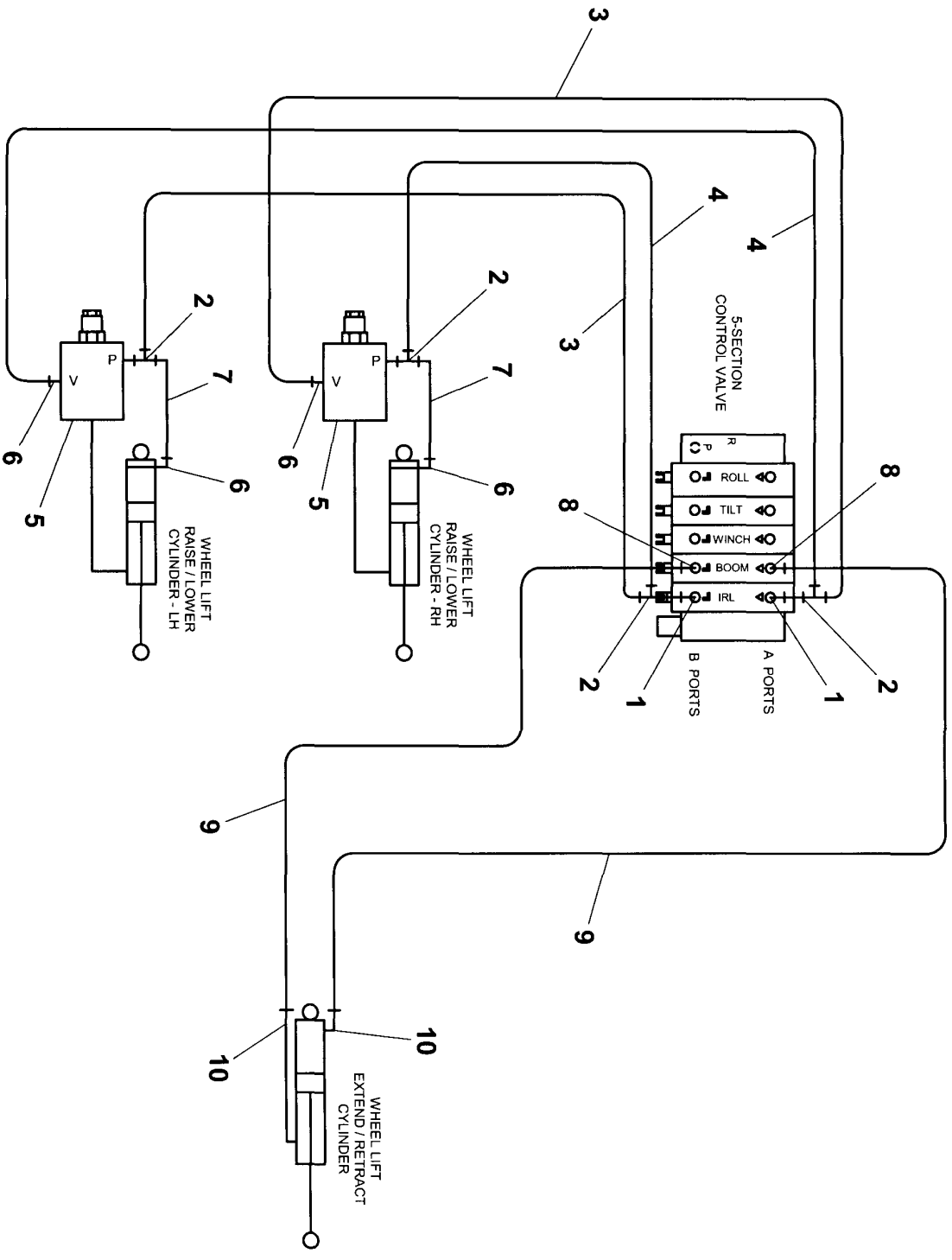


HYDRAULIC COMPONENTS - IRL WHEEL LIFT WITH MANUAL GRIDS

ITEM	PART NO.	DESCRIPTION	QTY
1	7443000129	Reducer	2
2	7445060648	Tee	4
3	4567123033*	Hose Assembly	2
4	4567122030*	Hose Assembly	2
5	7935000219	Counter Balance Valve	2
6	7445060645	Elbow	4
7	4567122014*	Hose Assembly	2
8	7443040643	Adapter	2
9	4567110032*	Hose Assembly	2
10	7445040446	Elbow	2

* also available in Hose Kit, P/N 4577000002

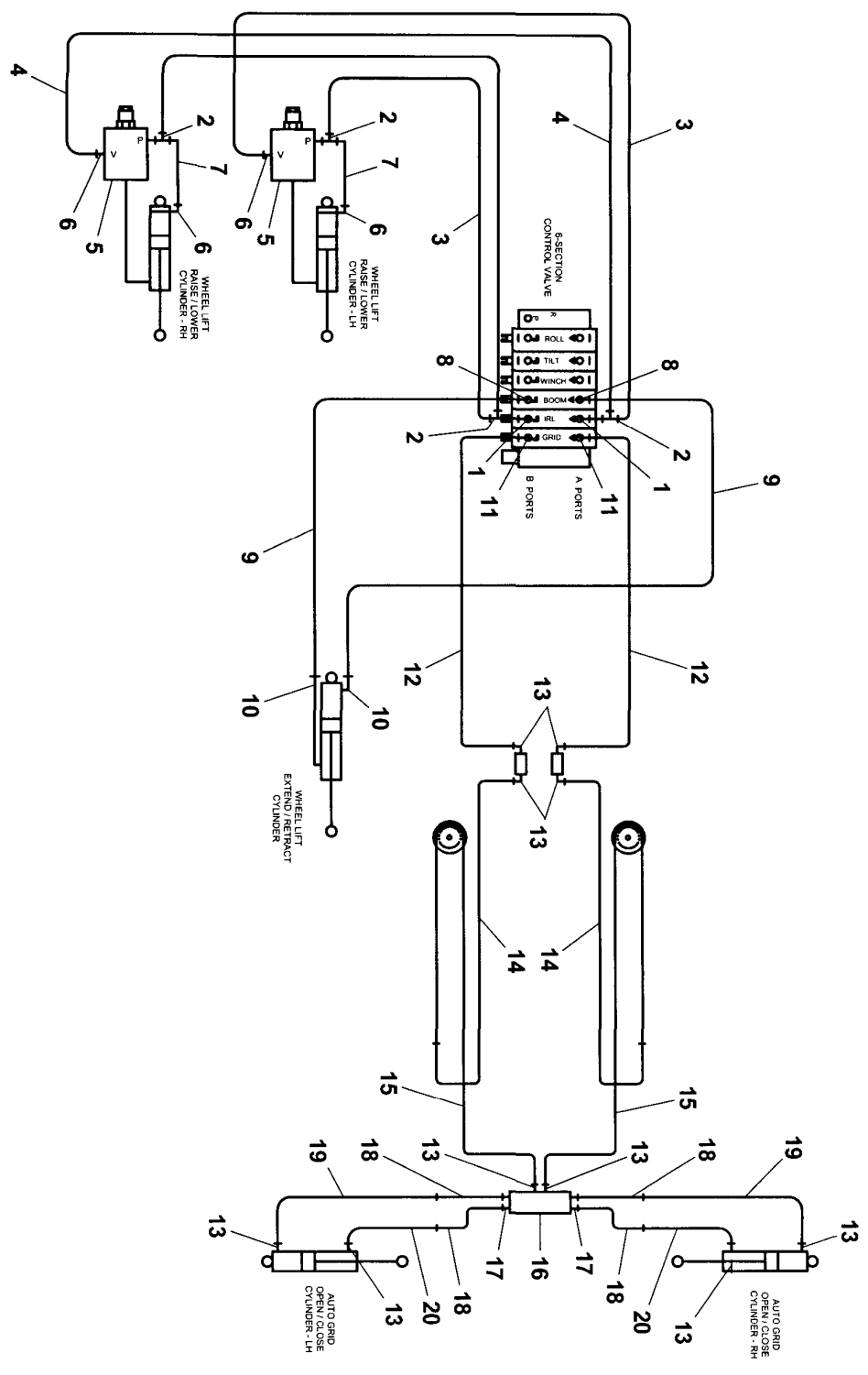
HYDRAULIC COMPONENTS - IRL WHEEL LIFT WITH MANUAL GRIDS



HYDRAULIC COMPONENTS - IRL WHEEL LIFT WITH AUTO GRIDS

ITEM	PART NO.	DESCRIPTION	QTY
1	7443000129	Reducer	2
2	7445060648	Tee	4
3	4567123033	Hose Assembly	2
4	4567122030	Hose Assembly	2
5	7935000219	Counter Balance Valve	2
6	7445060645	Elbow	4
7	4567122014	Hose Assembly (manual grids)	2
	4567122014	Hose Assembly (auto grid - low frame)	
	4567122012	Hose Assembly (auto grid - high frame)	
8	7443040643	Adapter	2
	4567110032	Hose Assembly (manual grids)	
9	4567110042	Hose Assembly (auto grid - low frame)	2
	4567110038	Hose Assembly (auto grid - high frame)	
10	7445040446	Elbow	2
11	7443040843	Adapter	2
12	4567110038	Hose Assembly (manual grids)	2
	4567110038	Hose Assembly (auto grid - low frame)	
	4567110034	Hose Assembly (auto grid - high frame)	
13	7445040445	Elbow	10
14	7912000237	Tube Assembly	2
15	4570000234	Hose Assembly	2
16	4619000013	Manifold	1
17	7445040443	Adapter	4
18	7912000184	Tube Assembly	4
19	4570000210	Hose Assembly	2
20	4570000211	Hose Assembly	2

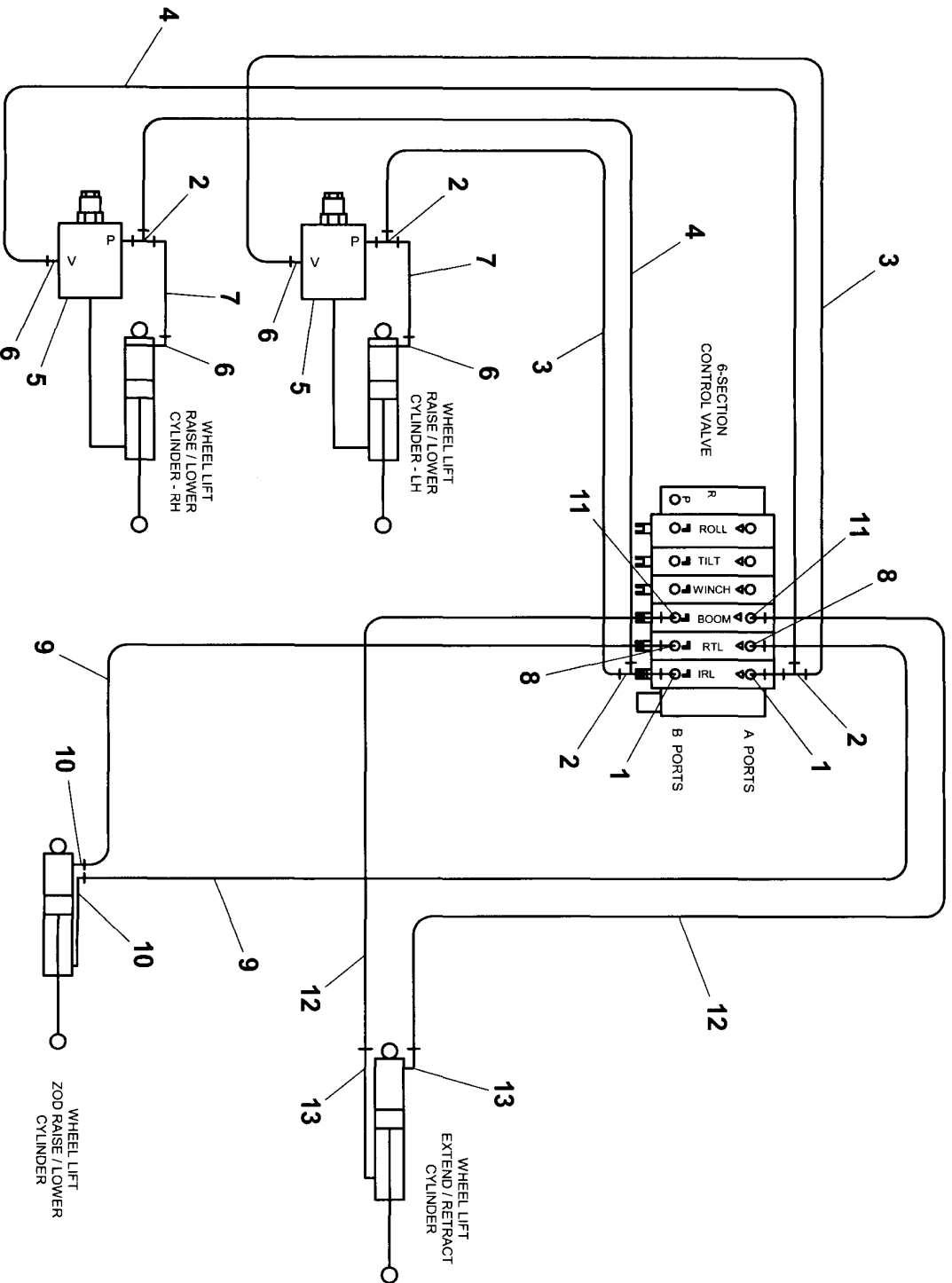
HYDRAULIC COMPONENTS - LB IRL WHEEL LIFT WITH AUTO GRIDS



HYDRAULIC COMPONENTS - ZOD WHEEL LIFT WITH MANUAL GRIDS

ITEM	PART NO.	DESCRIPTION	QTY
1	7443000129	Reducer	2
2	7445060648	Tee	4
3	4567123033	Hose Assembly	2
4	4567122030	Hose Assembly	2
5	7935000219	Counter Balance Valve	2
6	7445060645	Elbow	4
7	4567122014	Hose Assembly	2
8	7445060843	Adapter	2
9	4567120025	Hose Assembly	2
10	7445060643	Adapter	4
11	7443040643	Adapter	2
12	4567110034	Hose Assembly	2
13	7445040446	Elbow	2

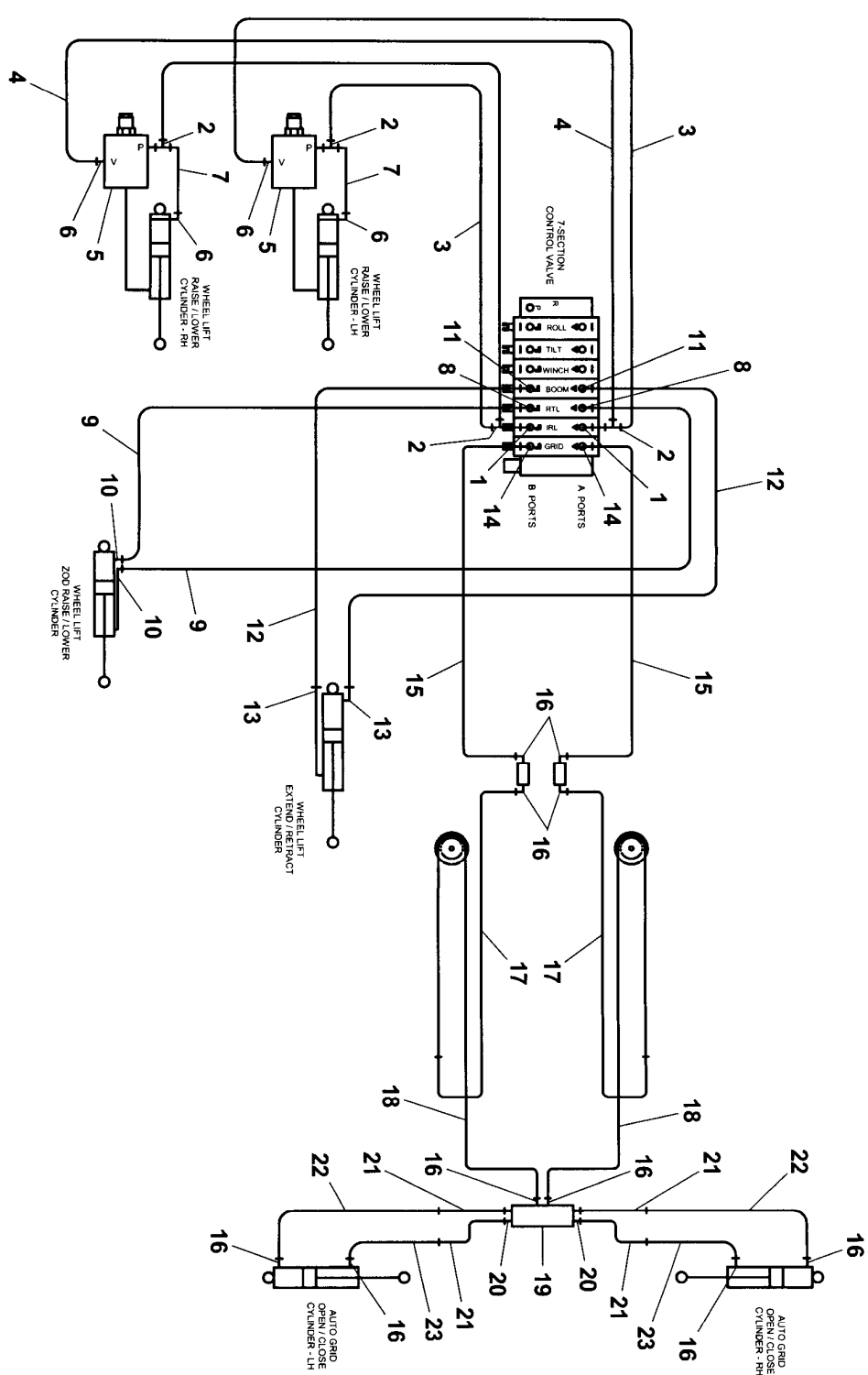
HYDRAULIC COMPONENTS - ZOD WHEEL LIFT WITH MANUAL GRIDS



HYDRAULIC COMPONENTS - ZOD WHEEL LIFT WITH AUTO GRIDS

ITEM	PART NO.	DESCRIPTION	QTY
1	7443000129	Reducer	2
2	7445060648	Tee	4
3	4567123033	Hose Assembly	2
4	4567122030	Hose Assembly	2
5	7935000219	Counter Balance Valve	2
6	7445060645	Elbow	4
7	4567122014	Hose Assembly (manual grids)	2
	4567122014	Hose Assembly (auto grid - low frame)	
	4567122012	Hose Assembly (auto grid - high frame)	
8	7445060843	Adapter	2
9	4567120025	Hose Assembly	2
10	7443060643	Adapter	2
11	7443040643	Adapter	2
12	4567110032	Hose Assembly (manual L-grids)	2
	4567110042	Hose Assembly (auto grid - low frame)	
	4567110038	Hose Assembly (auto grid - high frame)	
13	7445040446	Elbow	2
14	7443040843	Adapter	2
15	4567110038	Hose Assembly (manual grids)	2
	4567110038	Hose Assembly (auto grid - low frame)	
	4567110034	Hose Assembly (auto grid - high frame)	
16	7445040445	Elbow	10
17	7912000237	Tube Assembly	2
18	4570000234	Hose Assembly	2
19	4619000013	Manifold	1
20	7445040443	Adapter	4
21	7912000184	Tube Assembly	4
22	4570000210	Hose Assembly	2
23	4570000211	Hose Assembly	2

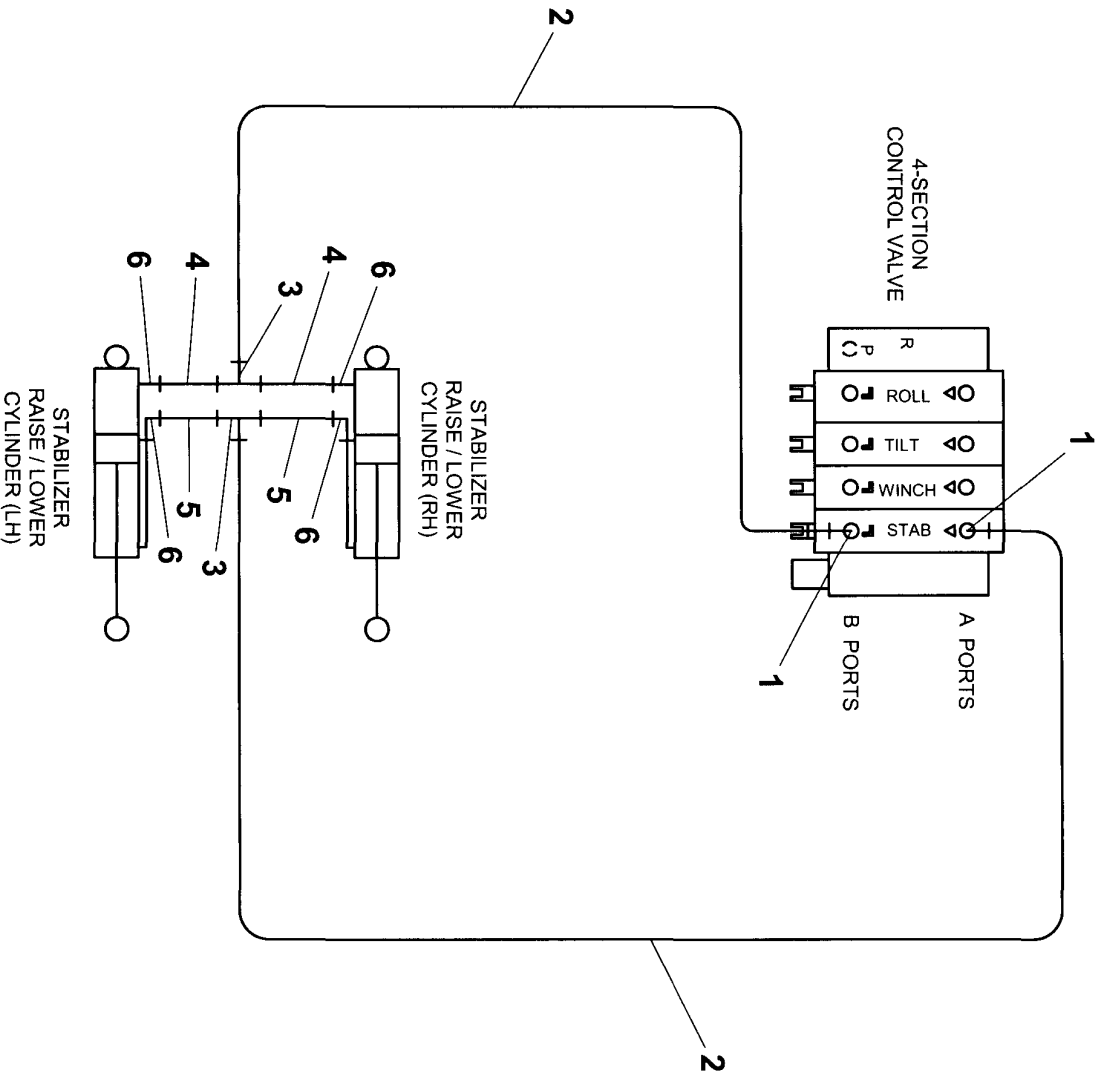
HYDRAULIC COMPONENTS - ZOD WHEEL LIFT WITH AUTO GRIDS



HYDRAULIC COMPONENTS - HYDRAULIC REAR DOCK STABILIZER

ITEM	PART NO.	DESCRIPTION	QTY
1	7445060843	Adapter	2
2	4567122017	Hose Assembly	2
3	7445060637	Tee	2
4	4567120016	Hose Assembly	2
5	4567120026	Hose Assembly	2
6	7445060645	Elbow	4

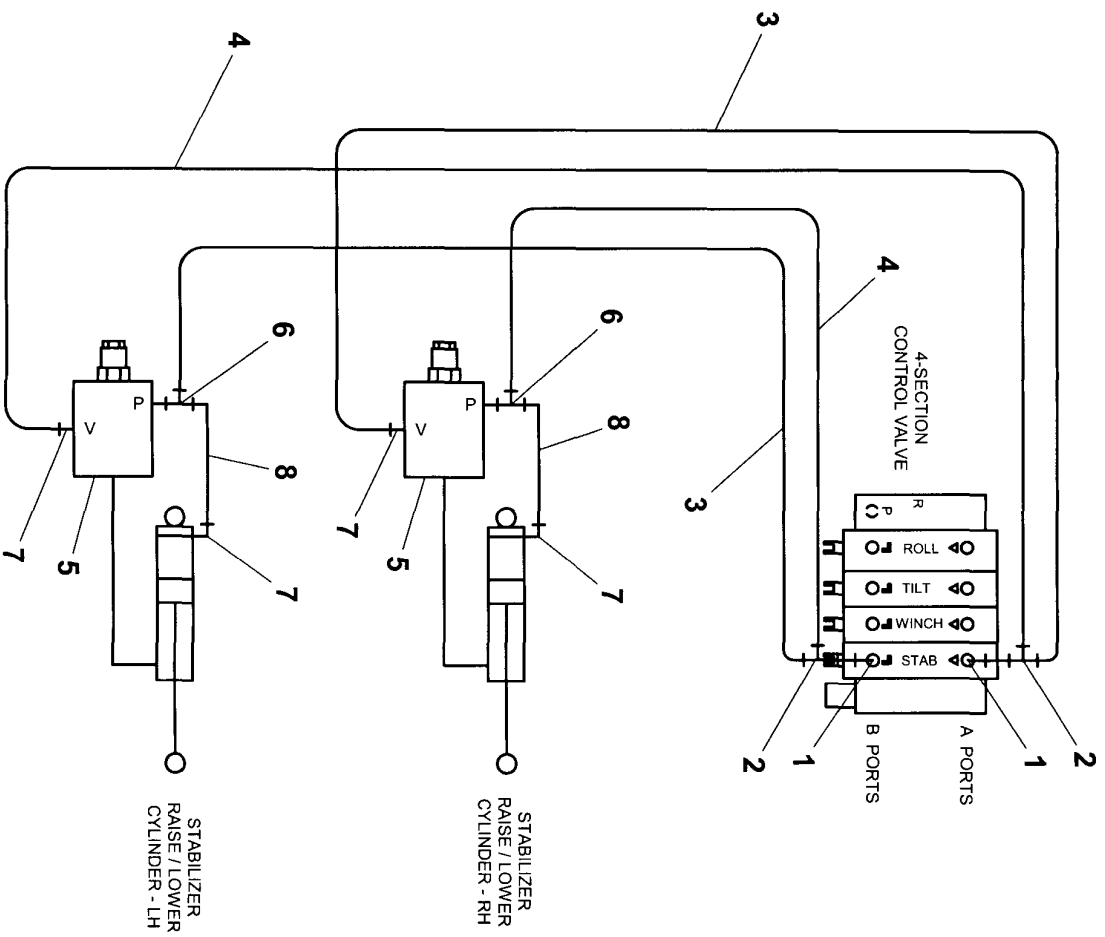
HYDRAULIC COMPONENTS - HYDRAULIC REAR DOCK STABILIZER



HYDRAULIC COMPONENTS - STABILIZER W/REESE HITCH RECEIVER OR MANUAL PINTLE PLATE

ITEM	PART NO.	DESCRIPTION	QTY
1	7445060845	Elbow	2
2	7443000030	Tee	2
3	4567122031	Hose Assembly	2
4	4567122050	Hose Assembly	2
5	7935000219	Counter Balance Valve	2
6	7445060648	Tee	2
7	7445060645	Elbow	4
8	4567122014	Hose Assembly	2

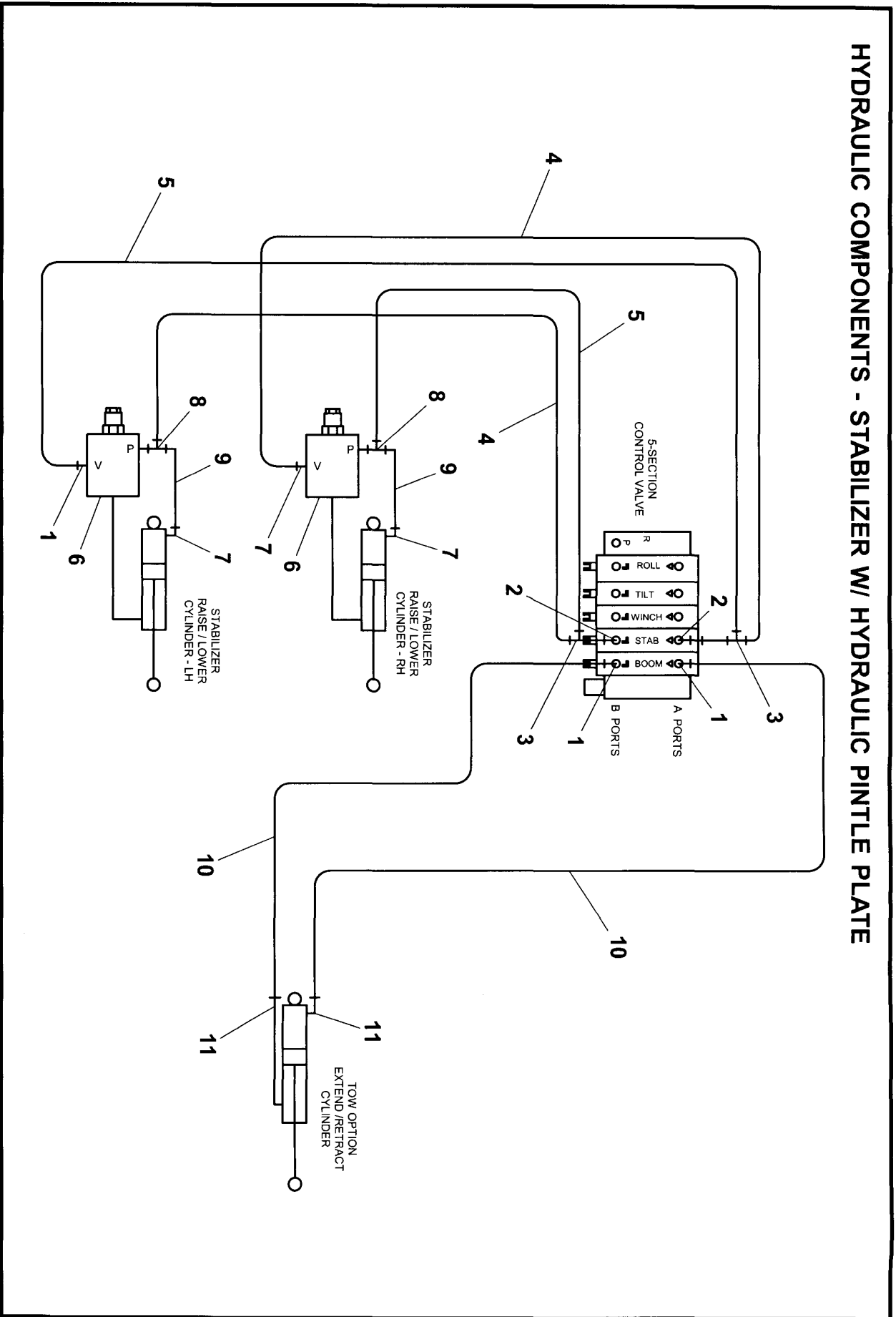
HYDRAULIC COMPONENTS - STABILIZER W/REESE HITCH RECEIVER OR MANUAL PINTLE PLATE



HYDRAULIC COMPONENTS - STABILIZER W/ HYDRAULIC PINTLE PLATE

ITEM	PART NO.	DESCRIPTION	QTY
1	7445060843	Adapter	2
2	7445060845	Elbow	2
3	7443000030	Tee	2
4	4567122031	Hose Assembly	2
5	4567122050	Hose Assembly	2
6	7935000219	Counter Balance Valve	2
7	7445060645	Elbow	4
8	7445060648	Tee	2
9	4567122014	Hose Assembly	2
10	4567120024	Hose Assembly	2
11	7445060643	Adapter	2

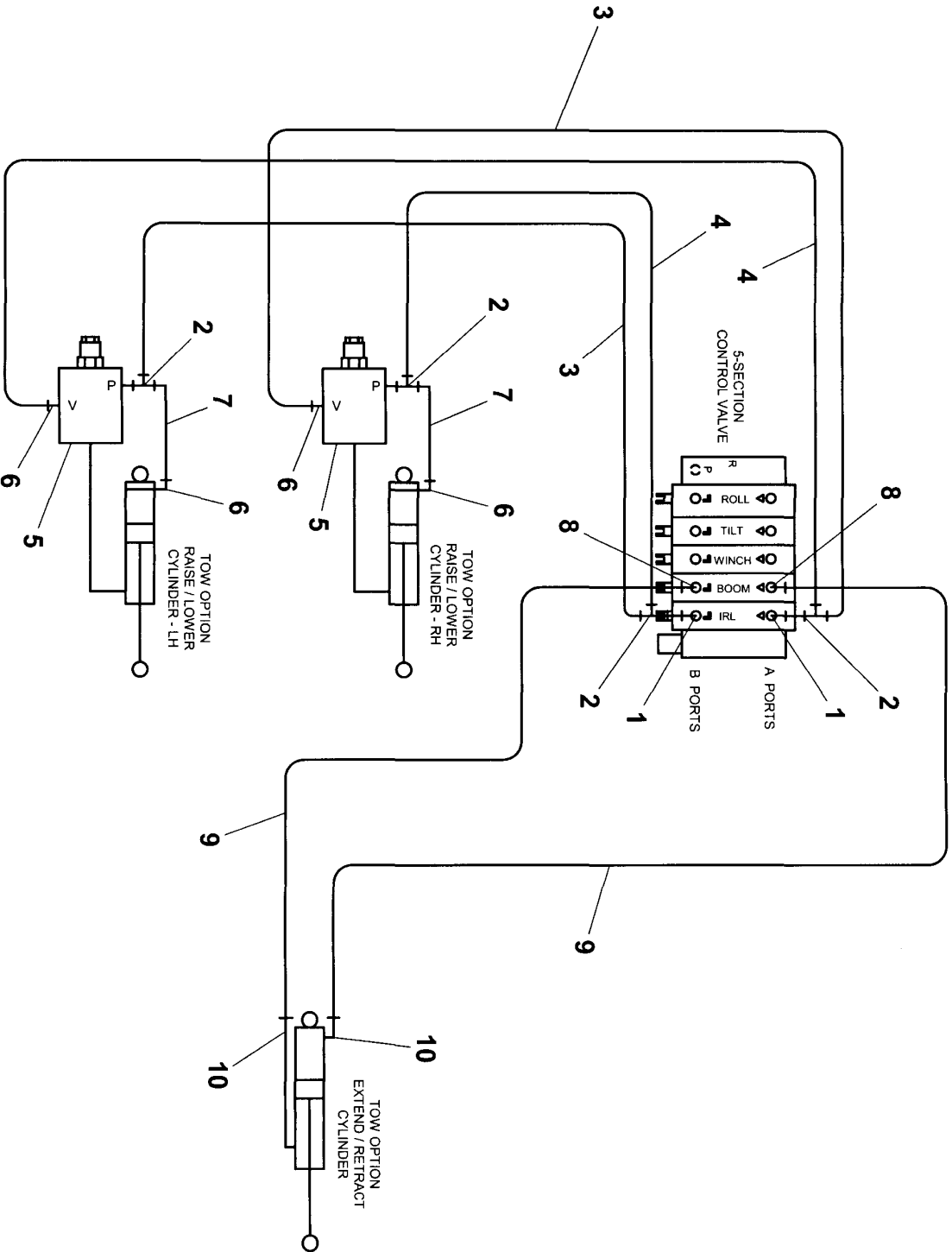
HYDRAULIC COMPONENTS - STABILIZER W/ HYDRAULIC PINTLE PLATE



HYDRAULIC COMPONENTS - IRL TOW OPTION

ITEM	PART NO.	DESCRIPTION	QTY
1	7443000129	Reducer	2
2	7445060648	Tee	4
3	4567123033	Hose Assembly	2
4	4567122030	Hose Assembly	2
5	7935000219	Counter Balance Valve	2
6	7445060645	Elbow	4
7	4567122014	Hose Assembly	2
8	7443040643	Adapter	2
9	4567112042	Hose Assembly	2
10	7445040645	Elbow	2

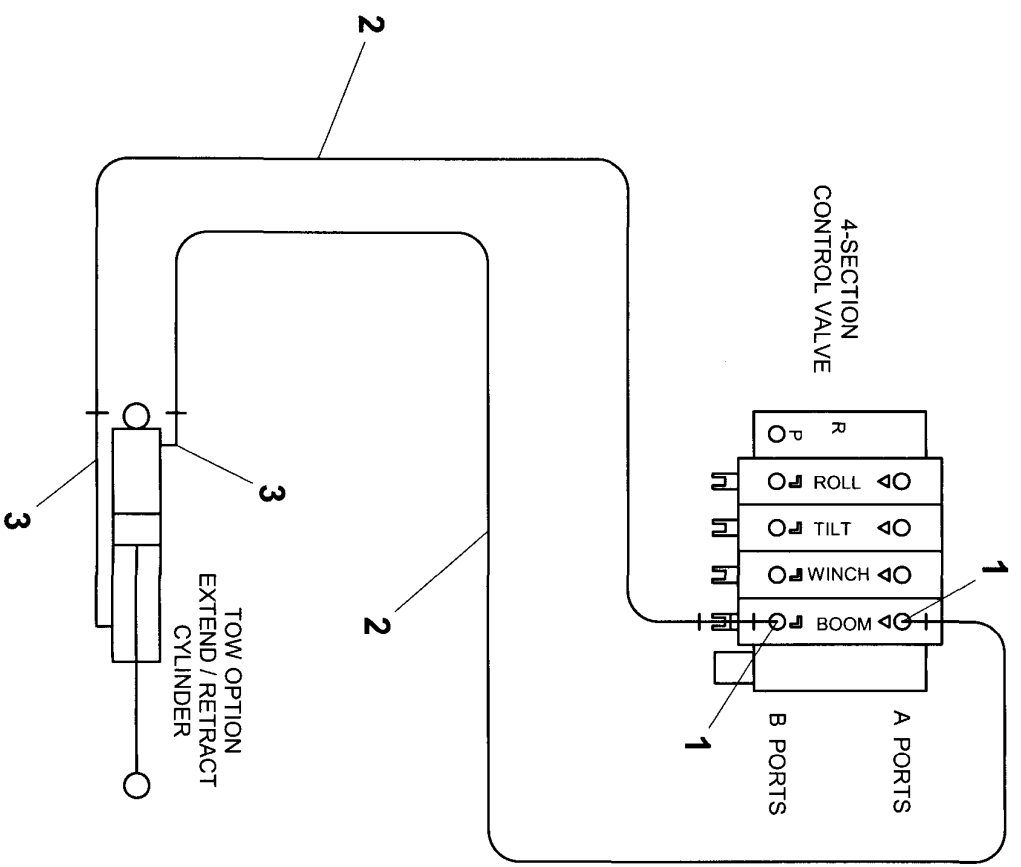
HYDRAULIC COMPONENTS - IRL TOW OPTION



HYDRAULIC COMPONENTS - HYDRAULIC EXTEND TOW OPTION

ITEM	PART NO.	DESCRIPTION	QTY
1	7443040643	Adapter	2
2	4567112042	Hose Assembly	2
3	7445040645	Elbow	2

HYDRAULIC COMPONENTS - HYDRAULIC EXTEND TOW OPTION

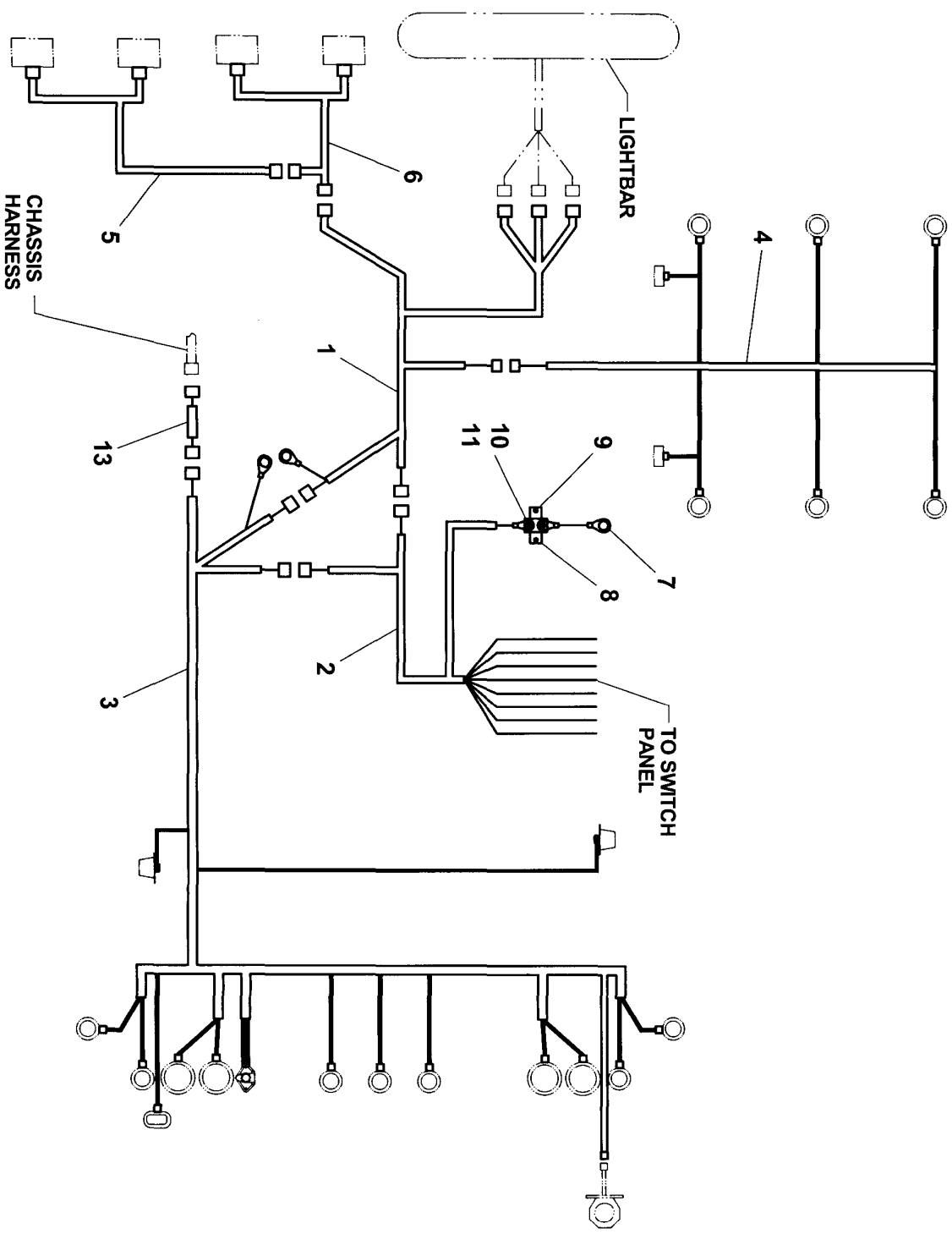


ELECTRICAL COMPONENTS - STANDARD W/ BOLT-ON HEADBOARD

ITEM	PART NO.	DESCRIPTION	QTY
1	7552000098	Subframe to Deck Harness	1
2	7552000074	Subframe to Cab Harness	1
3	7552000126	Subframe Harness	1
4	7552000177	Deck Harness	1
5	7552000166	Winch Lights Harness	1
6	7552000222	Worklights on Headboard Harness	1
7	7345241902	Terminal	1
8	7457000004	Circuit Breaker	1
9	7790100856	Screw, #10 x 0.50"	2
10	7345221902	Terminal	2
11	7950100151	Flatwasher, 0.19" ID	2
12	7280000013	Clip	*
13	3590000015	Wiring Connector Kit	1

* Quantity varies depending on deck construction.

ELECTRICAL COMPONENTS - STANDARD W/ BOLT-ON HEADBOARD

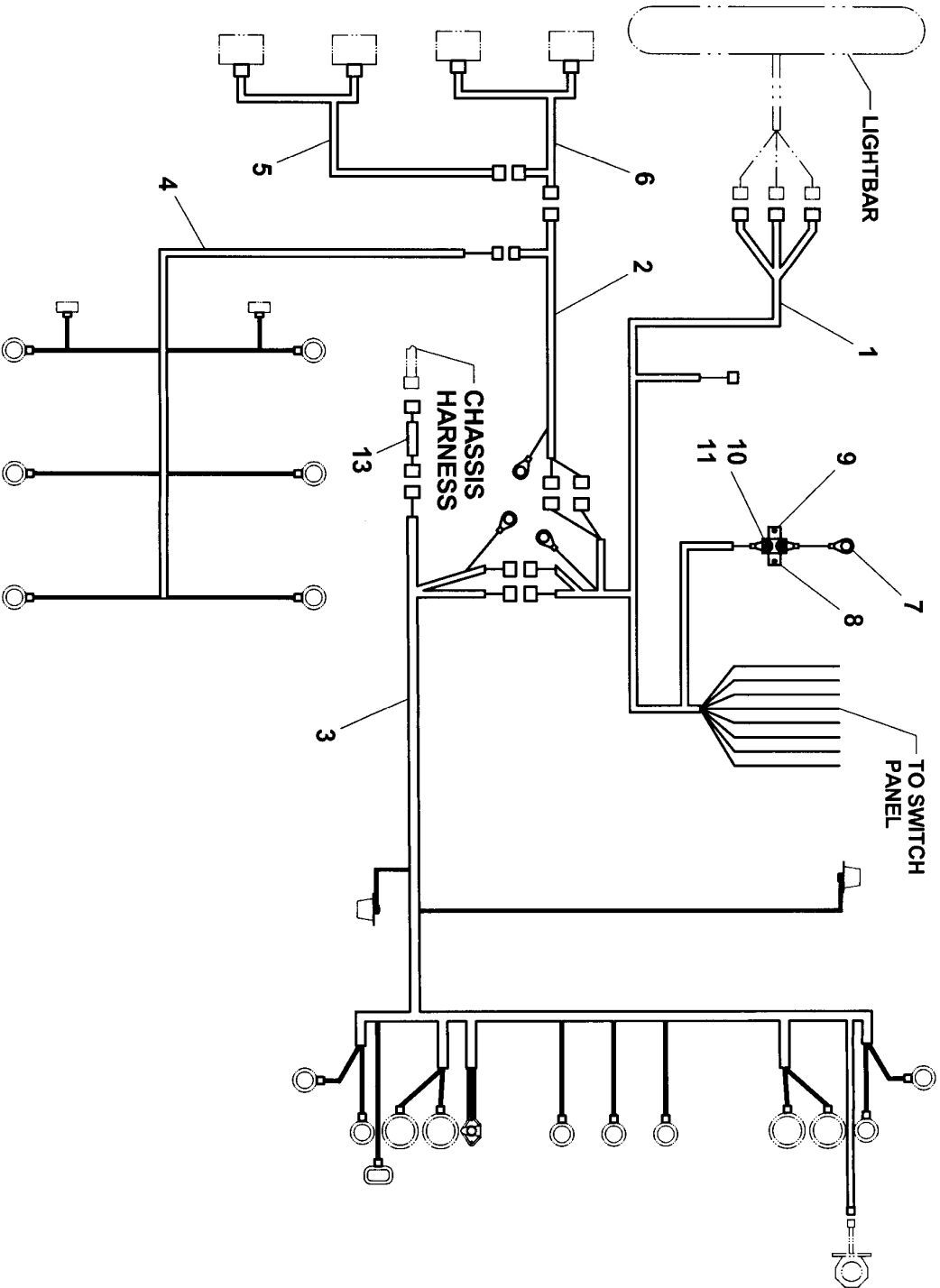


ELECTRICAL COMPONENTS - STANDARD W/ STATIONARY HEADBOARD

ITEM	PART NO.	DESCRIPTION	QTY
1	7552000204	Subframe to Cab Harness	1
2	7552000075	Subframe to Winch Harness	1
3	7552000126	Subframe Harness	1
4	7552000177	Deck Harness	1
5	7552000166	Winch Lights Harness	1
6	7552000222	Worklights on Headboard Harness	1
7	7345241902	Terminal	1
8	7457000004	Circuit Breaker	1
9	7790100856	Screw, #10 x 0.50"	2
10	7345221902	Terminal	2
11	7950100151	Flatwasher, 0.19" ID	2
12	7280000013	Clip	*
13	3590000015	Wiring Connector Kit	1

* Quantity varies depending on deck construction.

ELECTRICAL COMPONENTS - STANDARD W/ STATIONARY HEADBOARD

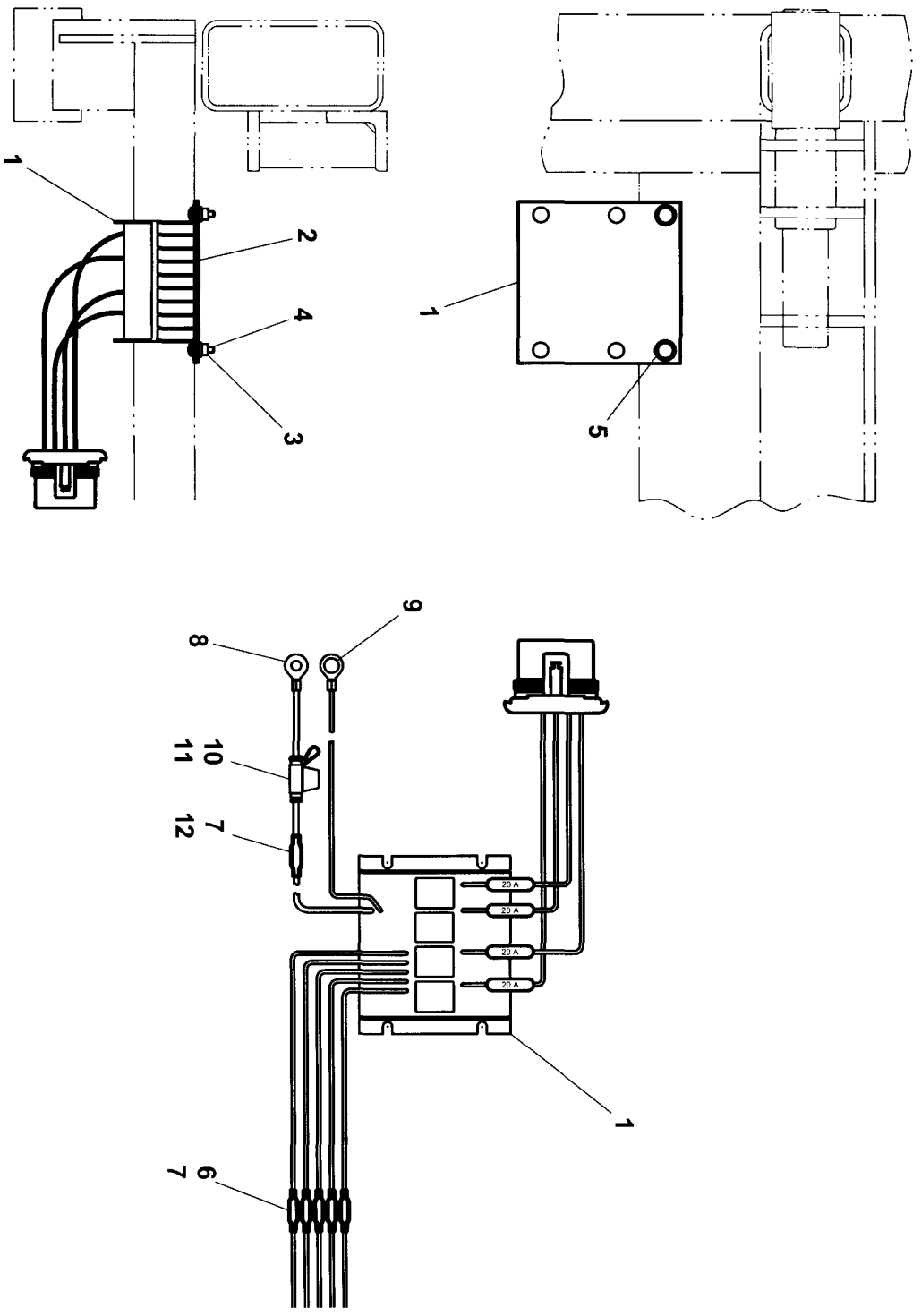


Item #12, Clip, not shown.

ELECTRICAL COMPONENTS - OPTIONAL (TAIL LIGHT CONVERTER)

ITEM	PART NO.	DESCRIPTION	QTY
1	7297000008	Taillight Converter	1
2	4706002990	Plate	1
3	7661000007	Wellnut	4
4	7104100613	Screw, #10-32NF x 0.75"	4
5	7790151253	Screw	2
6	7345001714	Terminal	5
7	4346000005	Heak Shrink Tubing - 1.50"	5
8	7345221902	Terminal	1
9	7345241902	Terminal	1
10	7346000126	Fuse Holder	1
11	7457000017	Fuse - 30 amp	1
12	7345001914	Terminal	1

ELECTRICAL COMPONENTS - OPTIONAL (TAIL LIGHT CONVERTER)

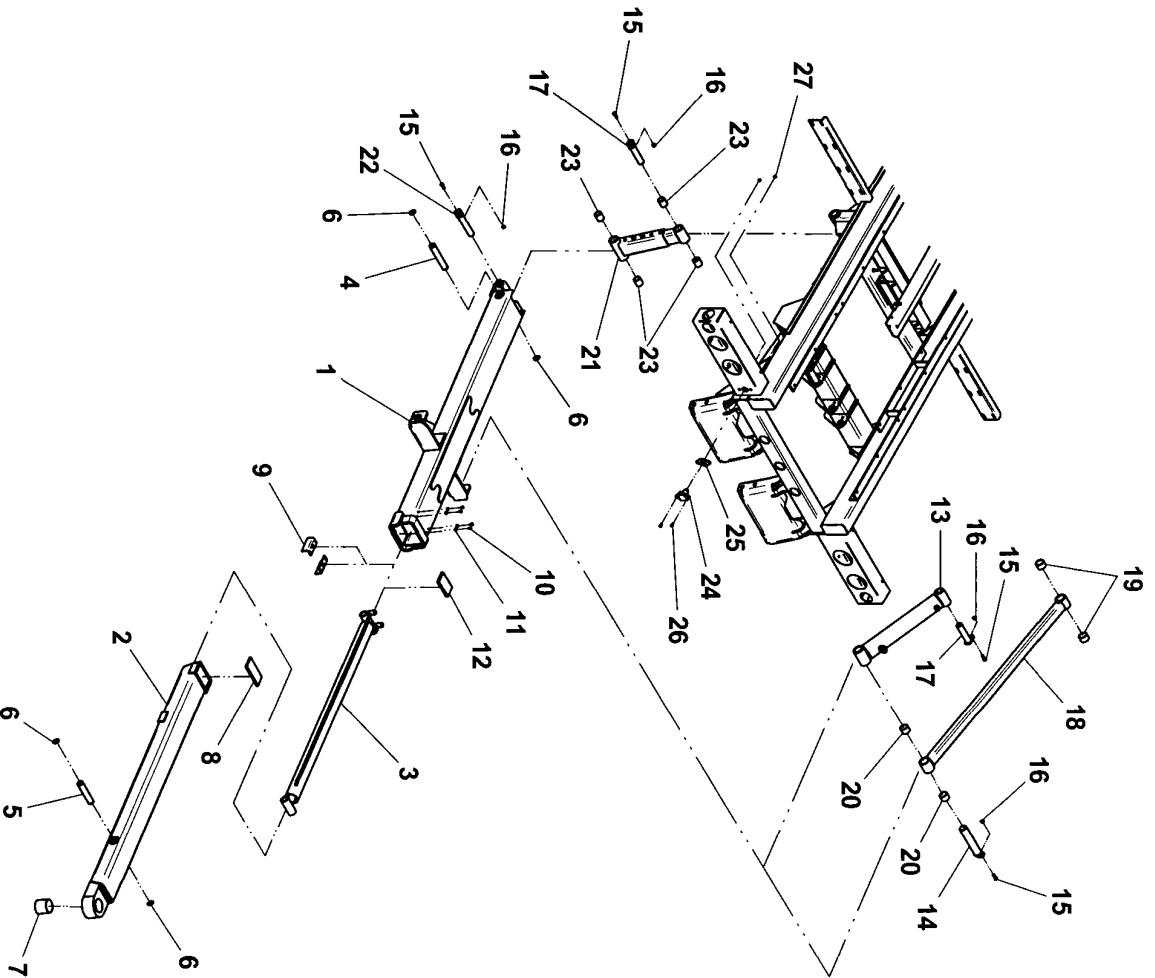


IRL WHEEL LIFT

ITEM	PART NO.	DESCRIPTION	QTY	ITEM	PART NO.	DESCRIPTION	QTY
1	3170000170	Outer Boom Weld (manual grids)	1	25	7796000048	Gasket	1
2	3170000332	Outer Boom Weld (auto grids)	1	26	7114140528	Screw	2
3	3320000115	Inner Boom Weld	1	27	7660142601	Locknut	2
4	3320000115	Cylinder Assembly	1				
5	4691000296	Pin	1				
6	4691000268	Pin	1				
7	7754000006	Retaining Ring	4				
8	7082000020*	Bushing	1				
9	4679000046	Wear Pad	1				
10	4017000739	Angle	2				
11	7118140418	Capscrew, 0.25"-20NC x 0.50"	4				
12	7950100151	Washer, 0.19" ID	4				
13	4679000211	Wear Pad	1				
14	3320000114	Cylinder Assembly (manual grids)	1				
15	3320000114	Cylinder Assembly (auto grids - low frame)	2				
16	3691000164	Cylinder Assembly (auto grids - high frame)	2				
17	7115160950	Pin Weld	6				
18	7660162601	Capscrew, 0.38"-16NC x 1.12"	6				
19	3691000073	Locknut, 0.38"-16NC	3				
20	3020000097	Pin Weld	3				
21	3020000097	Arm Weld (manual grids)	2				
22	3020000110	Arm Weld (auto grids - low frame)	2				
23	3020000097	Arm Weld (auto grids - high frame)	2				
24	302000017+	Bearing	2				
	7082000018+	Bearing	2				
	3592000036	Link Assembly (manual grids)	1				
	3592000054	Link Assembly (auto grids)	1				
	3691000069	Pin Weld (manual grids)	1				
	3691000092	Pin Weld (auto grids)	1				
	7082000016^	Bearing	4				
	7291000003	4-Way Receptacle	1				

* included in Inner-Boom Weld, P/N 3911000056
 + included in Arm Weld, P/Ns 3020000097 & 3020000110
 ^ included in Link Weld, P/Ns 3592000036 & 3592000092

IRL WHEEL LIFT



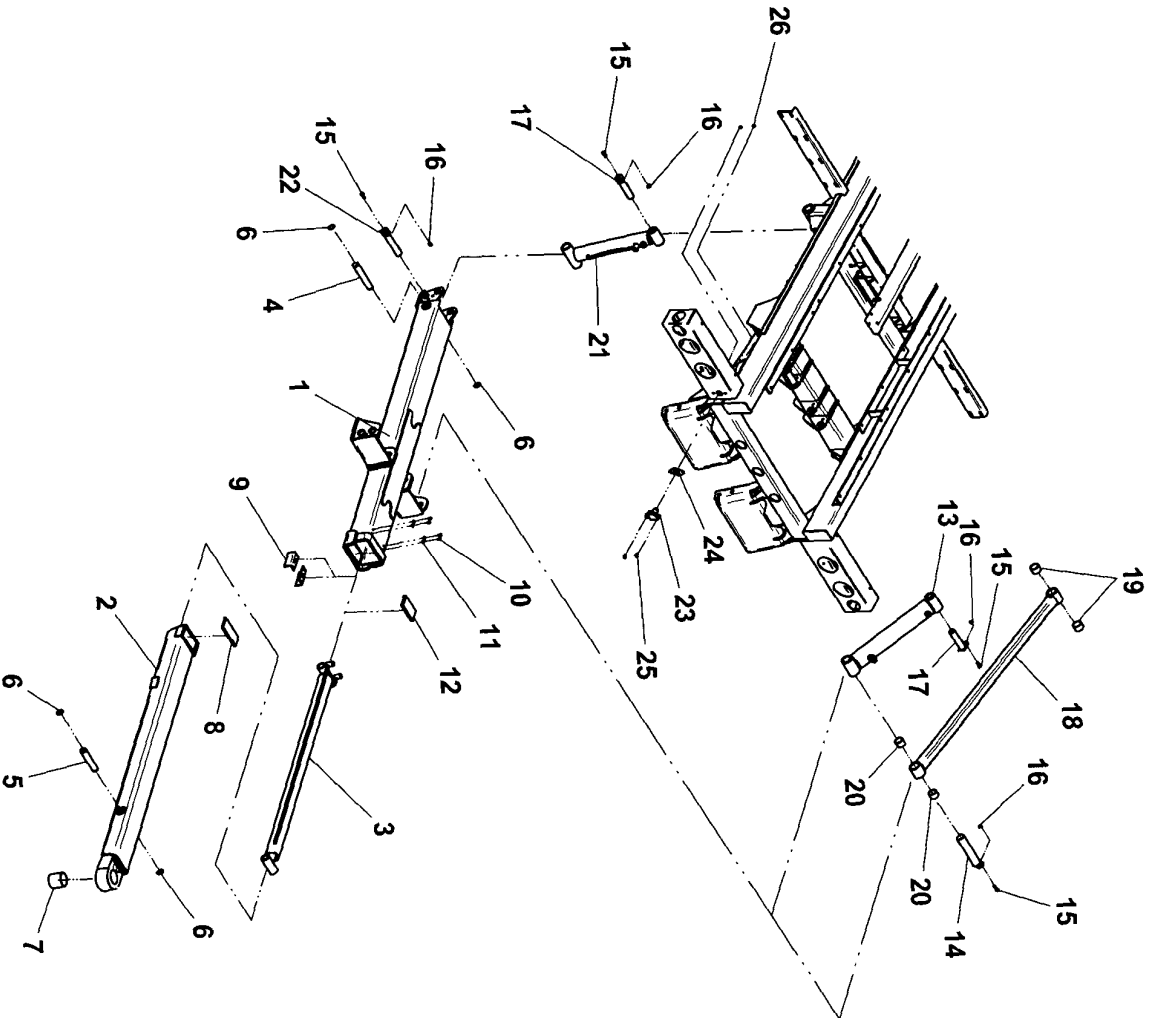
ZOD WHEEL LIFT

ITEM	PART NO.	DESCRIPTION	QTY	ITEM	PART NO.	DESCRIPTION	QTY
1	3170000237	Outer Boom Weld (manual grids)	1	24	7796000048	Gasket	1
2	3170000332	Outer Boom Weld (auto grids)		25	7114140528	Screw	2
3	3911000056	Inner Boom Weld	1	26	7660142601	Locknut	2
4	3320000115	Cylinder Assembly	1				
5	4691000296	Pin	1				
6	4691000268	Pin	1				
7	7754000006	Retaining Ring	4				
8	7082000020*	Bushing	1				
9	4679000046	Wear Pad	1				
10	4017000739	Wear Pad	1				
11	7118140418	Angle	2				
12	7118140418	Angle	4				
13	7950100151	Washer, 0.19" ID	4				
14	4679000211	Washer, 0.19" ID	4				
15	3320000114	Wear Pad	1				
16	3320000134	Cylinder Assembly (manual grids)	2				
17	3320000114	Cylinder Assembly (auto grids - low frame)	2				
18	3320000114	Cylinder Assembly (auto grids - high frame)	2				
19	3691000164	Pin Weld	6				
20	7115160950	Pin Weld	6				
21	7660162601	Locknut, 0.38"-16NC	6				
22	3691000073	Pin Weld	3				
23	3020000097	Arm Weld (manual grids)	2				
24	3020000110	Arm Weld (manual grids)	2				
25	3020000110	Arm Weld (auto grids - low frame)	2				
26	3020000097	Arm Weld (auto grids - high frame)	2				
27	7082000017+	Bearing	2				
28	7082000018+	Bearing	2				
29	3320000118	Cylinder Assembly (manual grids)	1				
30	3320000135	Cylinder Assembly (auto grids - low frame)	1				
31	3320000157	Cylinder Assembly (auto grids - high frame)	1				
32	3691000069	Pin Weld (manual grids)	1				
33	3691000092	Pin Weld (auto grids)	1				
34	7291000003	4-Way Receptacle	1				

* included in Inner Boom Weld, P/N 3911000056

+ included in Arm Welds, P/Ns 3020000097 & 3020000110

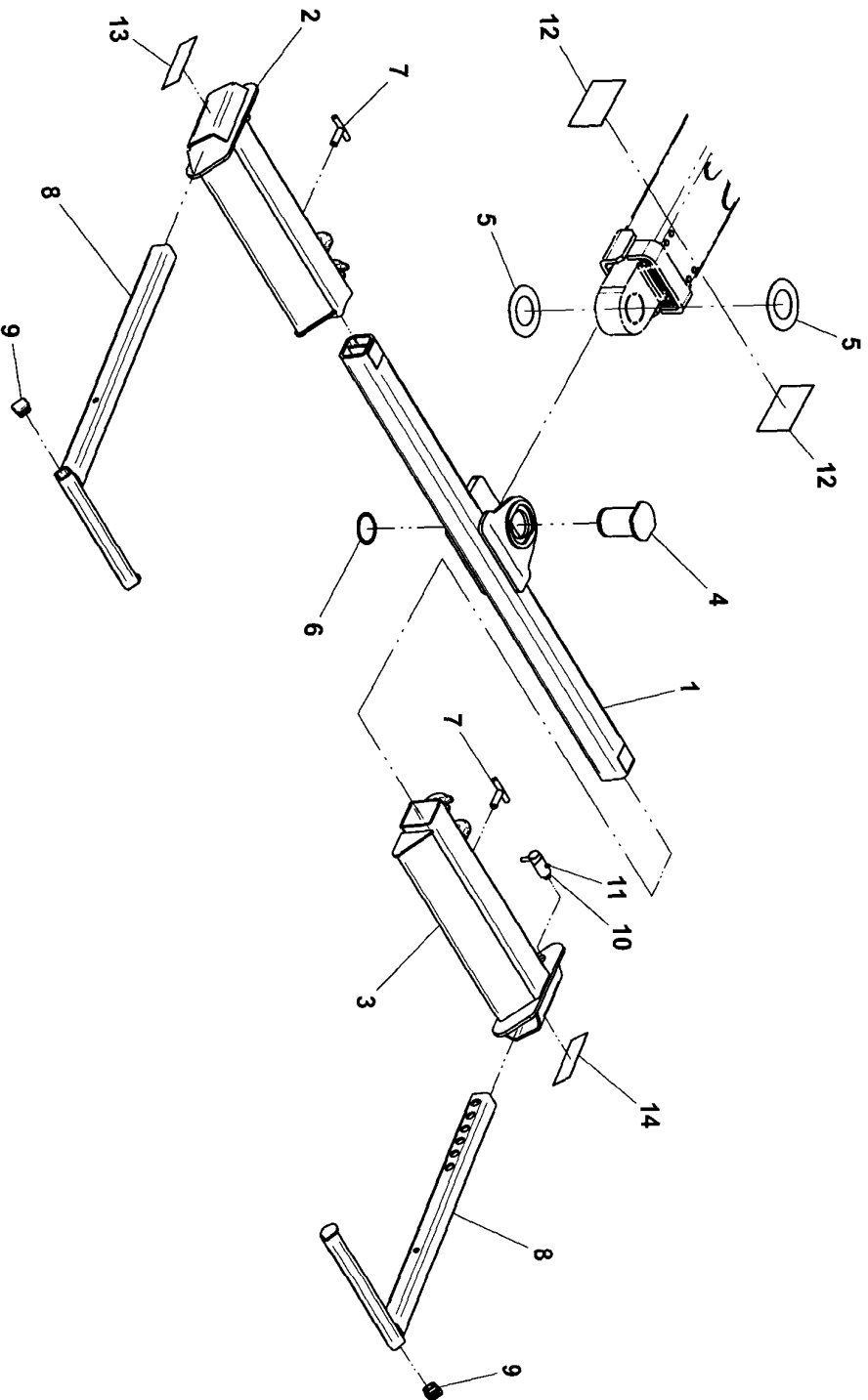
ZOD WHEEL LIFT



MANUAL L-ARM WHEEL LIFT GRID

ITEM	PART NO.	DESCRIPTION	QTY
1	3913000057	Pivot Tube Weld (IRL wheel lift)	1
	3913000056	Pivot Tube Weld (ZOD wheel lift)	
2	3484000035	Grid Weld - LH	1
3	3484000034	Grid Weld - RH	1
4	4691000447	Pivot Pin	1
5	4949000047	Washer	2
6	7754000024	Retaining Ring	1
7	3551000036	T-Handle	2
8	3020000072	L-Arm Weld	2
9	7701000062	Plug	2
10	3551000011	Cam Lock Assembly	2
11	7440030000	Grease Fitting	2
12	7330000419	Reflective Tape	2
13	7330000417	Reflective Tape - LH	1
14	7330000418	Reflective Tape - RH	1

MANUAL L-ARM WHEEL LIFT GRID

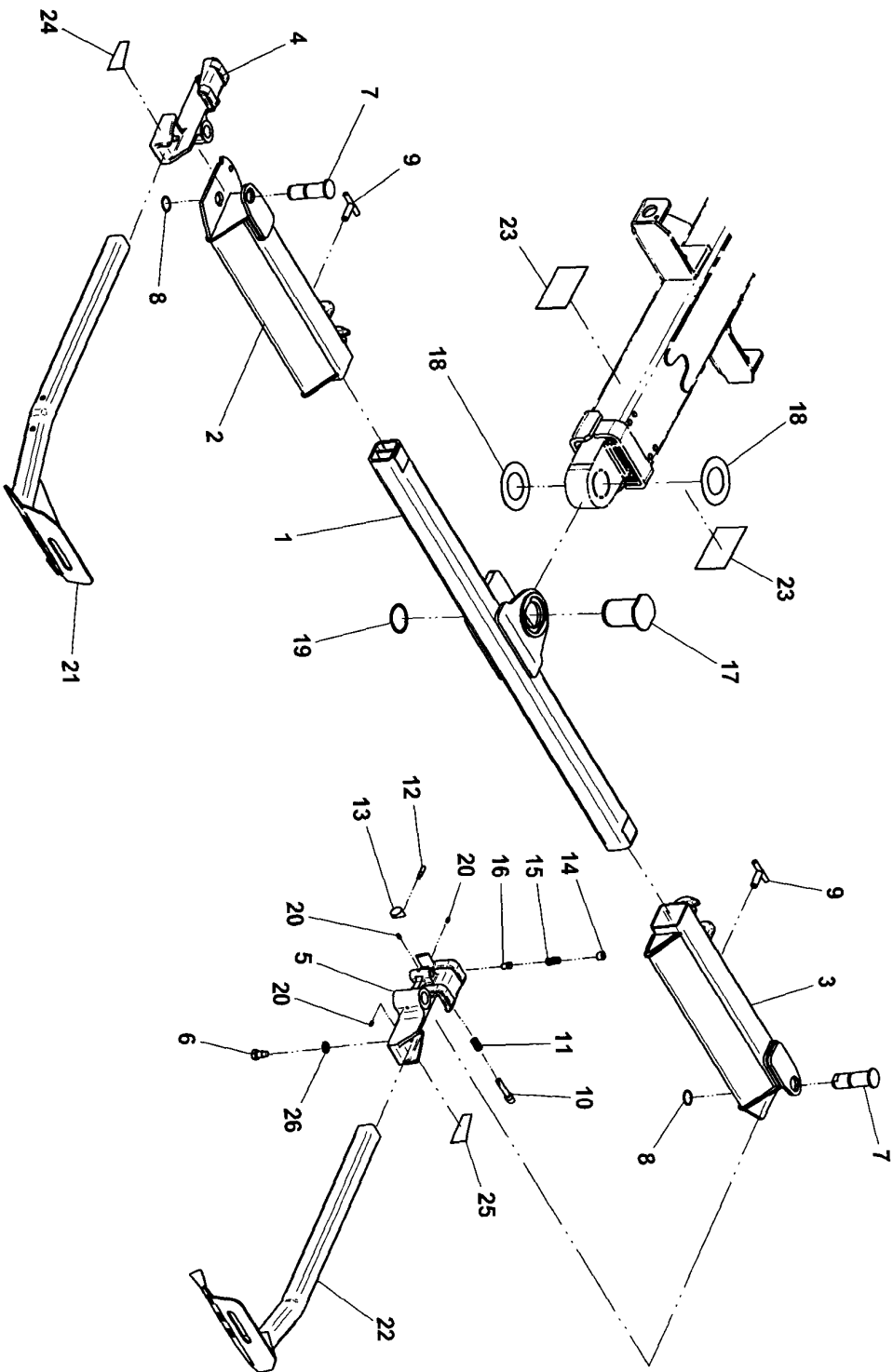


MANUAL T37 PIVOTING WHEEL LIFT GRID

ITEM	PART NO.	DESCRIPTION	QTY
1	3913000057	Pivot Tube Weld (IRL wheel lift)	1
	3913000056	Pivot Tube Weld (ZOD wheel lift)	
2	3484000051*	Grid Weld - LH	1
3	3484000050+	Grid Weld - RH	1
4	4259000002*	Pivot Casting, LH	1
5	4259000001+	Pivot Casting, RH	1
6	4691000354*+	Pin	2
7	4691000357*+	Pin	2
8	7754000037*+	Retaining Ring	2
9	3551000036	T-Handle	2
10	4691000186*+	Pin	2
11	7843000006*+	Spring	2
12	4763000184*+	Rod	2
13	4254000005*+	Cap	2
14	7786000006*+	Screw	2
15	7843000016*+	Spring	2
16	4691000183*+	Pin	2
17	4691000447	Pivot Pin	1
18	4949000047	Washer	2
19	7754000024	Retaining Ring	1
20	7440030000	Grease Fitting	1
21	3020000029	L-Arm Weld - LH	6
22	3020000030	L-Arm Weld - RH	1
23	7330000419	Reflective Tape	1
24	7330000420	Reflective Tape	2
25	7330000432	Reflective Tape	1
26	7950200000	Lockwasher, 0.63" ID	1
			2

* also available in Grid Assembly, LH, P/N 3484000053
 + also available in Grid Assembly, RH, P/N 3484000052

MANUAL T37 PIVOTING WHEEL LIFT GRID

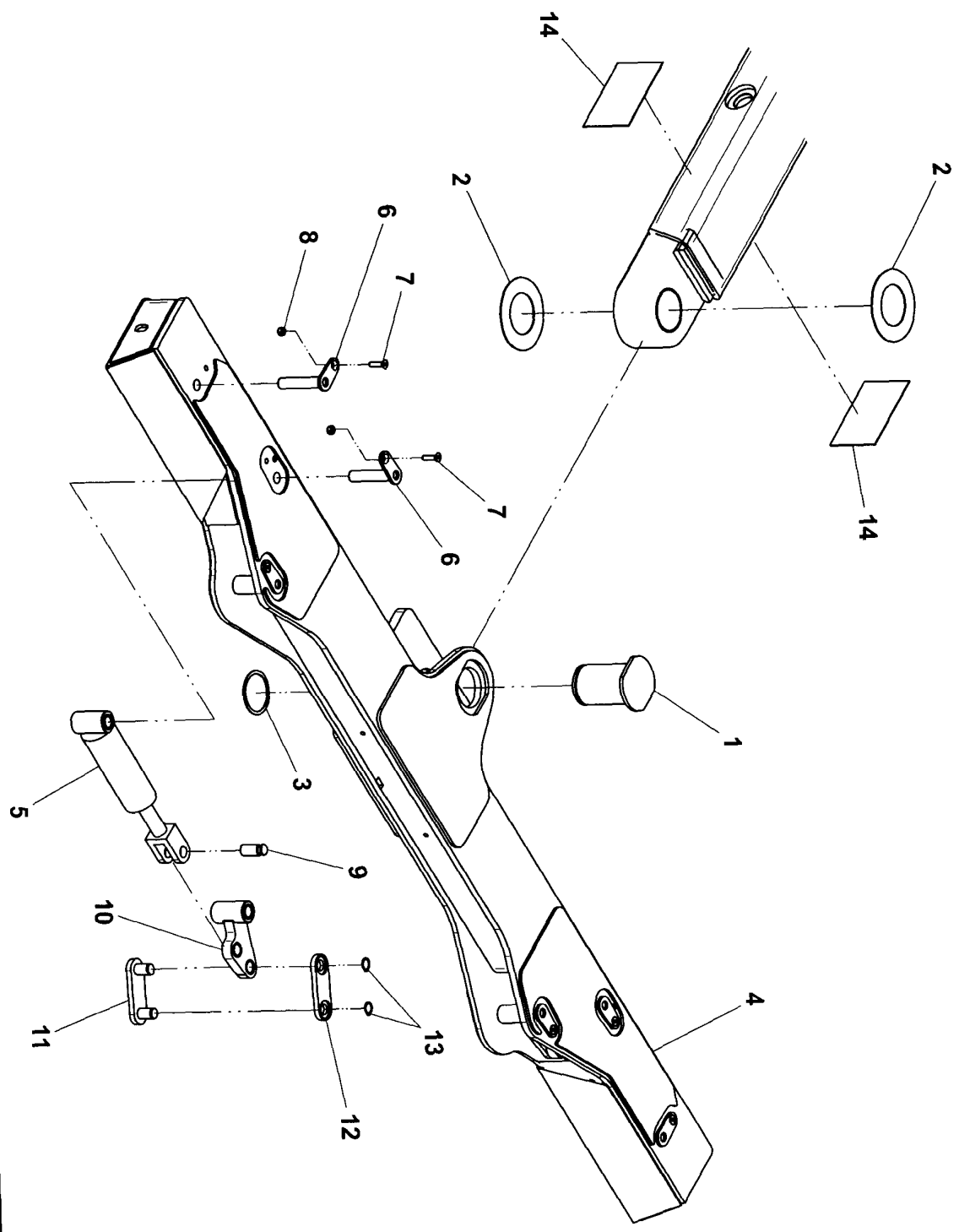


AUTO WHEEL LIFT GRID

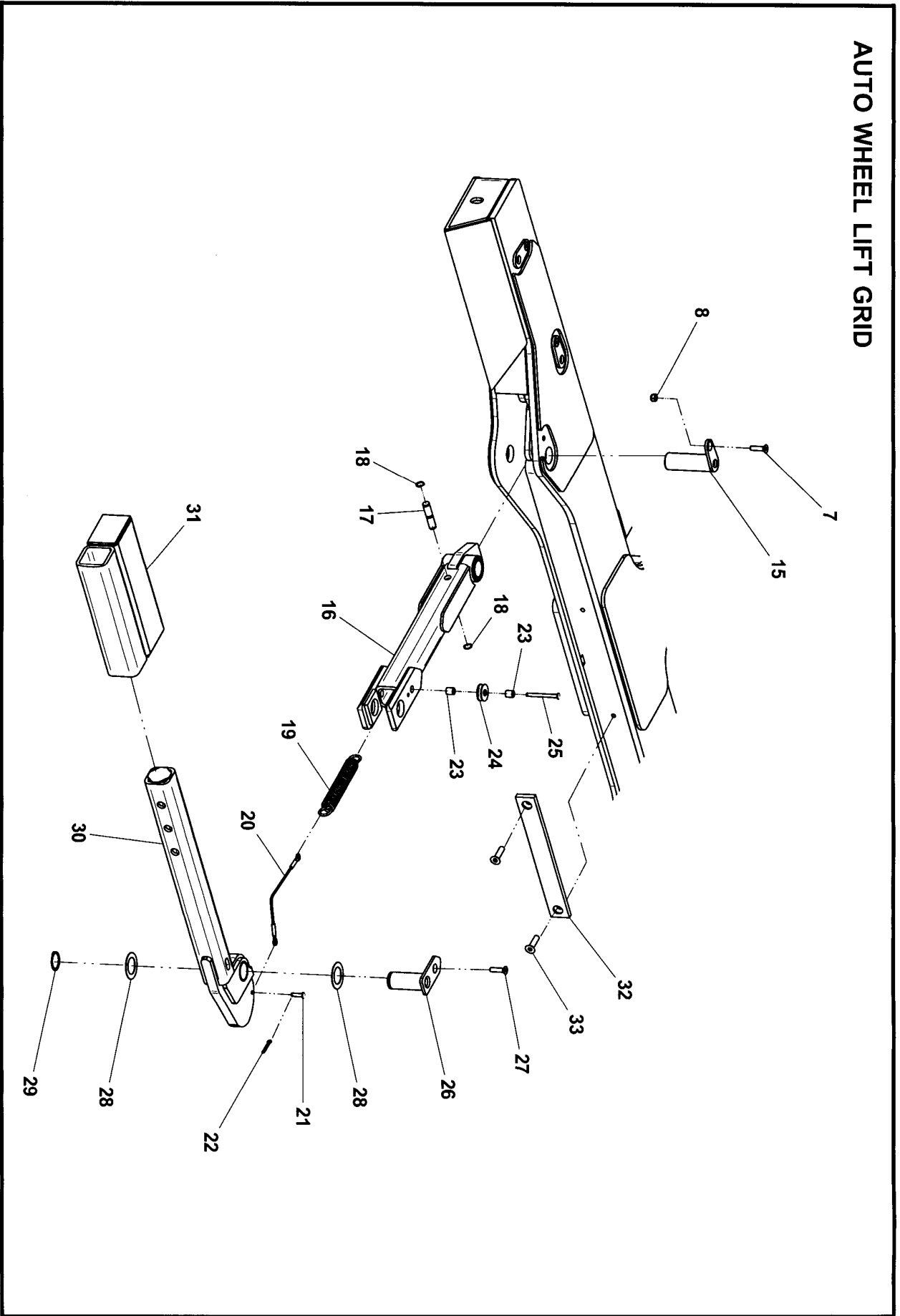
ITEM	PART NO.	DESCRIPTION	QTY	ITEM	PART NO.	DESCRIPTION	QTY
1	4691000482	Pivot Pin	1	32	4679000268	Pad	1
2	4949000047	Washer	2	33	7118161026	Cap screw, 0.38"-16NC x 1.25"	2
3	7754000024	Retaining Ring	1	34	4314000076*	Coverplate	2
4	3484000074*	Grid Crossbar Weld	1	35	7115140518*	Cap screw, 0.25"-20NC x 0.62"	4
5	7320000064*	Cylinder Assembly	2	36	7785140400*	Set Screw	2
6	3691000229*	Pin Weld	4	37	4619000013*	Manifold	1
7	7115151023*	Cap screw, 0.31"-18NC x 1.25"	6	38	7445040443*	Adaptor	4
8	7660152601*	Locknut, 0.31"-18NC	6	39	7912000184*	Tube Assembly	4
9	4691000497*	Pin	2	40	7274000086*	Clamp	4
10	3592000052*	Link Weld	2	41	7274000039*	Cover	2
11	3592000051*	Link Weld	2	42	7115151250*	Cap screw, 0.31"-18NC x 1.50"	2
12	4706003497*	Plate	2	40	4314000117	Cover Plate, LH	1
13	7754000022*	Retaining Ring	4	41	4314000118	Cover Plate, RH	1
14	7330000419	Reflective Tape	2	42	7790151253	Screw, 0.31"-18NC x 0.75"	8
15	3691000230	Pin Weld	2	43	7732000002	Spring Reel	2
16	3020000115*	Arm Weld, LH	1	44	4831000109	Spacer	2
17	3020000111*	Arm Weld, RH	1	45	7719000004	Roller	2
17	4691000527	Pin	2	46	4706003501	Plate	2
18	7754000087	Retaining Ring	4	47	7691000040	Clevis Pin	2
19	7843000043	Extension Spring	2	48	7691000042	Cotter Pin	2
20	7248000115	Cable Assembly	2	49	3619000001	Manifold Weld	2
21	7690141600	Pin	2	50	7115140850	Cap screw, 0.25"-20NC x 1.00"	4
22	7690021210	Cotter Pin	2	51	7950140153	Flatwasher, 0.25" ID	8
23	4831000112	Spacer	4	52	7660142604	Locknut, 0.25"-20NC	8
24	7719000005	Pulley	2	53	7445040445	Elbow	4
25	7690144055	Clevis Pin	2	54	7912000237	Tube	2
26	3691000222	Pin Weld	2	55	7274000073	Hose Clamp	4
27	7115150423	Cap screw, 0.31"-18NC x 0.50"	2				
28	3831000027	Spacer	4				
29	7754000006	Retaining Ring	2				
30	3020000112	Arm Weld	2				
31	3831000027	Wheel Spacer	2				

* also available in Grid Crossbar Assembly, P/N 3484000075

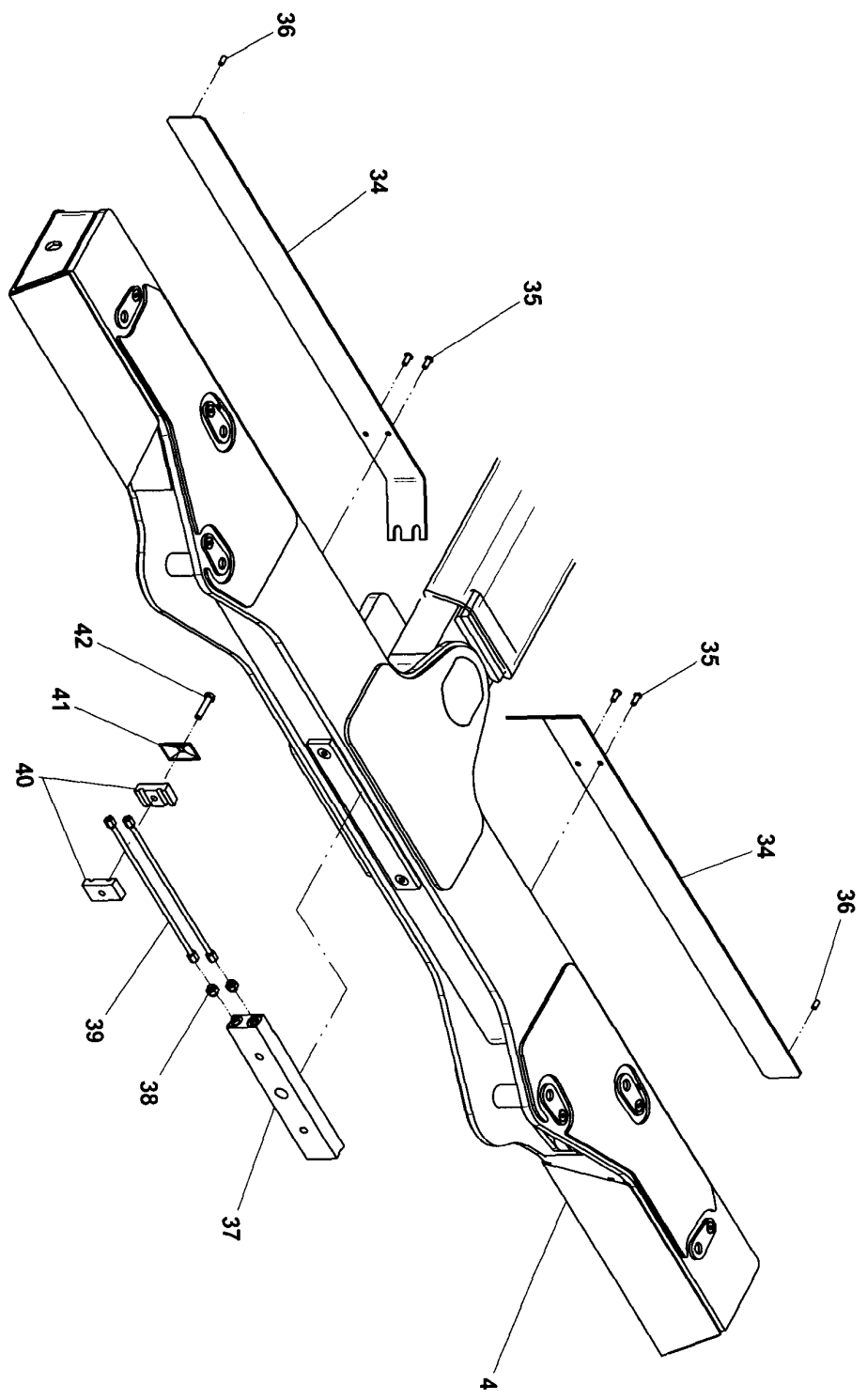
AUTO WHEEL LIFT GRID



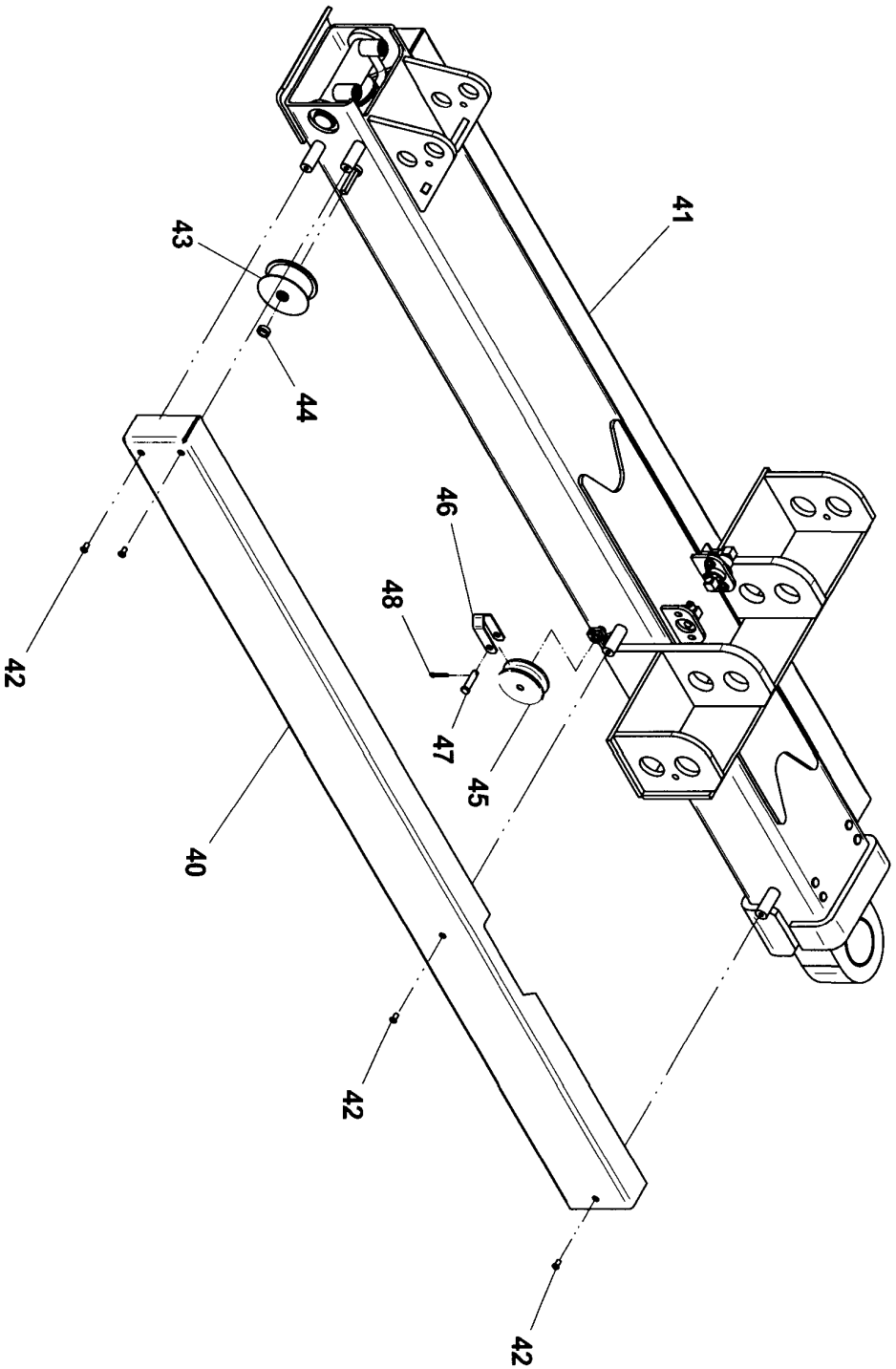
AUTO WHEEL LIFT GRID



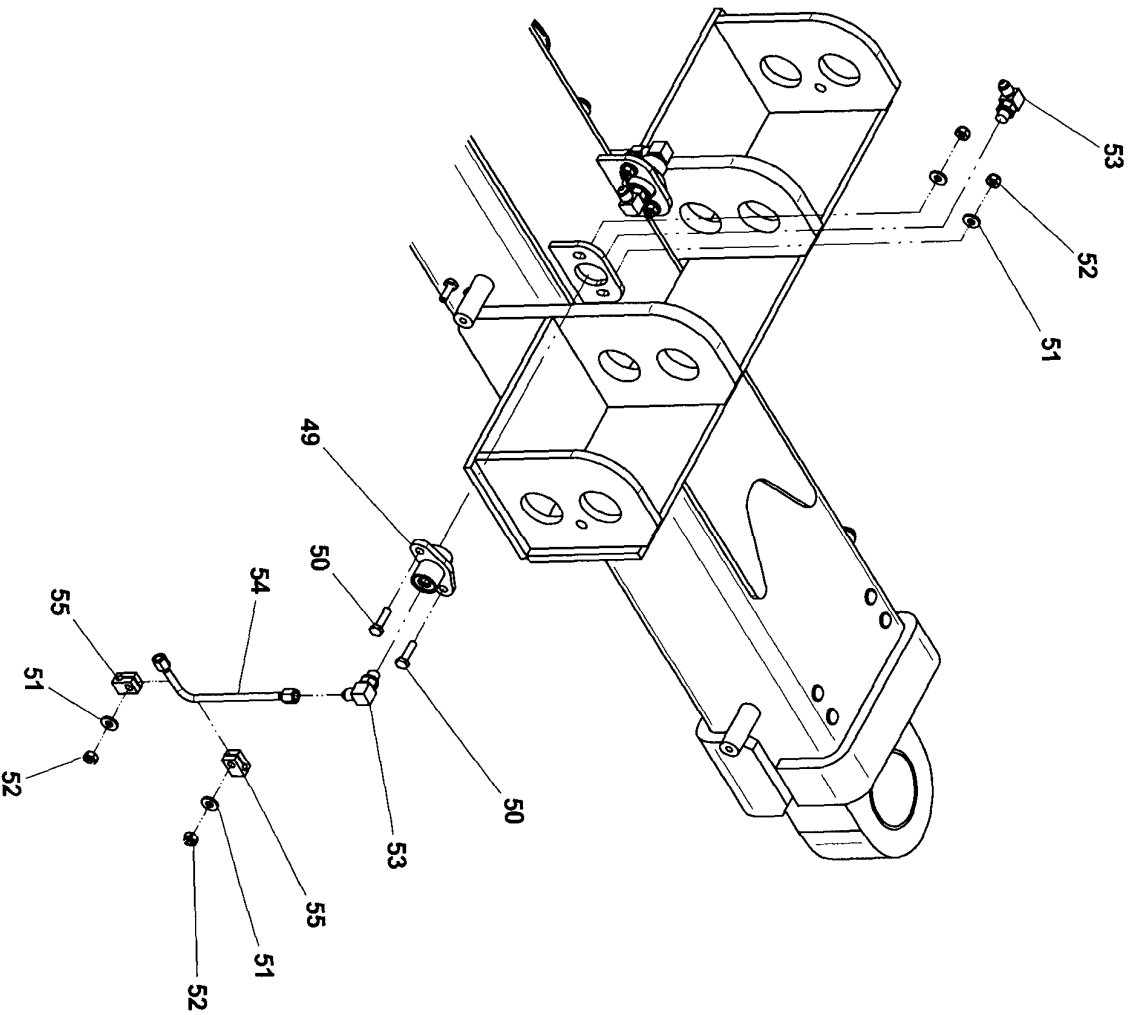
AUTO WHEEL LIFT GRID



AUTO WHEEL LIFT GRID



AUTO WHEEL LIFT GRID

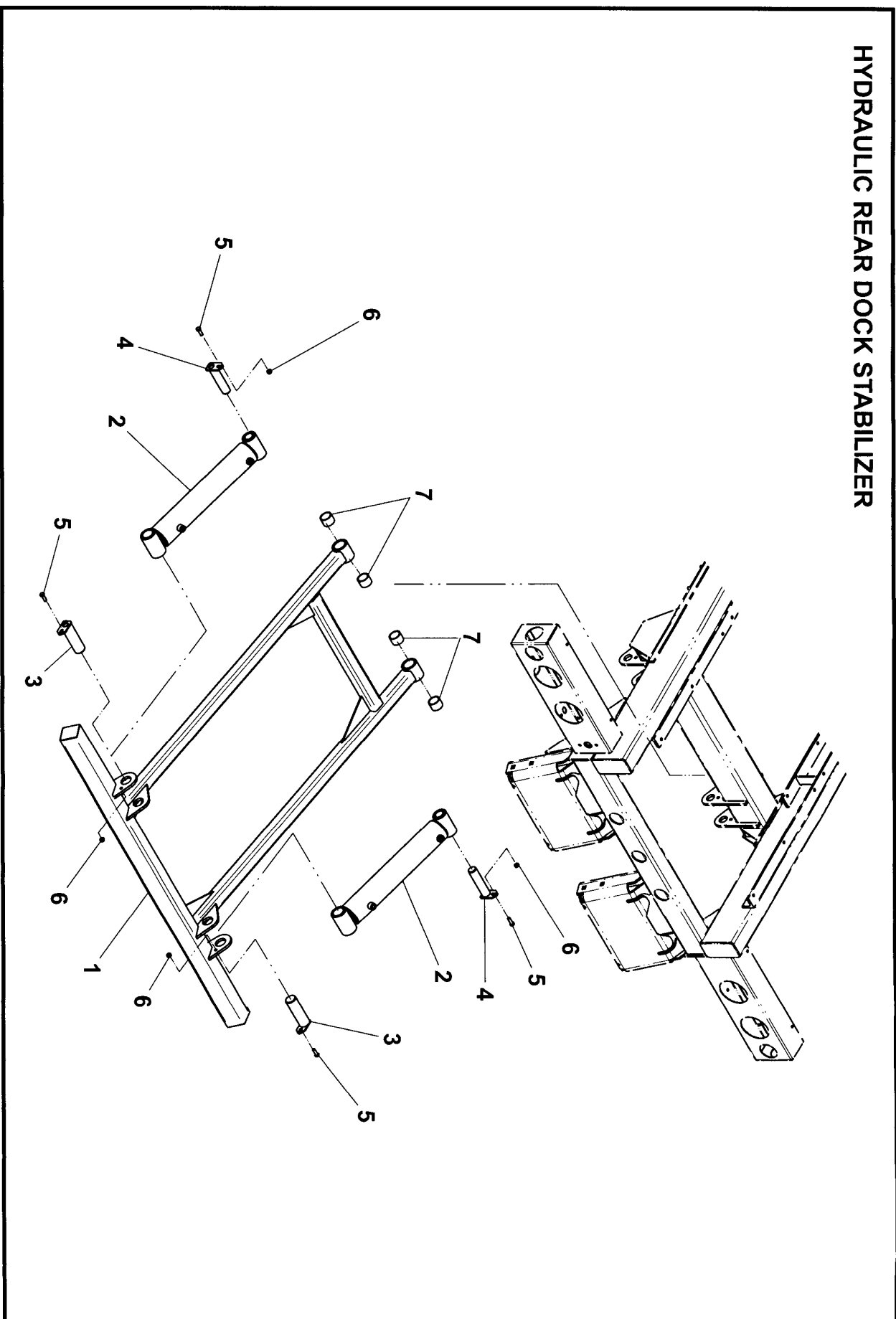


HYDRAULIC REAR DOCK STABILIZER

ITEM	PART NO.	DESCRIPTION	QTY
1	3849000021	Stabilizer Weld	1
2	3320000119	Cylinder Assembly	2
3	3691000165	Pin Weld	2
4	3691000073	Pin Weld	2
5	7115160950	Capscrew, 0.38"-16NC x 1.12"	4
6	7660162601	Locknut, 0.38"-16NC	4
7	7082000017*	Bearing	4

* included in Stabilizer Weld, P/N 3849000021

HYDRAULIC REAR DOCK STABILIZER

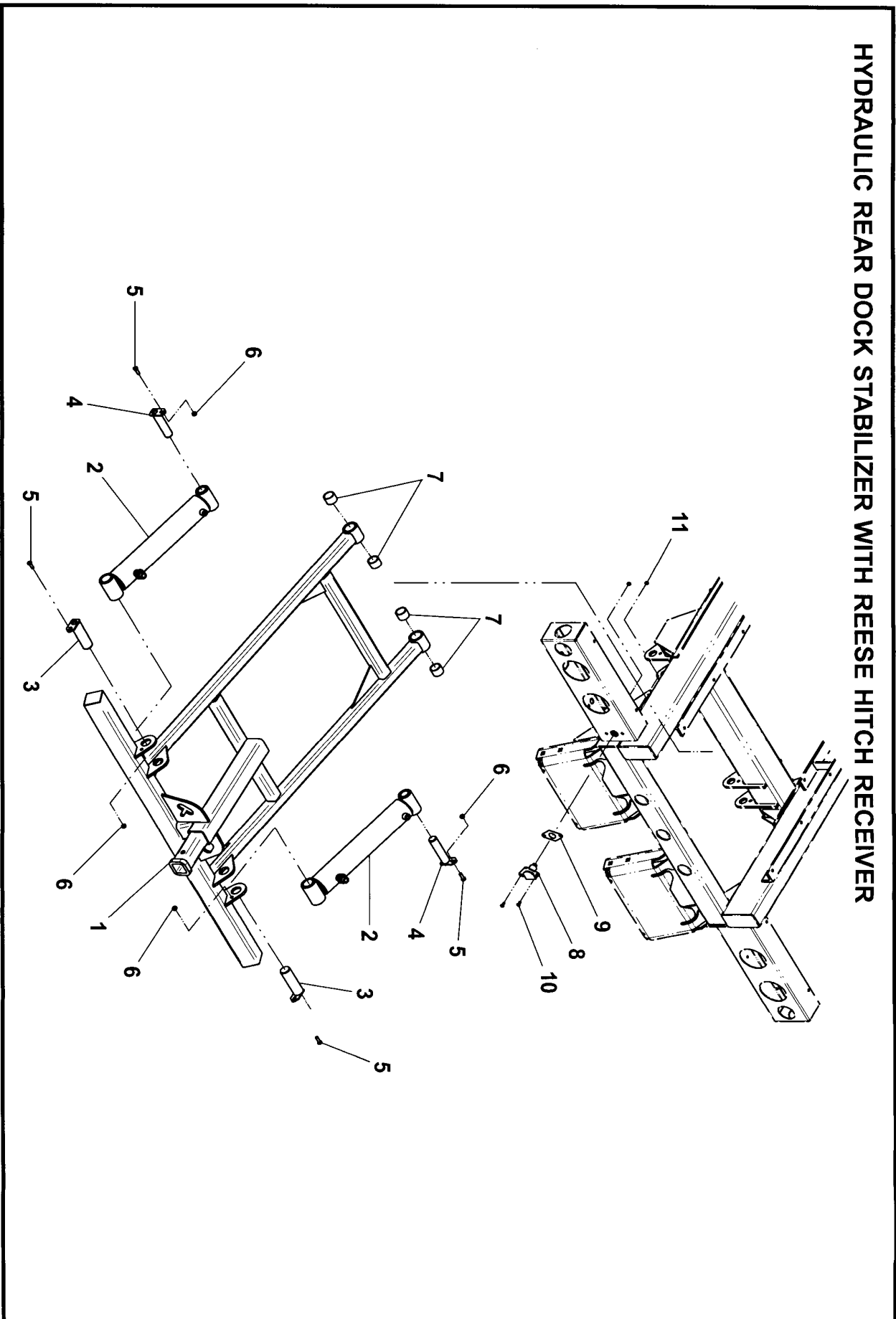


HYDRAULIC REAR DOCK STABILIZER WITH REESE HITCH RECEIVER

ITEM	PART NO.	DESCRIPTION	QTY
1	3849000023	Stabilizer Weld w/ Reese Hitch Receiver	1
2	3320000114	Cylinder Assembly	2
3	3691000165	Pin Weld	2
4	3691000073	Pin Weld	2
5	7115160950	Capscrew, 0.38"-16NC x 1.12"	4
6	7660162601	Locknut, 0.38"-16NC	4
7	7082000017*	Bearing	4
8	7291000003	4-Way Receptacle	1
9	7796000048	Gasket	1
10	7114140528	Screw, 0.25"-20NC x .63"	2
11	7660142601	Locknut, 0.25"-20NC	2

* included in Stabilizer Weld, P/N 3849000023

HYDRAULIC REAR DOCK STABILIZER WITH REESE HITCH RECEIVER

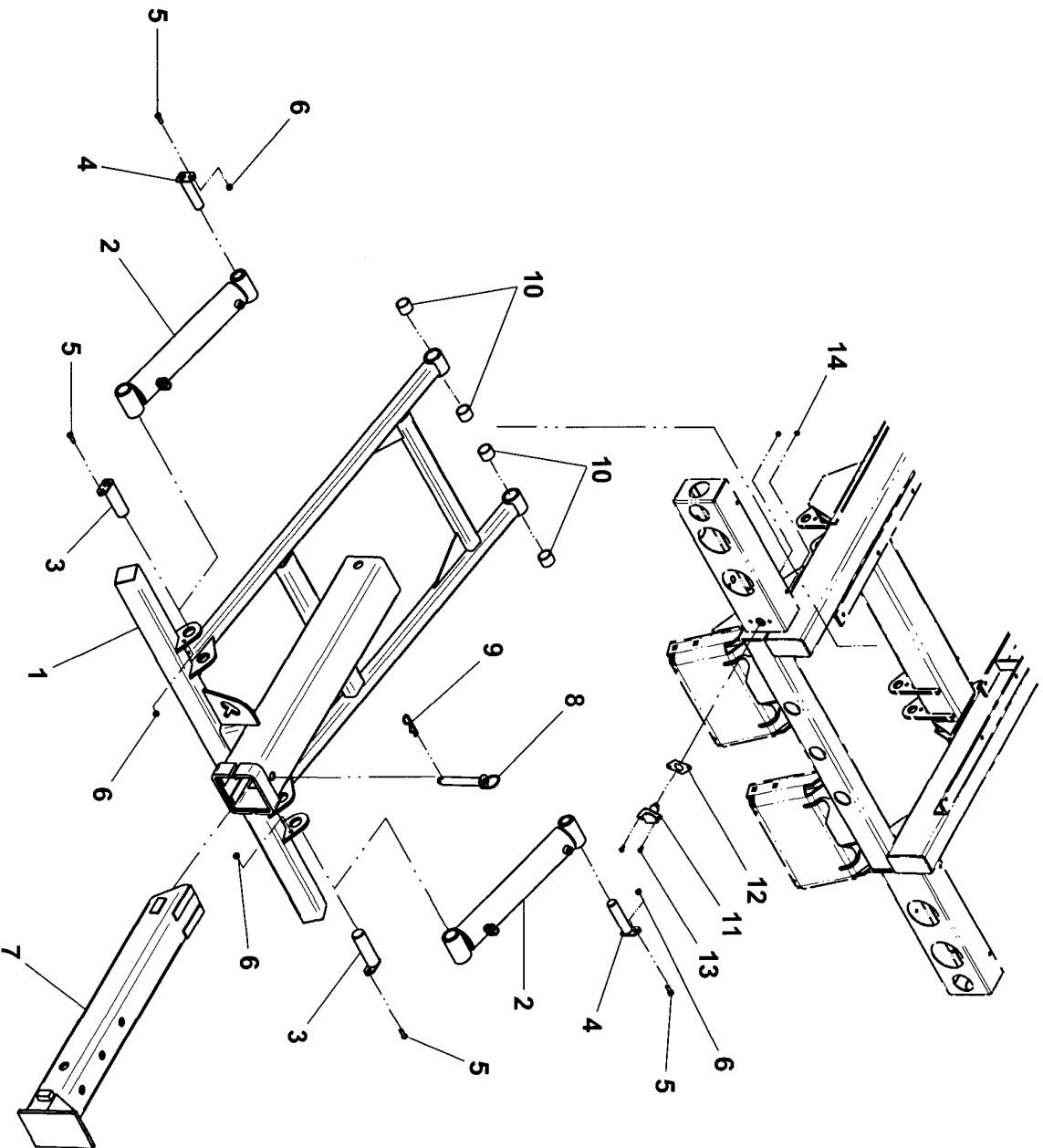


HYDRAULIC REAR DOCK STABILIZER WITH MANUAL EXTEND PINTLE MOUNTING PLATE

ITEM	PART NO.	DESCRIPTION	QTY
1	3849000022	Stabilizer Weld w/ Manual Pintle Plate	1
2	3320000114	Cylinder Assembly	2
3	3691000165	Pin Weld	2
4	3691000073	Pin Weld	2
5	7115160950	Capscrew, 0.38"-16NC x 1.12"	4
6	7660162601	Locknut, 0.38"-16NC	4
7	3170000203	Inner Boom Weld	1
8	3691000064	Pin Weld	1
9	7691000001	Hair Pin	1
10	7082000017*	Bearing	4
11	7291000003	4-Way Receptacle	1
12	7796000048	Gasket	1
13	7114140528	Screw, 0.25"-20NC x 0.63"	2
14	7660142601	Locknut, 0.25"-20NC	2

* included in Stabilizer Weld, P/N 3849000022

HYDRAULIC REAR DOCK STABILIZER WITH MANUAL EXTEND PINTLE MOUNTING PLATE



HYDRAULIC REAR DOCK STABILIZER WITH HYDRAULIC EXTEND PINTLE MOUNTING PLATE

ITEM	PART NO.	DESCRIPTION	QTY
1	3849000022	Stabilizer Weld w/ Pintle Hitch Plate	1
2	3320000114	Cylinder Assembly	2
3	3691000165	Pin Weld	2
4	3691000073	Pin Weld	2
5	7115160950	Capscrew, 0.38"-16NC x 1.12"	4
6	7660162601	Locknut, 0.38"-16NC	4
7	3170000203	Inner Boom Weld	1
8	3691000064	Pin Weld	1
9	7691000001	Hair Pin	1
10	3320000117	Cylinder Assembly	1
11	4691000430	Pin	1
12	4691000429	Pin	1
13	7754000006	Retaining Ring	1
14	7082000017*	Bearing	4
15	7291000003	4-Way Receptacle	1
16	7796000048	Gasket	1
17	7114140528	Screw, 0.25"-20NC x 0.63"	2
18	7660142601	Locknut, 0.25"-20NC	2

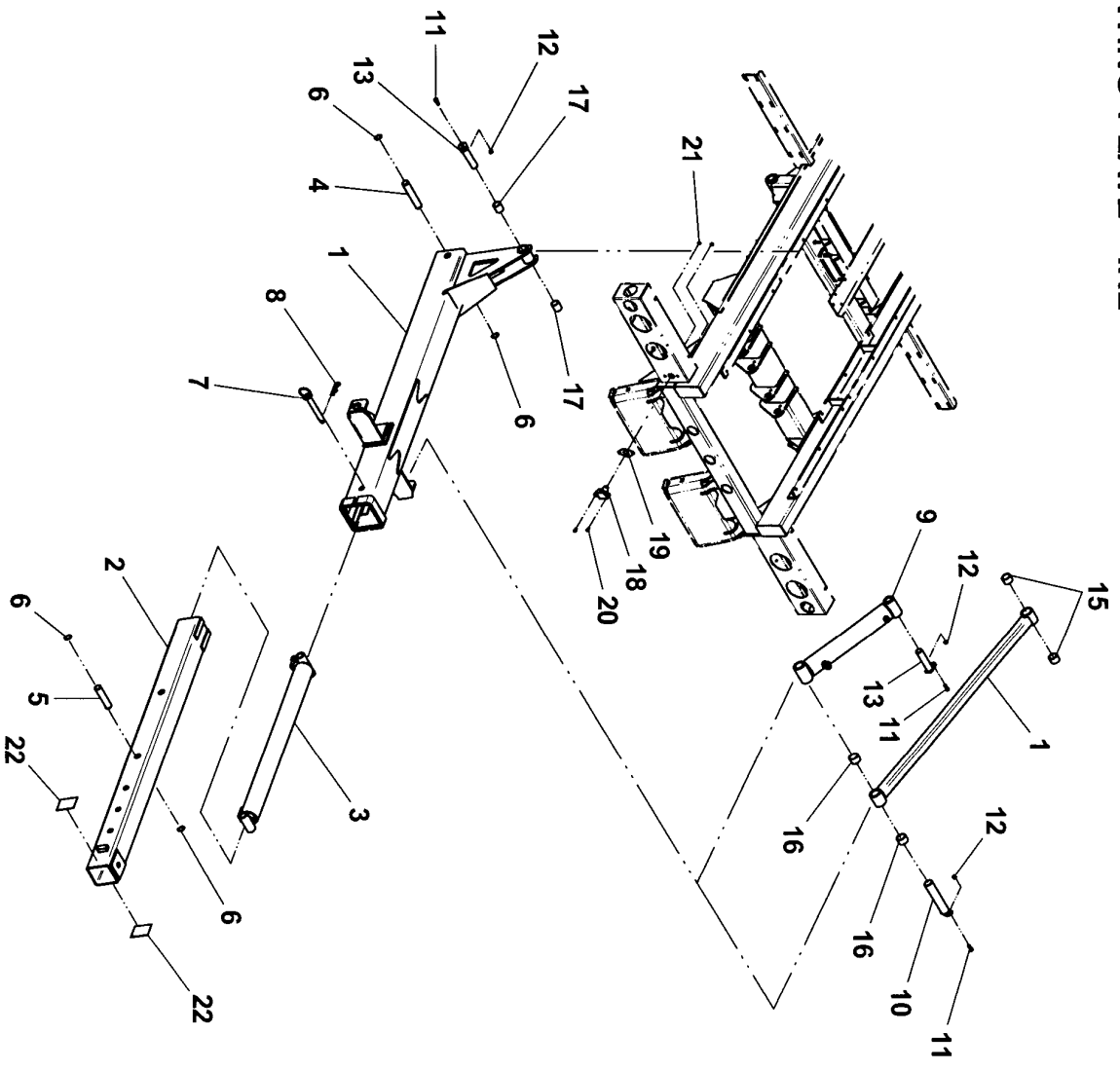
* included in Stabilizer Weld, P/N 3849000022

BALL HITCH MOUNTING PLATE - IRL

ITEM	PART NO.	DESCRIPTION	QTY
1	3170000275	Outer Boom Weld	1
2	3911000062	Inner Boom Weld	1
3	3320000116	Cylinder Assembly	1
4	4691000430	Pin	1
5	4691000429	Pin	1
6	7754000006	Retaining Ring	4
7	3691000064	Pin Weld	1
8	7691000001	Hair Pin	1
9	3320000114	Cylinder Assembly	2
10	3691000164	Pin Weld	2
11	7115160950	Capscrew, 0.38"-16NC x 1.12"	5
12	7660162601	Locknut, 0.38"-16NC	5
13	3691000073	Pin Weld	3
14	3020000097	Arm Weld	2
15	7082000017*	Bushing	4
16	7082000018*	Bushing	4
17	7082000016	Bushing	2
18	7291000003	4-Way Receptacle	1
19	7796000048	Gasket	1
20	7114140528	Screw, 0.25"-20NC x 0.63"	2
21	7660142601	Locknut, 0.25"-20NC	2
22	4330000002	Reflective Tape	2

* included in Arm Weld, P/N 3020000097

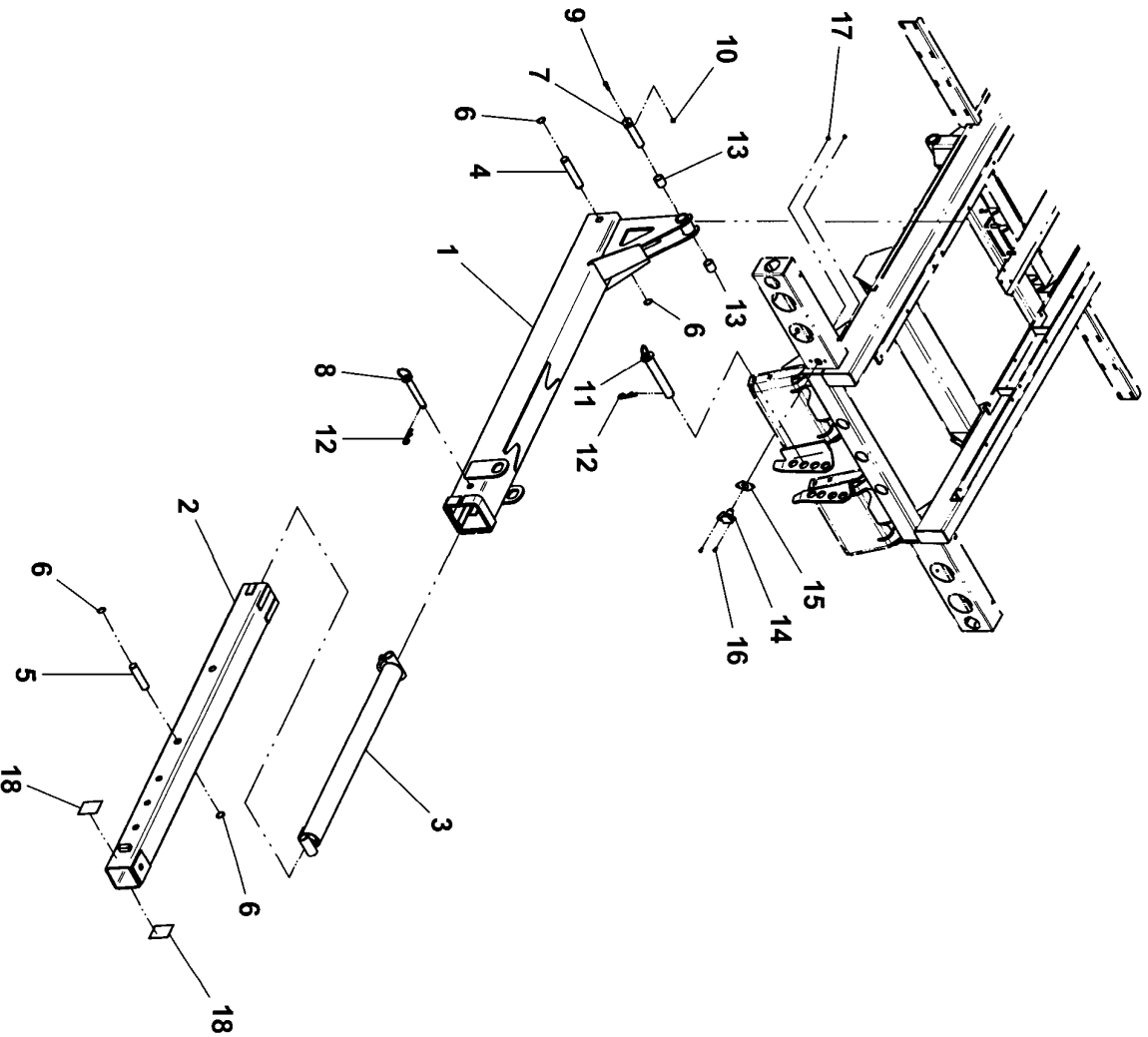
BALL HITCH MOUNTING PLATE - IRL



BALL HITCH MOUNTING PLATE - HYDRAULIC EXTEND

ITEM	PART NO.	DESCRIPTION	QTY
1	3170000276	Outer Boom Weld	1
2	3911000062	Inner Boom Weld	1
3	3320000116	Cylinder Assembly	1
4	4691000430	Pin	1
5	4691000429	Pin	1
6	7754000006	Retaining Ring	4
7	3691000073	Pin Weld	1
8	3691000064	Pin Weld	1
9	7115160950	Capscrew, 0.38"-16NC x 1.12"	1
10	7660162601	Locknut, 0.38"-16NC	1
11	3691000097	Pin Weld	1
12	7691000001	Hair Pin	2
13	7082000016*	Bushing	2
14	7291000003	4-Way Receptacle	1
15	7796000048	Gasket	1
16	7114140528	Screw, 0.25"-20NC x 0.63"	2
17	7660142601	Locknut, 0.25"-20NC	2
18	4330000002	Reflective Tape	1

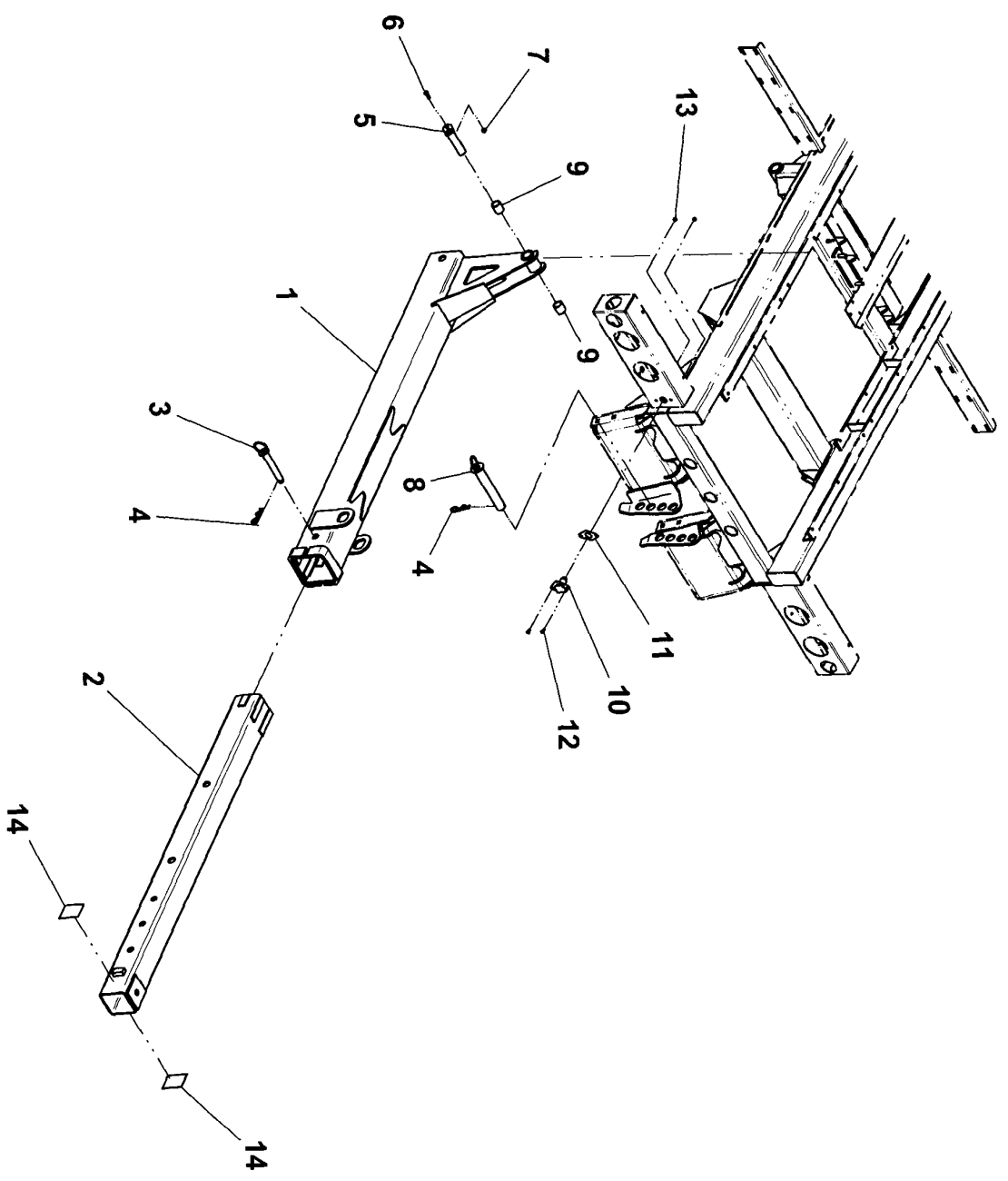
BALL HITCH MOUNTING PLATE - HYDRAULIC EXTEND



BALL HITCH MOUNTING PLATE - MANUAL EXTEND

ITEM	PART NO.	DESCRIPTION	QTY
1	3170000276	Outer Boom Weld	1
2	3911000062	Inner Boom Weld	1
3	3691000064	Pin Weld	1
4	7691000001	Hair Pin	2
5	3691000073	Pin Weld	1
6	7115160950	Capscrew, 0.38"-16NC x 1.12"	1
7	7660162601	Locknut, 0.38"-16NC	1
8	3691000097	Pin Weld	1
9	7082000016*	Bushing	2
10	7291000003	4-Way Receptacle	1
11	7796000048	Gasket	1
12	7114140528	Screw, 0.25"-20NC x 0.63"	2
13	7660142601	Locknut, 0.25"-20NC	2
14	4330000002	Reflective Tape	2

BALL HITCH MOUNTING PLATE - MANUAL EXTEND



PINTLE HITCH MOUNTING PLATE - IRL

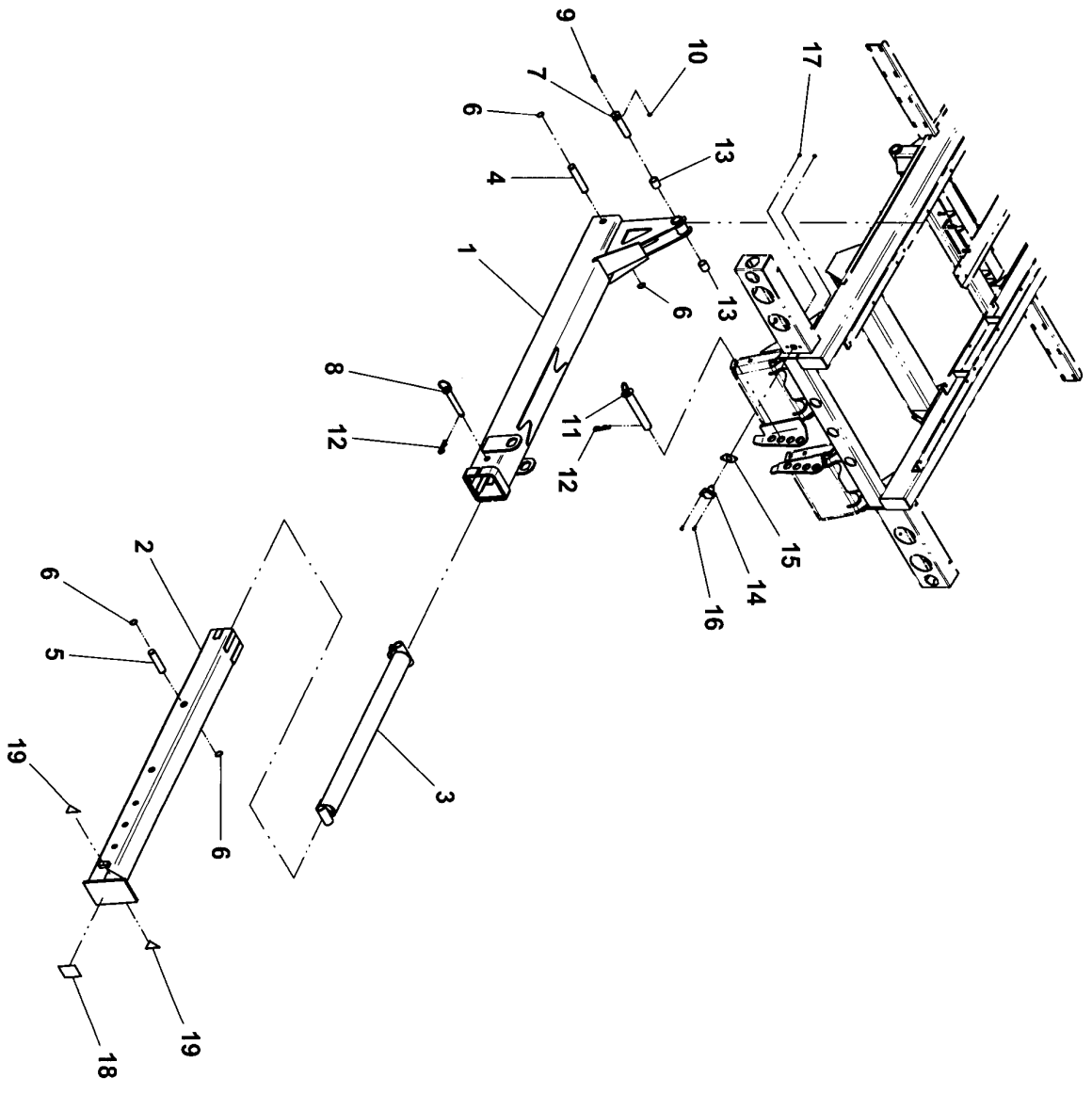
ITEM	PART NO.	DESCRIPTION	QTY
1	3170000275	Outer Boom Weld	1
2	3170000208	Inner Boom Weld	1
3	3320000116	Cylinder Assembly	1
4	4691000430	Pin	1
5	4691000429	Pin	1
6	7754000006	Retaining Ring	4
7	3691000064	Pin Weld	1
8	7691000001	Hair Pin	1
9	3320000114	Cylinder Assembly	1
10	3691000164	Pin Weld	2
11	7115160950	Capscrew, 0.38"-16NC x 1.12"	5
12	7660162601	Locknut, 0.38"-16NC	5
13	3691000073	Pin Weld	3
14	3020000097	Arm Weld	2
15	7082000017*	Bushing	4
16	7082000018*	Bushing	4
17	7082000016	Bushing	2
18	7291000003	4-Way Receptacle	1
19	7796000048	Gasket	1
20	7114140528	Screw, 0.25"-20NC x 0.63"	2
21	7660142601	Locknut, 0.25"-20NC	2
22	4330000002	Reflective Tape	1
23	4330000003	Reflective Tape	2

* included in Arm Weld, P/N 3020000097

PINTLE HITCH MOUNTING PLATE - HYDRAULIC EXTEND

ITEM	PART NO.	DESCRIPTION	QTY
1	3170000276	Outer Boom Weld	1
2	3170000208	Inner Boom Weld	1
3	3320000116	Cylinder Assembly	1
4	4691000430	Pin	1
5	4691000429	Pin	1
6	7754000006	Retaining Ring	4
7	3691000073	Pin Weld	1
8	3691000064	Pin Weld	1
9	7115160950	Capscrew, 0.38"-16NC x 1.12"	1
10	7660162601	Locknut, 0.38"-16NC	1
11	3691000097	Pin Weld	1
12	7691000001	Hair Pin	2
13	7082000016*	Bushing	2
14	7291000003	4-Way Receptacle	1
15	7796000048	Gasket	1
16	7114140528	Screw, 0.25"-20NC x 0.63"	2
17	7660142601	Locknut, 0.25"-20NC	2
18	4330000002	Reflective Tape	1
19	4330000003	Reflective Tape	2

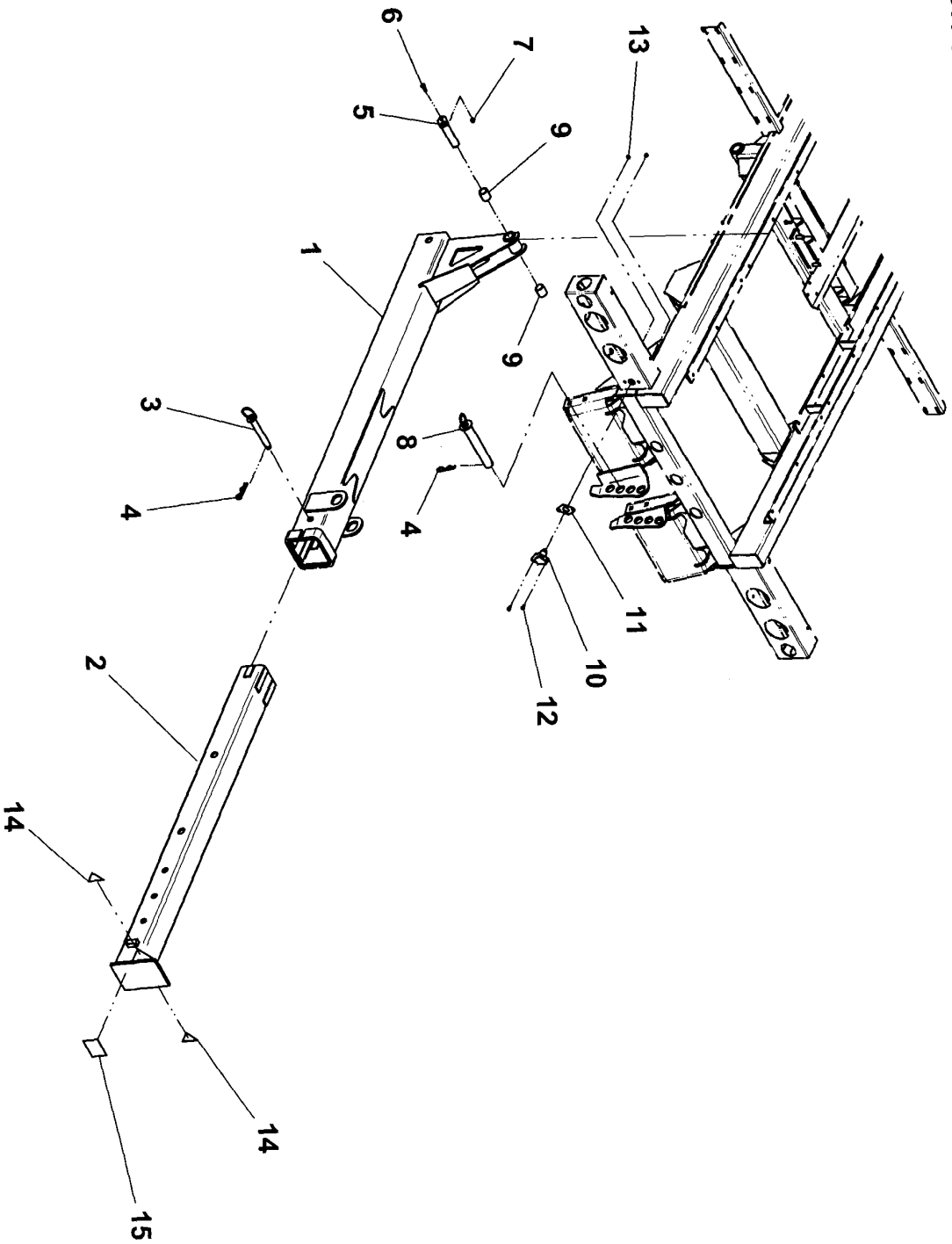
PINTLE HITCH MOUNTING PLATE - HYDRAULIC EXTEND



PINBLE HITCH MOUNTING PLATE - MANUAL EXTEND

ITEM	PART NO.	DESCRIPTION	QTY
1	3170000276	Outer Boom Weld	1
2	3170000208	Inner Boom Weld	1
3	3691000064	Pin Weld	1
4	7691000001	Hair Pin	2
5	3691000073	Pin Weld	1
6	715160950	Capscrew, 0.38"-16NC x 1.12"	1
7	7660162601	Locknut, 0.38"-16NC	1
8	3691000097	Pin Weld	1
9	7082000016*	Bushing	2
10	7291000003	4-Way Receptacle	1
11	7796000048	Gasket	1
12	7114140528	Screw, 0.25"-20NC x 0.63"	2
13	7660142601	Locknut, 0.25"-20NC	2
14	4330000002	Reflective Tape	1
15	4330000003	Reflective Tape	2

PINTLE HITCH MOUNTING PLATE - MANUAL EXTEND

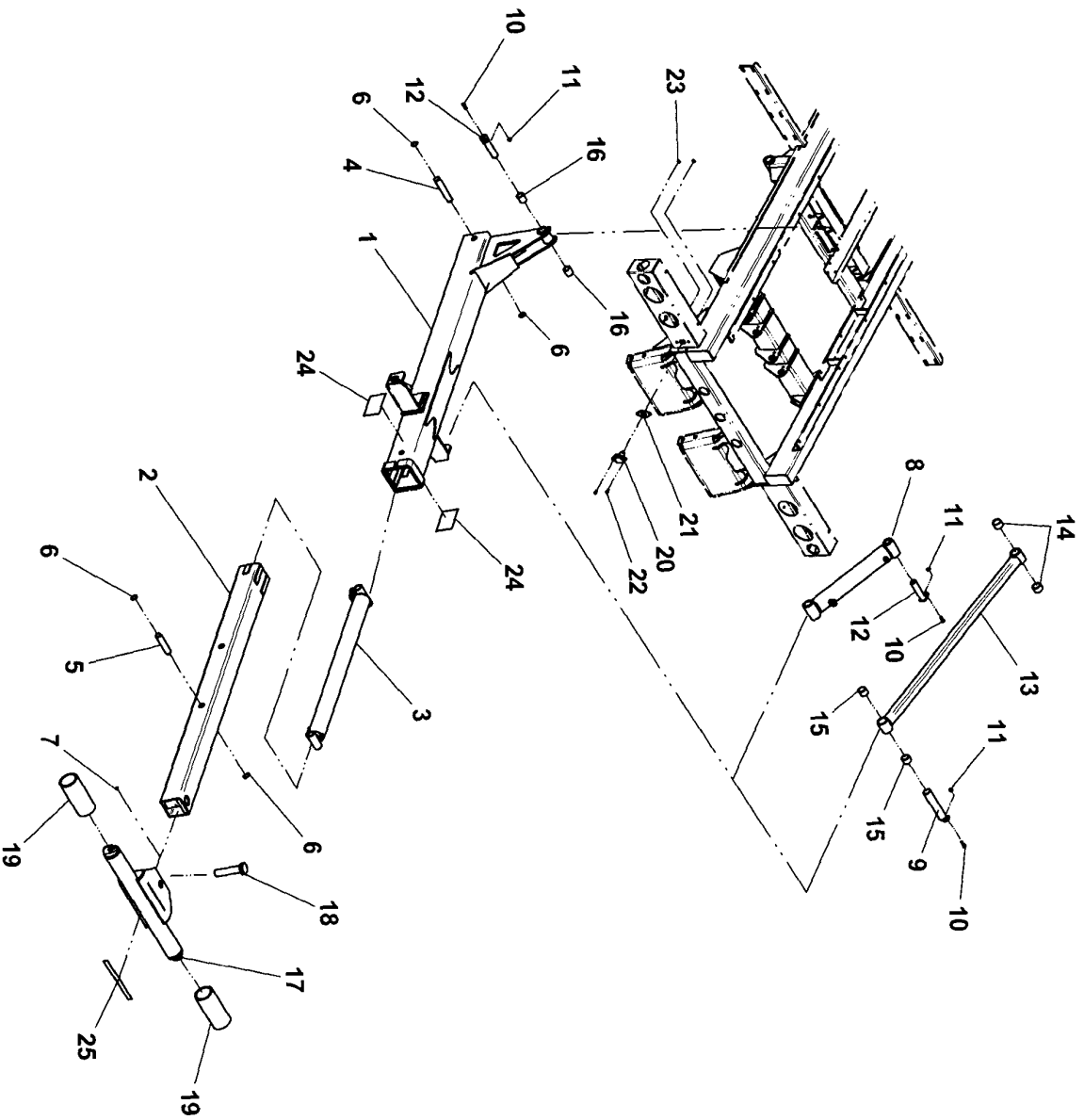


TOWBAR - IRL

ITEM	PART NO.	DESCRIPTION	QTY
1	3170000275	Outer Boom Weld	1
2	3170000048	Inner Boom Weld	1
3	3320000116	Cylinder Assembly	1
4	4691000430	Pin	1
5	4691000429	Pin	1
6	7754000006	Retaining Ring	4
7	7440030000	Grease Fitting	1
8	3320000114	Cylinder Assembly	1
9	3691000164	Pin Weld	2
10	7115160950	Capscrew, 0.38"-16NC x 1.12"	5
11	7660162601	Locknut, 0.38"-16NC	5
12	3691000073	Pin Weld	3
13	3020000097	Arm Weld	2
14	7082000017*	Bushing	4
15	7082000018*	Bushing	4
16	7082000016	Bushing	2
17	3556000023	Tow Hitch Weld	1
18	4120000008	Capscrew, 1.50"-12NF x 6.38"	1
19	7912000011	Tube Rubber	1
20	7291000003	4-Way Receptacle	2
21	7796000048	Gasket	1
22	7114140528	Screw, 0.25"-20NC x 0.63"	1
23	7660142601	Locknut, .025"-20NC	2
24	7330000419	Reflective Tape	2
25	4330000001	Reflective Tape	1

* included in Arm Weld, P/N 3020000097

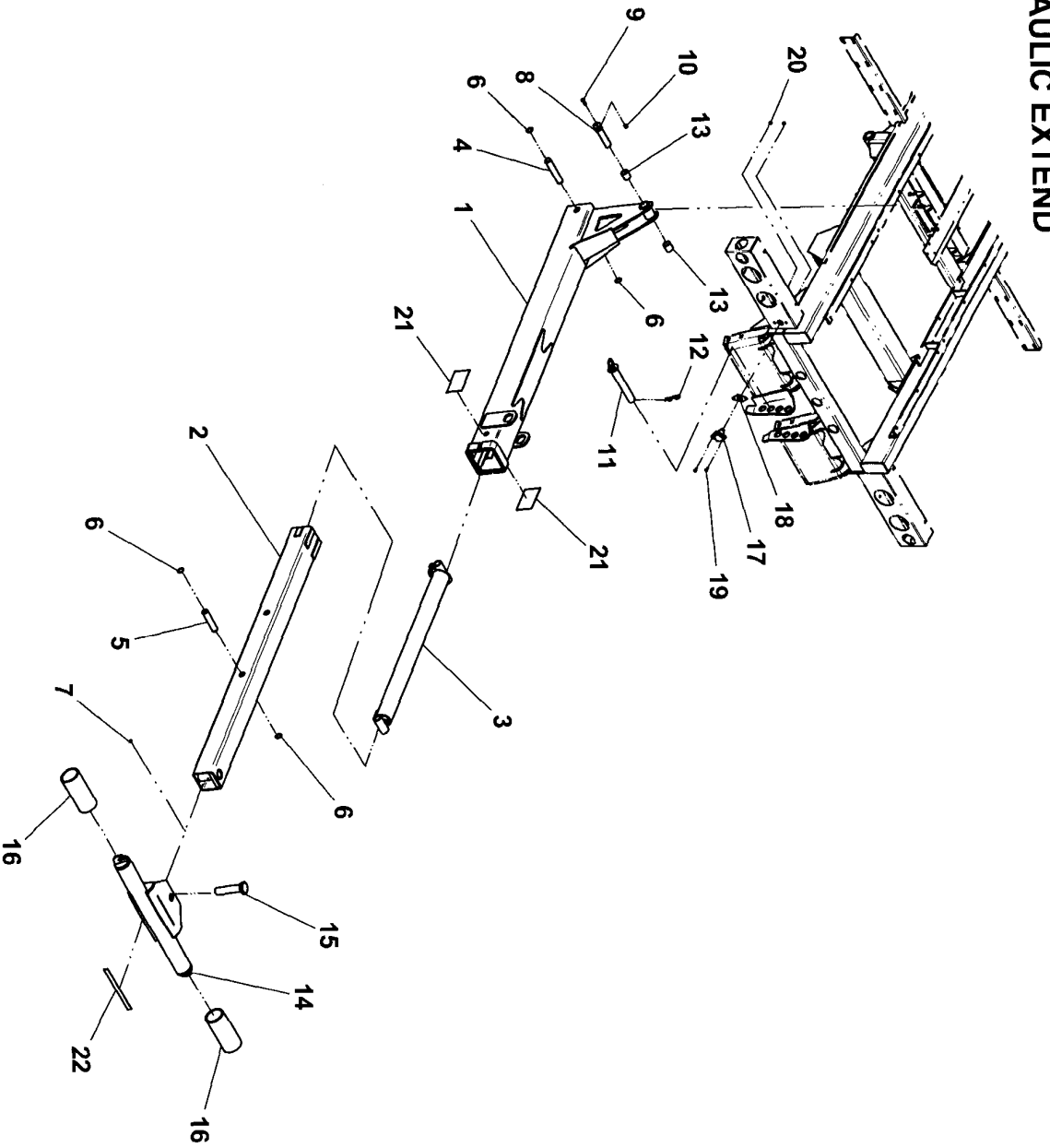
TOWBAR - IRL



TOWBAR - HYDRAULIC EXTEND

ITEM	PART NO.	DESCRIPTION	QTY
1	3170000276	Outer Boom Weld	1
2	3170000048	Inner Boom Weld	1
3	3320000116	Cylinder Assembly	1
4	4691000430	Pin	1
5	4691000429	Pin	1
6	7754000006	Retaining Ring	4
7	7440030000	Grease Fitting	1
8	3691000073	Pin Weld	1
9	7115160950	Capscrew, 0.38"-16NC x 1.12"	1
10	7660162601	Locknut, 0.38"-16NC	1
11	3691000097	Pin Weld	1
12	7691000001	Hair Pin	1
13	7082000016	Bushing	2
14	3556000023	Tow Hitch Weld	1
15	4120000008	Capscrew, 1.50"-12NF x 6.38"	1
16	7912000011	Tube Rubber	2
17	7291000003	4-Way Receptacle	1
18	7796000048	Gasket	1
19	7114140528	Screw, 0.25"-20NC x 0.63"	2
20	7660142601	Locknut, 0.25"-20NC	2
21	7330000419	Reflective Tape	2
22	4330000001	Reflective Tape	1

TOWBAR - HYDRAULIC EXTEND



ROLL CYLINDER ASSEMBLY - P/N 3320000112

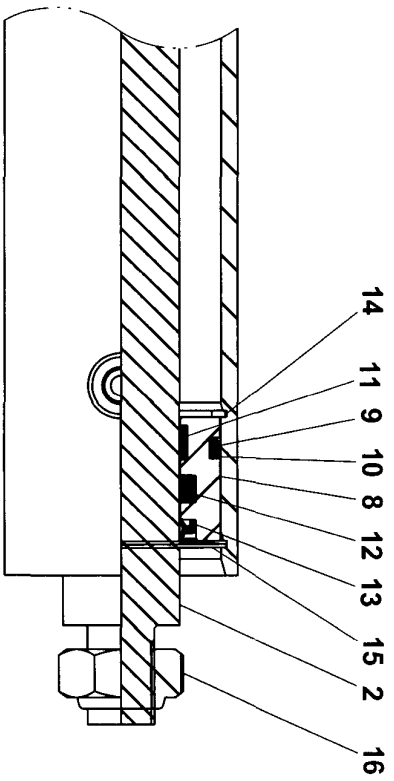
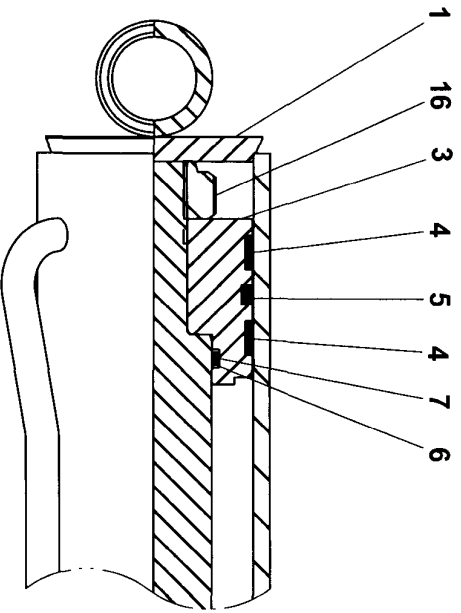
ITEM	PART NO.	DESCRIPTION	QTY
1	3071000103	Barrel Weld	1
2	4763000204	Rod	1
3	4698000007*	Piston	1
4	7754000003* #	Wear Ring	2
5	77960000063* #	Piston Locking "T" Seal	1
6	7755224609* #	Back-Up Ring	2
7	7755224000* #	"O" Ring	1
8	4553000008^	Head	1
9	7755334000^ #	"O" Ring	1
10	7755334609^ #	Back-Up Ring	1
11	7754000004^ #	Wear Ring	1
12	7796000024^ #	Rod Seal	1
13	7796000008^ #	Rod Wiper Seal	1
14	7754000002 #	Retaining Ring	1
15	7754000026 #	Retaining Ring	1
16	7661000034	Locknut	2

* included in Piston Assembly, P/N 3698000001

^ included in Head Assembly, P/N 3553000011

Available only in Service Kit #7577250024

ROLL CYLINDER ASSEMBLY - P/N 3320000112

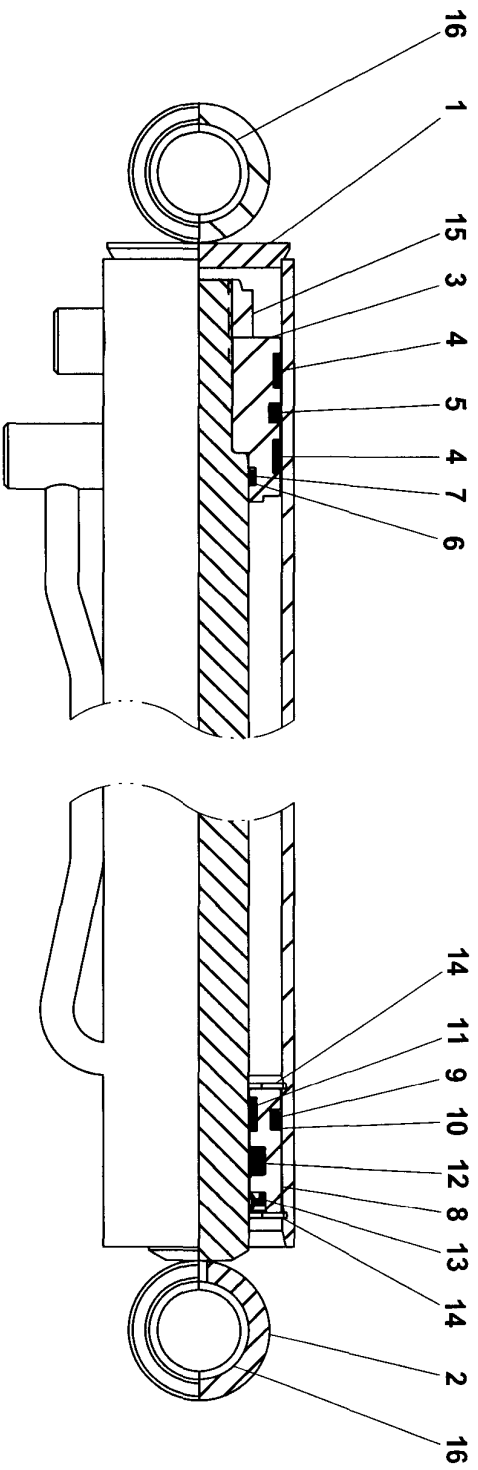


TILT CYLINDER ASSEMBLY (OUTBOARD) - P/N 3320000113

ITEM	PART NO.	DESCRIPTION	QTY
1	3071000104	Barrel Weld	1
2	3763000117	Rod Weld	1
3	4698000015*	Piston	1
4	7754000053*#	Wear Ring	2
5	7796000067*#	Piston Locking "T" Seal	1
6	7755222609*#	Back-Up Ring	2
7	7755222000*#	"O" Ring	1
8	4553000016^	Head	1
9	7755330000^#	"O" Ring	1
10	7755330609^#	Back-Up Ring	1
11	7754000054^#	Wear Ring	1
12	7796000045^#	Rod Seal	1
13	7796000046^#	Rod Wiper Seal	1
14	7754000051#	Retaining Ring	2
15	7661000034	Locknut	1
16	7082000016	Bearing	4

* included in Piston Assembly, P/N 3698000006
 ^ included Head Assembly, P/N 3553000016
 # Available only in Service Kit #7577250206

TILT CYLINDER ASSEMBLY (OUTBOARD) - P/N 3320000113

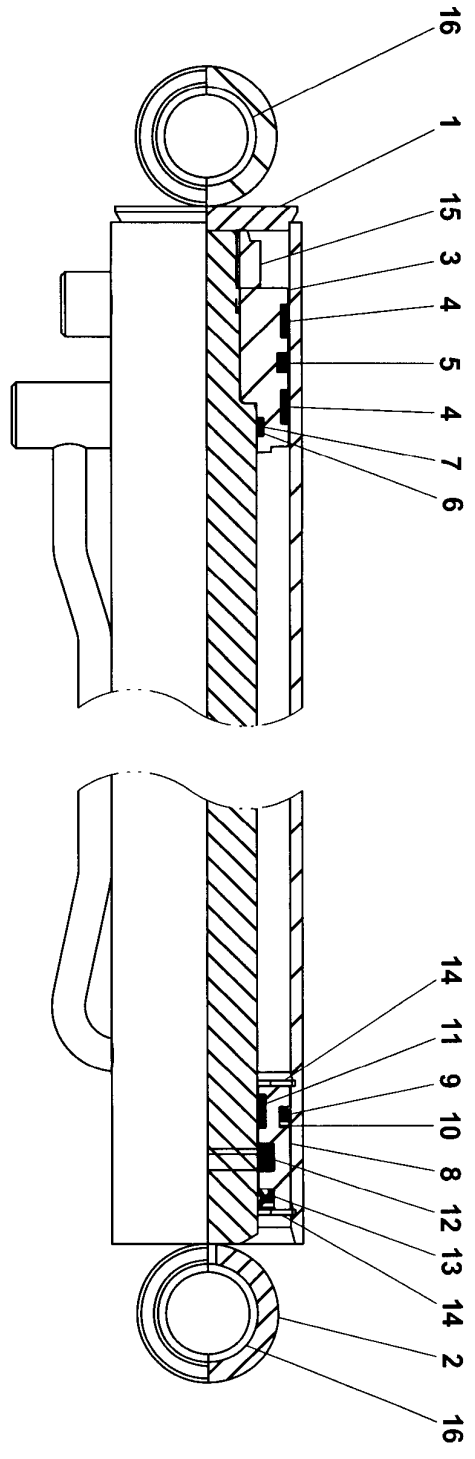


TILT CYLINDER ASSEMBLY (INBOARD) - P/N 3320000120

ITEM	PART NO.	DESCRIPTION	QTY
1	3071000111	Barrel Weld	1
2	3763000123	Rod Weld	1
3	4698000015*	Piston	1
4	7754000053*#	Wear Ring	2
5	7796000067*#	Piston Locking "T" Seal	1
6	7755222609*#	Back-Up Ring	2
7	7755222000*#	"O" Ring	1
8	4553000016^	Head	1
9	7755330000^#	"O" Ring	1
10	7755330609^#	Back-Up Ring	1
11	7754000054^#	Wear Ring	1
12	7796000045^#	Rod Seal	1
13	7796000046^#	Rod Wiper Seal	1
14	7754000051#	Retaining Ring	2
15	7661000011	Locknut	1
16	7082000016	Bearing	4

* included in Piston Assembly, P/N 3698000006
 ^ included in Head Assembly, P/N 3553000016
 # Available only in Service Kit #7577250206

TILT CYLINDER ASSEMBLY (INBOARD) - P/N 3320000120



WHEEL LIFT EXTEND CYLINDER ASSEMBLY - P/N 3320000115

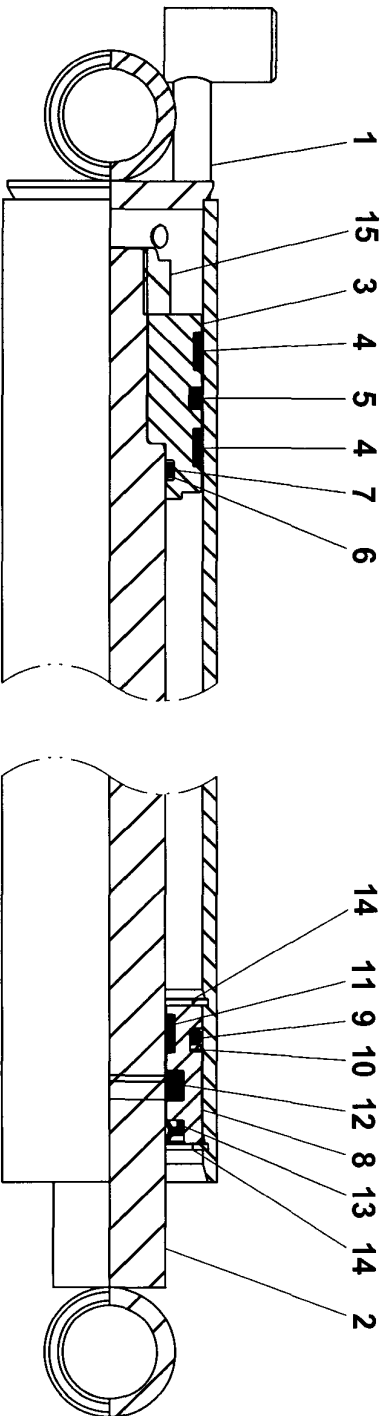
ITEM	PART NO.	DESCRIPTION	QTY
1	3071000106	Barrel Weld	1
2	3763000119	Rod Weld	1
3	4698000015*	Piston	1
4	7754000053* #	Wear Ring	2
5	7796000067* #	Piston Locking "T" Seal	1
6	7755222609* #	Back-Up Ring	2
7	7755222000* #	"O" Ring	1
8	4553000016^	Head	1
9	7755330000^ #	"O" Ring	1
10	7755330609^ #	Back-Up Ring	1
11	7754000054^ #	Wear Ring	1
12	7796000045^ #	Rod Seal	1
13	7796000046^ #	Rod Wiper Seal	1
14	7754000051#	Retaining Ring	2
15	7661000034	Locknut	1

* included in Piston Assembly, P/N 3698000006

^ included in Head Assembly, P/N 3553000016

Available only in Service Kit #7577250206

WHEEL LIFT EXTEND CYLINDER ASSEMBLY - P/N 3320000115



IRL CYLINDER ASSEMBLY - P/N 3320000114 & 3320000134

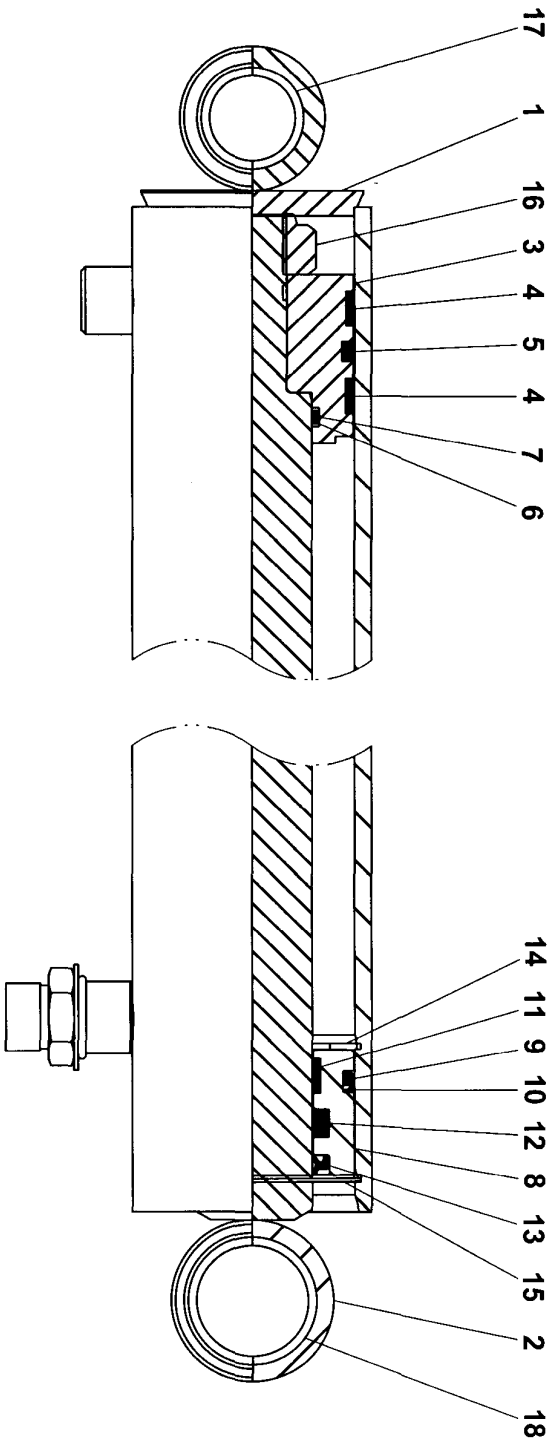
ITEM	PART NO.	DESCRIPTION	QTY
1	3071000105	Barrel Weld (auto grids)	1
	3017000131	Barrel Weld (auto grids)	
2	3763000118	Rod Weld (manual grids)	1
	3763000139	Rod Weld (auto grids)	
3	4698000007*	Piston	1
4	7754000003*#	Wear Ring	2
5	7796000063*#	Piston Locking "T" Seal	1
6	7755224609*#	Back-Up Ring	2
7	7755224000*#	"O" Ring	1
8	4553000008^	Head	1
9	7755334000^#	"O" Ring	1
10	7755334609^#	Back-Up Ring	1
11	7754000004^#	Wear Ring	1
12	7796000024^#	Rod Seal	1
13	7796000008^#	Rod Wiper Seal	1
14	7754000002 #	Retaining Ring	1
15	7754000026 #	Retaining Ring	1
16	7661000034	Locknut	1
17	7082000016	Bearing	2
18	7082000018	Bearing	2

* included in Piston Assembly, P/N 3698000001

^ included in Head Assembly, P/N 3553000011

Available only in Service Kit #7577250024

IRL CYLINDER ASSEMBLY - P/N 3320000114 & 3320000134

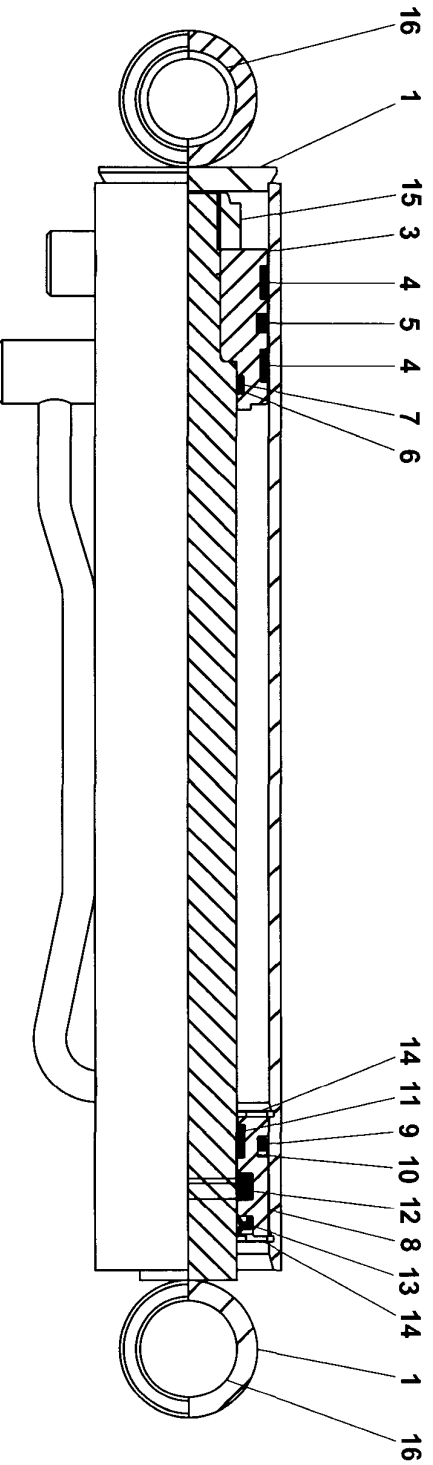


ZOD CYLINDER ASSEMBLY - P/N 3320000118, 3320000135 & 7330000157

ITEM	PART NO.	DESCRIPTION	QTY
1	3071000109	Barrel Weld (manual grids)	1
	3071000139	Barrel Weld (auto grids, std frame))	
	3071000103	Barrel Weld (auto grids, high frame)	
2	3763000122	Rod Weld (manual grid)	1
	3763000140	Rod Weld (auto grids, std frame)	
	3763000170	Rod Weld (auto grids, high frame)	
3	4698000015*	Piston	1
4	7754000053*#	Wear Ring	2
5	7796000067*#	Piston Locking "T" Seal	1
6	7755224609*#	Back-Up Ring	1
7	7755224000*#	"O" Ring	2
8	4553000016^	"O" Ring	1
9	77553390000^#	Head	1
10	77553390609^#	"O" Ring	1
11	7754000054^#	Back-Up Ring	1
12	7796000045^#	Wear Ring	1
13	7796000046^#	Rod Seal	1
14	7754000051 #	Rod Wiper Seal	1
15	7661000034	Retaining Ring	2
16	7082000016	Locknut Bearing	1 4

* include in Piston Assembly, P/N 3698000006
 ^ included in Head Assembly, P/N 3553000016
 # Available only in Service Kit #757250206

ZOD CYLINDER ASSEMBLY - P/N 3320000118, 3320000135 & 3320000157

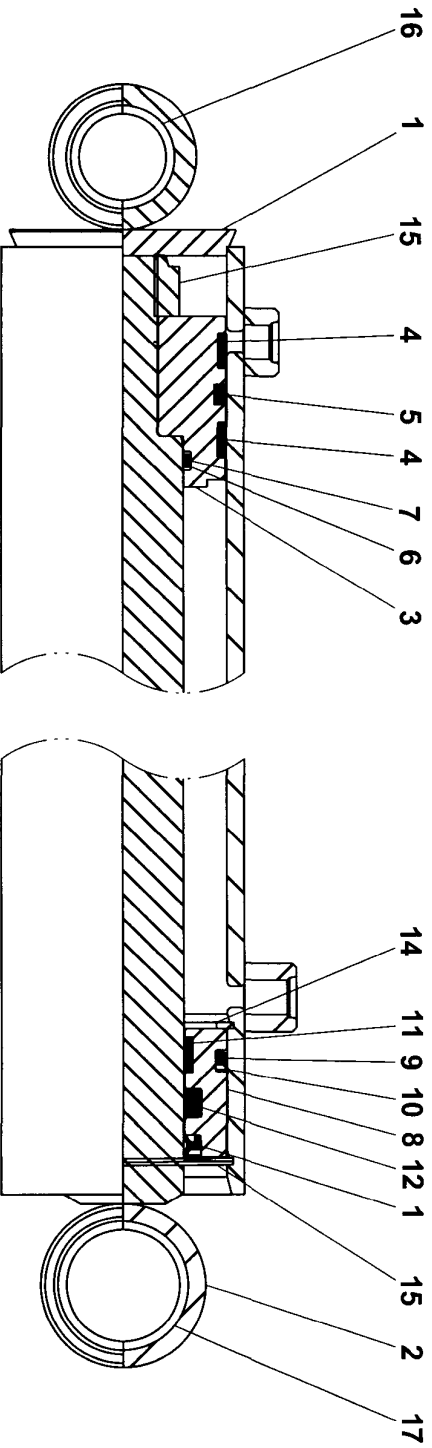


STABILIZER CYLINDER ASSEMBLY - P/N 3320000119

ITEM	PART NO.	DESCRIPTION	QTY
1	3071000110	Barrel Weld	1
2	3763000118	Rod Weld	1
3	4698000007*	Piston	1
4	7754000003*#	Wear Ring	2
5	7796000063*#	Piston Locking "T" Seal	1
6	7755224609*#	Back-Up Ring	2
7	7755224000*#	"O" Ring	1
8	4553000008^	Head	1
9	7755334000^#	"O" Ring	1
10	7755334609^#	Back-Up Ring	1
11	7754000004^#	Wear Ring	1
12	7796000024^#	Rod Seal	1
13	7796000008^#	Rod Wiper Seal	1
14	7754000002 #	Retaining Ring	1
15	7754000026 #	Retaining Ring	1
16	7661000034	Locknut	1
17	7082000016	Bearing	2
18	7082000018	Bearing	2

* included in Piston Assembly, P/N 3698000001
 ^ included in Head Assembly, P/N 3553000011
 # Available only in Service Kit #757250024

STABILIZER CYLINDER ASSEMBLY - P/N 3320000119



TOW OPTION HYDRAULIC EXTEND CYLINDER ASSEMBLY - P/N 3320000116

ITEM	PART NO.	DESCRIPTION	QTY
1	3071000107	Barrel Weld	1
2	3763000120	Rod Weld	1
3	4698000007*	Piston	1
4	7754000003* #	Wear Ring	2
5	77960000063* #	Piston Locking "T" Seal	1
6	7755224609* #	Back-Up Ring	2
7	7755224000* #	"O" Ring	1
8	4553000008^	Head	1
9	7755334000^ #	"O" Ring	1
10	7755334609^ #	Back-Up Ring	1
11	7754000004^ #	Wear Ring	1
12	7796000024^ #	Rod Seal	1
13	7796000008^ #	Rod Wiper Seal	1
14	7754000002 #	Retaining Ring	1
15	7754000026 #	Retaining Ring	1
16	7661000034	Locknut	1

* included in Piston Assembly, P/N 3698000001
 ^ included in Head Assembly, P/N 3553000011
 # Available only in Service Kit #757250024

TOW OPTION HYDRAULIC EXTEND CYLINDER ASSEMBLY FOR STABILIZER - P/N 3320000117

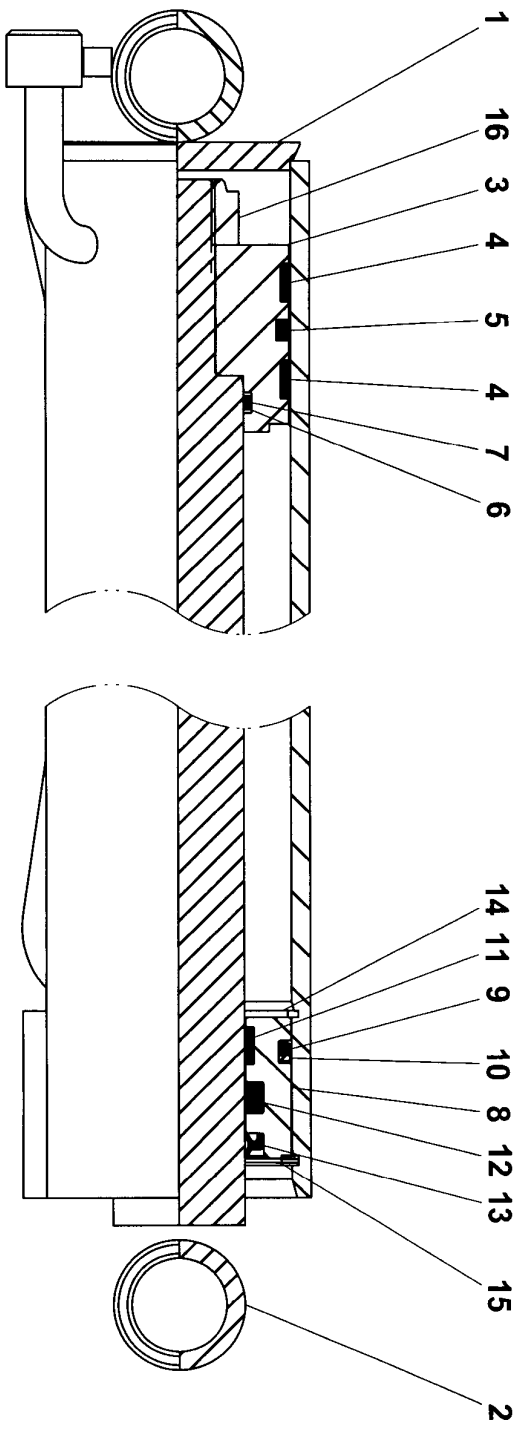
ITEM	PART NO.	DESCRIPTION	QTY
1	3071000108	Barrel Weld	1
2	3763000121	Rod Weld	1
3	4698000007*	Piston	1
4	7754000003*#	Wear Ring	2
5	7796000063*#	Piston Locking "T" Seal	1
6	7755224609*#	Back-Up Ring	1
7	7755224000*#	"O" Ring	2
8	4553000008^	Head	1
9	7755334000^#	"O" Ring	1
10	7755334609^#	Back-Up Ring	1
11	7754000004^#	Wear Ring	1
12	7796000024^#	Rod Seal	1
13	7796000008^#	Rod Wiper Seal	1
14	7754000002 #	Retaining Ring	1
15	7754000026 #	Retaining Ring	1
16	7661000034	Locknut	1

* included in Piston Assembly, P/N 369800001

^ included in Head Assembly, P/N 3553000011

Available only in Service Kit #757250024

TOW OPTION HYDRAULIC EXTENDED CYLINDER ASSEMBLY FOR STABILIZER - P/N 3320000117

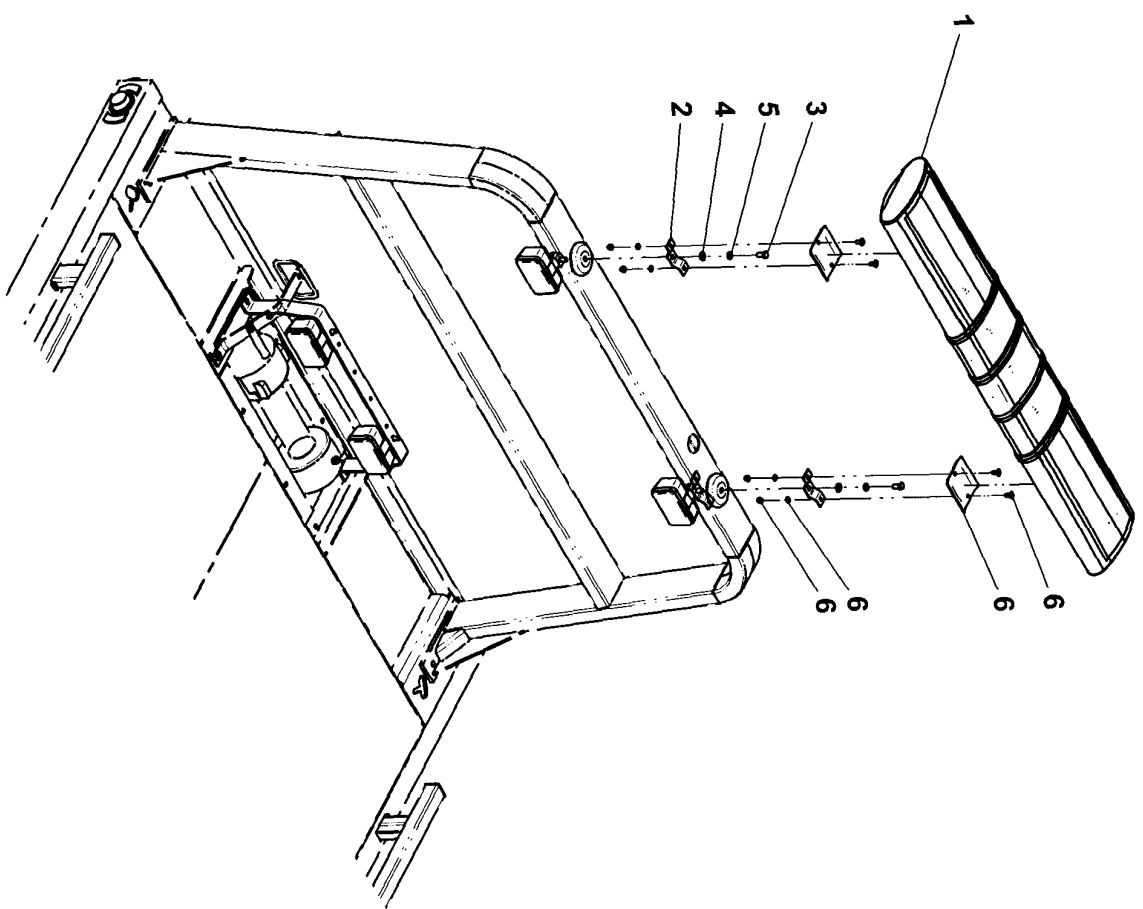


LIGHTBARS

ITEM	PART NO.	DESCRIPTION	QTY
1	7590000225	Lightbar, Amber Rotator	1
	7590000229	Lightbar, Amber Strobe	
	7590000228	Lightbar, Red Rotator	
	7590000230	Lightbar, Clear Rotator	
2	4178000405	Bracket (standard mount)	2
	4178000437	Bracket (high mount)	
3	7115180850	Capscrew, 0.50"-1.3NC x 1.00"	2
4	7950180252	Flatwasher, 0.50" ID	2
5	7950180000	Lockwasher, 0.50" ID	2
6	9577930176*	Lightbar Mounting Bracket Kit	1

* included in Lightbar

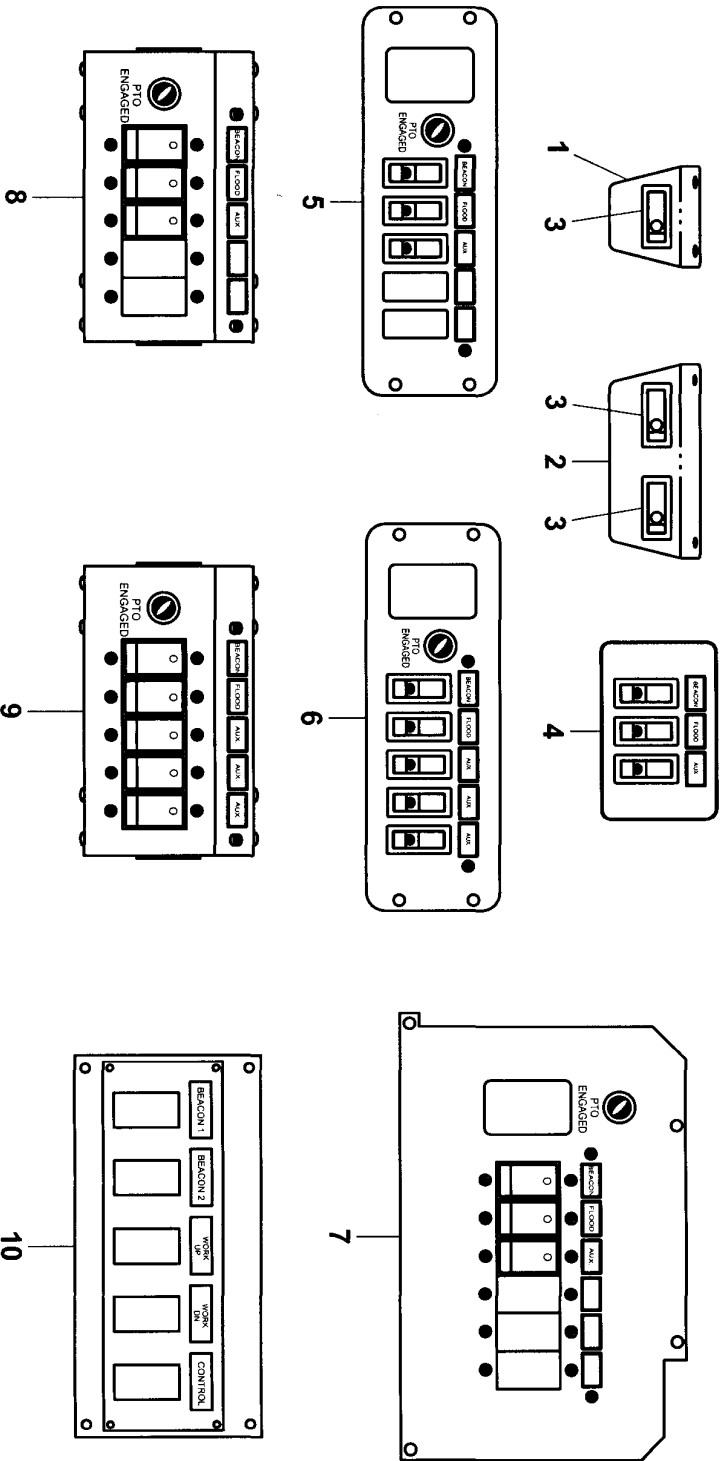
LIGHTBARS



SWITCH PANELS

ITEM	PART NO.	DESCRIPTION	QTY
1	4178000403	Bracket - 1 Function Switch Panel	1
2	4178000427	Bracket - 2 Function Switch Panel	1
3	7870000083	Switch	1
4	7870000113	Switch Panel - 3 Function, Mini In-Dash	1
5	7870000100	Switch Panel - 3 Function, In-Dash	1
6	7870000015	Switch Panel - 5 Function, In-Dash	1
7	7870000053	Switch Panel - 3 Function, Under Dash	1
8	7870000063	Switch Panel - 5 Function, Under Dash	1
9	7870000089	Switch Panel - 5 Function	1
10	7870000076	Switch Panel - 3 Function, In-Dash for IHC4300/4400	1

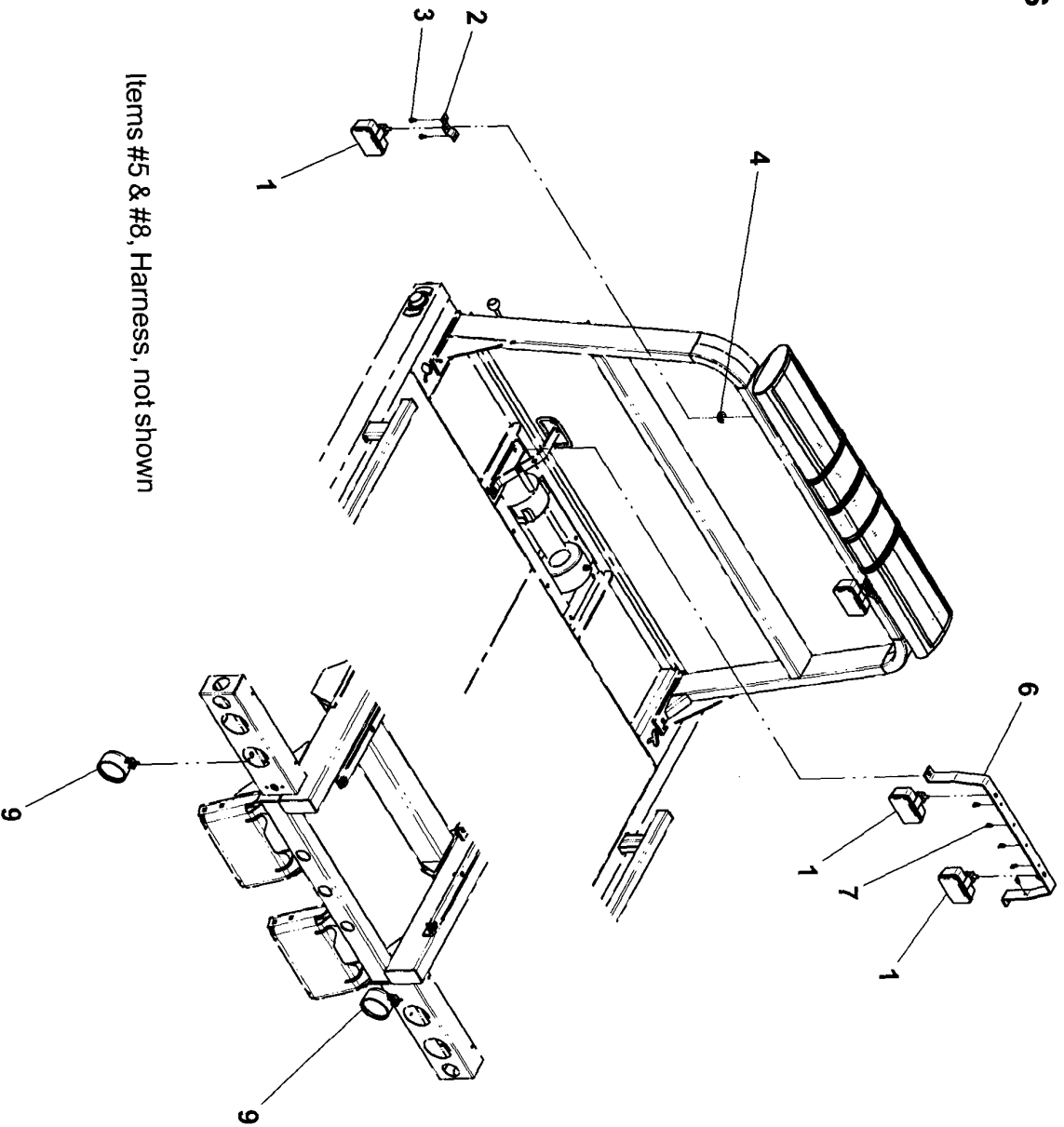
SWITCH PANELS



WORK LIGHTS

ITEM	PART NO.	DESCRIPTION	QTY
1	7590000223	Worklight	4
2	4178000402	Bracket	2
3	7790151253	Screw, 0.31"-18NC x 0.75	4
4	7493000003	Grommet	2
5	7552000222	Harness - Headboard Worklights	1
6	4178000423	Bracket	1
7	7280000011	Clip	6
8	7552000166	Harness - Winch Worklights	1
9	7590000185	Worklight	2

WORK LIGHTS

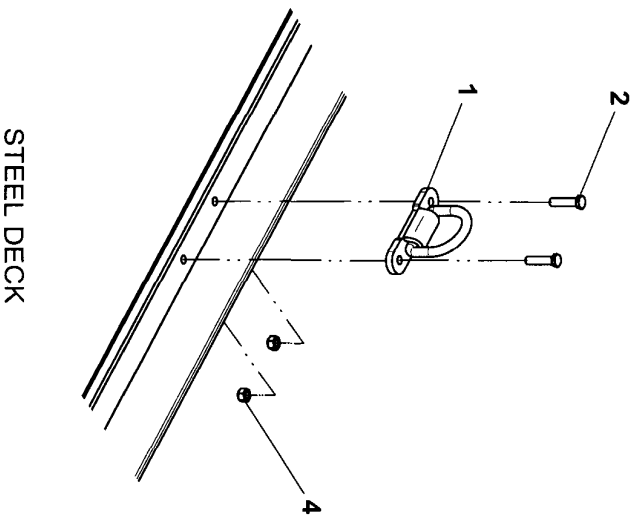
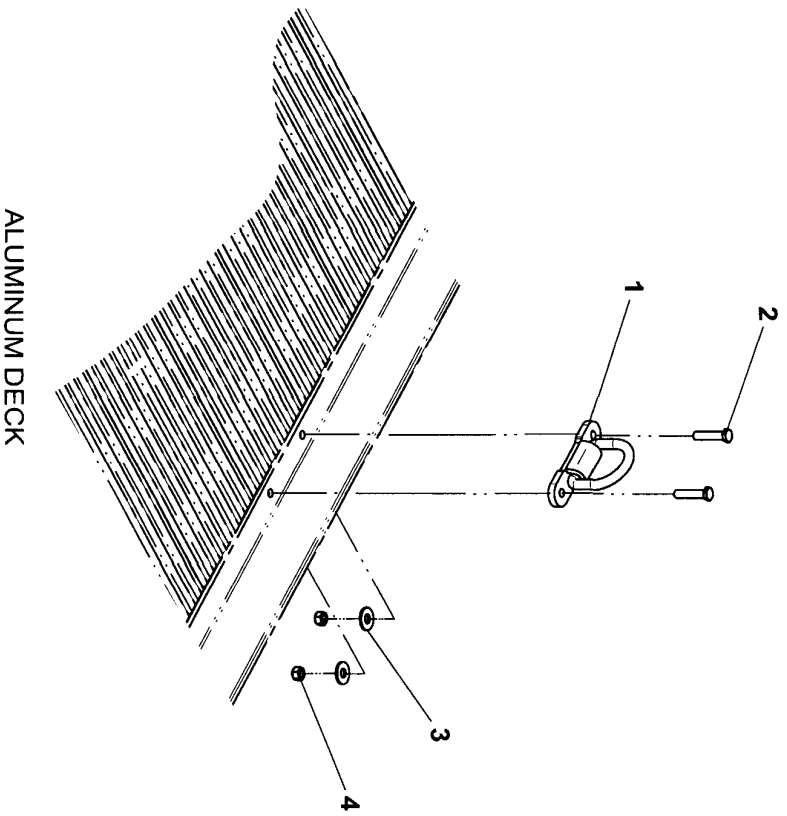


Items #5 & #8, Harness, not shown

BOLT-ON D-RINGS

ITEM	PART NO.	DESCRIPTION	QTY
1	3556000019	D-Ring	1
2	7115182050	Capscrew, 0.50"-13NC x 2.50"	2
3	7950180161	Flatwasher, 0.50" ID (aluminum decks only)	2
4	7660182601	Locknut, 0.50"-13NC	2

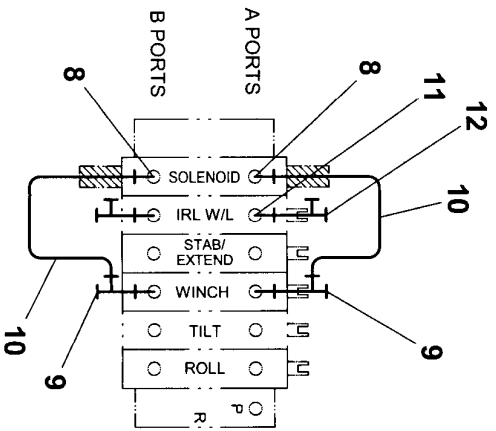
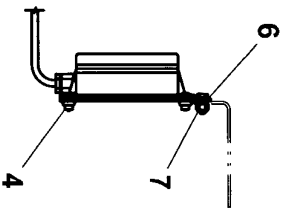
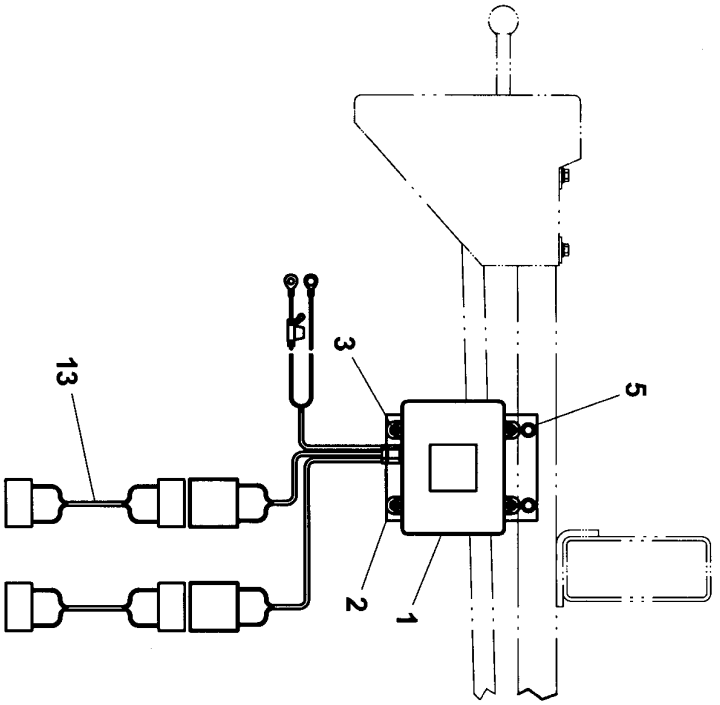
BOLT-ON D-RINGS



REMOTE WINCH

ITEM	PART NO.	DESCRIPTION	QTY
1	7295000097	Controller	1
2	4706003650	Plate	1
3	7104100613	Screw, #10-32NF x 0.34"	4
4	7661000007	Wellnut, #10-32NF	4
5	7115140650	Capscrew, 0.25"-20NC x 0.75"	2
6	7950140141	Flatwasher, 0.25" ID	2
7	7660142601	Locknut, 0.25"-20NC	2
8	7445081043	Adapter	2
9	7445080848	Tee	2
10	4567132018	Hose Assy	2
11	7445060845	Elbow	2
12	7443000030	Tee	2
13	7346000191	Jumper	2

REMOTE WINCH

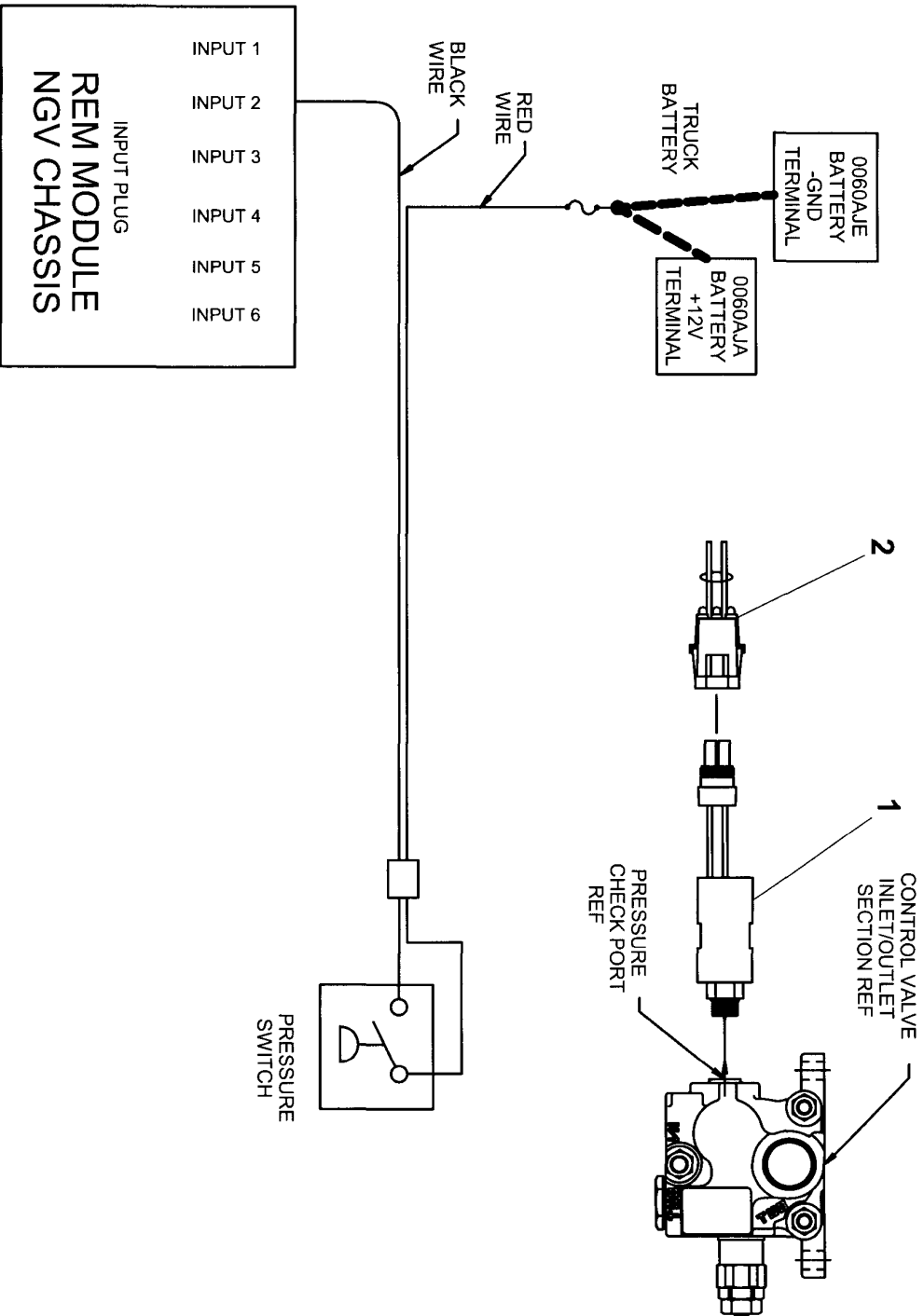


HYDRAULIC SYSTEM COMPONENTS

REMOTE THROTTLE CONTROL

ITEM	PART NO.	DESCRIPTION	QTY
1	7346000156	Pressure Switch	1
2	7552000241	Harness	1

REMOTE THROTTLE CONTROL

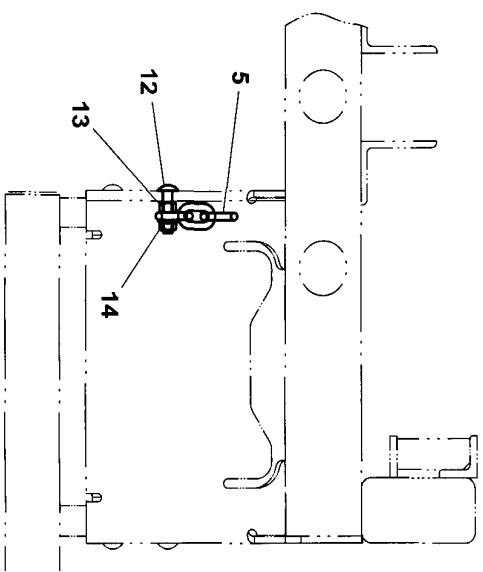
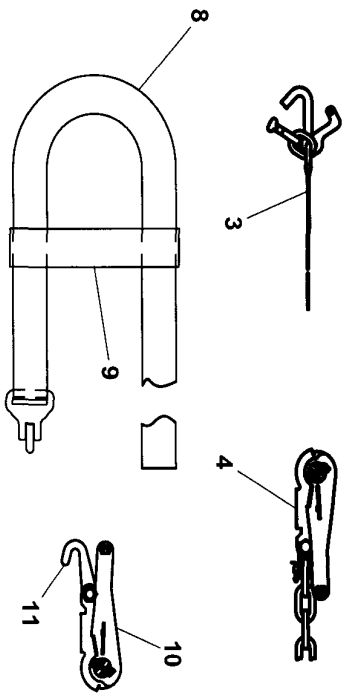
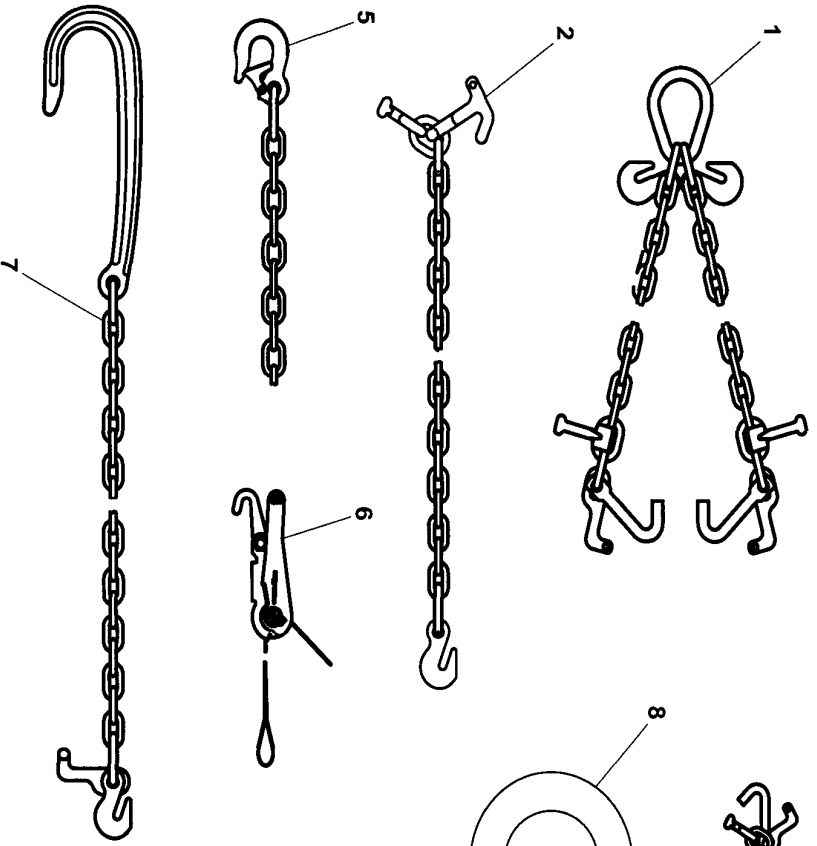


CHAIN AND STRAPS

ITEM	PART NO.	DESCRIPTION	QTY
1	7262000022*	Winch V-Chain	1
2	7262000056*	Front Tie-Down Chain	2
3	7894000019*	Rear Tie-Down Strap	2
4	7894000020*	Rear Tie Down Ratchet	2
5	7262000040	Wheel Lift Chain	2
6	7894000034	Wheel Lift Tire Strap	2
7	7262000010	Towbar Chain	2
8	7894000058 ^v	Tire Strap (auto grid)	1
9	7894000059 ^v	Choker (auto grid)	1
10	7894000028 ^v	Ratchet (auto grid)	1
11	7561000024 ^v	Forged Hook (auto grid)	1
12	7115181664	Carriage Bolt, 0.50"-13NC x 2.00"	2
13	7660180001	Nut, 0.50"-13NC	2
14	7660182601	Locknut, 0.50"-13NC	2

* also available in Deck Chain / Tie-Down Kit, P/N 7577000208
^v also available in Auto Grid Wheel Lift Tie-Down Kit, P/N 7577000376

CHAIN AND STRAPS

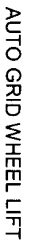
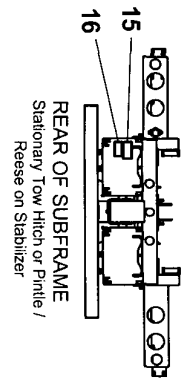
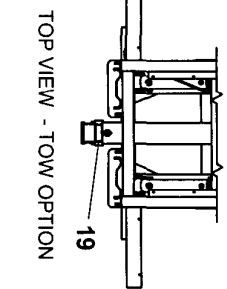
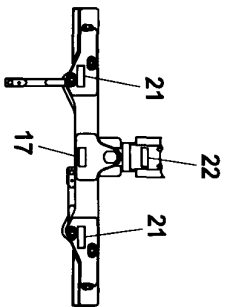
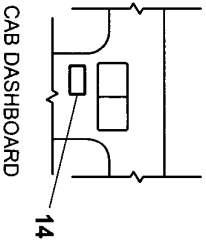
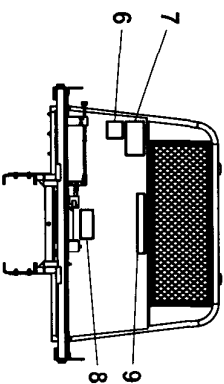
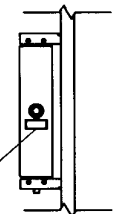
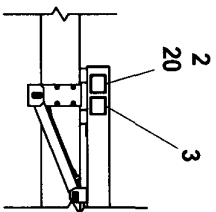
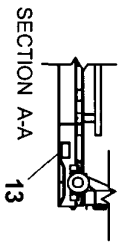
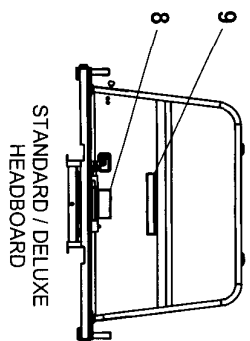
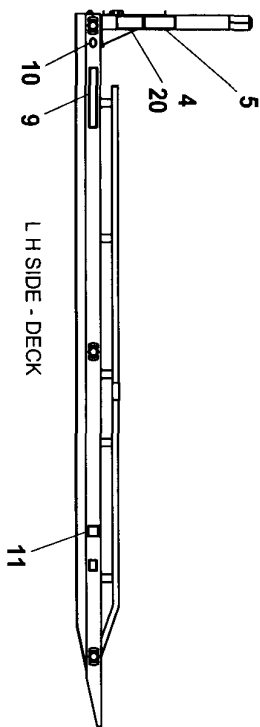
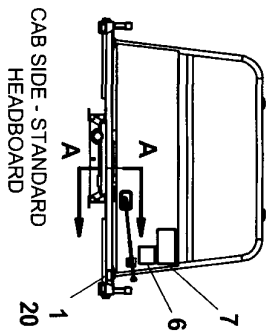


CHAIN BOX AT REAR OF SUBFRAME

DECALS

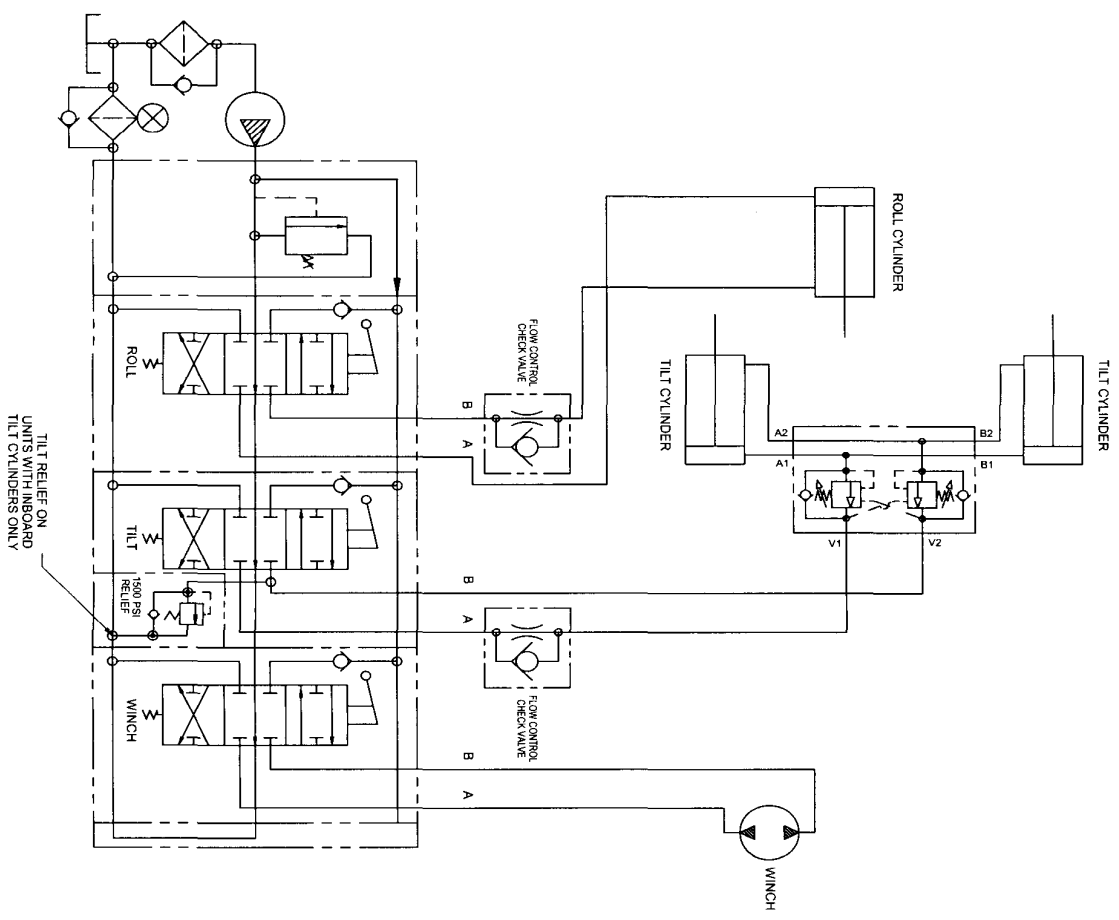
ITEM	PART NO.	DESCRIPTION	QTY
1	7330000167	Serial Number Tag	1
2	7330000338	Subframe / Patent Tag	1
3	7330000502	Decal - Slide Pad / Pivot Joint	1
4	7330000159	STAR Placard	1
5	7330000275	Decal - Operator's Pre-Checklist	1
6	7330000242	Decal - Free Spool (bolt-on headboard)	1
7	7330000495	Decal - Free Spool (stationary headboard)	1
8	7330000478	Decal - Lubrication Chart	1
9	7330000012	Decal - Winch	1
10	7330000433	Jerr-Dan Nameplate	3
11	7330000143	Decal - Made In The USA	2
12	7330000044	Decal - Align Arrow, Red	2
13	7330000045	Decal - Align Arrow, White	2
14	7330000272	Decal - Oil Level	1
15	7330000330	Decal - Cable Track	1
16	7330000139	Decal - Checklist Reminder	1
17	7330000274	Decal - Overloading Tow Option	1
18	7330000165	Decal - Boom Damage	1
19	7330000036	Decal - Secure Vehicle	2
20	7330000060	Decal - Wheel Lift Hitch	1
21	7330000391	Decal - Tow Boom Configuration	1
22	7759000004	Pop Rivet	12
	7330000004	Decal - Moving Parts	2
	7330000037	Decal - Wheel Lift	1
	7330000122	Decal - Wheel Lift	1

DECALS

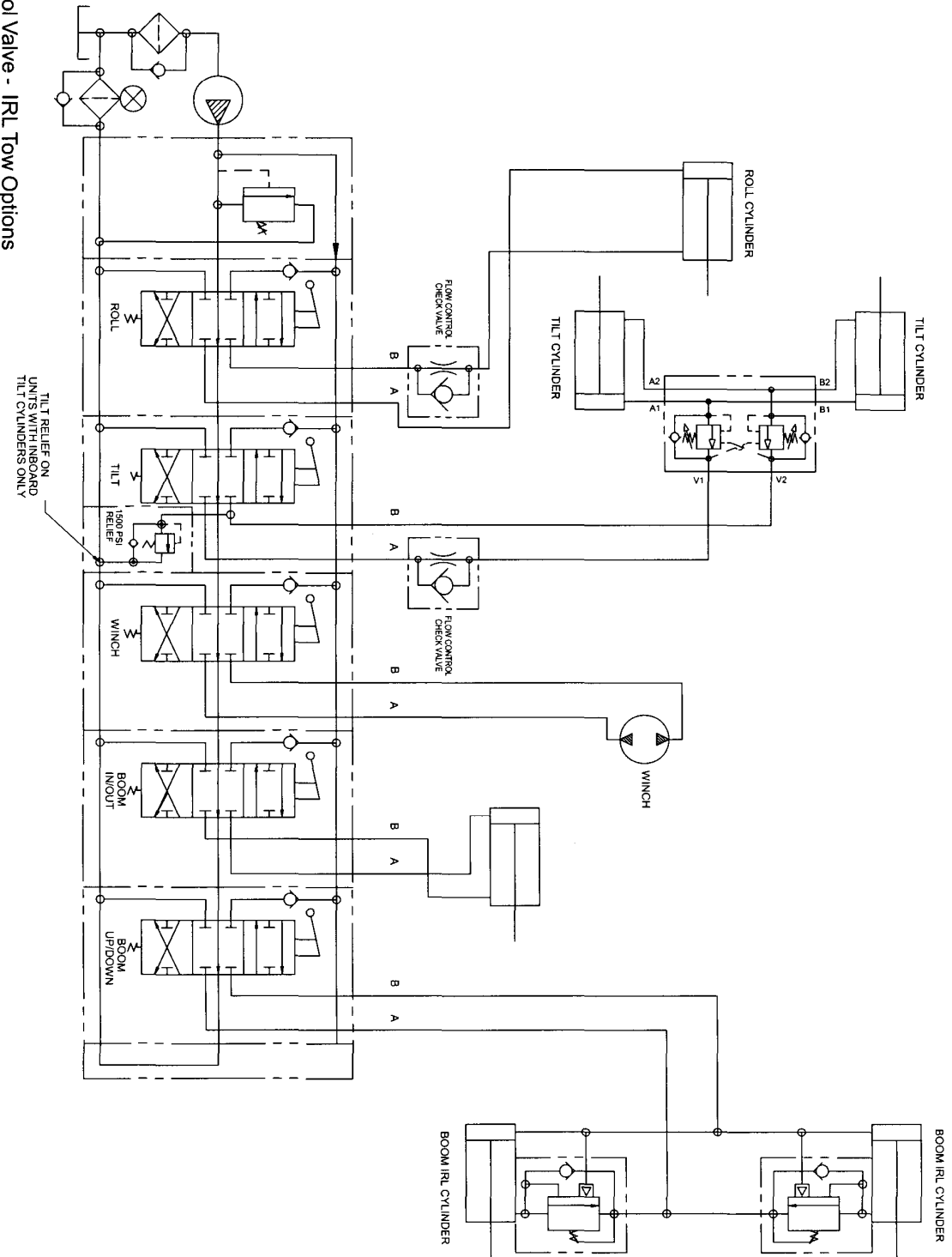


HYDRAULIC SCHEMATIC

3 Bank Control Valve - No Tow Options



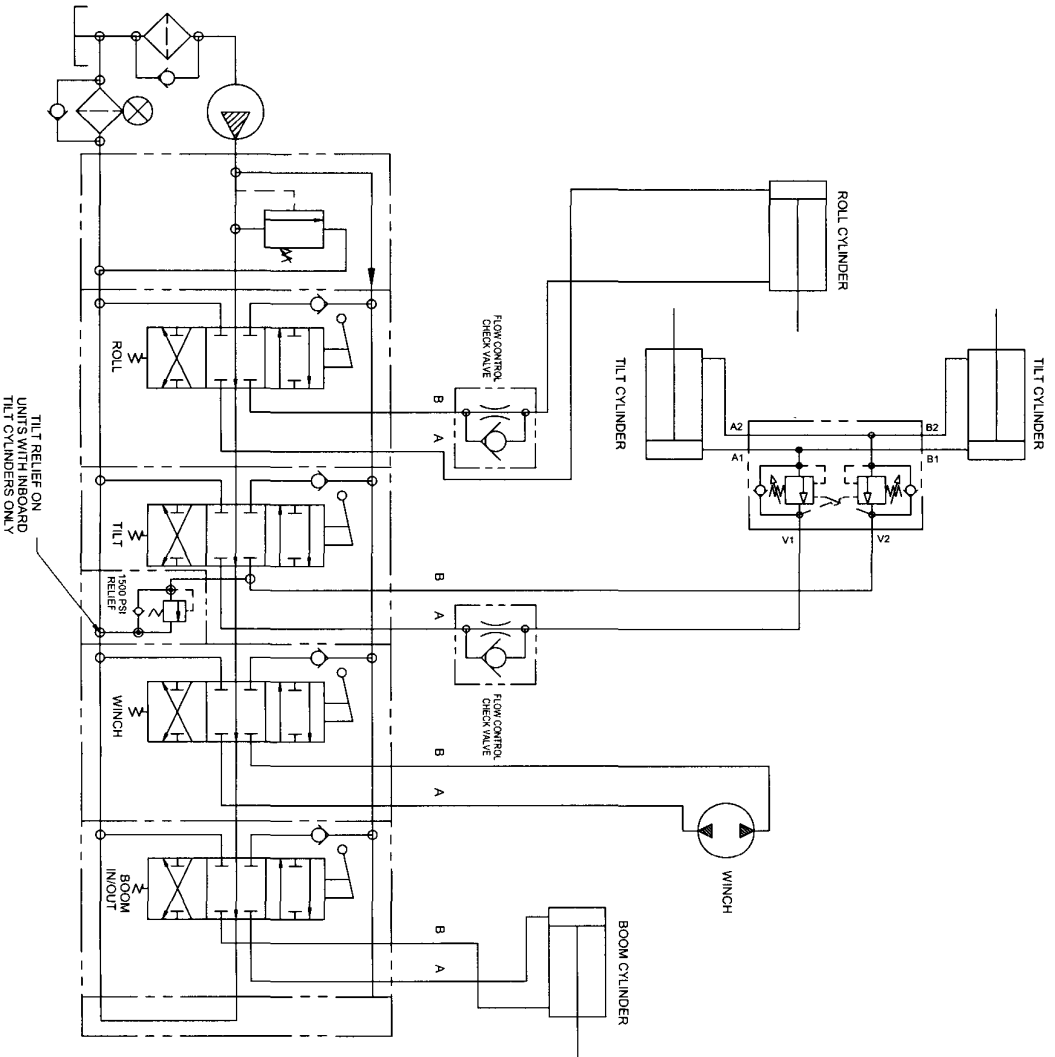
HYDRAULIC SCHEMATIC



5 Bank Control Valve - IRL Tow Options

TILT RELIEF ON
UNITS WITH INBOARD
TILT CYLINDERS ONLY

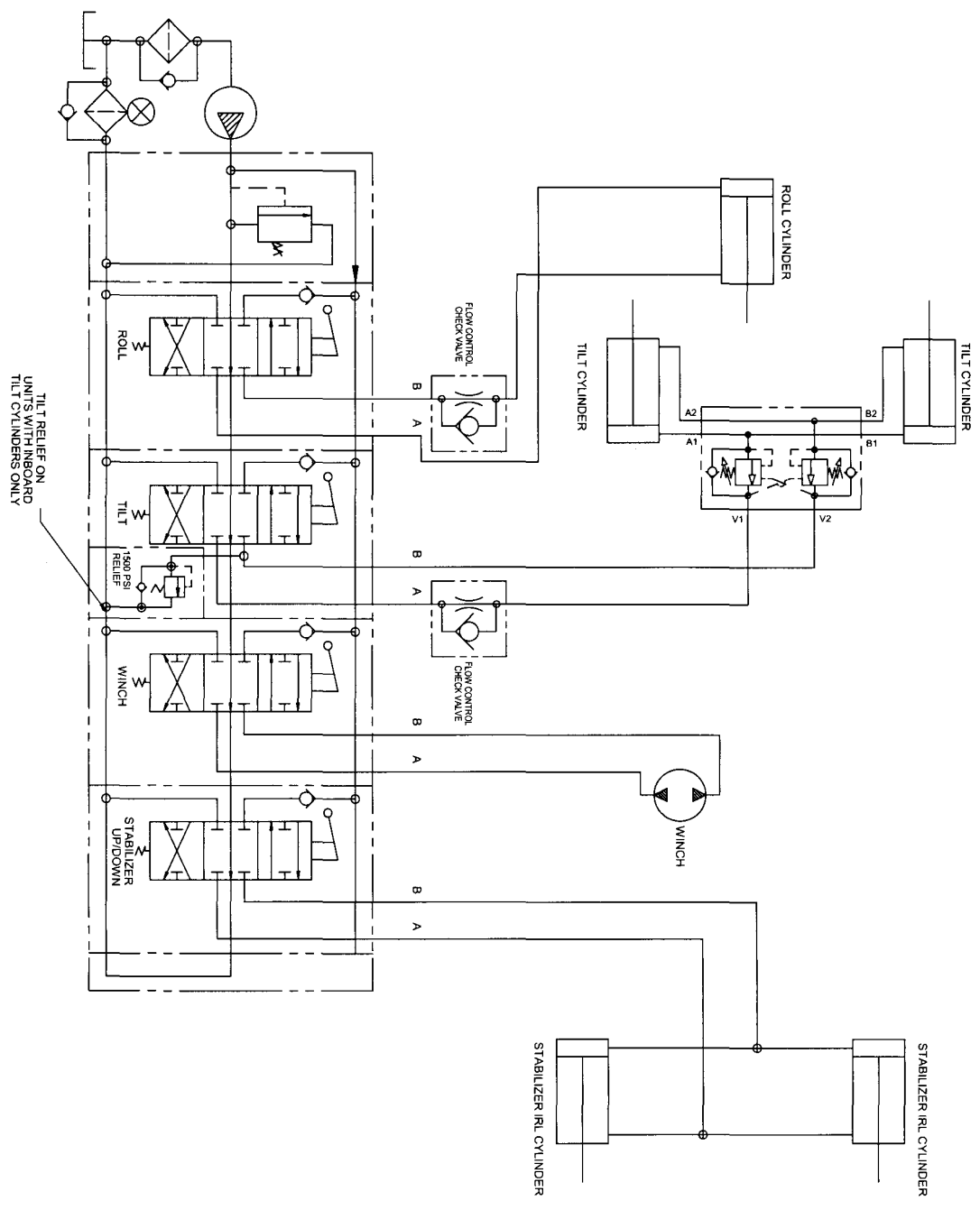
HYDRAULIC SCHEMATIC



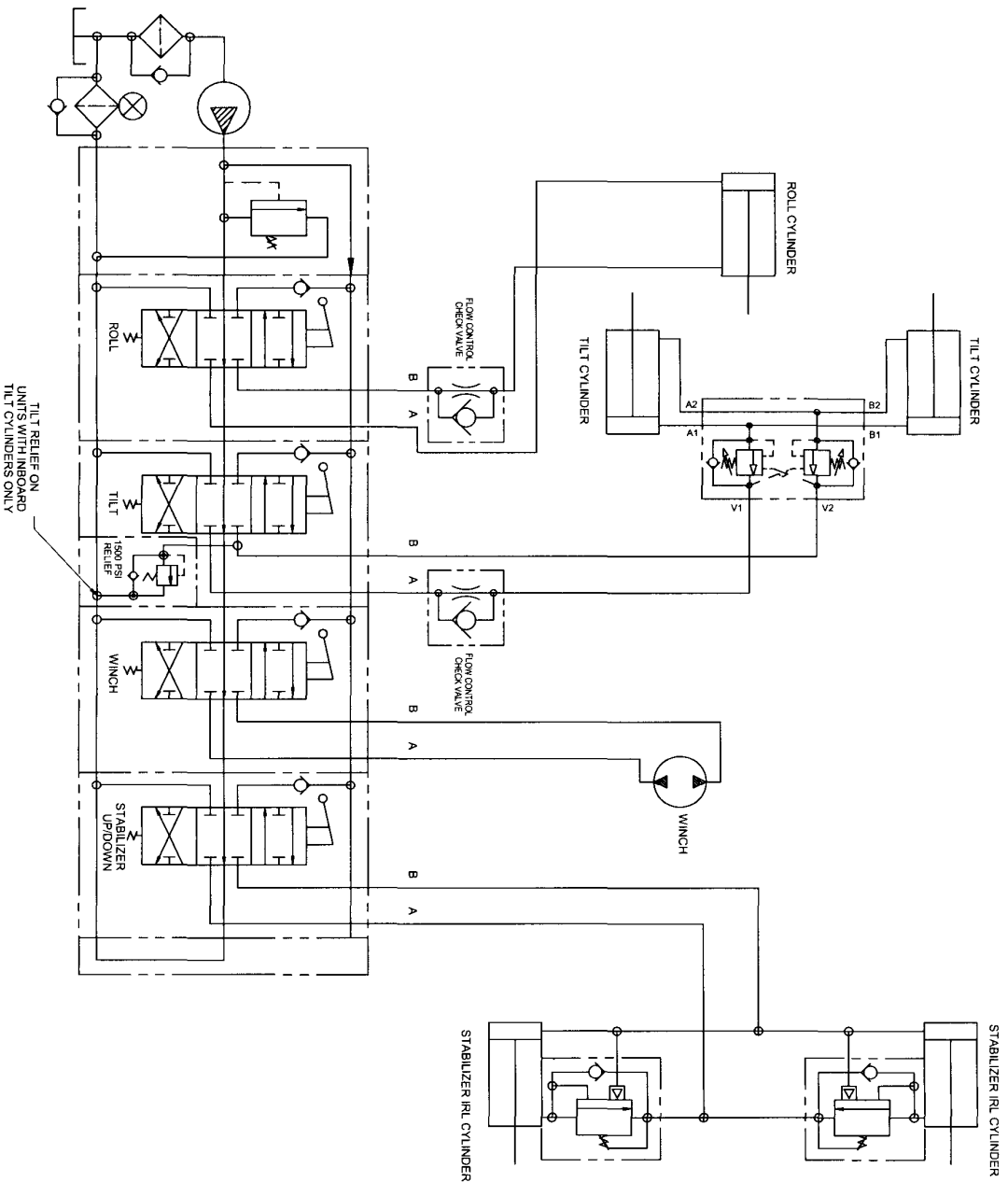
4 Bank Control Valve - Hydraulic Extended Boom Tow Options

HYDRAULIC SCHEMATIC

4 Bank Control Valve - Stabilizer Option



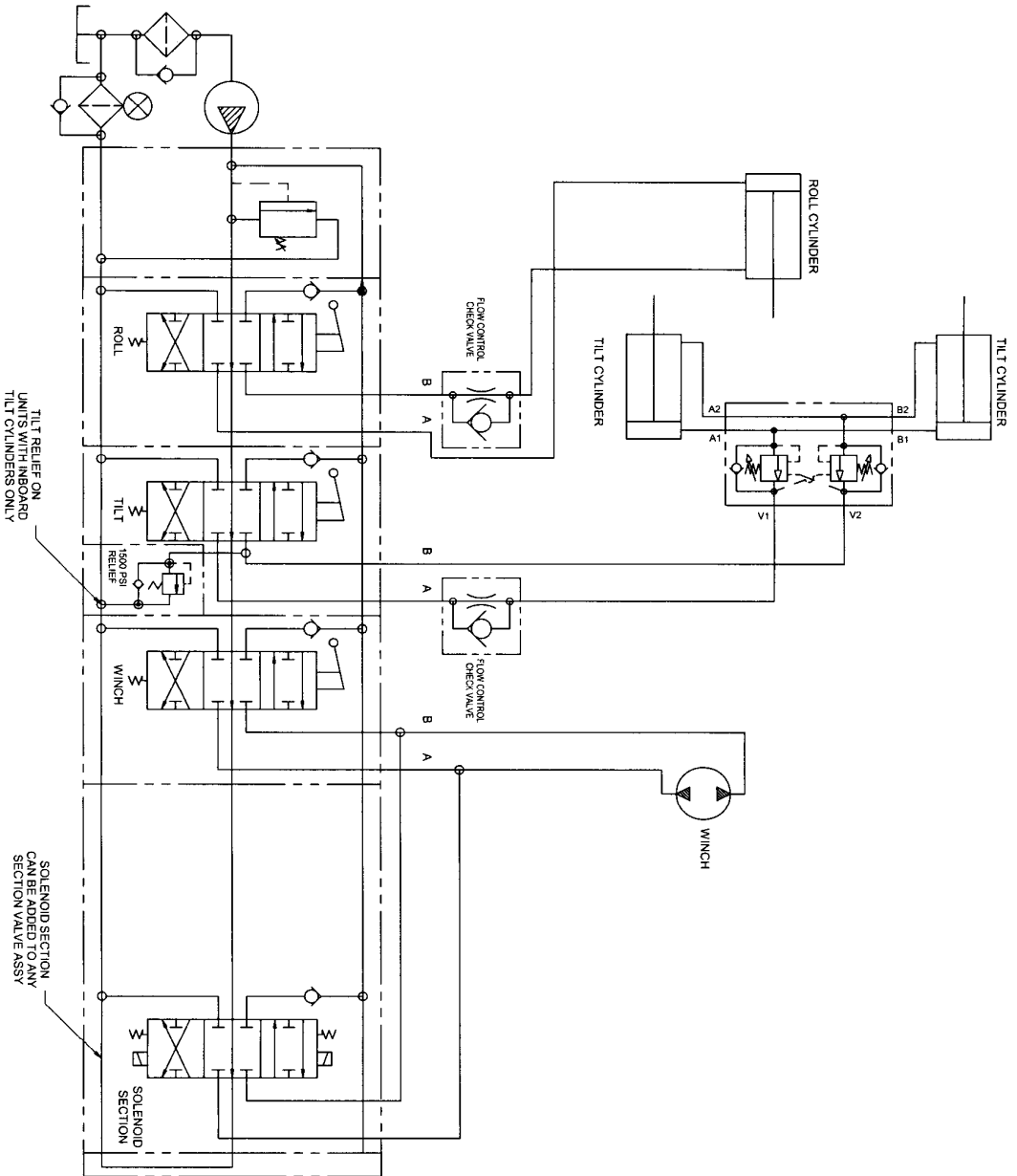
HYDRAULIC SCHEMATIC



4 Bank Control Valve - Stabilizer with Tow Options

TILT RELIEF ON
UNITS WITH INBOARD
TILT CYLINDERS ONLY

HYDRAULIC SCHEMATIC



3 + 1 Bank Control Valve - Solenoid Section for Remote Control Winch

